



US00D461635S

(12) **United States Design Patent**  
**Sharples**

(10) **Patent No.:** **US D461,635 S**

(45) **Date of Patent:** **\*\* Aug. 20, 2002**

(54) **WHEELED CARGO ORGANIZER**

(75) Inventor: **Keith Sharples**, Liberty, MO (US)

(73) Assignee: **Lifestyle International, Inc.**, Secaucus, NJ (US)

(\*\*) Term: **14 Years**

(21) Appl. No.: **29/148,940**

(22) Filed: **Sep. 28, 2001**

(51) **LOC (7) Cl.** ..... **03-01**

(52) **U.S. Cl.** ..... **D3/279; D3/289; D3/301**

(58) **Field of Search** ..... **D3/273, 276, 279, D3/283, 285, 289, 301; 190/18 A, 100, 109, 111, 112, 113**

(56) **References Cited**

**U.S. PATENT DOCUMENTS**

D329,329 S	*	9/1992	Bomes et al.	.....	D3/279
D352,395 S	*	11/1994	King	.....	D3/279
D354,397 S	*	1/1995	Berman	.....	D3/279
D362,548 S	*	9/1995	King et al.	.....	D3/276
D374,773 S	*	10/1996	Domotor	.....	D3/276
D374,987 S	*	10/1996	Hughes	.....	D3/279
D383,604 S	*	9/1997	King et al.	.....	D3/279
D387,625 S	*	12/1997	Kai Fai	.....	D3/279
D395,361 S	*	6/1998	Zionts et al.	.....	D3/279
D410,777 S	*	6/1999	Pizzi et al.	.....	D3/279

\* cited by examiner

*Primary Examiner*—Philip S. Hyder

(74) *Attorney, Agent, or Firm*—Darby & Darby PC

(57) **CLAIM**

The ornamental design for a wheeled cargo organizer, as shown and described.

**DESCRIPTION**

FIG. 1 is a front perspective view of a wheeled cargo organizer according to my new design in a closed state;

FIG. 2 is a left side elevation view;

FIG. 3 is a rear perspective view;

FIG. 4 is a right side elevation view;

FIG. 5 is a front elevation view;

FIG. 6 is a rear elevation view;

FIG. 7 is a front plan view;

FIG. 8 is a rear plan view;

FIG. 9 is a front perspective view of the cargo organizer with the upper compartment in an open state; and,

FIG. 10 is a front perspective view of the cargo organizer with the lower compartment in an open state.

The broken lines depicting the logo, side handles, support ribs, wheels, zipper compartment enclosing a retractable handle and zipper tabs are for illustrative purposes only and form no part of the claimed design.

**1 Claim, 6 Drawing Sheets**

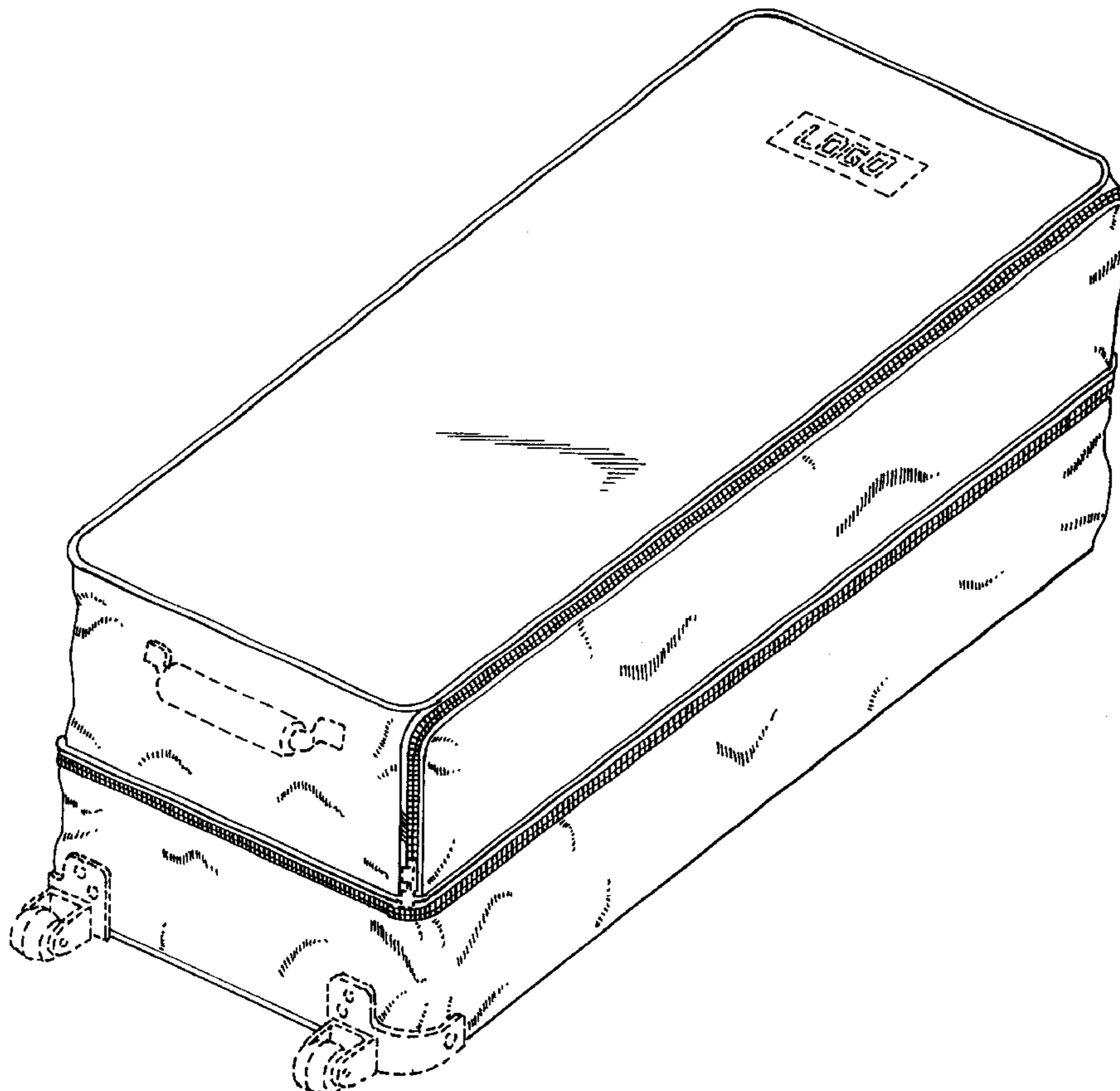


Fig. 1

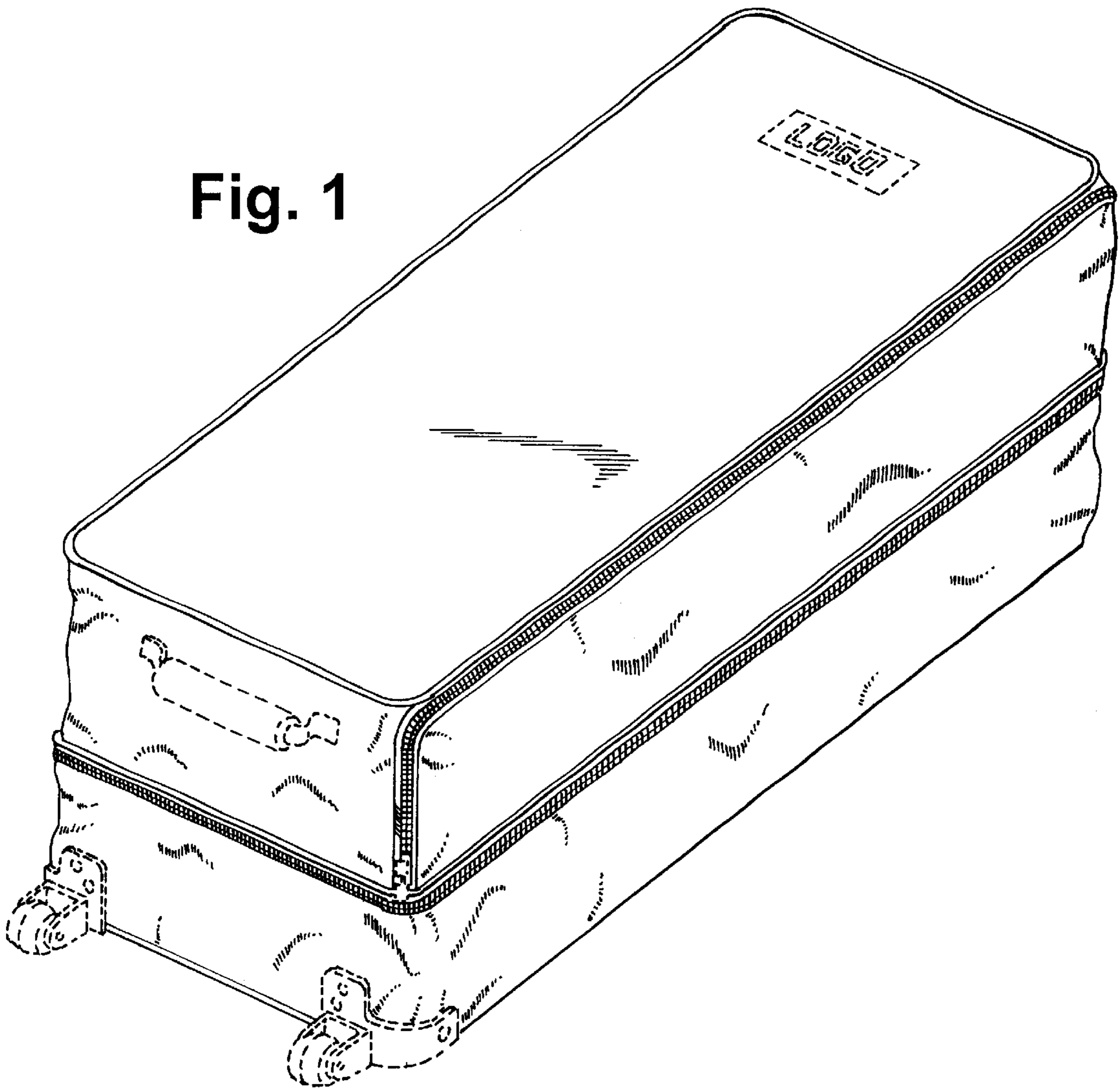
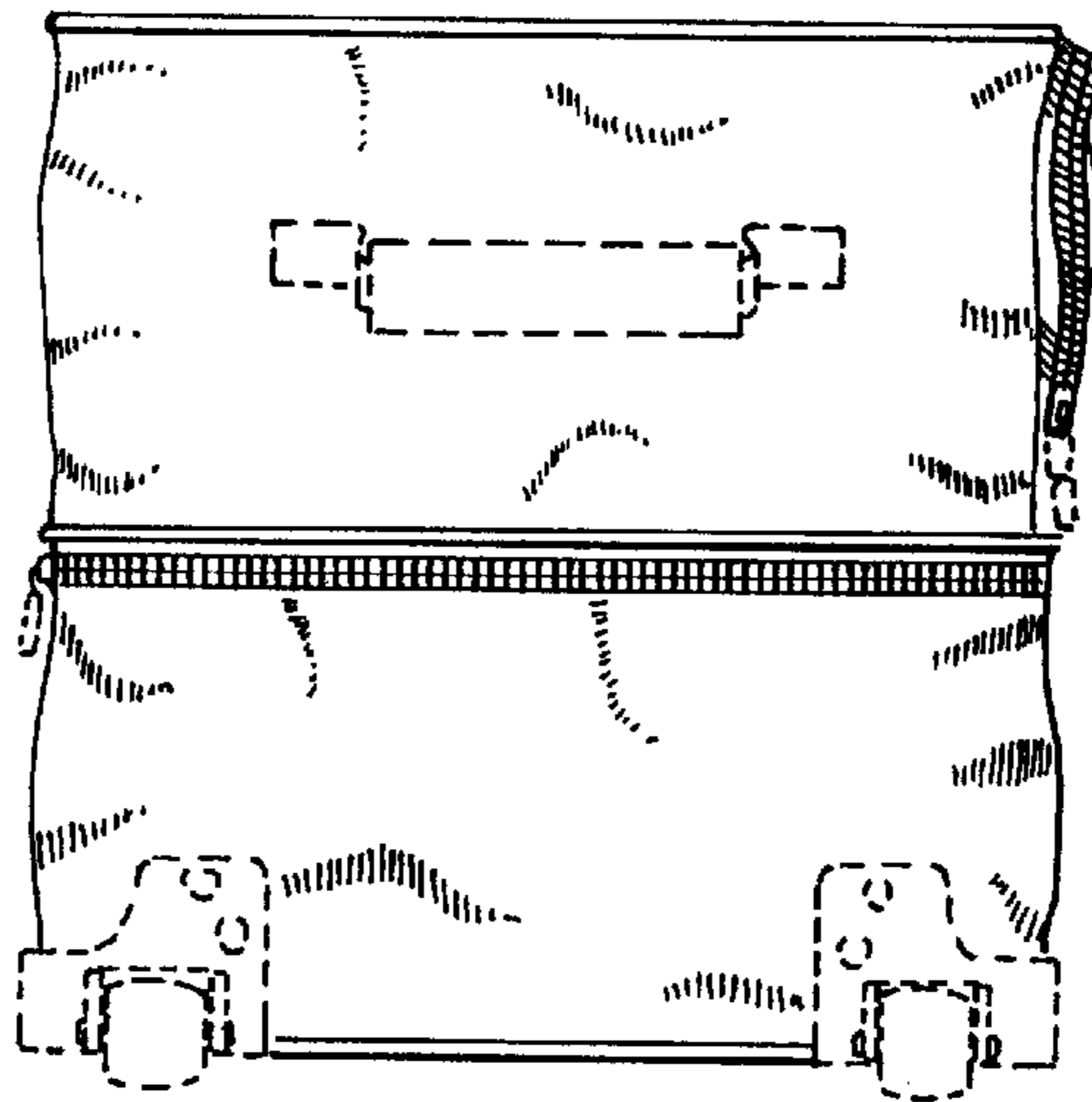
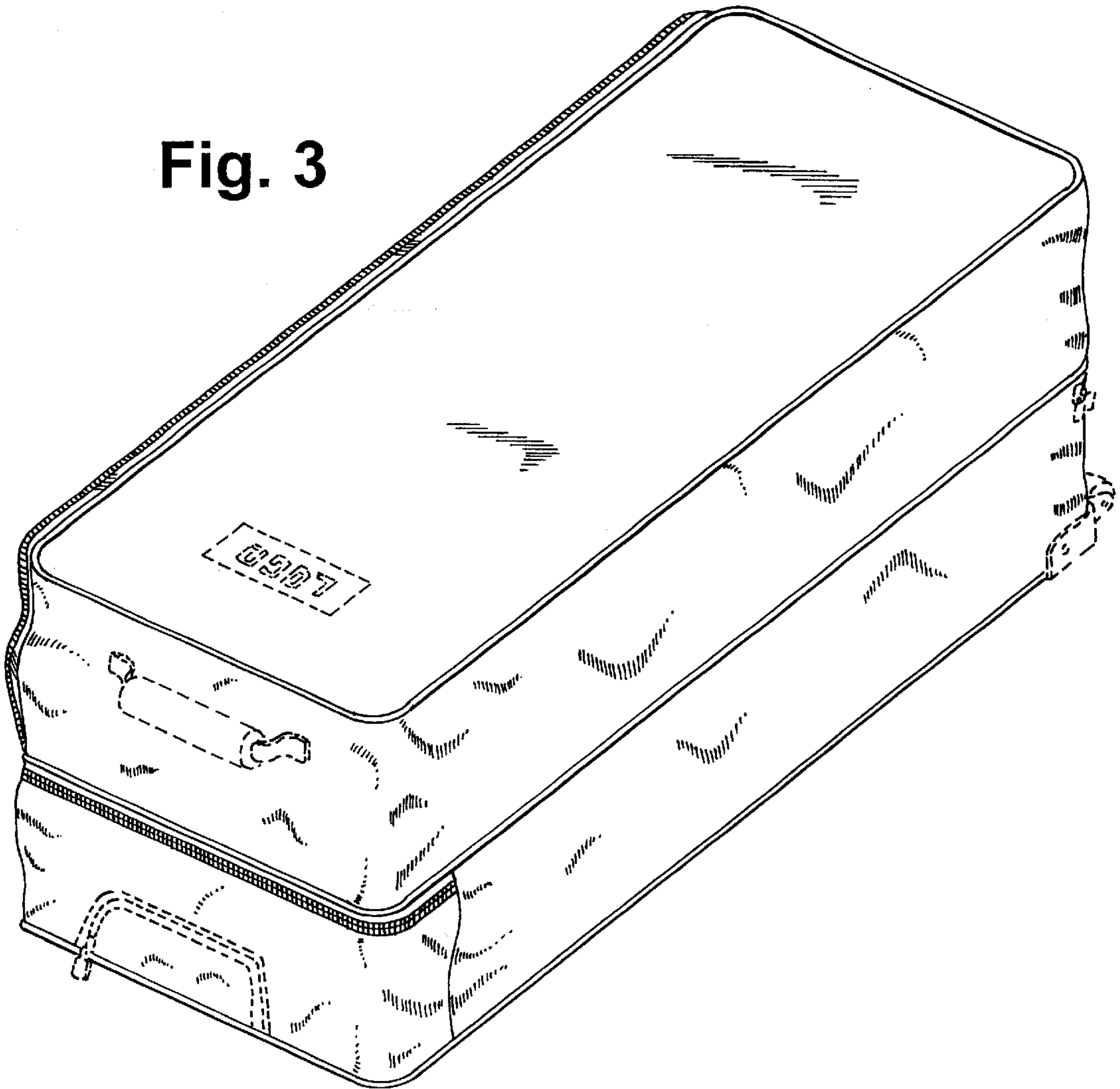


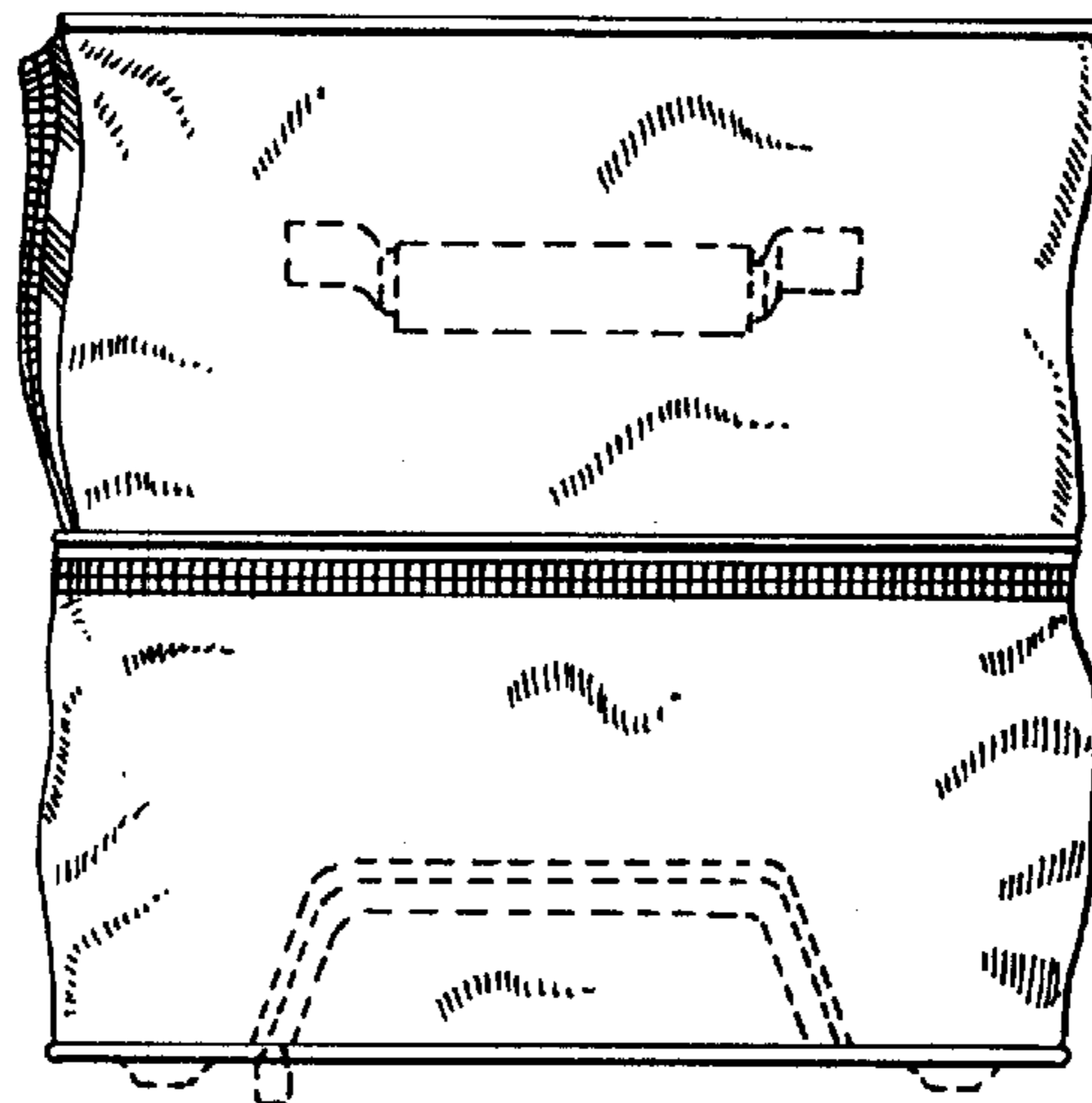
Fig. 2



**Fig. 3**



**Fig. 4**





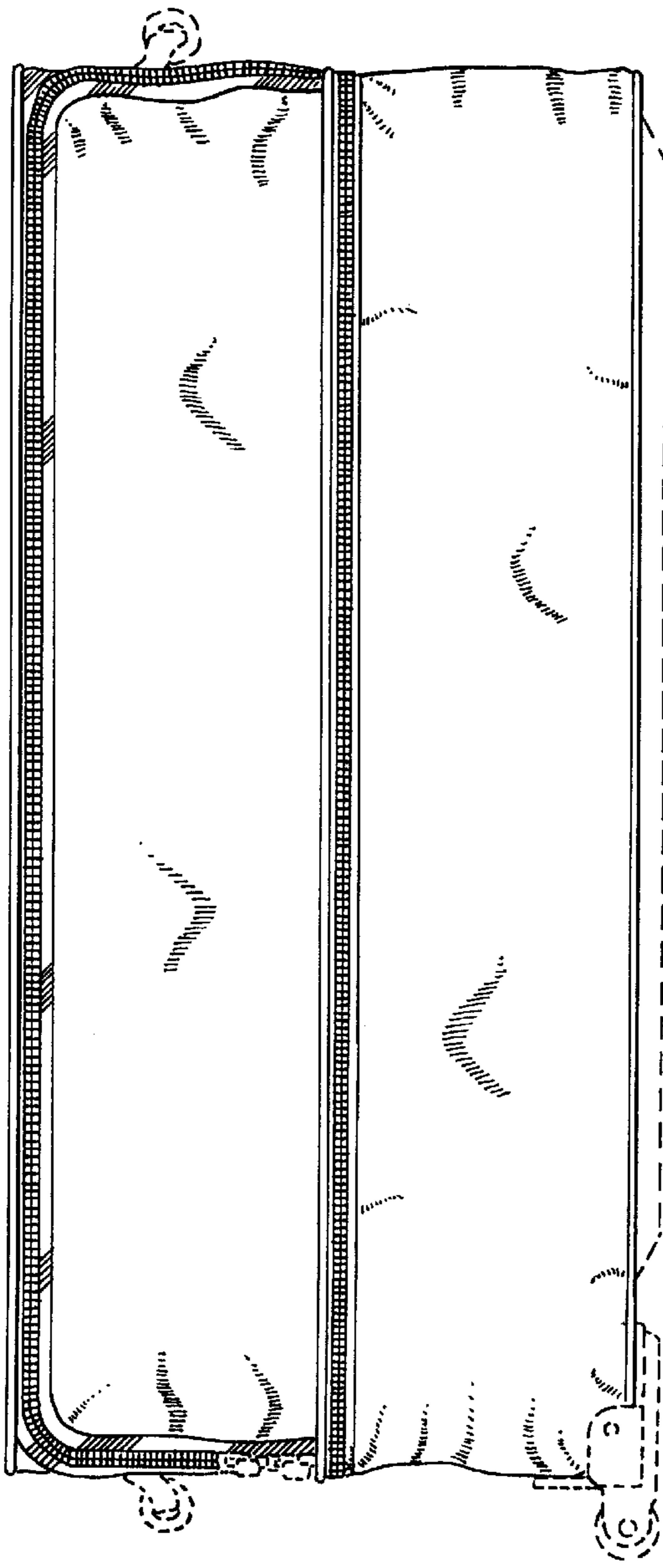


Fig. 5

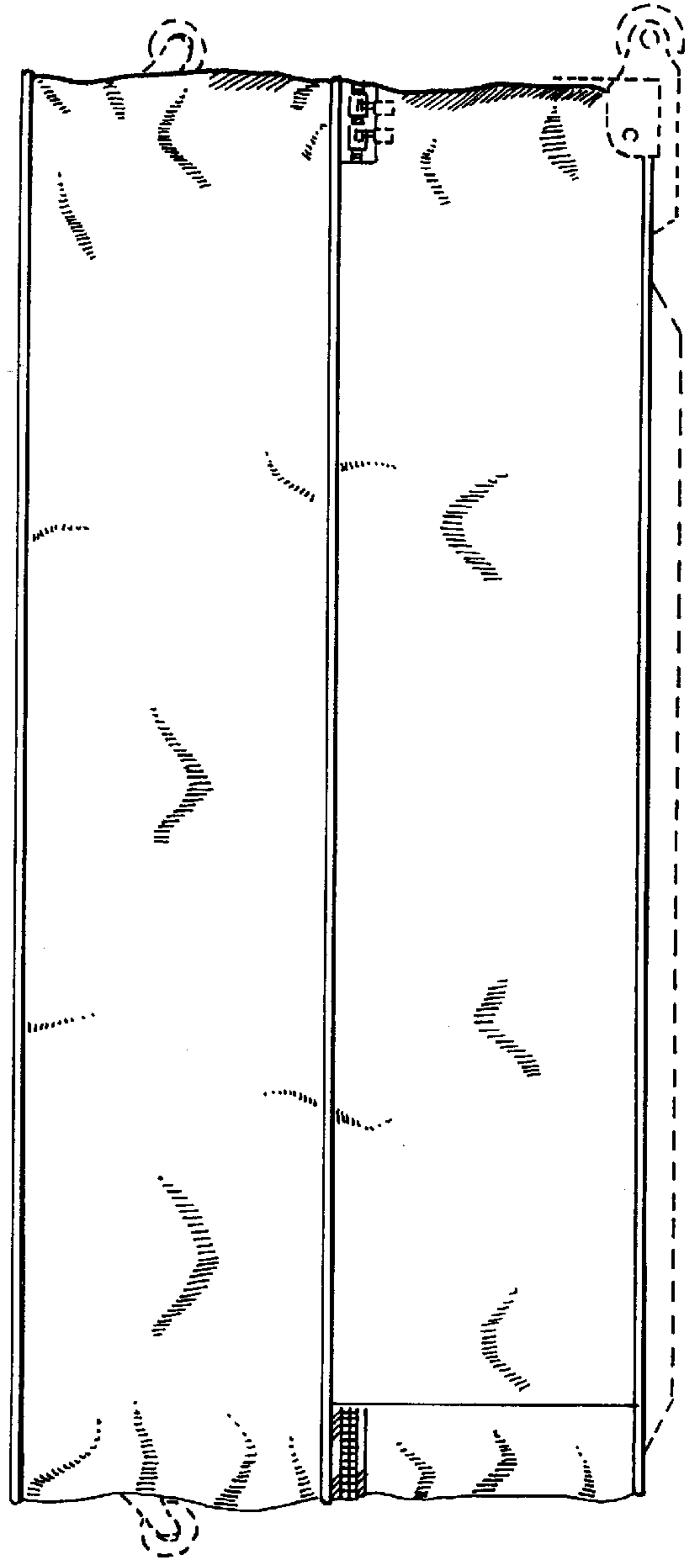
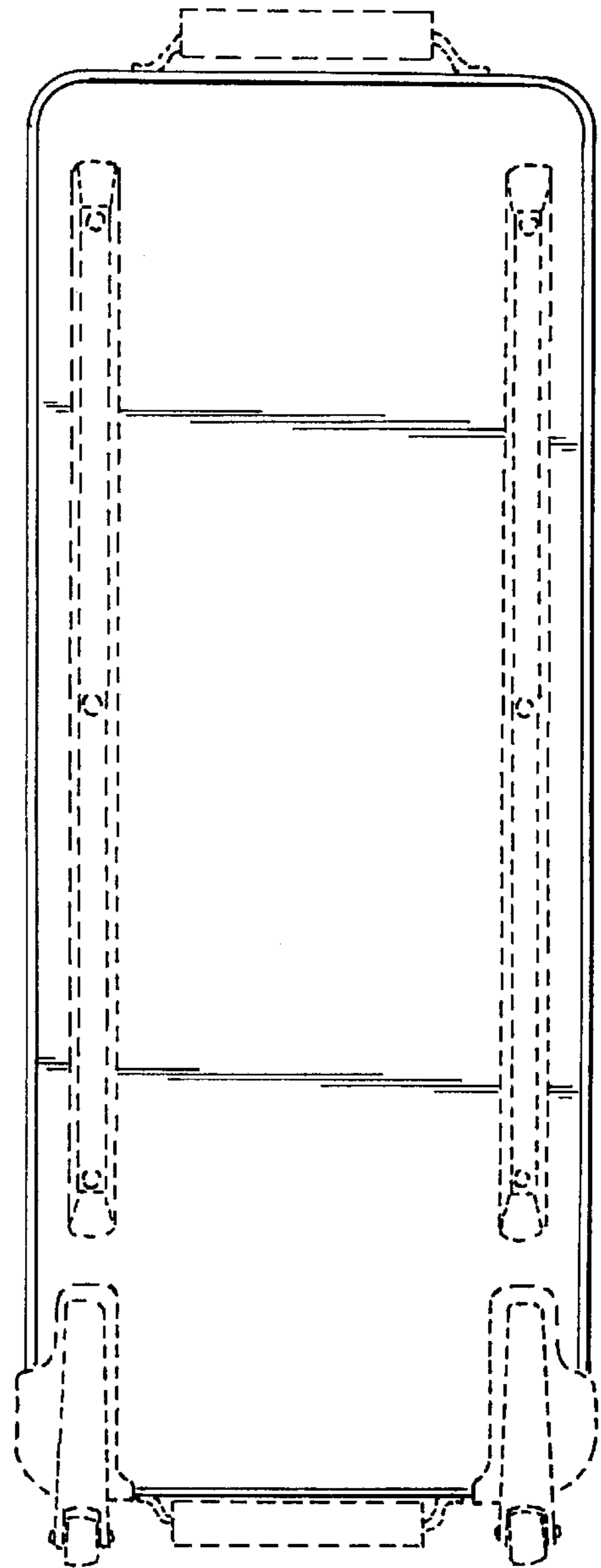
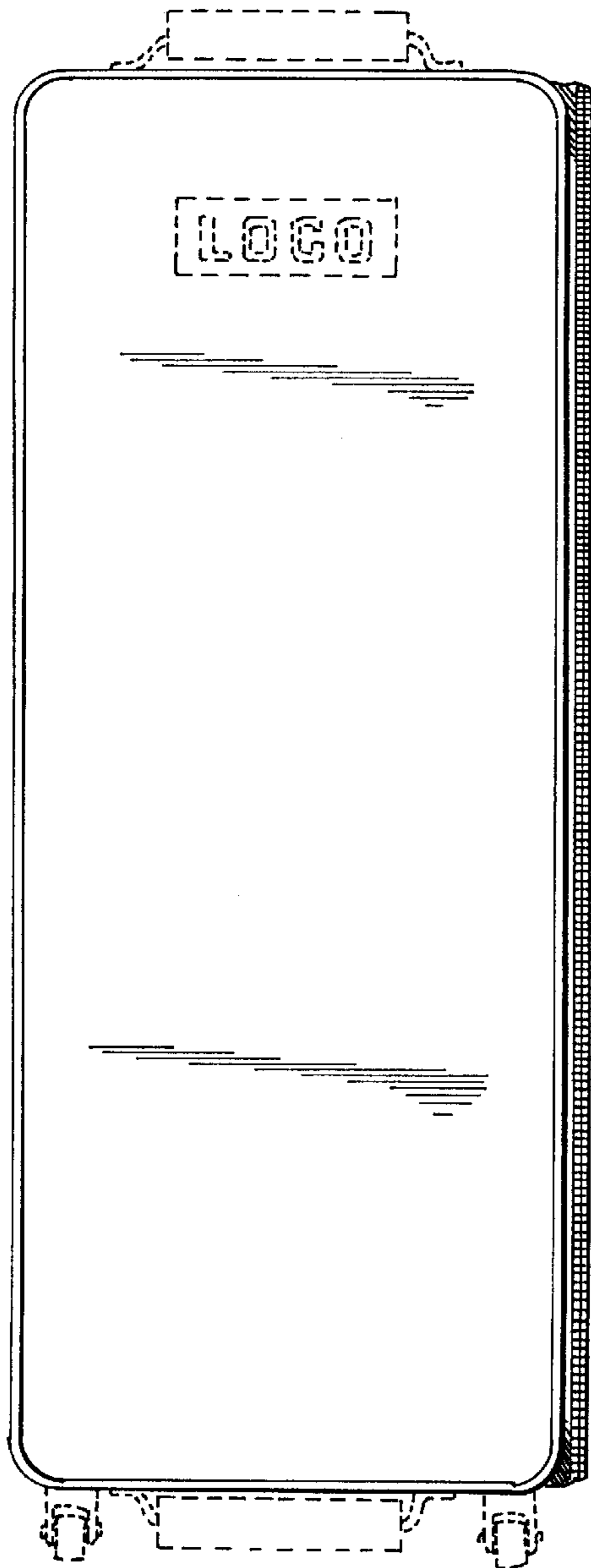


Fig. 6

**Fig. 7**



**Fig. 8**

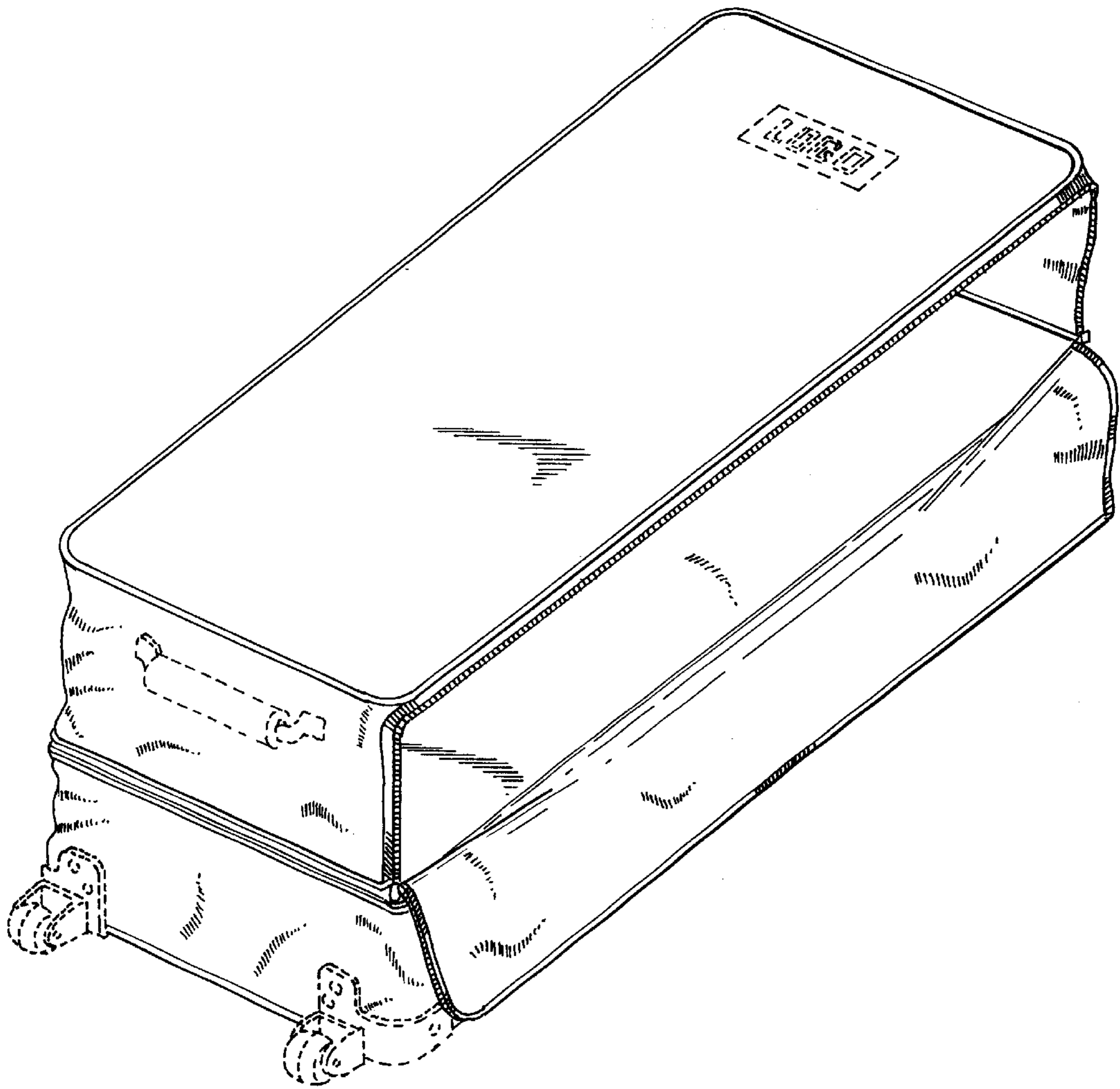


Fig. 9

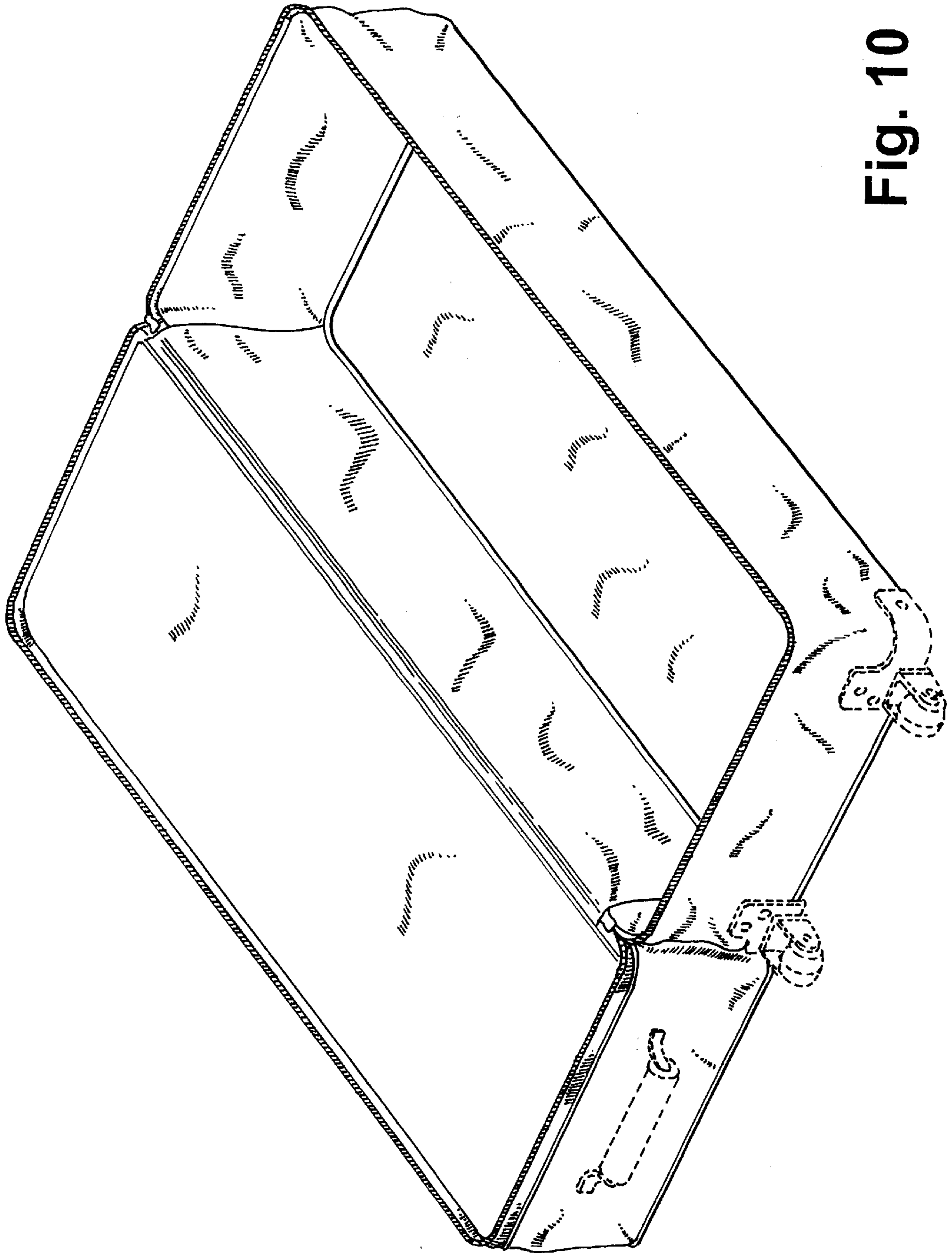


Fig. 10