



US00D461617S

(12) **United States Design Patent**
Gardner

(10) **Patent No.: US D461,617 S**

(45) **Date of Patent: ** Aug. 13, 2002**

(54) **SAFE**

(75) **Inventor: Peter Gardner, Orlando, FL (US)**

(73) **Assignee: Safemark Systems, Orlando, FL (US)**

(**) **Term: 14 Years**

(21) **Appl. No.: 29/153,158**

(22) **Filed: Jan. 4, 2002**

(51) **LOC (7) Cl. 25-02**

(52) **U.S. Cl. D99/28**

(58) **Field of Search** D99/28, 35; 109/45,
109/50, 59 R, 64, 249; 70/315, 432, 304;
312/347, 263; 220/8; D6/448; 232/4 R

(56) **References Cited**

U.S. PATENT DOCUMENTS

392,682 A * 11/1888 McNamara 220/8
D308,744 S * 6/1990 Arauchi D99/28
D319,329 S * 8/1991 Ogasawara et al. D99/28

D328,399 S * 8/1992 McGrory et al. D6/448

D335,378 S * 5/1993 Mariol D99/28

6,089,168 A * 7/2000 Dunlap et al. 109/59 R

* cited by examiner

Primary Examiner—Paula A. Mortimer

(74) *Attorney, Agent, or Firm*—Wallenstein & Wagner, Ltd.

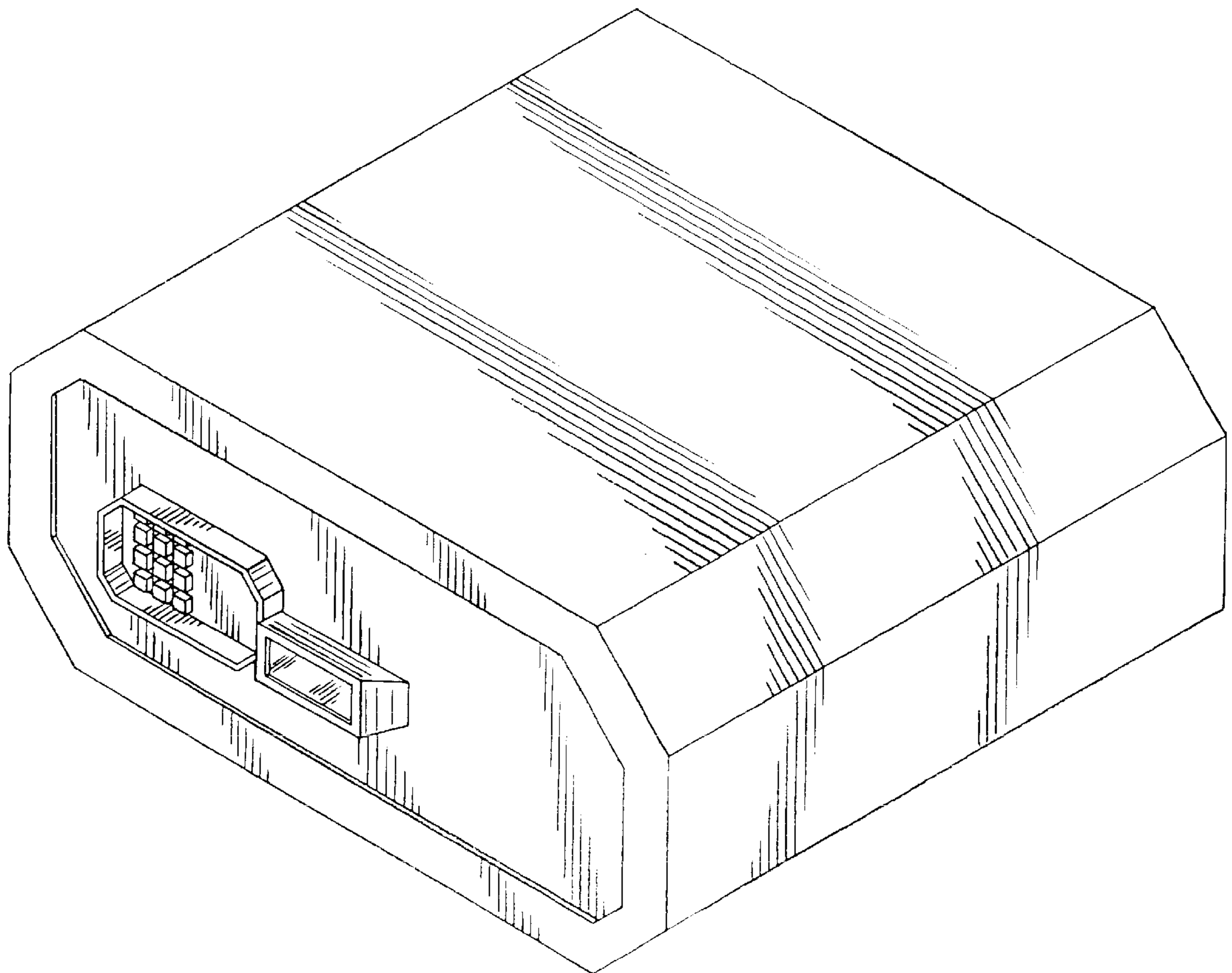
(57) **CLAIM**

I claim the ornamental design for a safe, as shown and described.

DESCRIPTION

FIG. 1 is a perspective view of the Design for a safe;
FIG. 2 is an elevational view of the front of the safe;
FIG. 3 is an elevational view of the top of the safe;
FIG. 4 is an elevational view of the left side of the safe;
FIG. 5 is an elevational view of the right side of the safe;
FIG. 6 is an elevational view of the back of the safe; and,
FIG. 7 is an elevational view of the bottom of the safe.

1 Claim, 4 Drawing Sheets



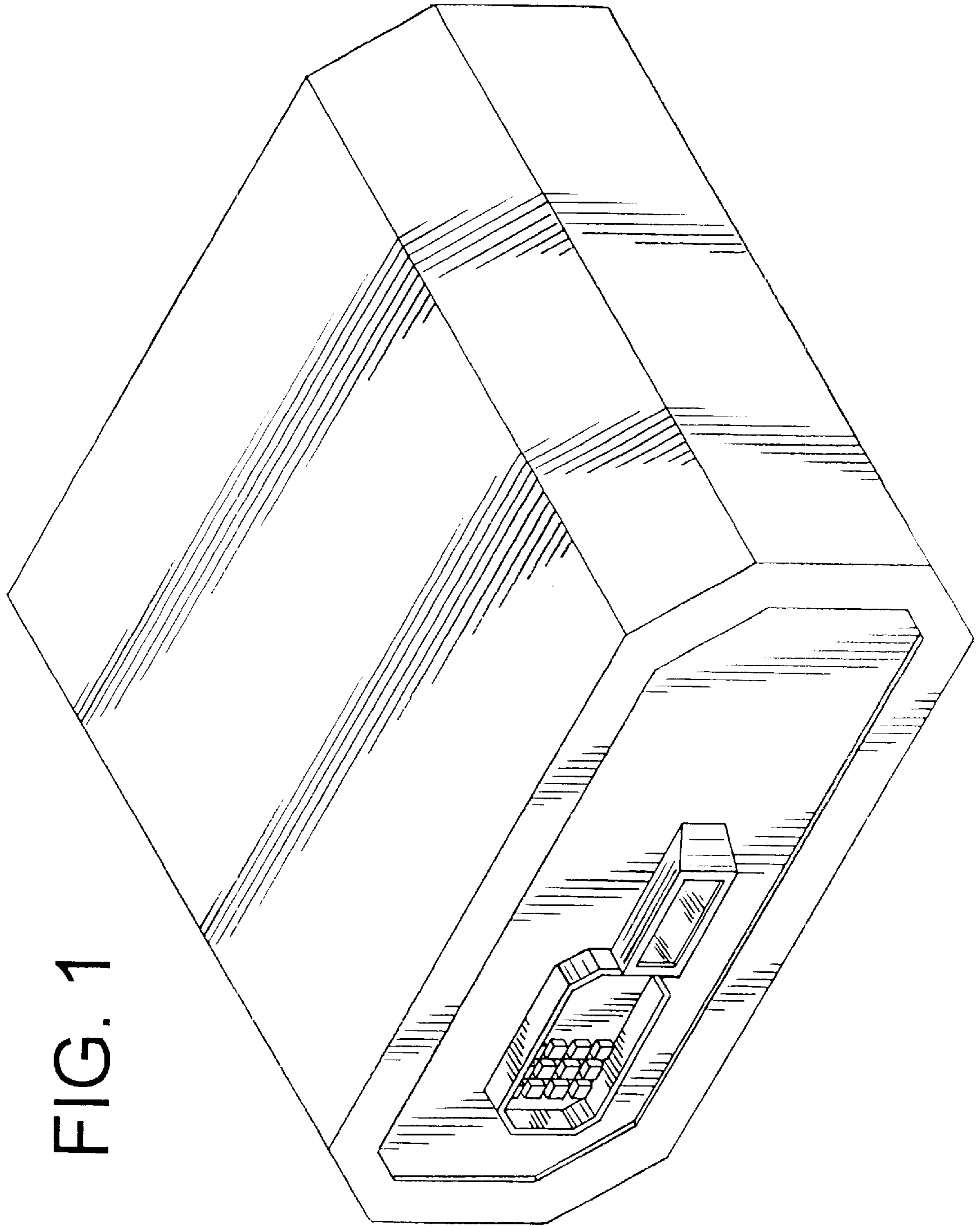


FIG. 1

FIG. 2

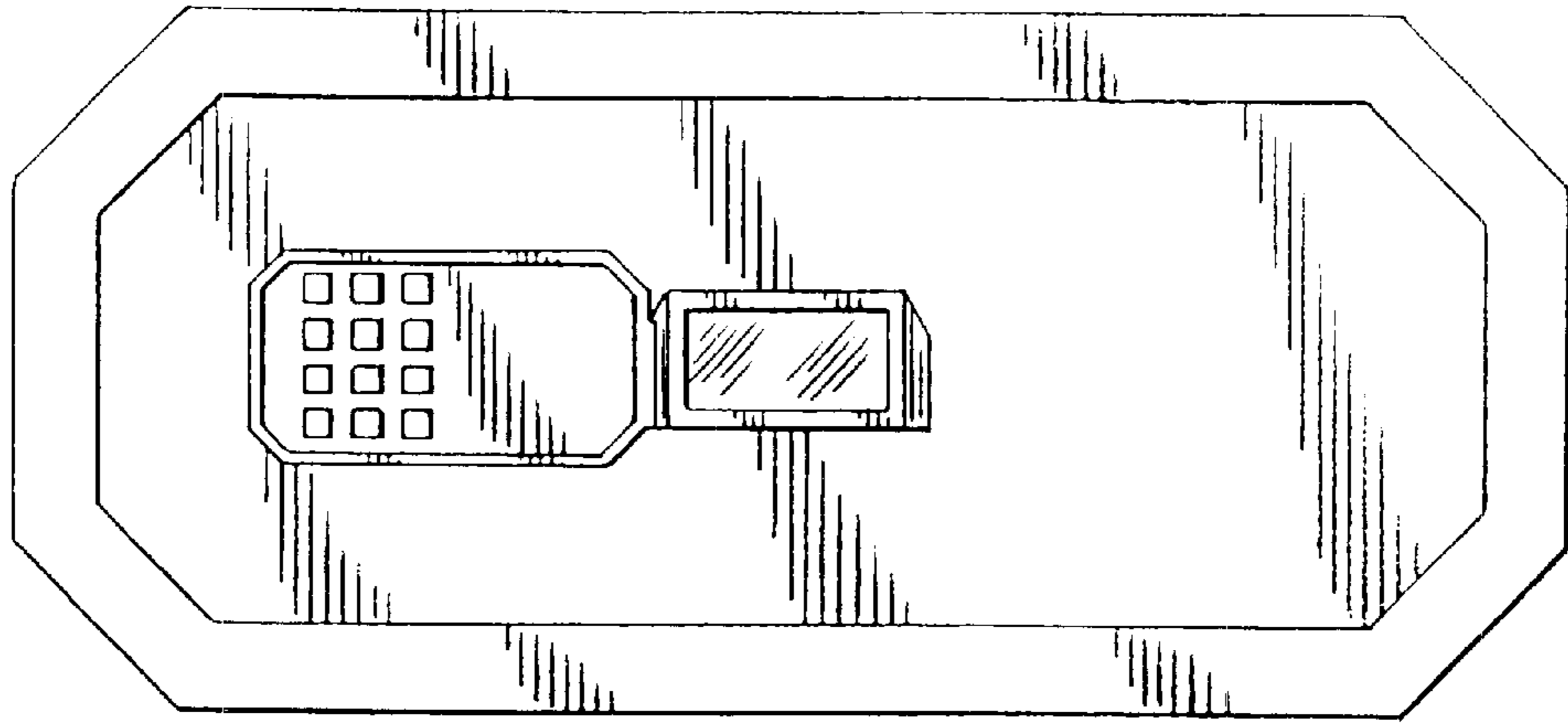


FIG. 3

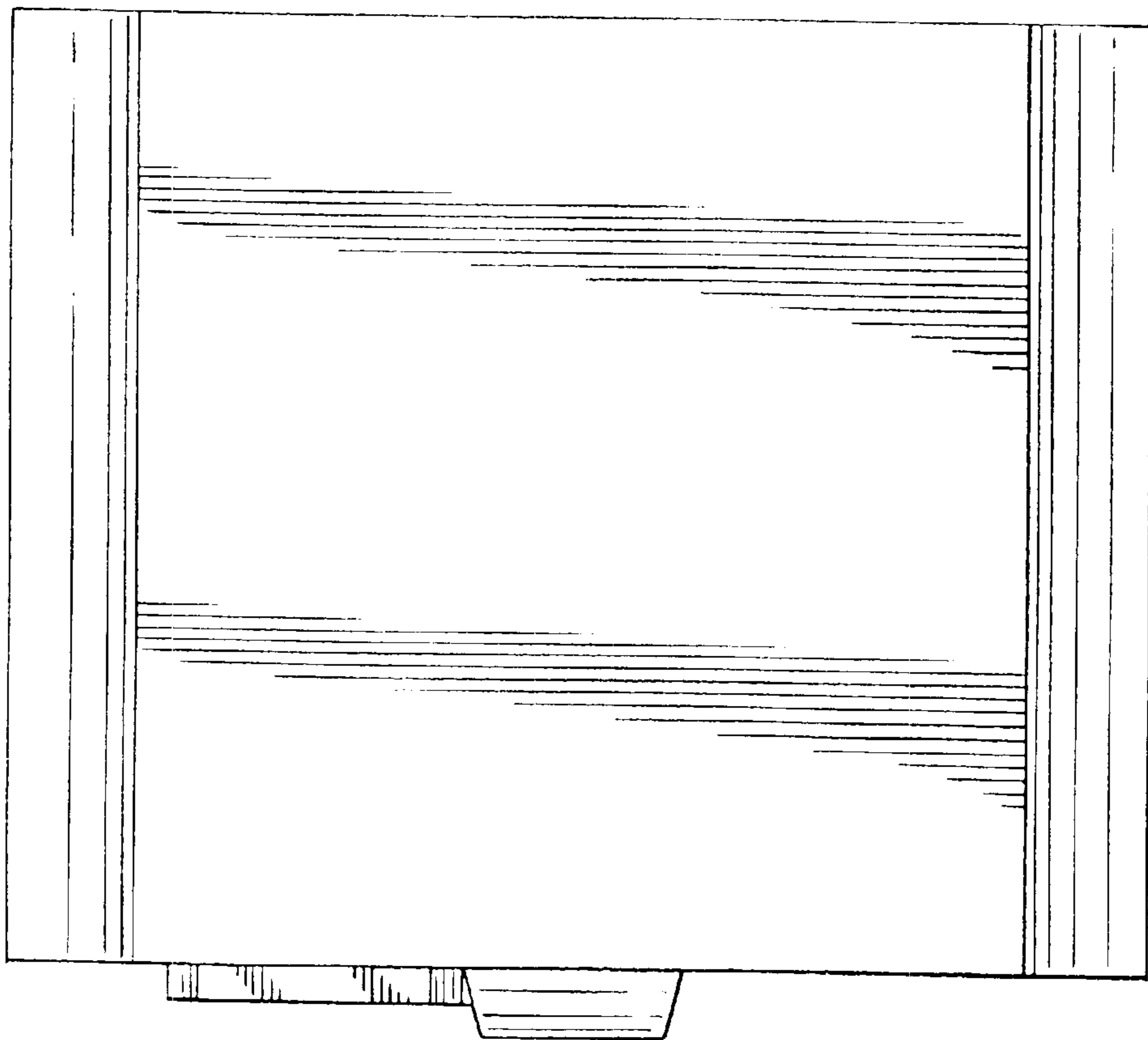


FIG. 4

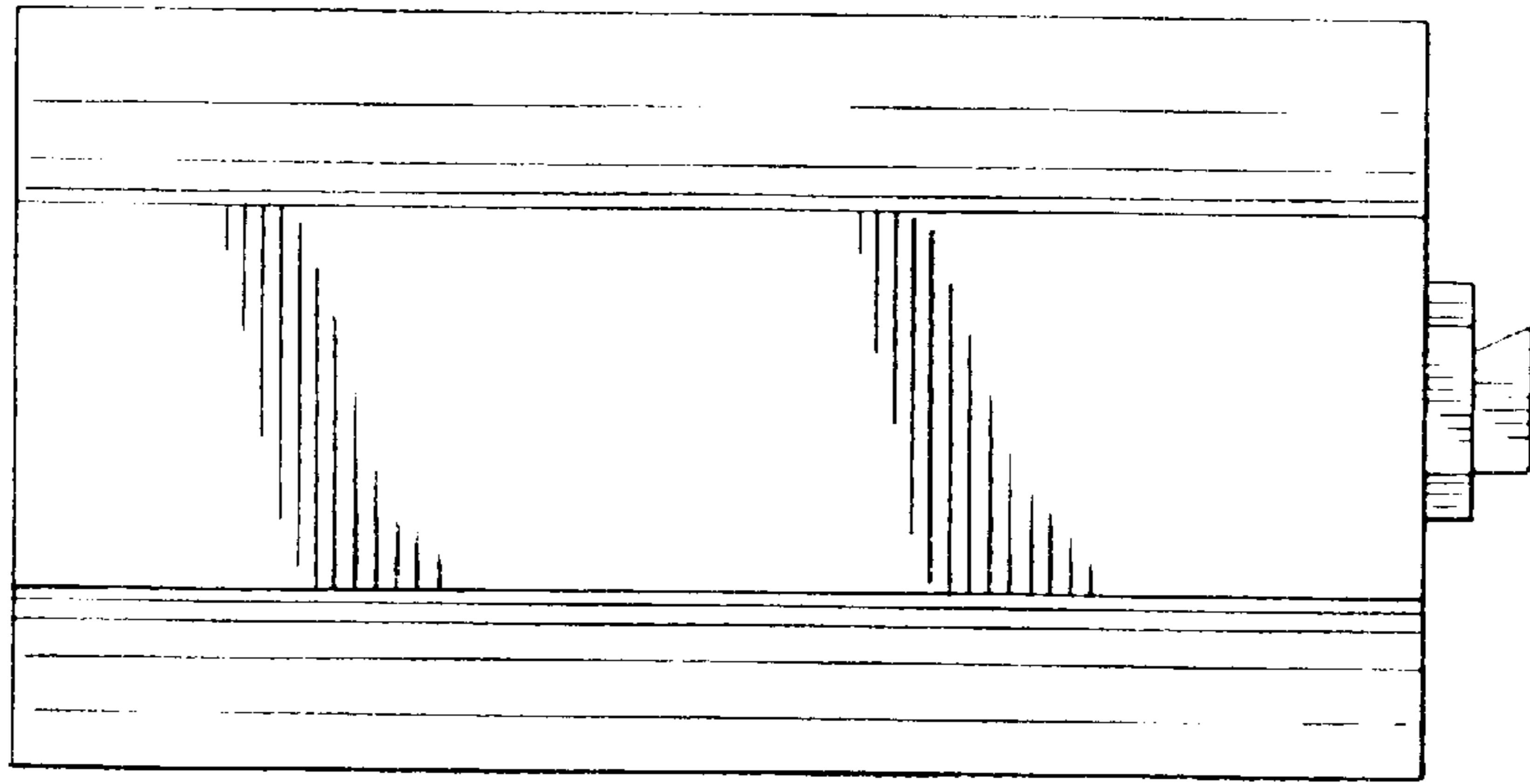


FIG. 5

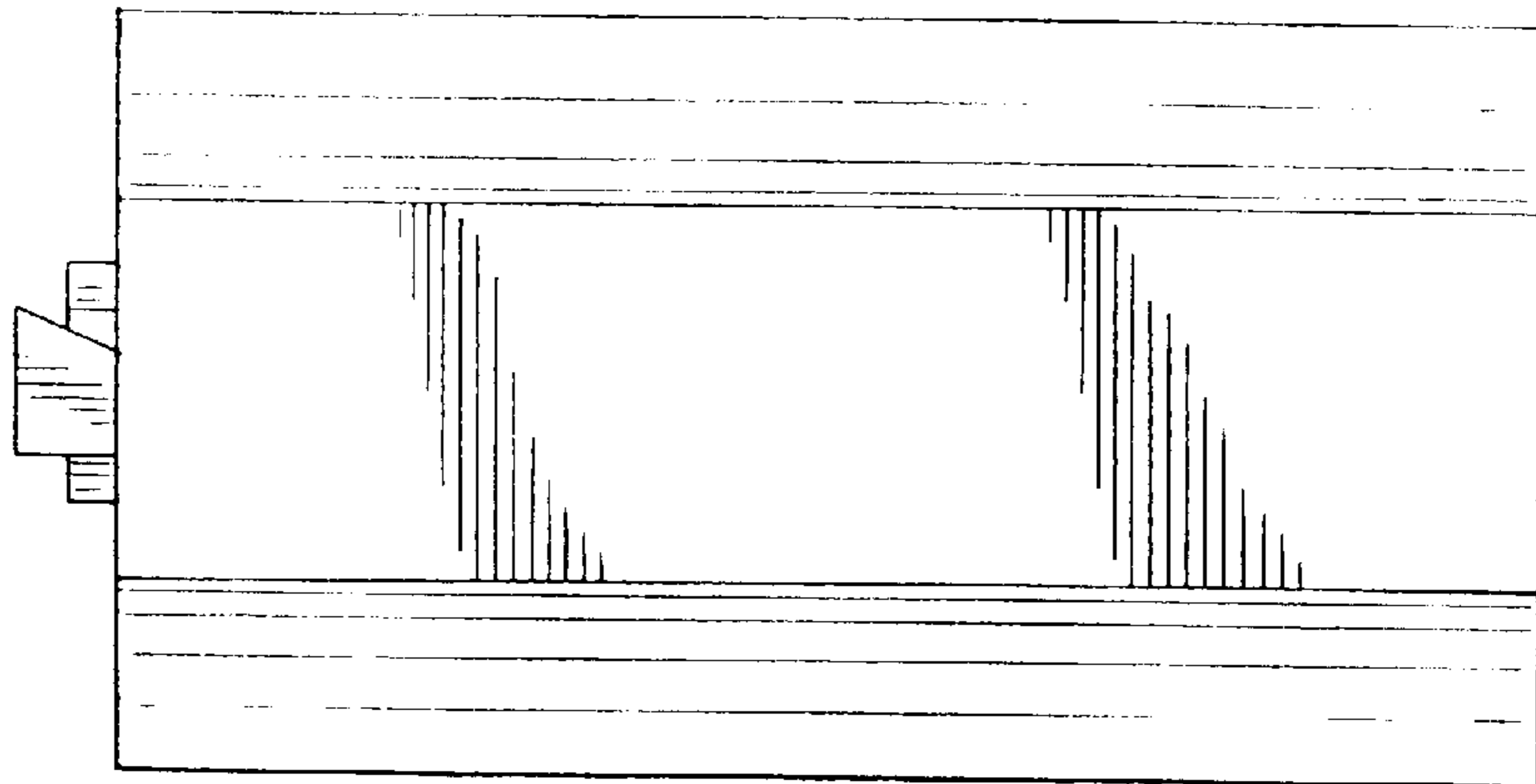


FIG. 6

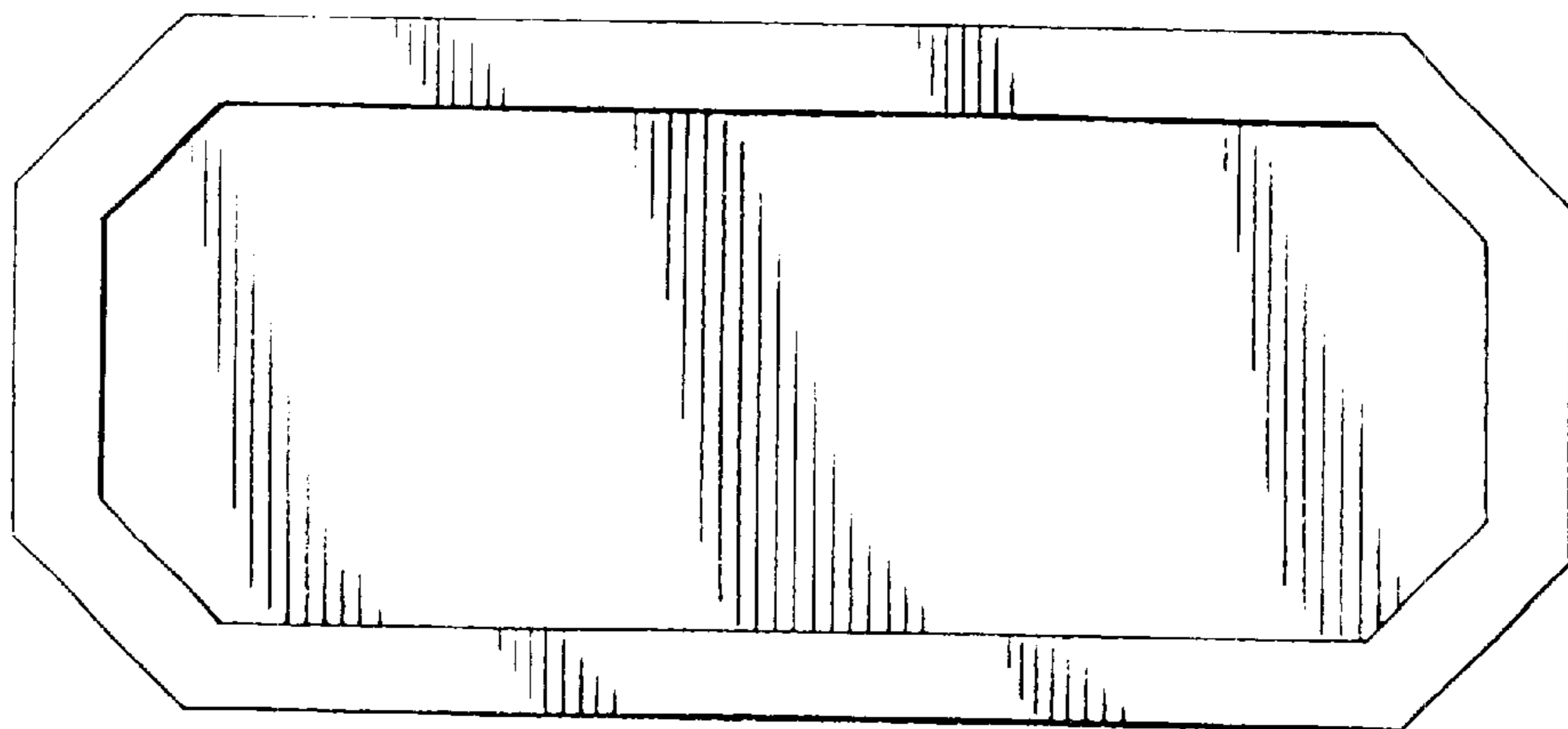


FIG. 7

