



US00D461615S

(12) **United States Design Patent**
Bainter

(10) **Patent No.:** **US D461,615 S**

(45) **Date of Patent:** **** Aug. 13, 2002**

(54) **TELESCOPING JACK**

(76) **Inventor:** **Wesley Bainter**, P.O. Box 705, 844
Main St., Hoxie, KS (US) 67740

(**) **Term:** **14 Years**

(21) **Appl. No.:** **29/145,598**

(22) **Filed:** **Jul. 27, 2001**

Related U.S. Application Data

(63) Continuation of application No. 09/536,938, filed on Mar. 28, 2000.

(51) **LOC (7) Cl.** **12-05**

(52) **U.S. Cl.** **D34/31**

(58) **Field of Search** D34/31, 28; 254/126,
254/2 R, 93 H, 134, 420, DIG. 1, 423,
424, 86 H, 86 R, 30, 31, 132, 133

(56) **References Cited**

U.S. PATENT DOCUMENTS

- 2,675,209 A * 4/1954 Freed 254/2 R
- 2,942,848 A 6/1960 Friesen
- 3,073,573 A 1/1963 Haskins
- 3,131,908 A 5/1964 Payton
- 3,556,480 A 1/1971 Johansson
- 3,567,240 A * 3/1971 Brassington 254/2 R
- 3,735,958 A * 5/1973 Hillingsworth 254/2 R
- 3,858,688 A 1/1975 Galloway
- 4,041,711 A 8/1977 Lucas
- 4,202,529 A 5/1980 Fitting

- 4,358,087 A 9/1982 Sime
- D269,473 S 6/1983 Jonsson
- 4,601,141 A 7/1986 Donnelly
- 4,661,749 A 4/1987 Finkbeiner
- 4,771,221 A 9/1988 Finkbeiner
- 4,807,851 A 2/1989 De Castro
- D306,089 S * 2/1990 Caico et al. D34/31
- 4,930,750 A 6/1990 De Castro
- 5,065,844 A 11/1991 Hon
- D357,106 S * 4/1995 Francis et al. D34/31
- D372,177 S * 7/1996 Hansen D34/31
- D384,482 S * 9/1997 Thole D34/31
- D388,925 S * 1/1998 Hulegaard et al. D34/31
- D396,926 S * 8/1998 Underhill et al. D34/31
- 5,904,342 A * 5/1999 Laarman 254/424
- 5,911,408 A * 6/1999 Berends et al. 254/93 H
- D447,309 S * 8/2001 Wilson D34/31

* cited by examiner

Primary Examiner—Cynthia E. Ramirez
(74) *Attorney, Agent, or Firm*—Robert Blinn

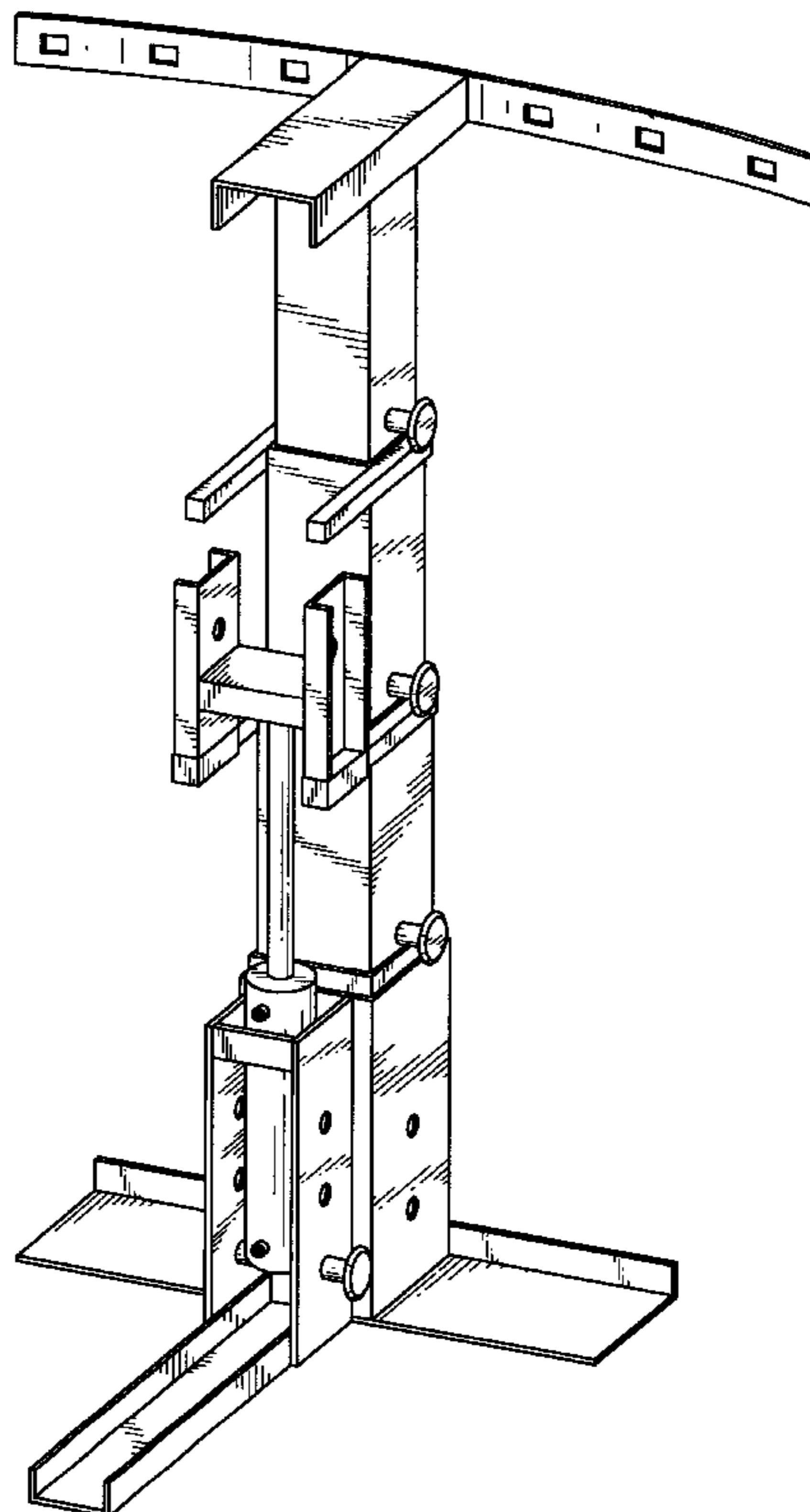
(57) **CLAIM**

The ornamental design for a telescoping jack, as shown.

DESCRIPTION

FIG. 1 is a perspective view of the telescoping jack of the present invention showing my new design;
FIG. 2 is a front view of the telescoping jack thereof;
FIG. 3 is a right side view of the telescoping jack thereof;
FIG. 4 is a rear view of the telescoping jack thereof; and,
FIG. 5 is a left side view of the telescoping jack thereof.

1 Claim, 4 Drawing Sheets



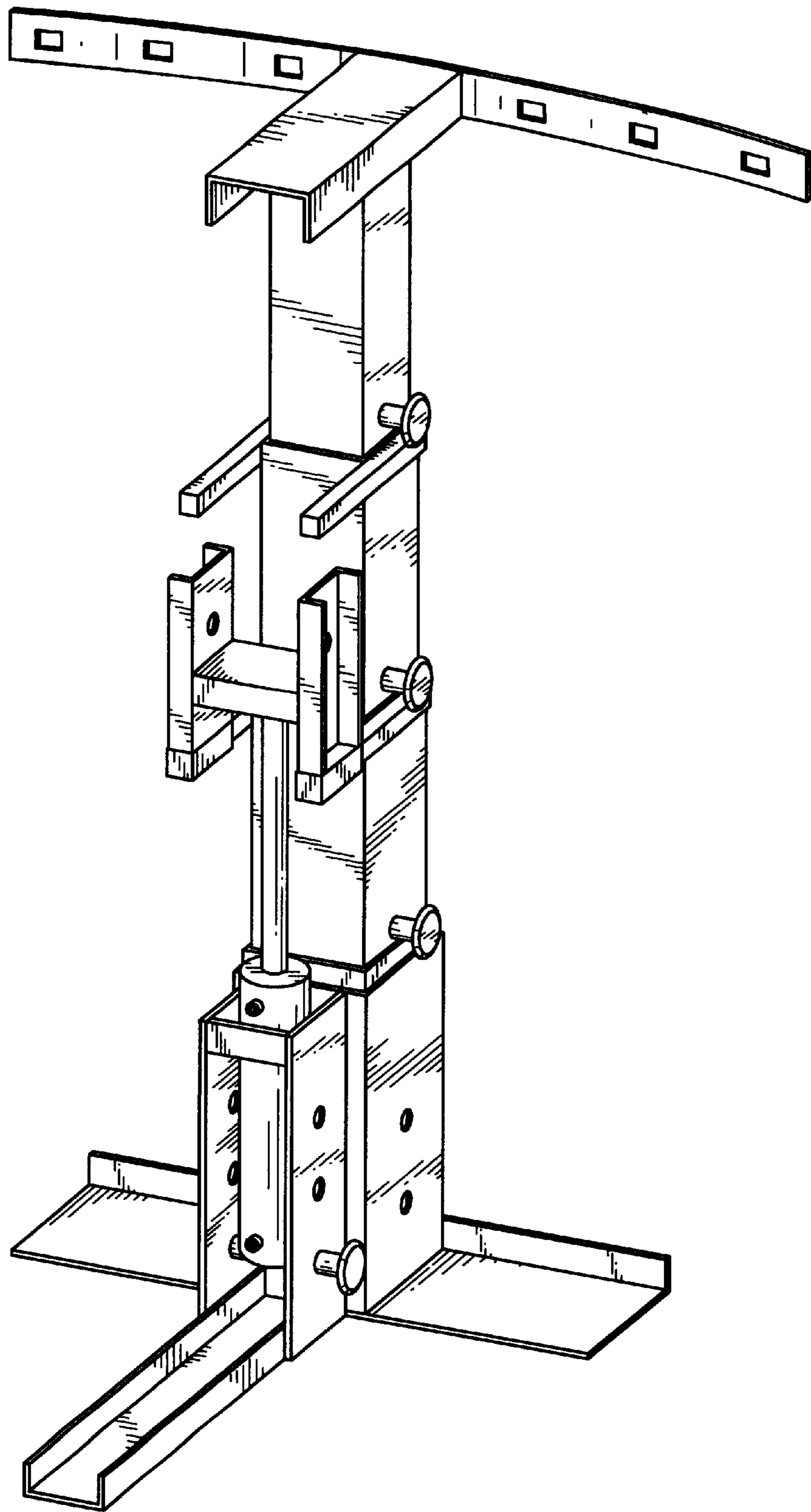


FIG. 1

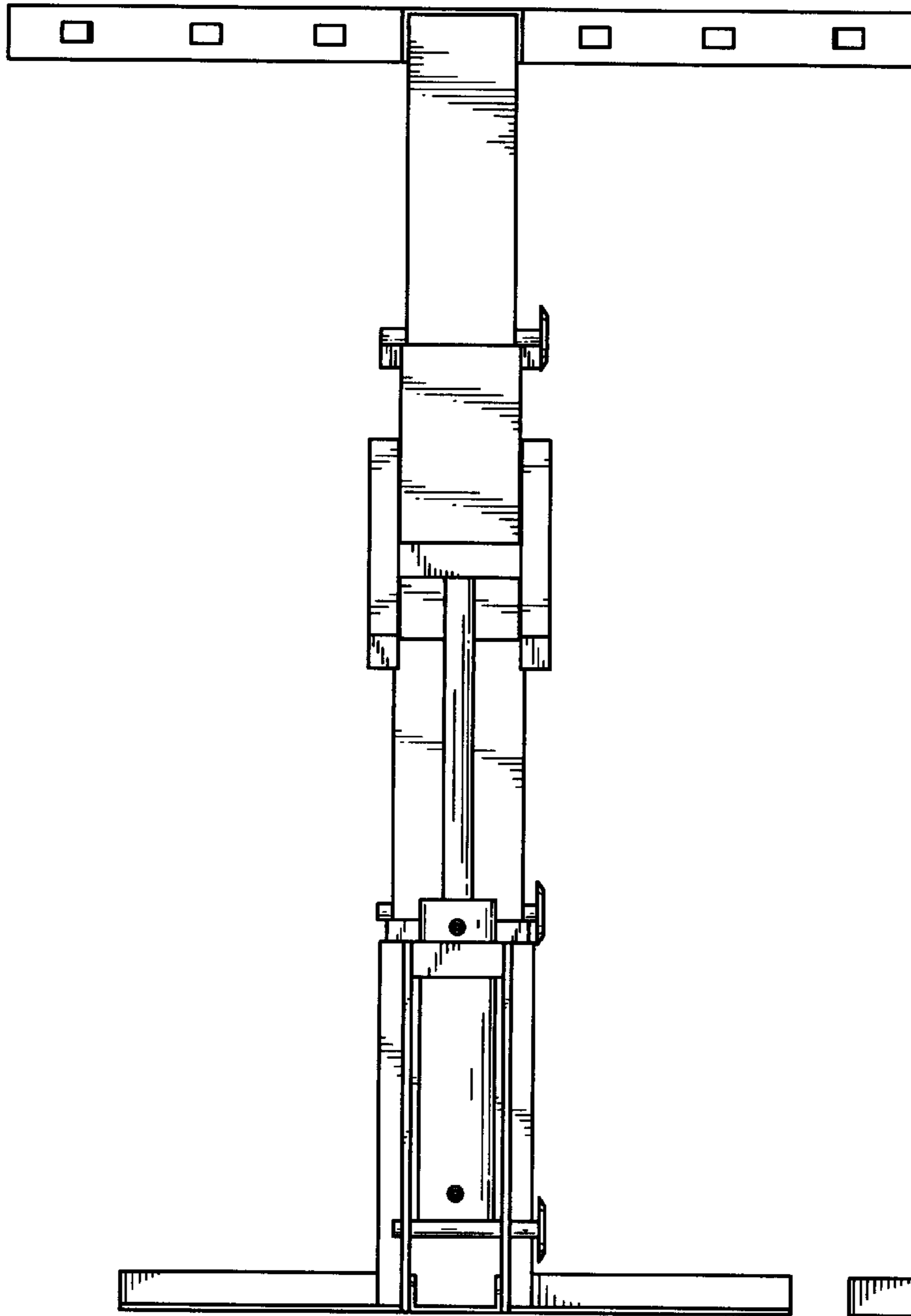


FIG. 2

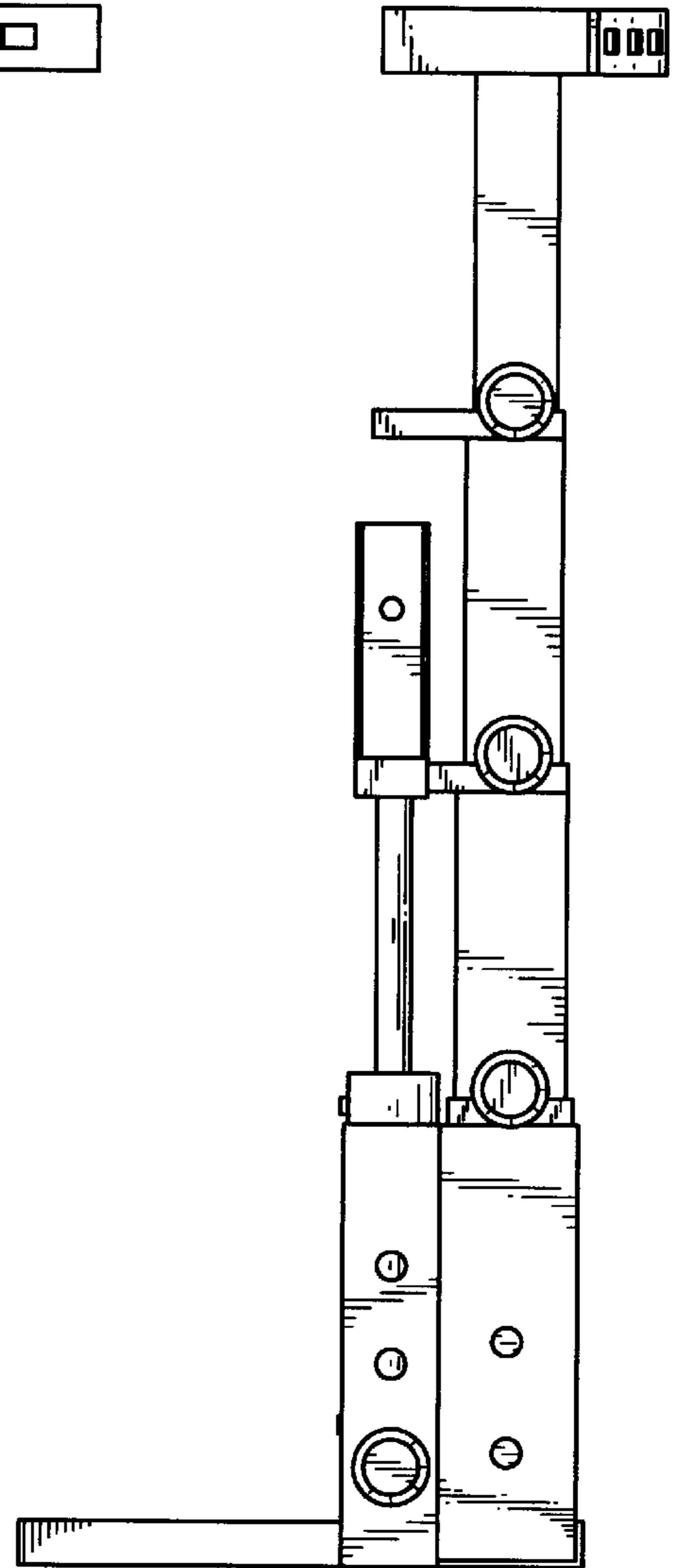


FIG. 3

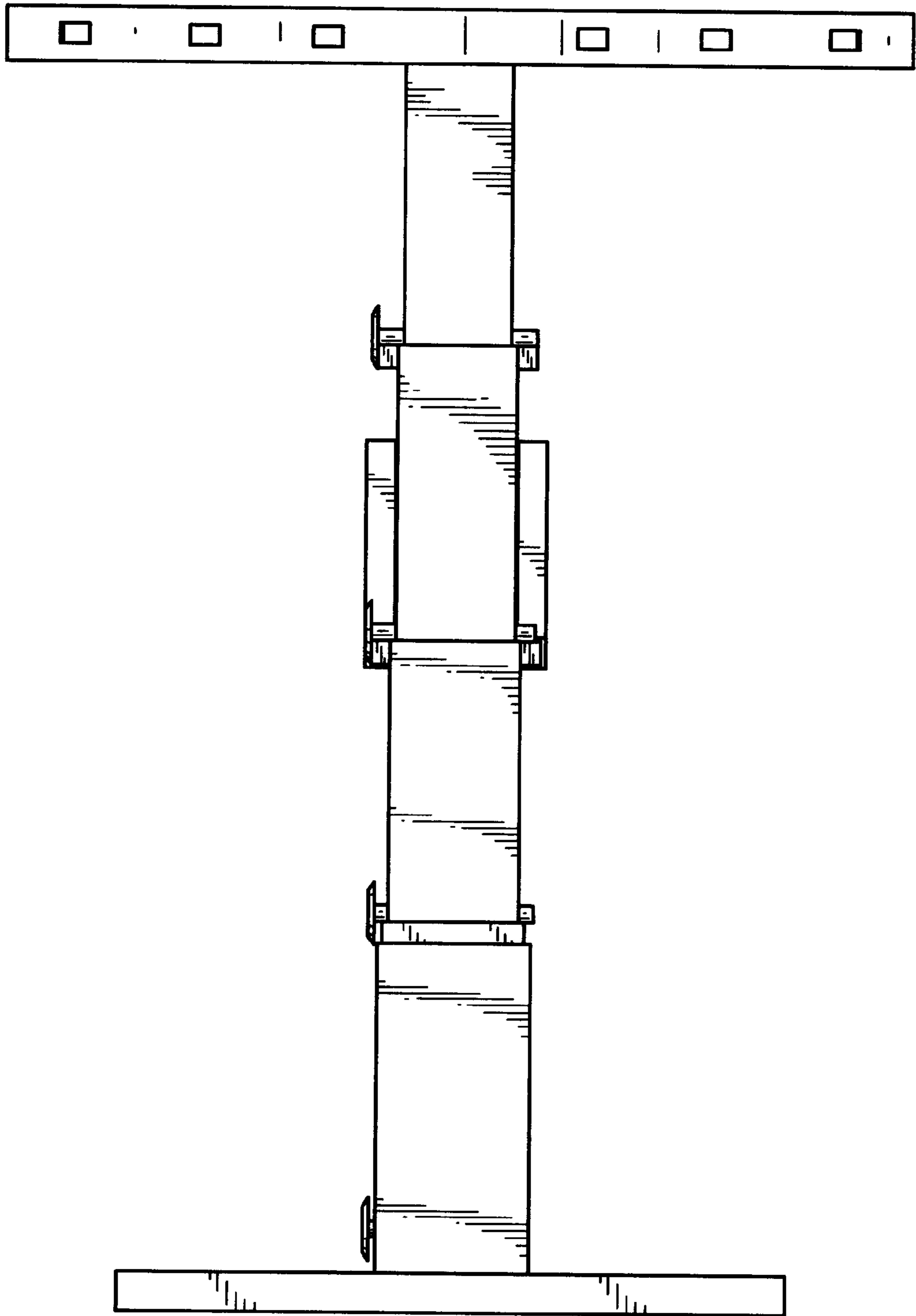


FIG.4

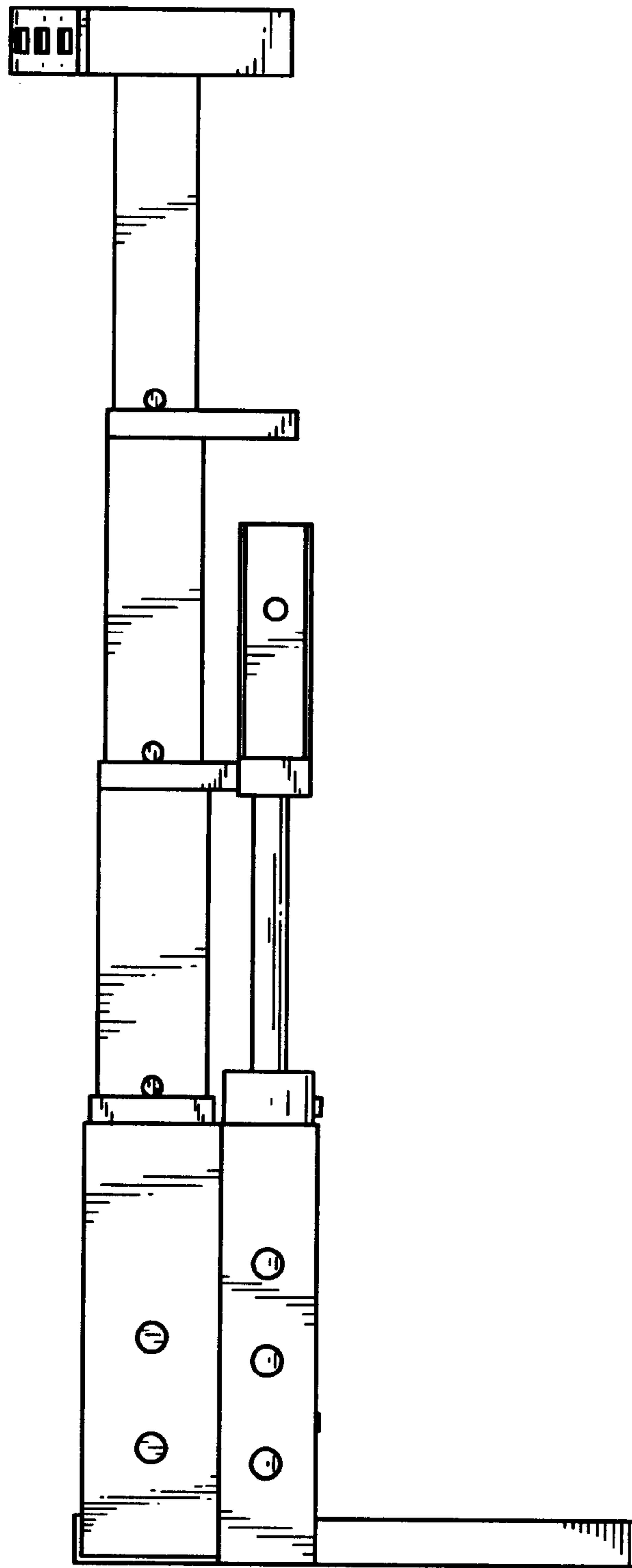


FIG.5