



US00D461614S

(12) **United States Design Patent**  
**Liu**

(10) **Patent No.:** **US D461,614 S**

(45) **Date of Patent:** **\*\* Aug. 13, 2002**

(54) **WHEELED TOOL CONTAINER**

(75) Inventor: **George Liu, Taichung (TW)**

(73) Assignee: **Ever-Shiny Products Corp. (TW)**

(\*\*) Term: **14 Years**

(21) Appl. No.: **29/150,195**

(22) Filed: **Nov. 13, 2001**

(51) **LOC (7) Cl.** ..... **12-02**

(52) **U.S. Cl.** ..... **D34/23**

(58) **Field of Search** ..... D34/12, 23, 17,  
D34/18; 280/79.11, 32.6, 79.2, 79.5; D32/23

(56) **References Cited**

**U.S. PATENT DOCUMENTS**

4,795,180	A	*	1/1989	Polecyn	.....	280/79.11
D389,973	S	*	1/1998	Murray	.....	D34/23
D414,305	S	*	9/1999	Rohn et al.	.....	D32/31
D448,536	S	*	9/2001	Treschitta	.....	D34/23

\* cited by examiner

*Primary Examiner*—Kay H. Chin

(74) *Attorney, Agent, or Firm*—Troxell Law Office PLLC

(57) **CLAIM**

The ornamental design for the “wheeled tool container”, as shown and described.

**DESCRIPTION**

FIG. 1 is a perspective view of a wheeled tool container showing my new design;

FIG. 2 is a front view thereof;

FIG. 3 is a rear view thereof;

FIG. 4 is a left side view thereof;

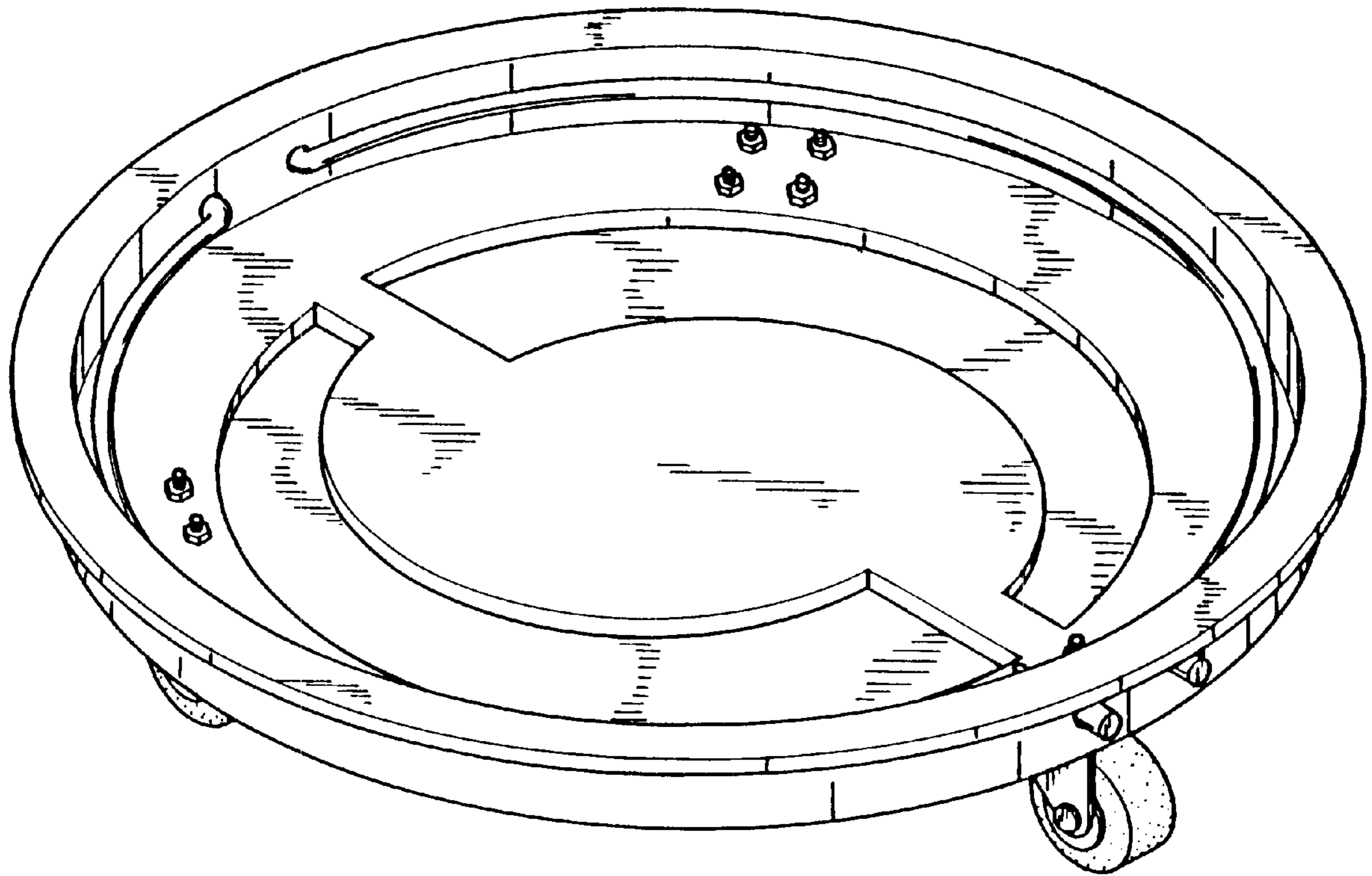
FIG. 5 is a right side view thereof;

FIG. 6 is a top view thereof; and

FIG. 7 is a bottom view thereof; and,

FIG. 8 is a perspective view of a practical operation mode thereof.

**1 Claim, 4 Drawing Sheets**



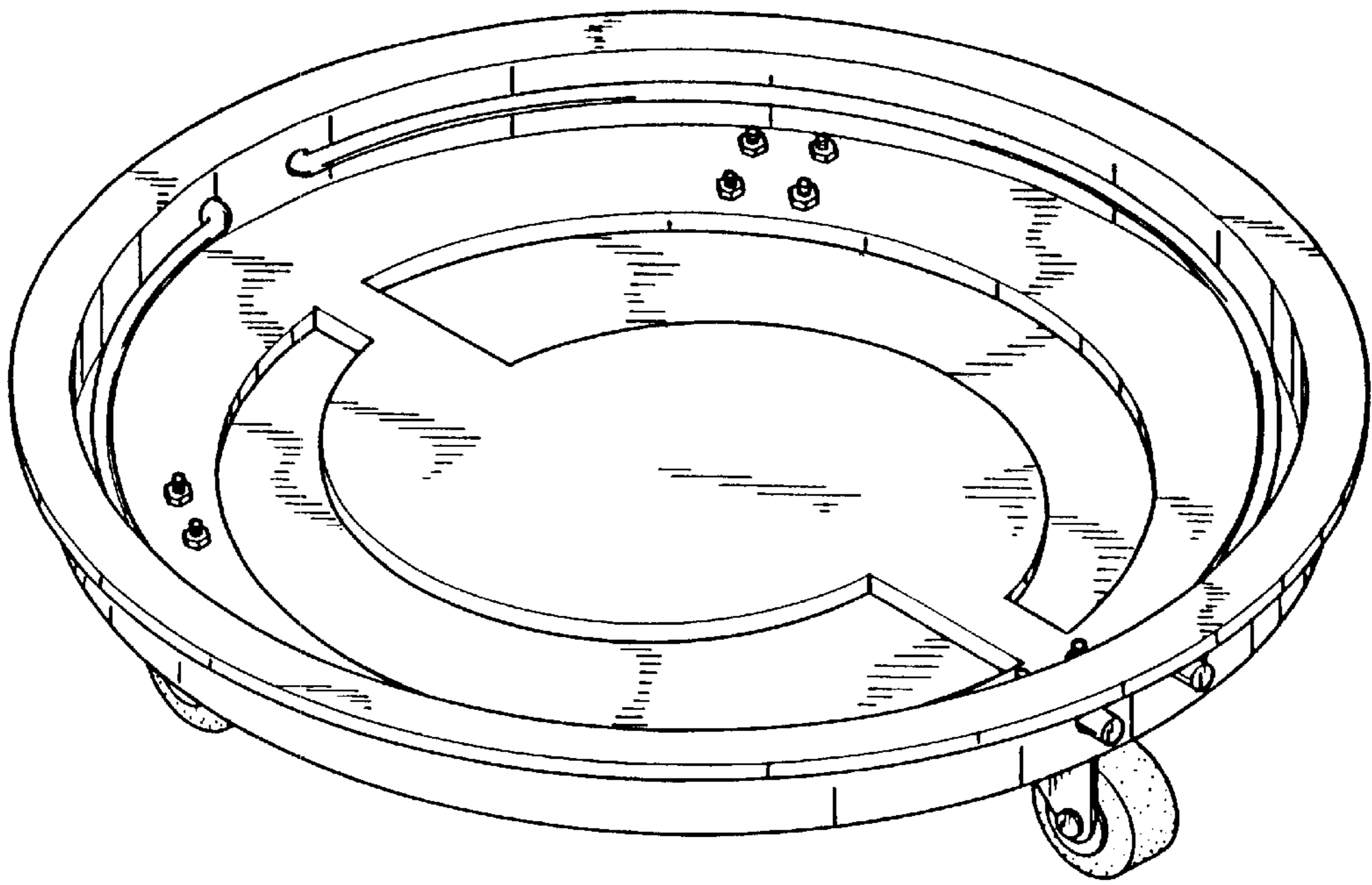


FIG. 1

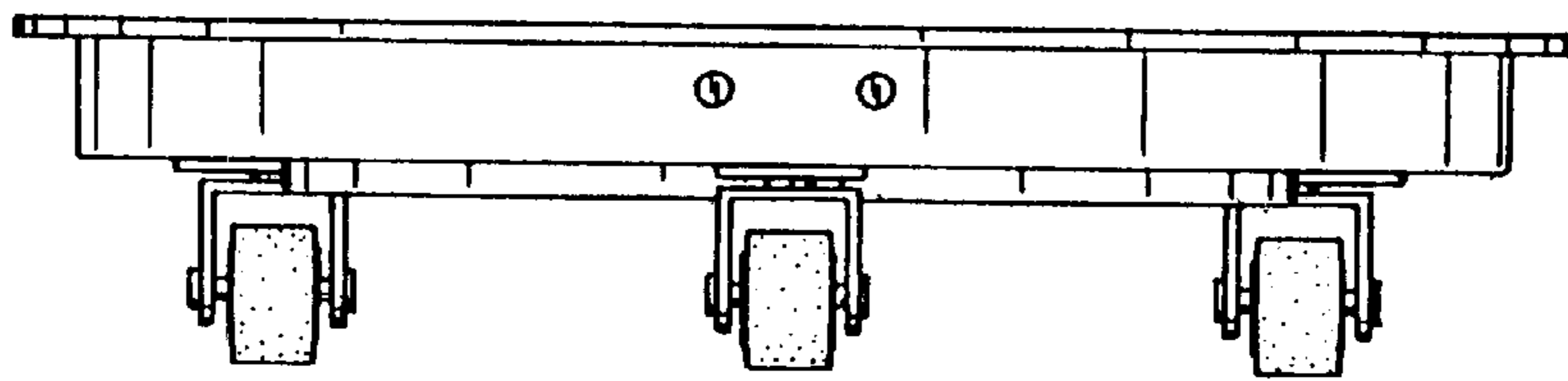


FIG. 2

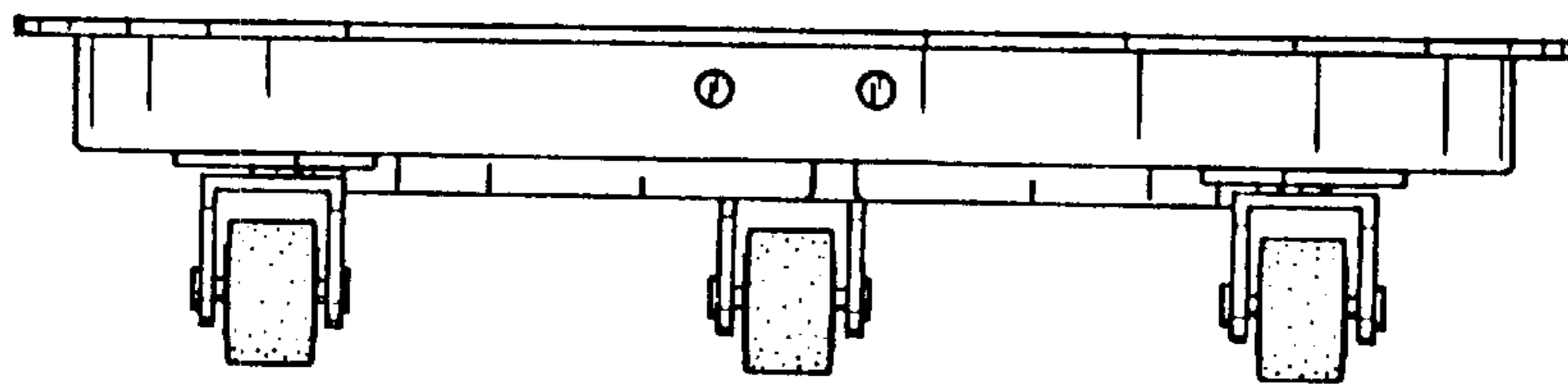


FIG. 3

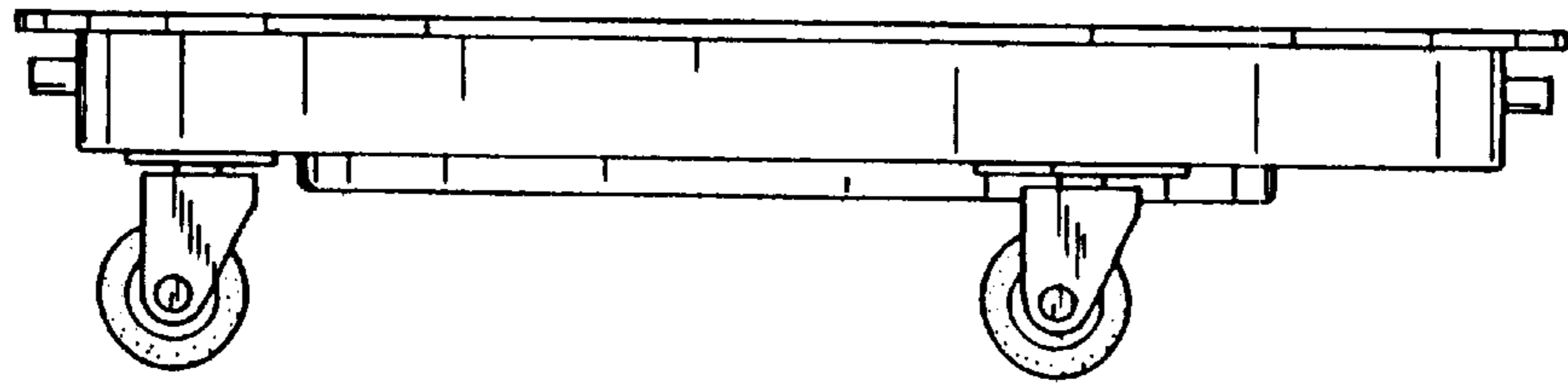


FIG. 4

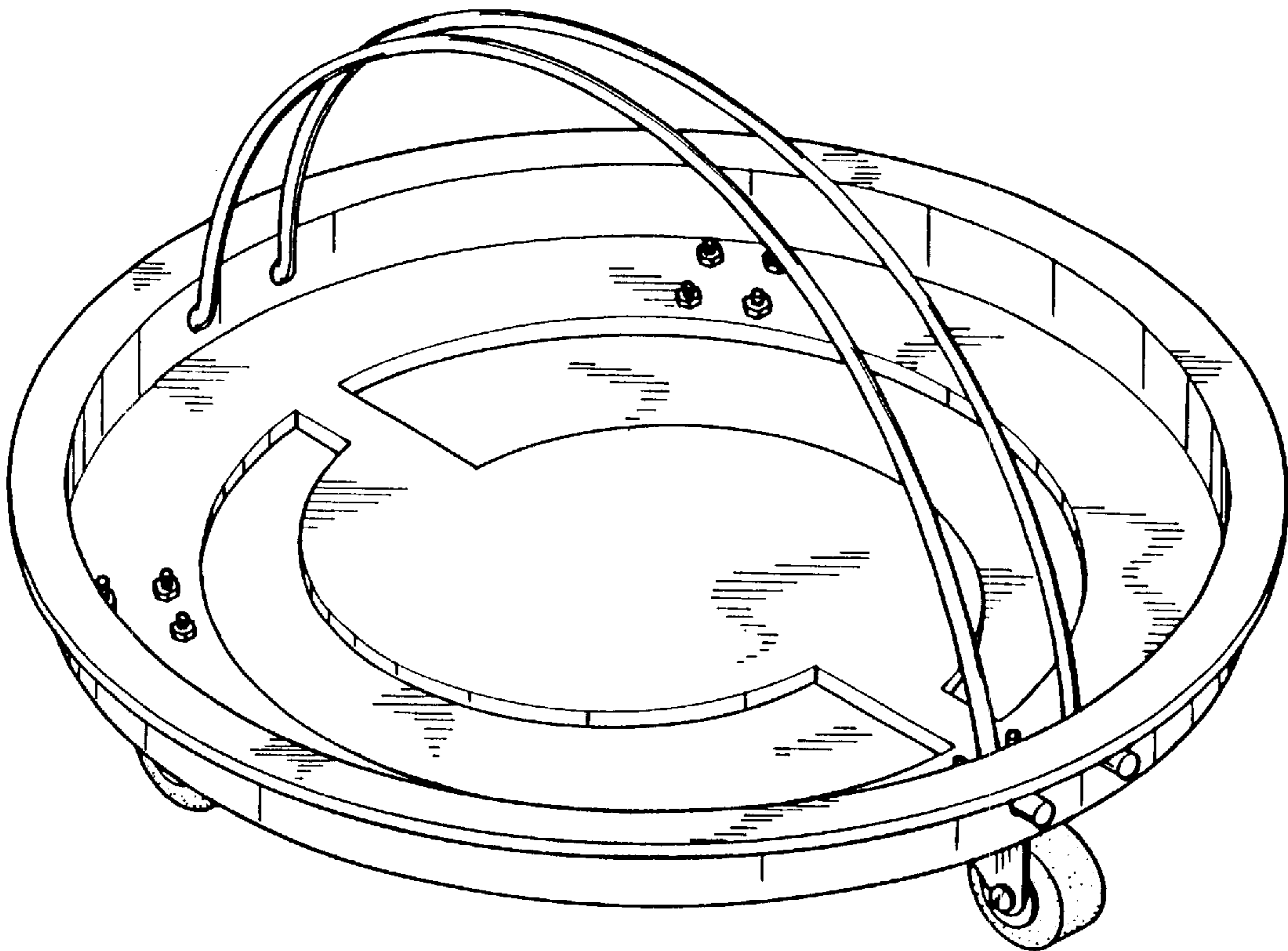


FIG. 8

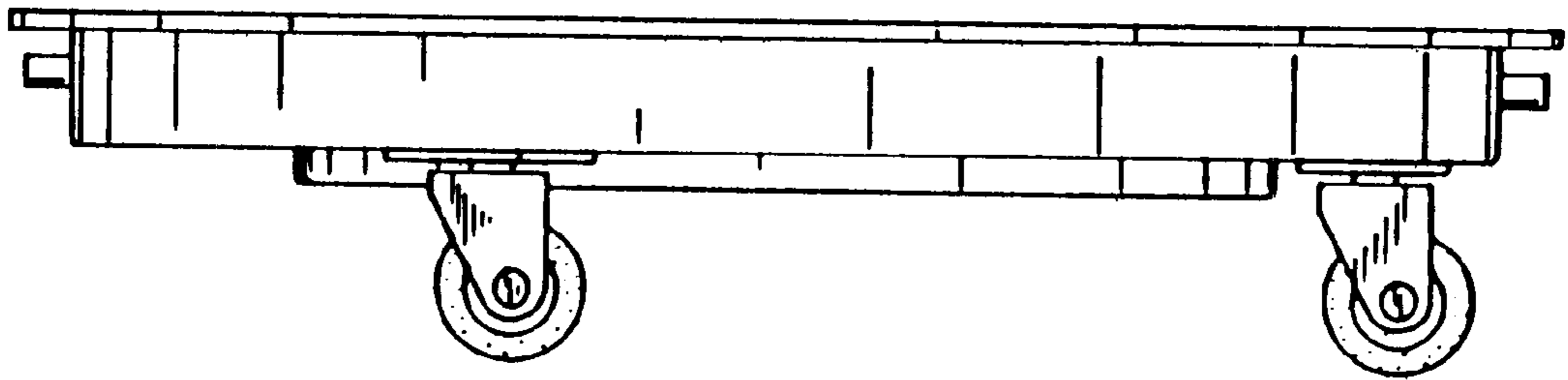


FIG. 5

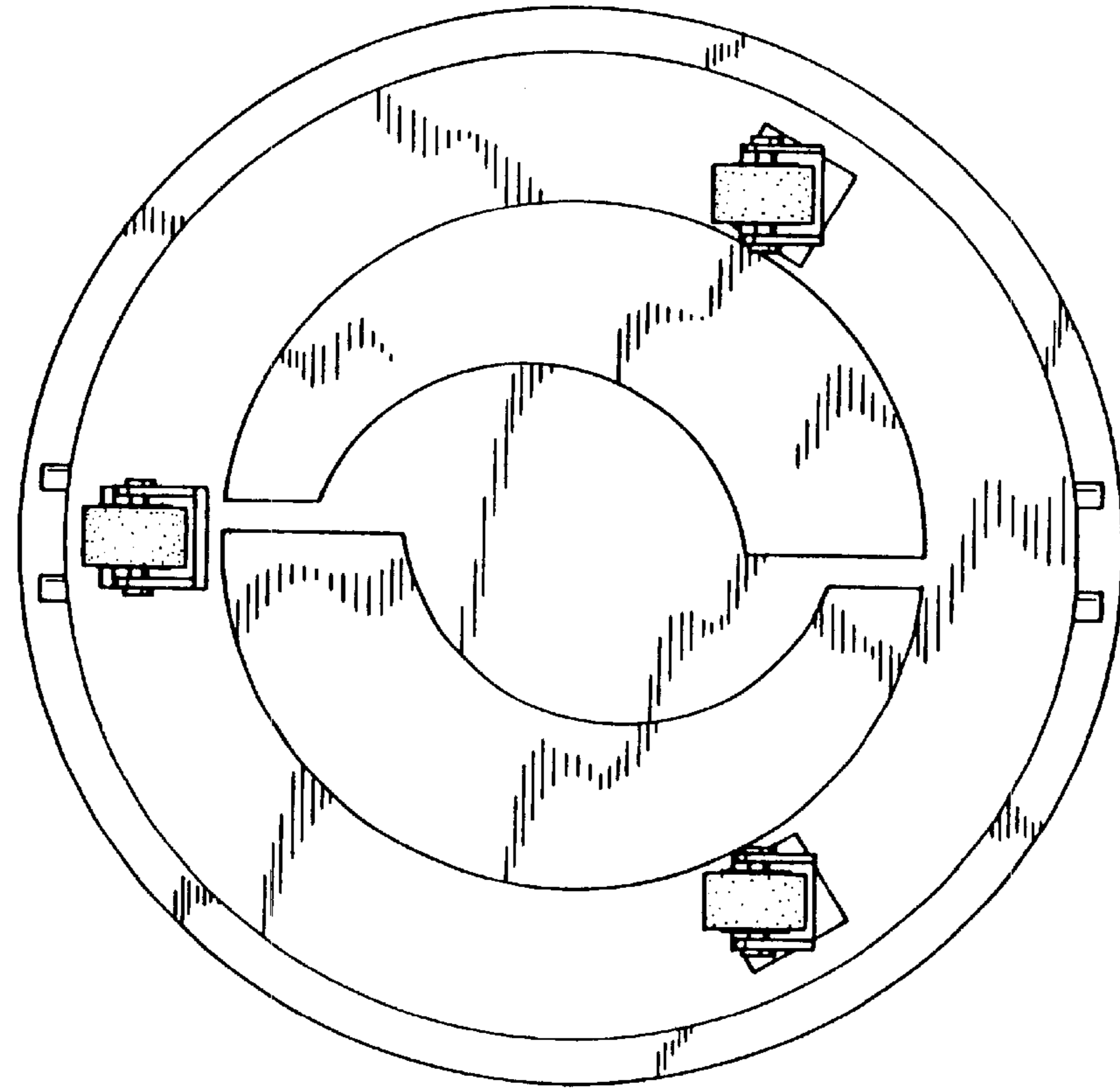


FIG. 6

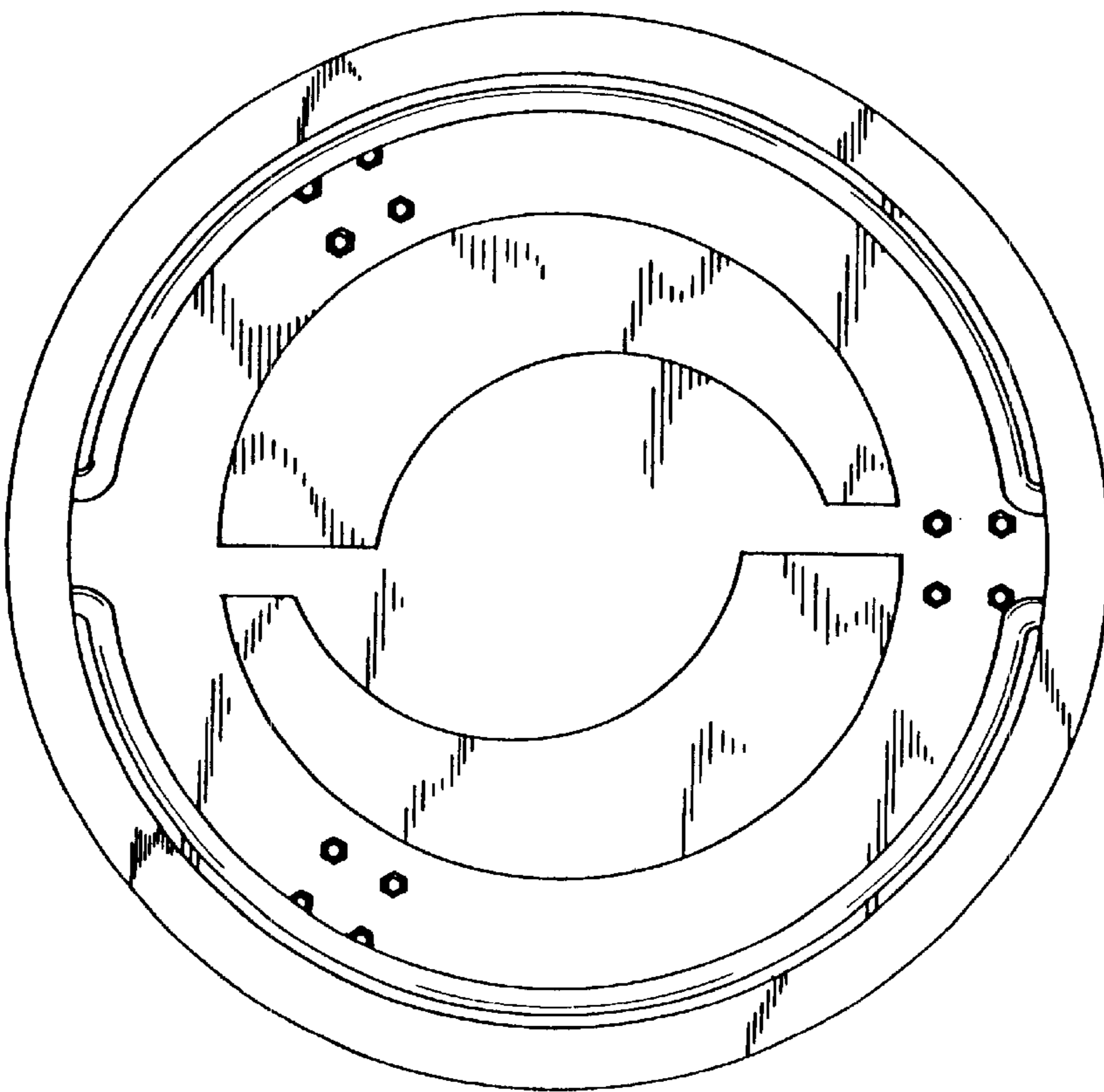


FIG. 7