



US00D461613S

(12) **United States Design Patent**
Schaefer, III

(10) **Patent No.:** **US D461,613 S**

(45) **Date of Patent:** **** Aug. 13, 2002**

(54) **WHEELBARROW WITH SELECTIVE
AUXILIARY ELECTRIC POWER ASSIST**

(76) **Inventor:** **John D. Schaefer, III**, 10 Shelton St.,
Seymour, CT (US) 06483

(**) **Term:** **14 Years**

(21) **Appl. No.:** **29/150,846**

(22) **Filed:** **Dec. 3, 2001**

(51) **LOC (7) Cl.** **12-02**

(52) **U.S. Cl.** **D34/16**

(58) **Field of Search** D34/12, 16, 18;
280/47.23, 47.31, 653; 180/19.1, 13, 19.2,
19.3

(56) **References Cited**

U.S. PATENT DOCUMENTS

1,905,589 A	4/1933	Hoffman et al.	
2,744,735 A	5/1956	Selvage	
3,791,470 A	2/1974	Baddore et al.	
4,811,988 A	3/1989	Immel	
5,211,254 A	5/1993	Harris, III et al.	
5,232,065 A	8/1993	Cotton	
5,305,843 A	* 4/1994	Armstrong	180/19.1

5,350,030 A	9/1994	Mawhinney et al.	
D357,101 S	* 4/1995	Uyehara et al. D34/16
5,489,000 A	2/1996	Hillbohm	
5,878,827 A	3/1999	Fox	
6,065,555 A	* 5/2000	Yuki et al. 180/19.1

* cited by examiner

Primary Examiner—Kay H. Chin

(74) *Attorney, Agent, or Firm*—Donald R. Schoonover

(57) **CLAIM**

The ornamental design for a wheelbarrow with selective auxiliary electric power assist, as shown and described.

DESCRIPTION

FIG. 1 is a perspective view of the wheelbarrow with selective auxiliary electric power assist embodying the design of the present invention.

FIG. 2 is a front elevational view thereof;

FIG. 3 is a rear elevational view thereof;

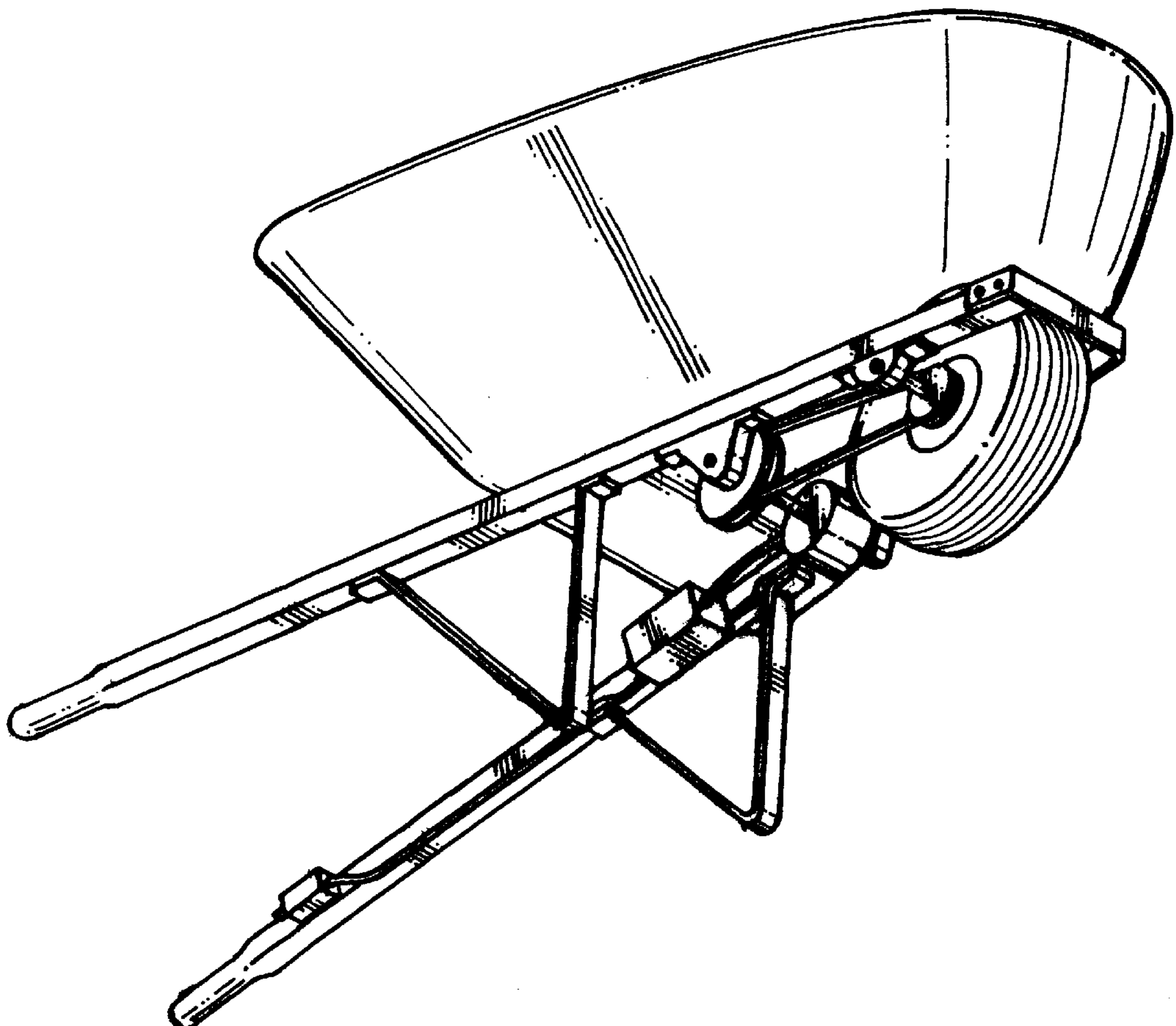
FIG. 4 is a left side elevational view thereof;

FIG. 5 is a right side elevational view thereof;

FIG. 6 is a top plan view thereof; and,

FIG. 7 is a bottom plan view thereof.

1 Claim, 4 Drawing Sheets



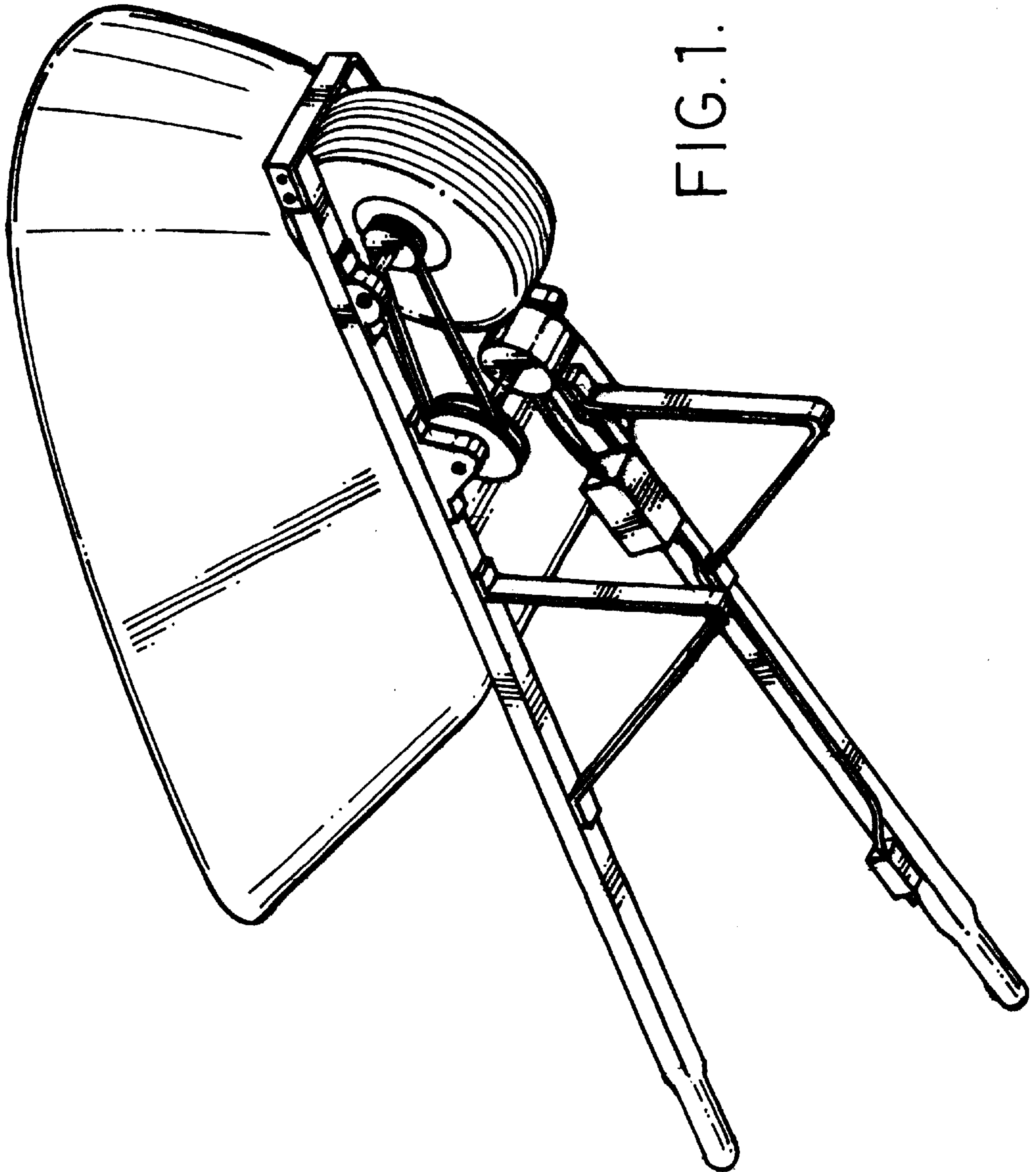


FIG. 1.

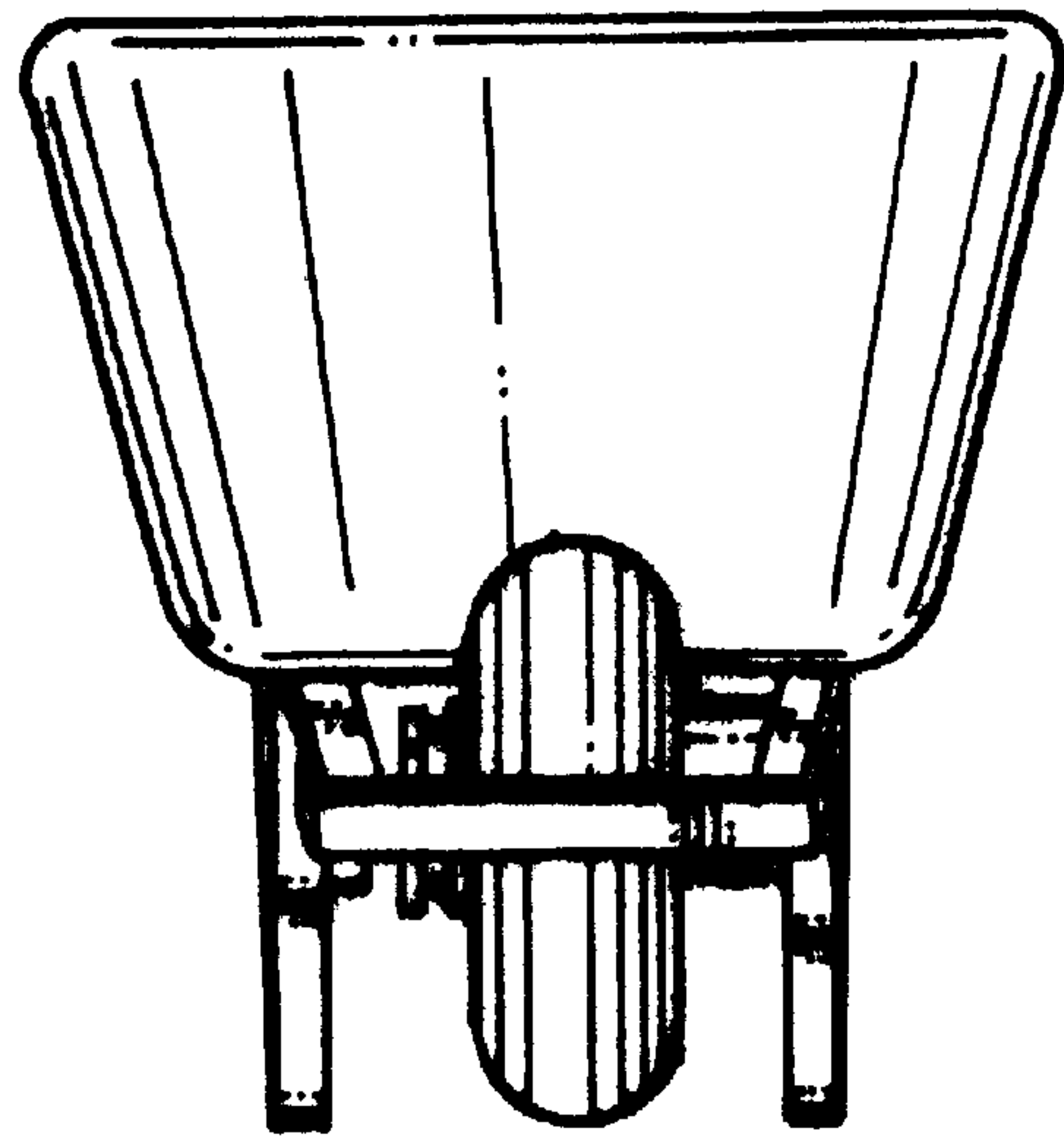


FIG. 2.

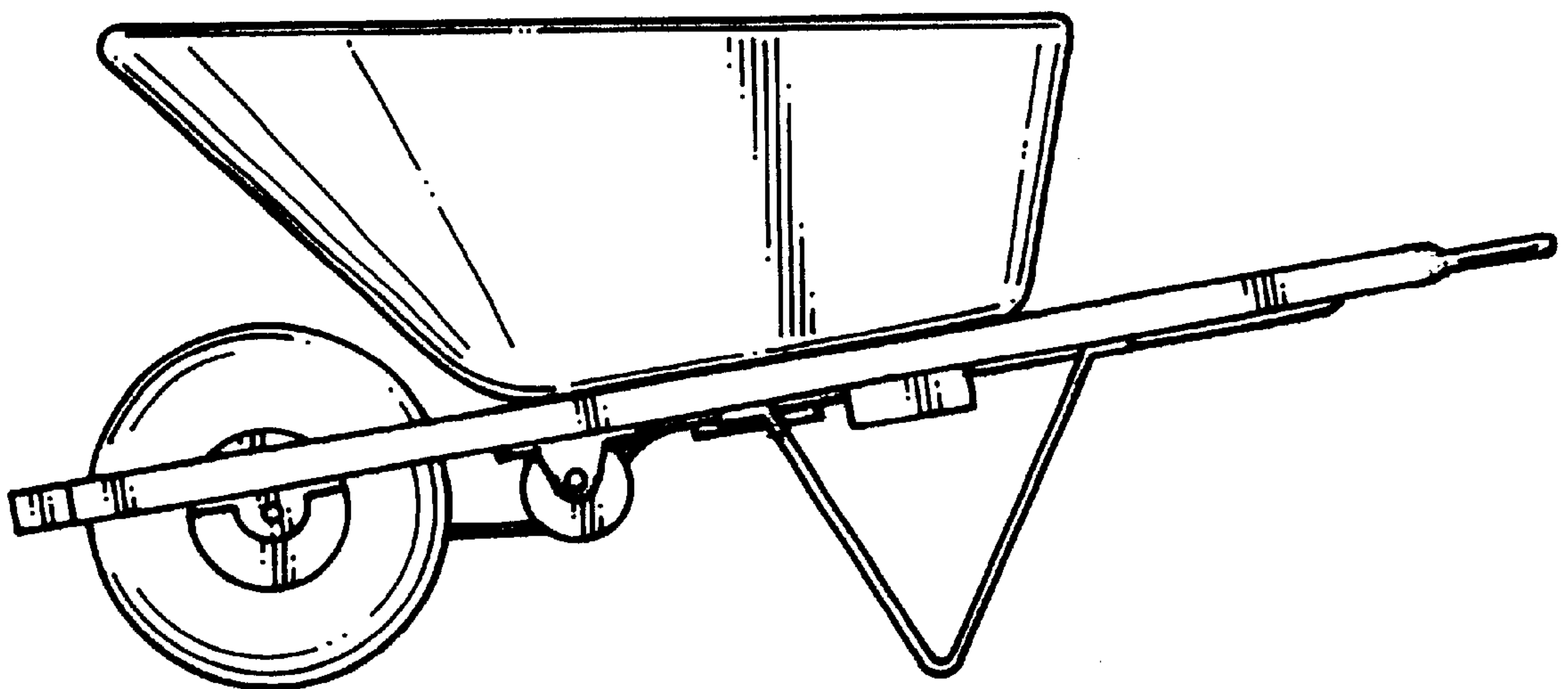


FIG. 4.

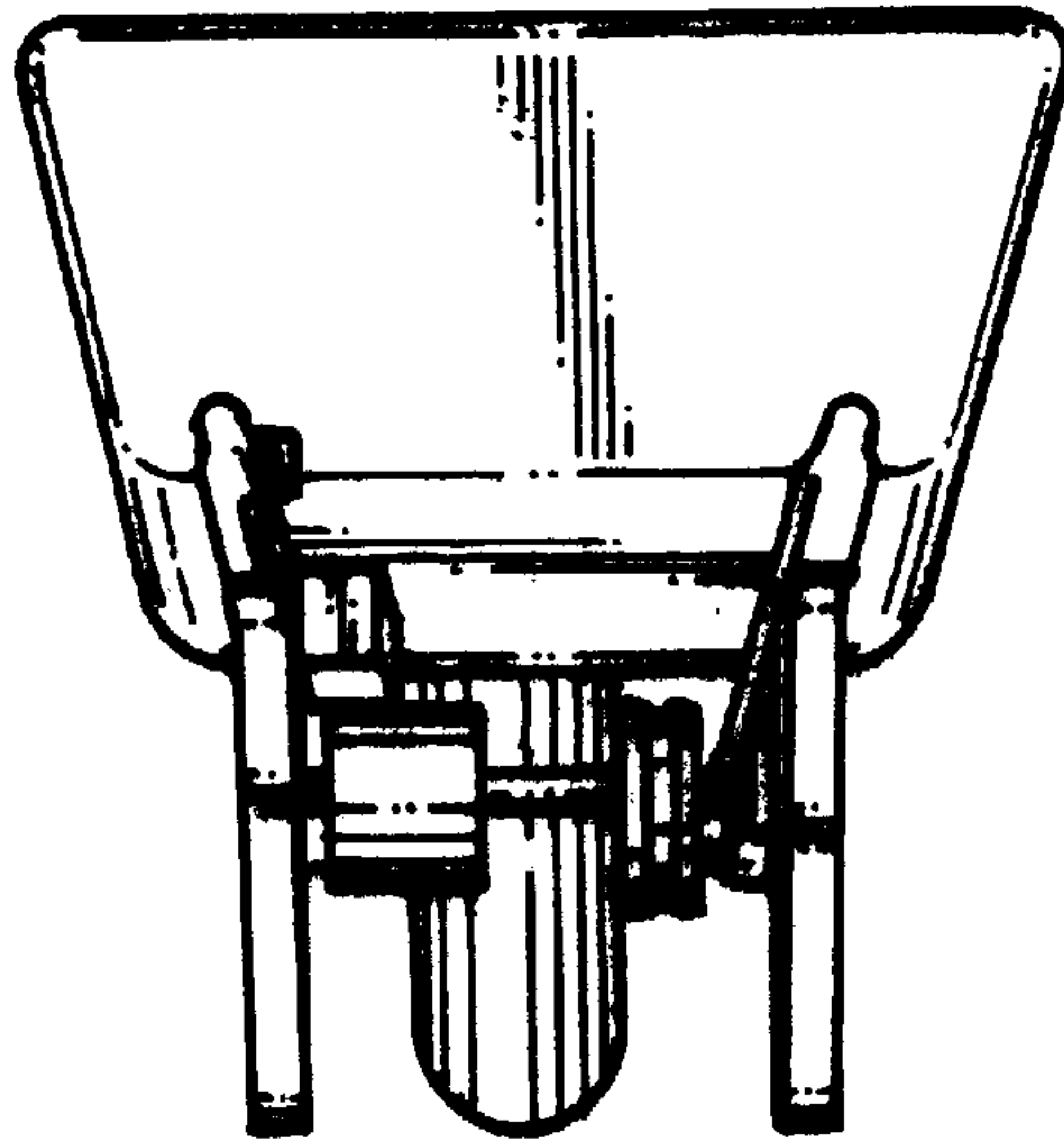


FIG. 3.

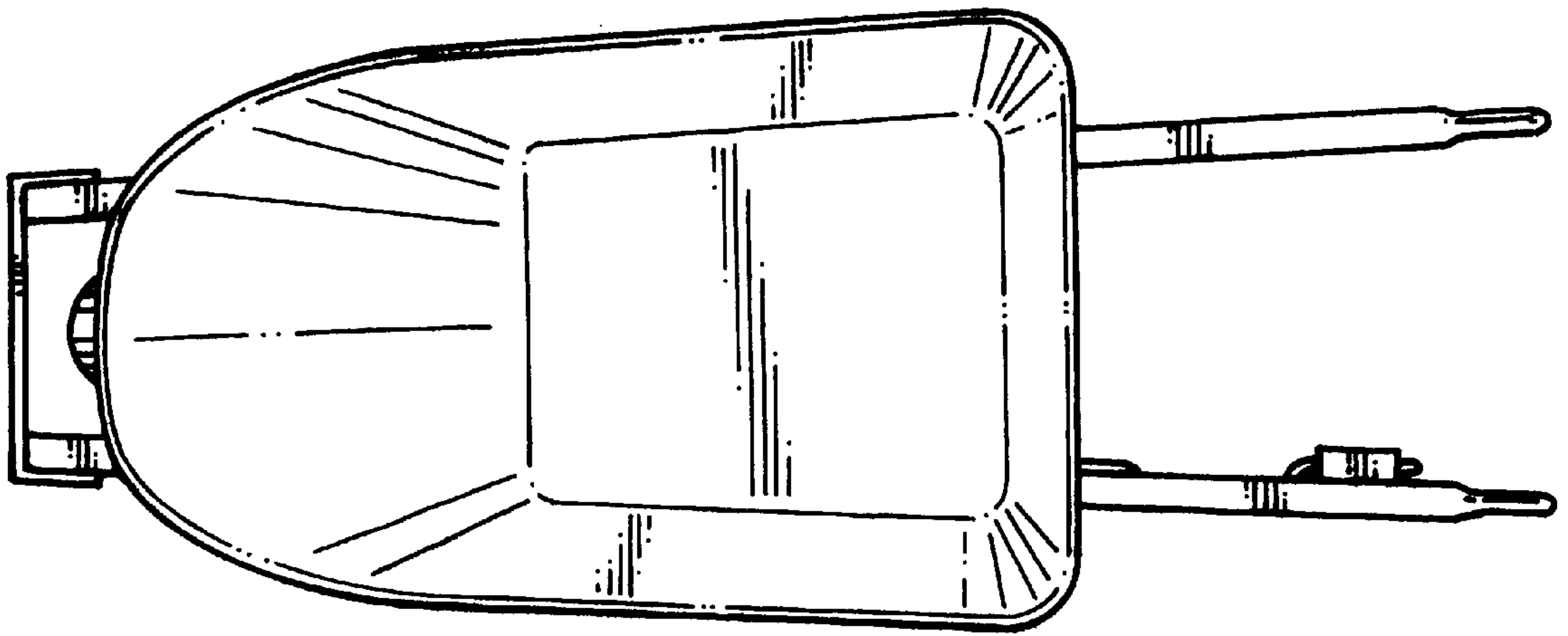


FIG. 6.

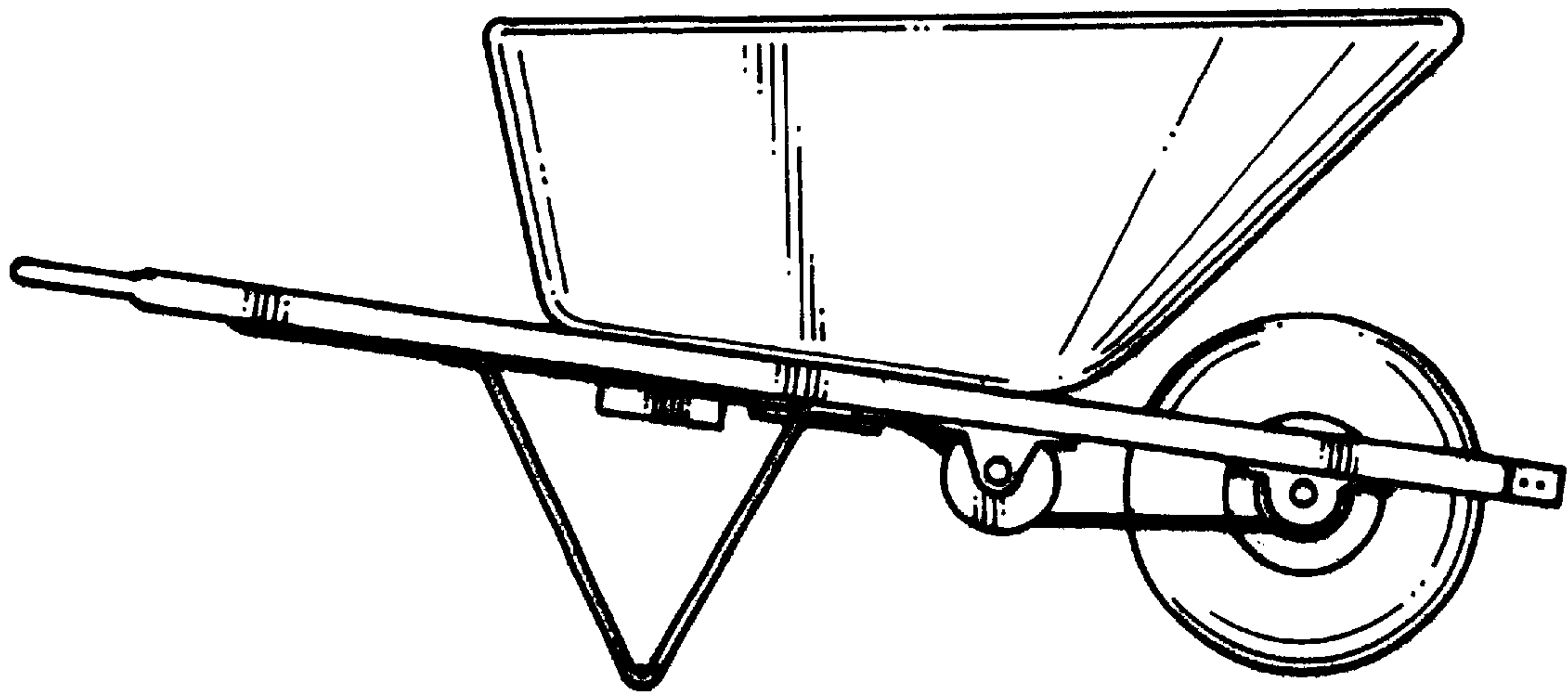


FIG. 5.

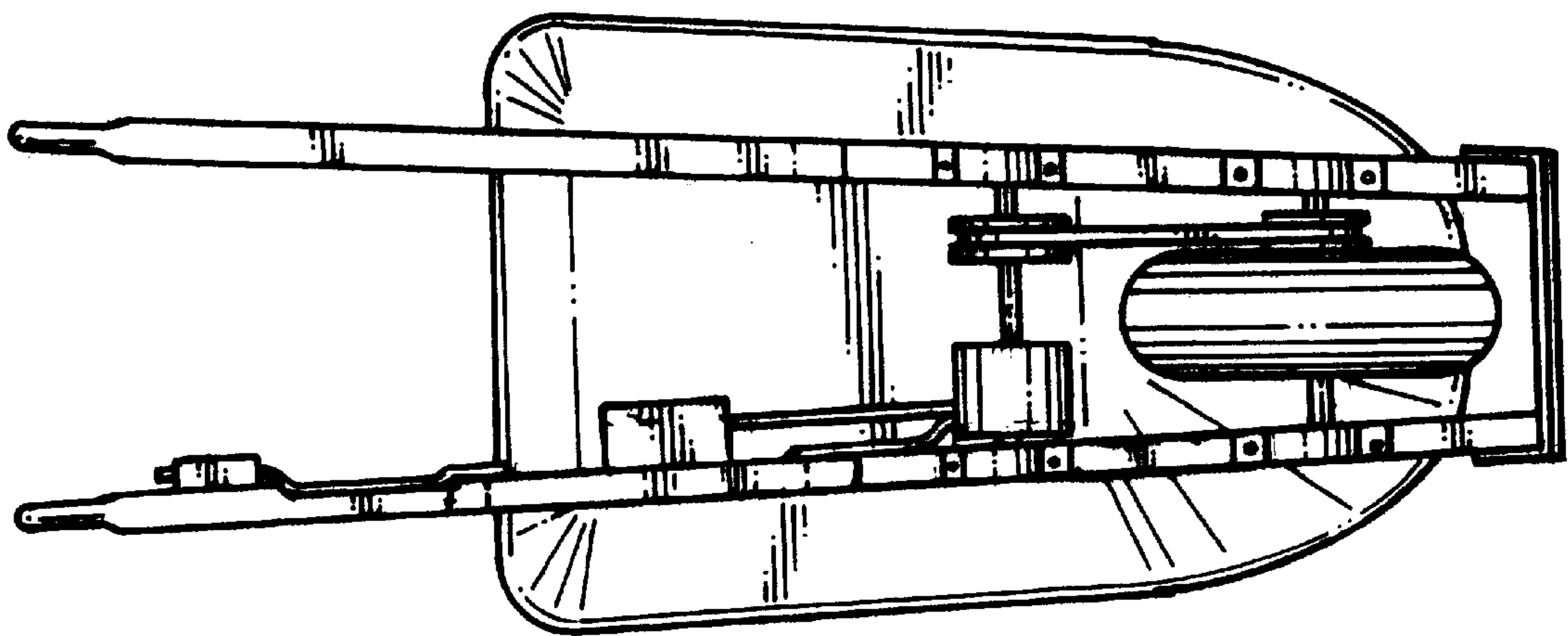


FIG. 7.