



US00D461612S

(12) **United States Design Patent**  
**Lobban et al.**

(10) **Patent No.:** **US D461,612 S**

(45) **Date of Patent:** **\*\* Aug. 13, 2002**

(54) **SHOPPING CART**

6,237,924 B1 5/2001 Reiland et al.

(75) Inventors: **Graham C. Lobban**, Waterloo;  
**William McDonald**, Kitchener, both of  
(CA)

*Primary Examiner*—Kay H. Chin

(73) Assignees: **RTS Plastics Inc.**, Waterloo (CA);  
**Redico Incorporated**, Buford, GA (US)

(57) **CLAIM**

The ornamental design for a shopping cart, as shown and described.

(\*\*) Term: **14 Years**

**DESCRIPTION**

(21) Appl. No.: **29/150,490**

FIG. 1 is a top and front side perspective view of a shopping cart showing our new design;

(22) Filed: **Nov. 26, 2001**

FIG. 2 is a top and rear side perspective view thereof;

(30) **Foreign Application Priority Data**

Sep. 13, 2001 (CA) ..... 2001-2167

FIG. 3 is a bottom and front side perspective view thereof;

(51) **LOC (7) Cl.** ..... **12-02**

FIG. 4 is a bottom and rear side perspective view thereof;

(52) **U.S. Cl.** ..... **D34/12; D34/27**

FIG. 5 is a left side elevation view thereof, the right side being a mirror image thereof;

(58) **Field of Search** ..... D34/12-27; 280/655,  
280/654, 47.29, 47.26, 33.991, 33.992,  
33.993, 79.3; D12/128, 130, 133; D6/333

FIG. 6 is a rear elevation view thereof;

FIG. 7 is a front elevation view thereof;

FIG. 8 is a top plan view thereof;

FIG. 9 is a bottom plan view thereof;

FIG. 10 is a view similar to FIG. 1 showing a shopping cart basket drawn in chain-dotted outline positioned in the shopping cart;

(56) **References Cited**

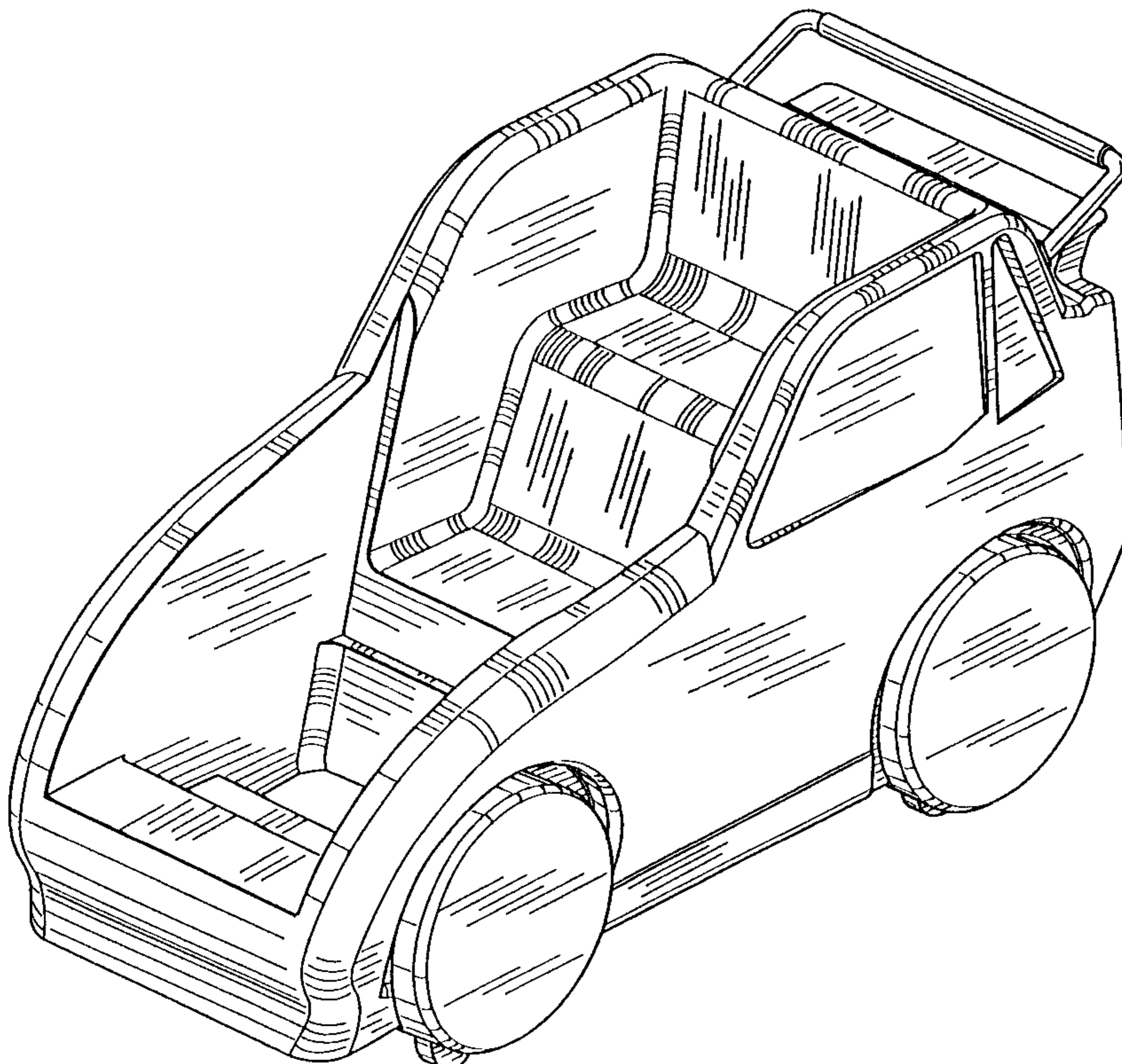
**U.S. PATENT DOCUMENTS**

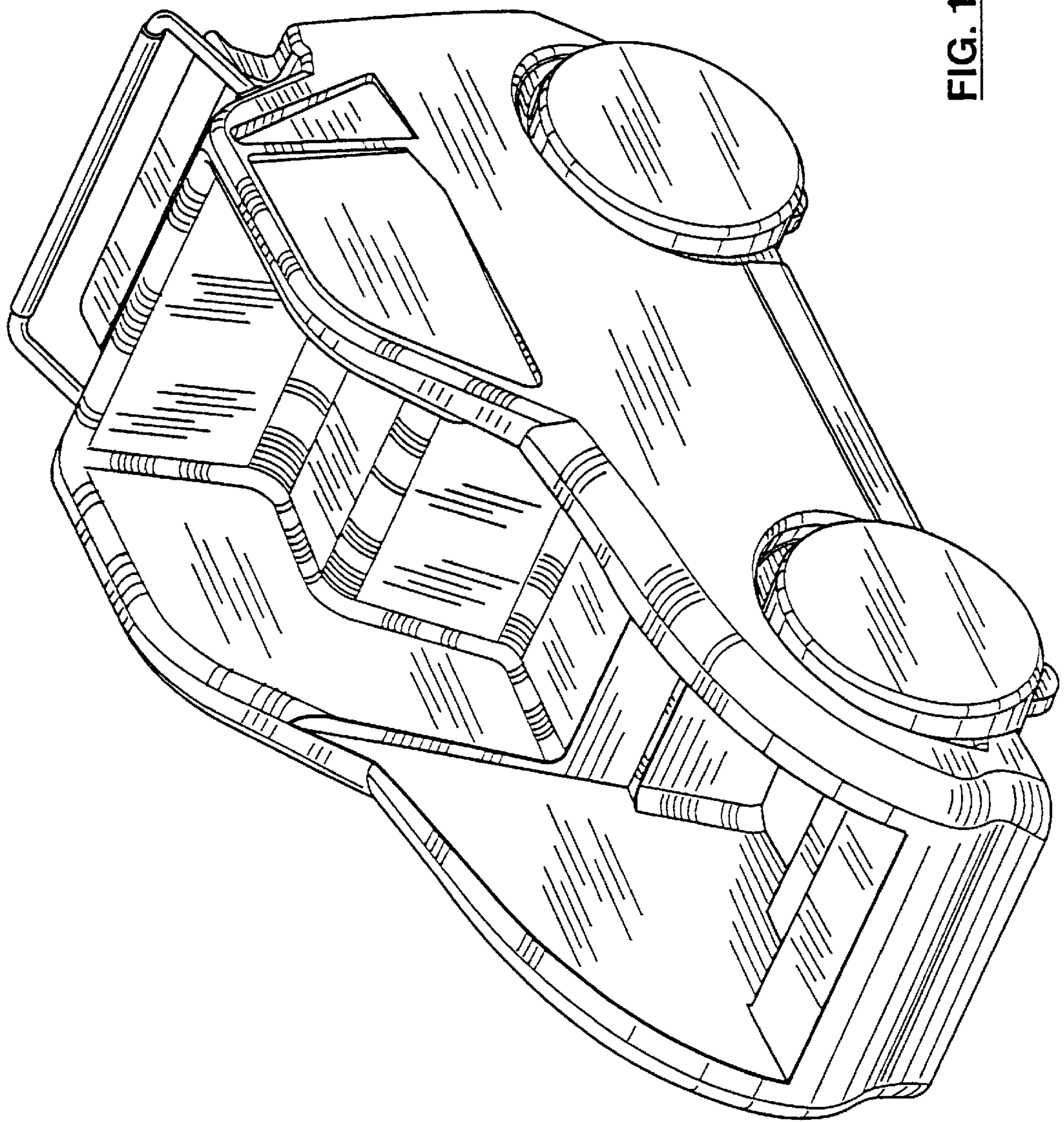
D357,105 S	4/1995	Reiland et al.
D399,659 S	10/1998	Reiland et al.
5,823,548 A	10/1998	Reiland et al.
5,882,021 A	3/1999	Reiland et al.
6,022,031 A	2/2000	Reiland et al.

FIG. 11 is a view similar to FIG. 3 showing the shopping cart basket drawn in chain-dotted outline positioned in the shopping cart; and,

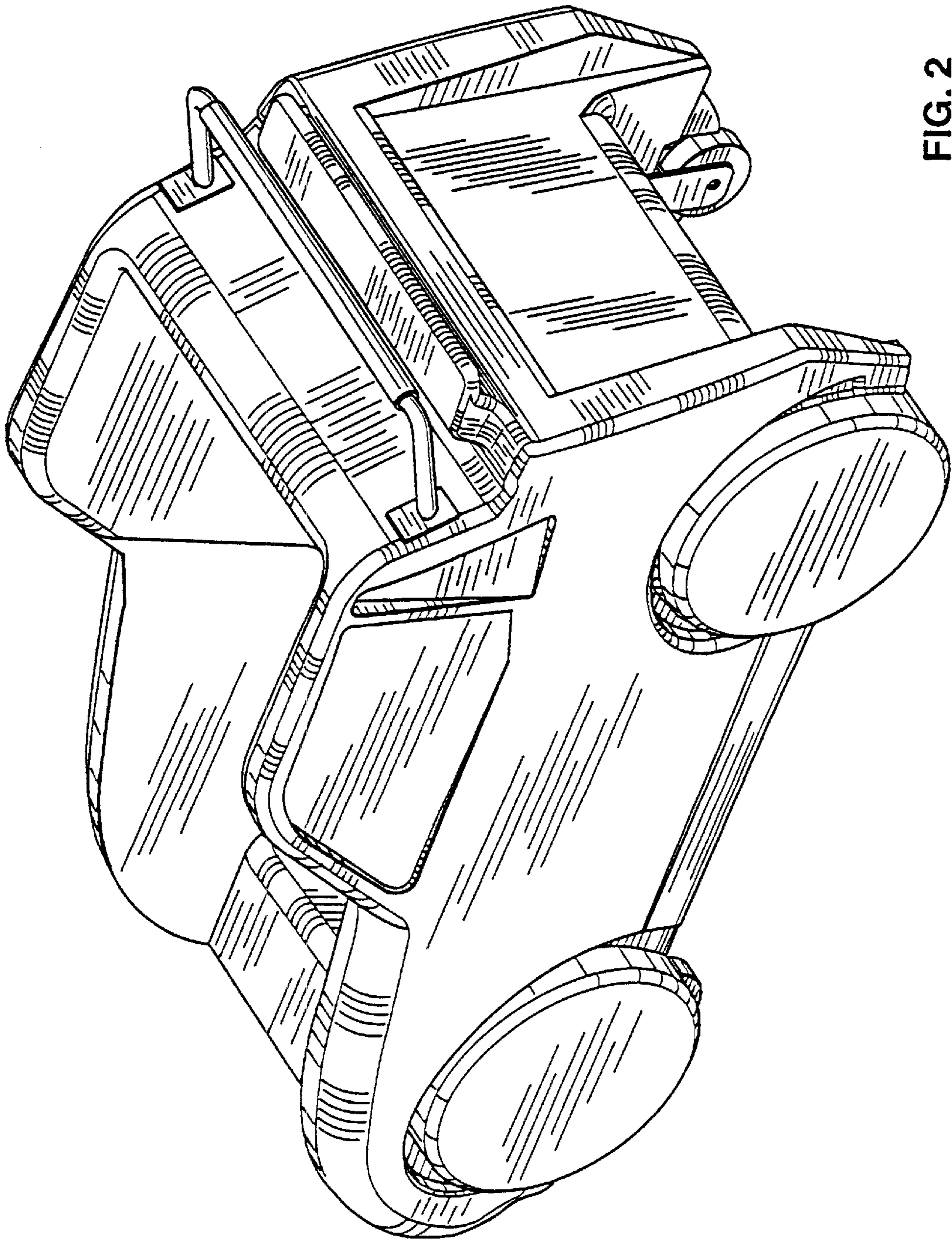
FIG. 12 is a view similar to FIG. 5 showing the shopping cart basket drawn in chain-dotted outline positioned in the shopping cart.

**1 Claim, 12 Drawing Sheets**

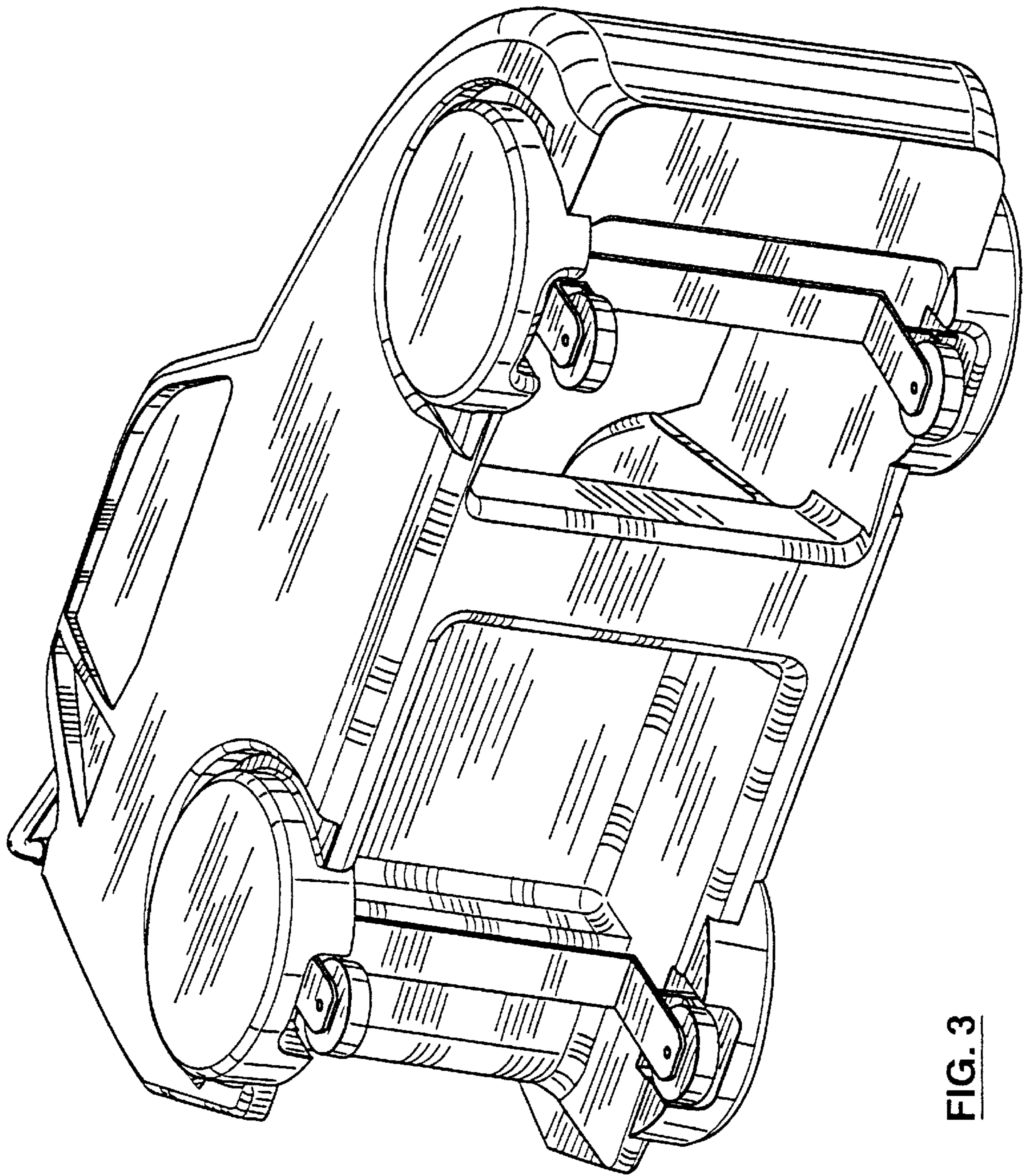




**FIG. 1**



**FIG. 2**



**FIG. 3**

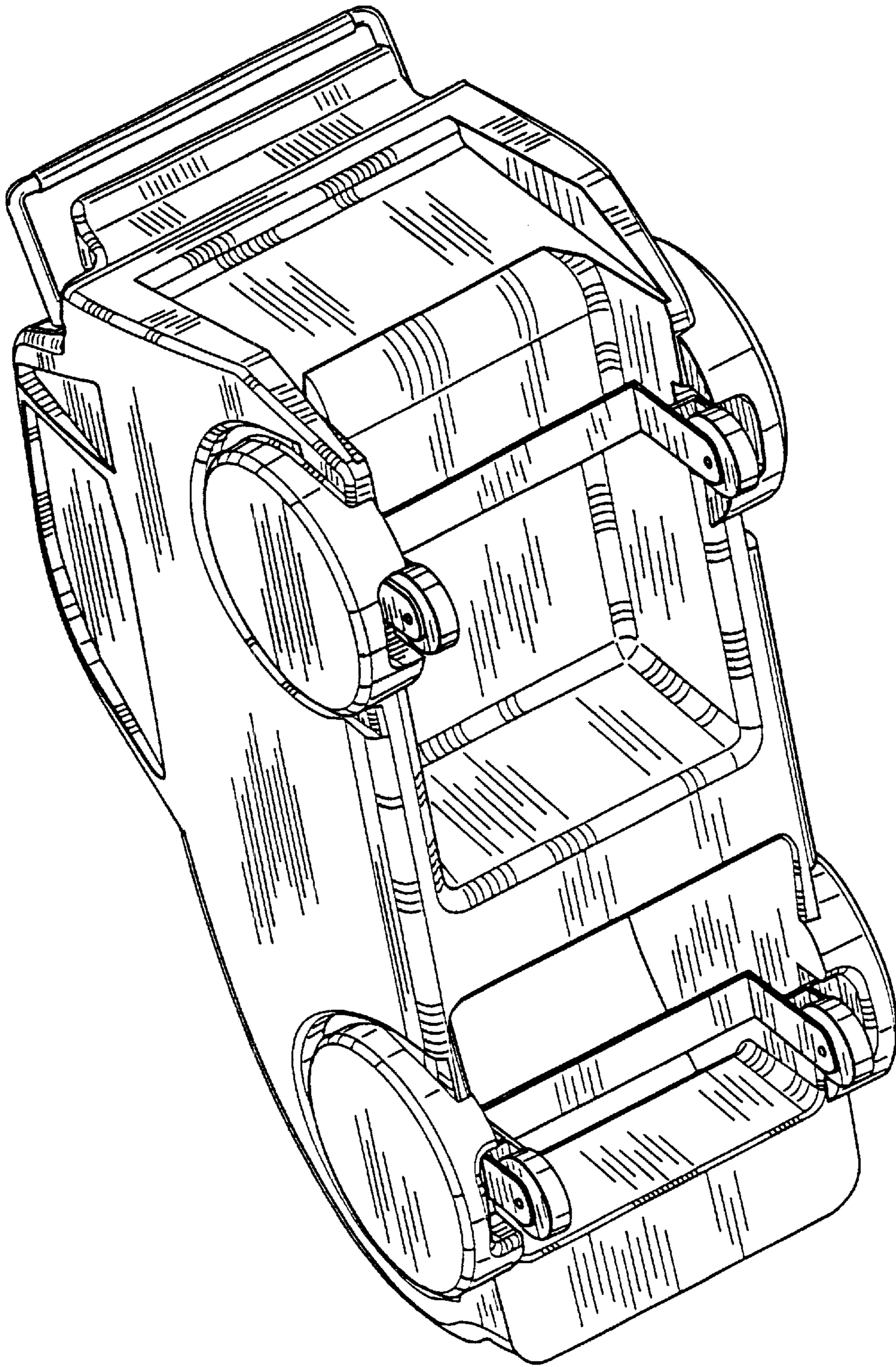


FIG. 4

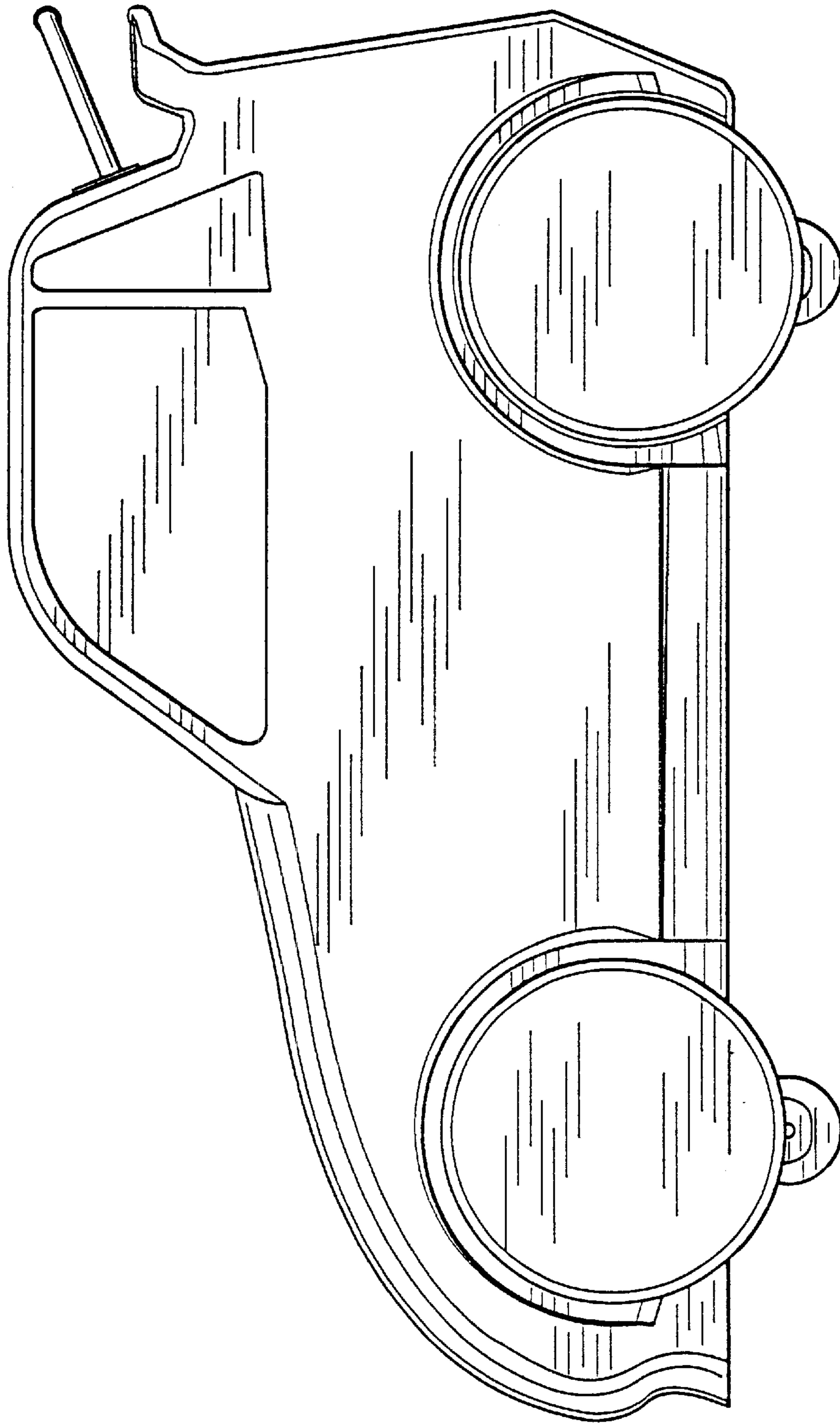


FIG. 5

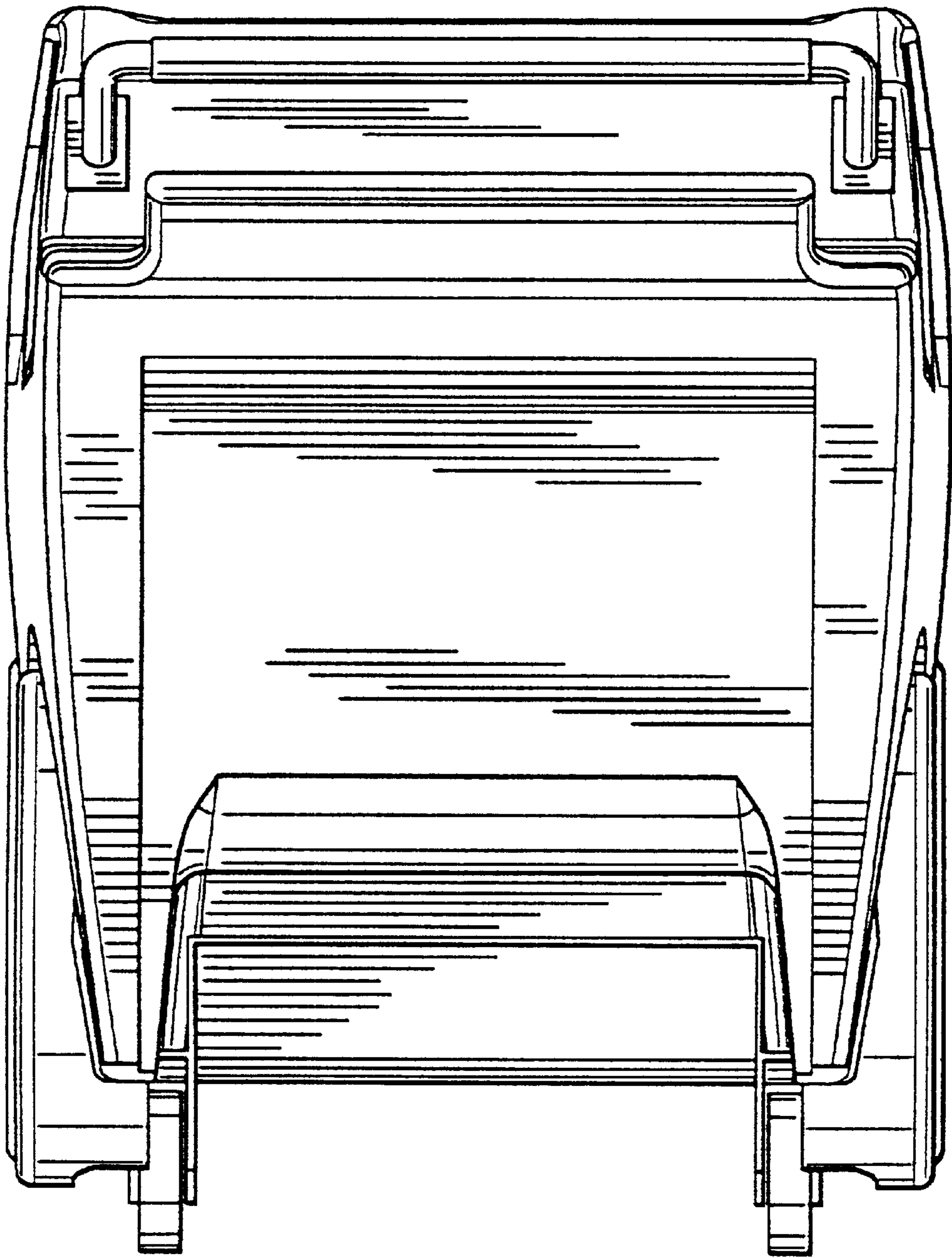


FIG. 6

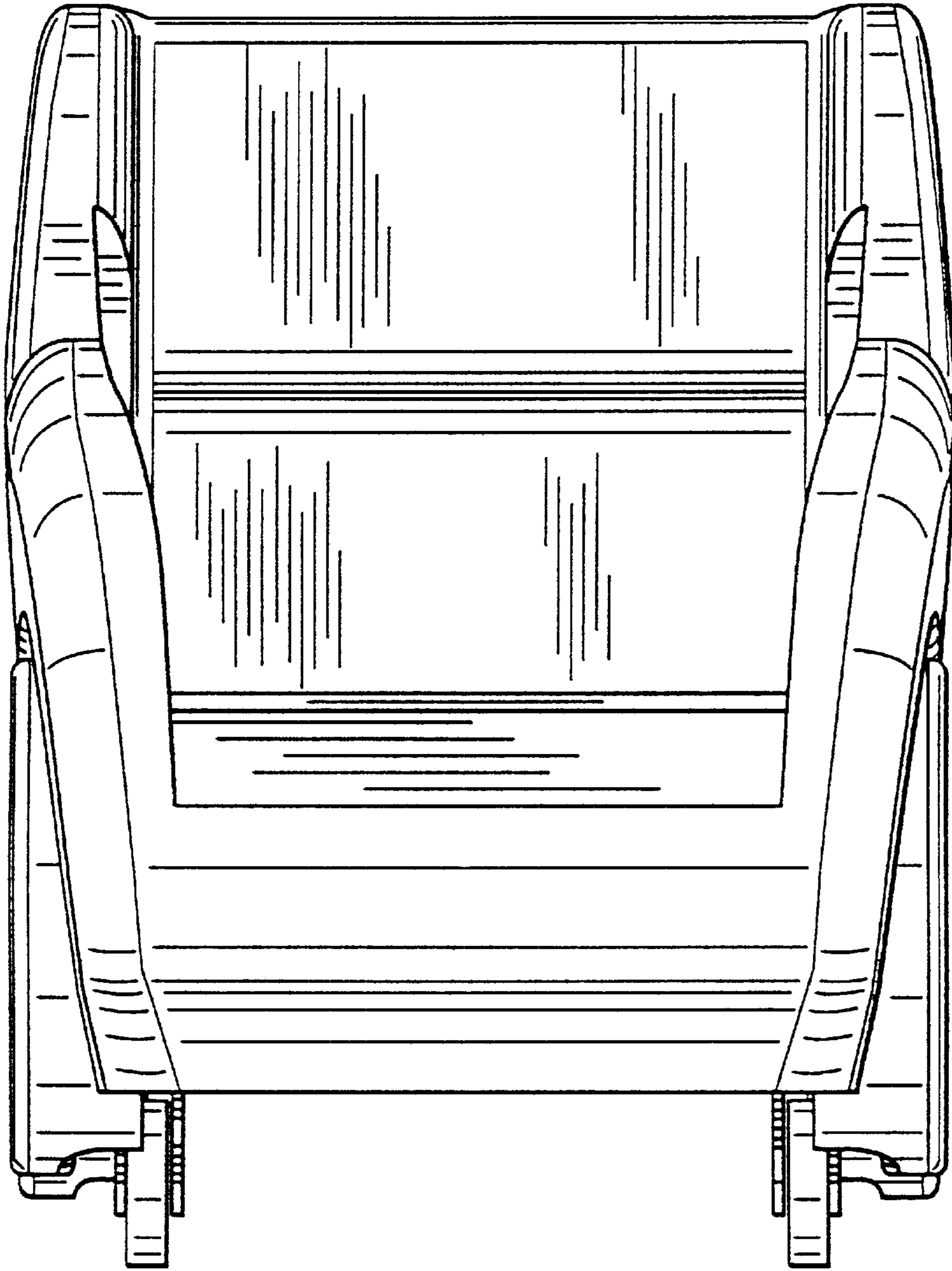


FIG. 7



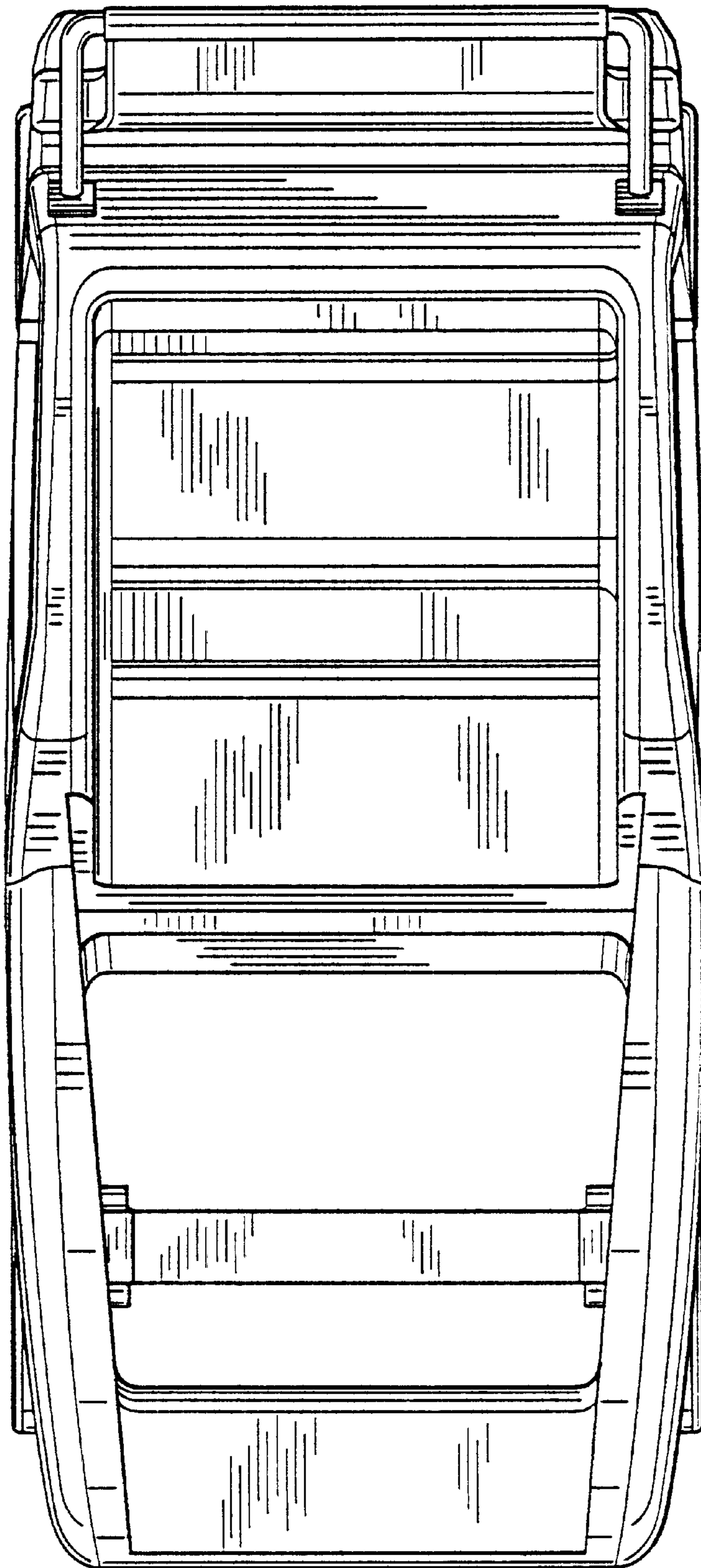


FIG. 8

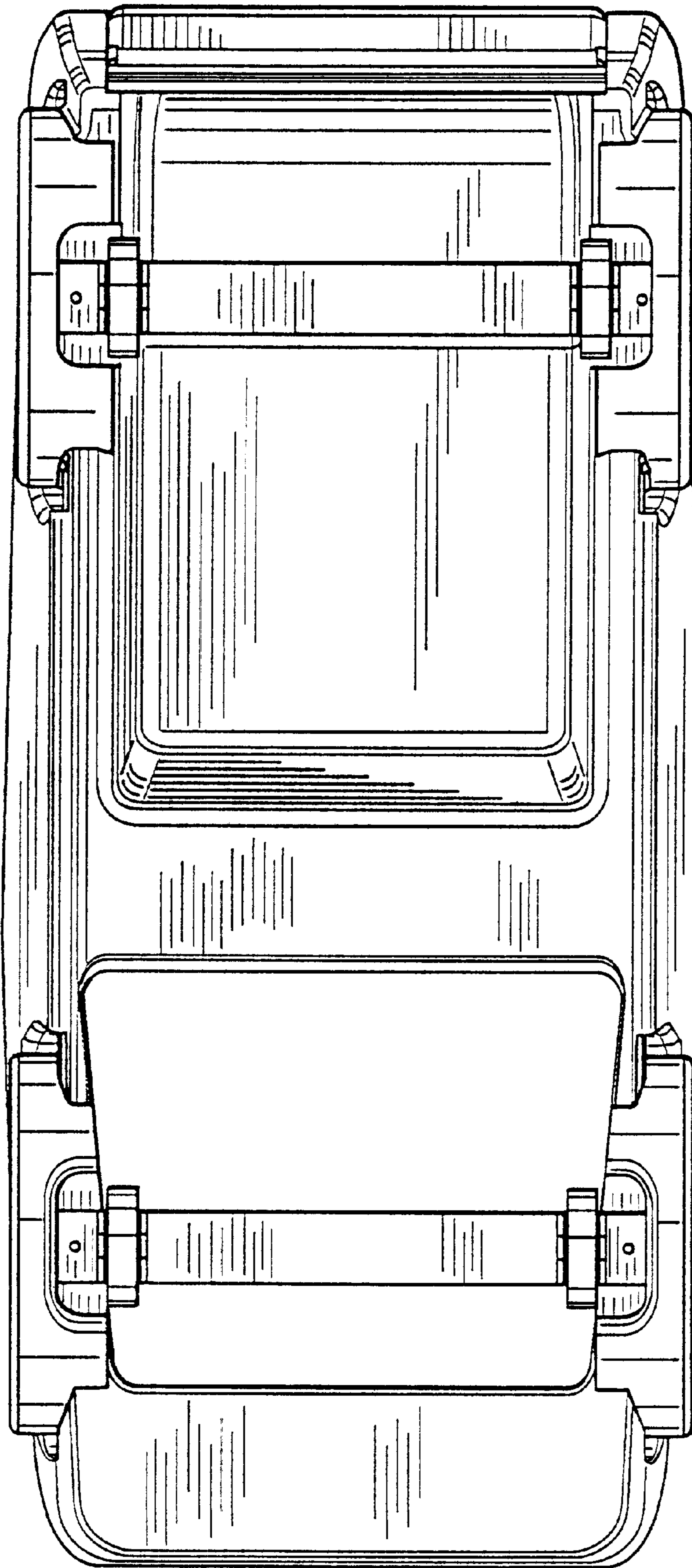


FIG. 9

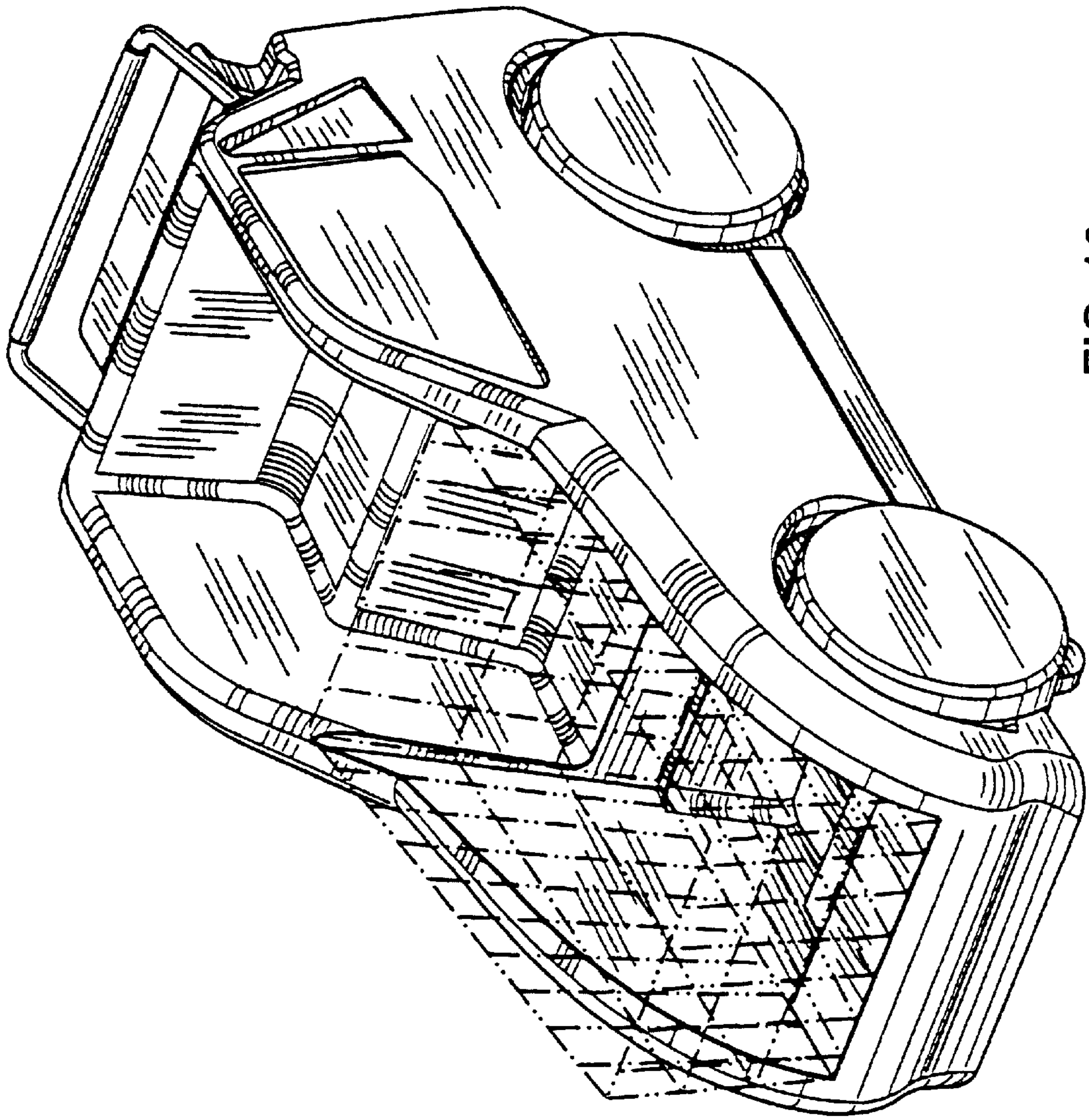
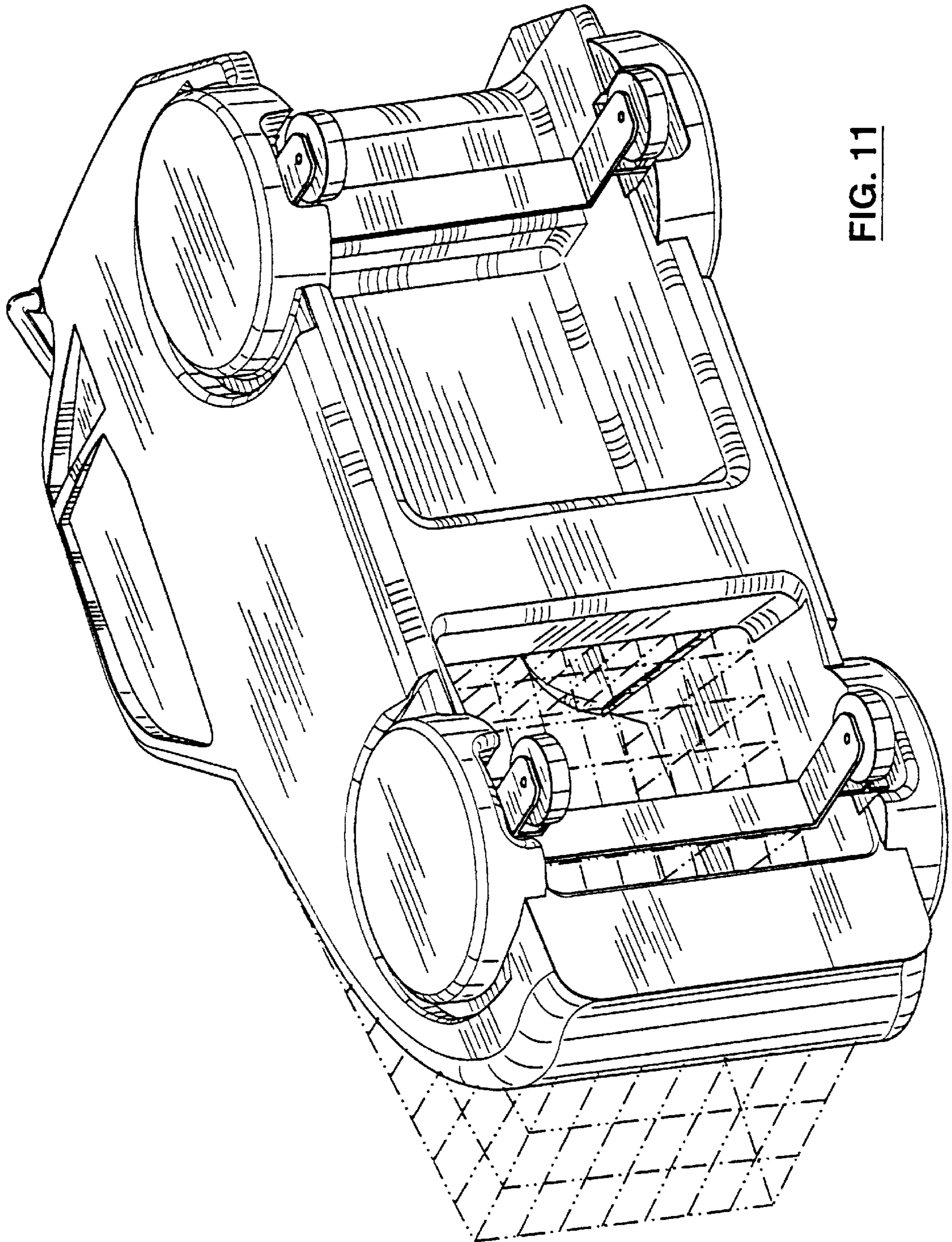


FIG. 10



**FIG. 11**

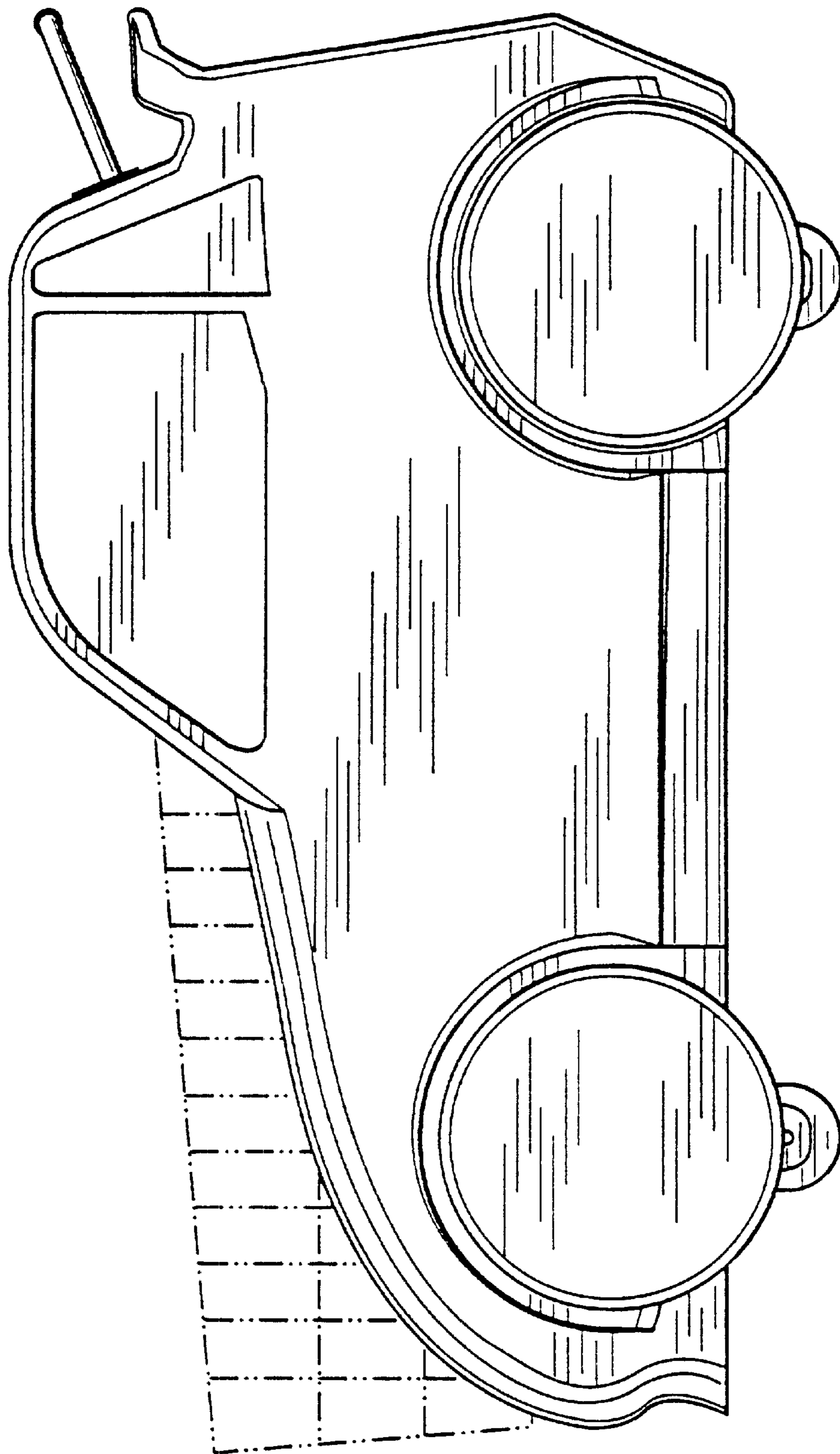


FIG. 12