

US00D461611S

(12) **United States Design Patent**
Weiss et al.

(10) **Patent No.:** **US D461,611 S**

(45) **Date of Patent:** **** Aug. 13, 2002**

(54) **SQUARED SIDE DOOR RECEPTACLE WITH
FLAT RIBBED TOP**

(75) Inventors: **Richard E. Weiss; Sam Weiss**, both of
Pottsville, PA (US)

(73) Assignee: **United Metal Receptacle, Inc.**,
Pottsville, PA (US)

(**) Term: **14 Years**

(21) Appl. No.: **29/130,966**

(22) Filed: **Oct. 12, 2000**

Related U.S. Application Data

(62) Division of application No. 29/118,088, filed on Feb. 3,
2000, now Pat. No. Des. 442,753.

(51) **LOC (7) Cl.** **09-09**

(52) **U.S. Cl.** **D34/1**

(58) **Field of Search** D34/1, 4, 5, 6,
D34/7, 9, 10; 220/908, 909, 910, 911

(56) **References Cited**

U.S. PATENT DOCUMENTS

D229,279 S 11/1973 Kay et al. D34/1
3,793,756 A 2/1974 Kay et al. 220/908 X

D232,211 S 7/1974 Kay et al. D34/1
D234,288 S 2/1975 Kay et al. D34/1
D246,496 S 11/1977 Weckwerth D34/1
D288,494 S 2/1987 Palmer D34/5
D349,997 S 8/1994 Ullmann D34/1
D410,124 S 5/1999 Nilsson et al. D34/1
D419,605 S 1/2000 Thomas et al. D34/1 X
D420,479 S 2/2000 Delmerico D34/1

Primary Examiner—Cynthia E. Ramirez
(74) *Attorney, Agent, or Firm*—Duane Morris LLP

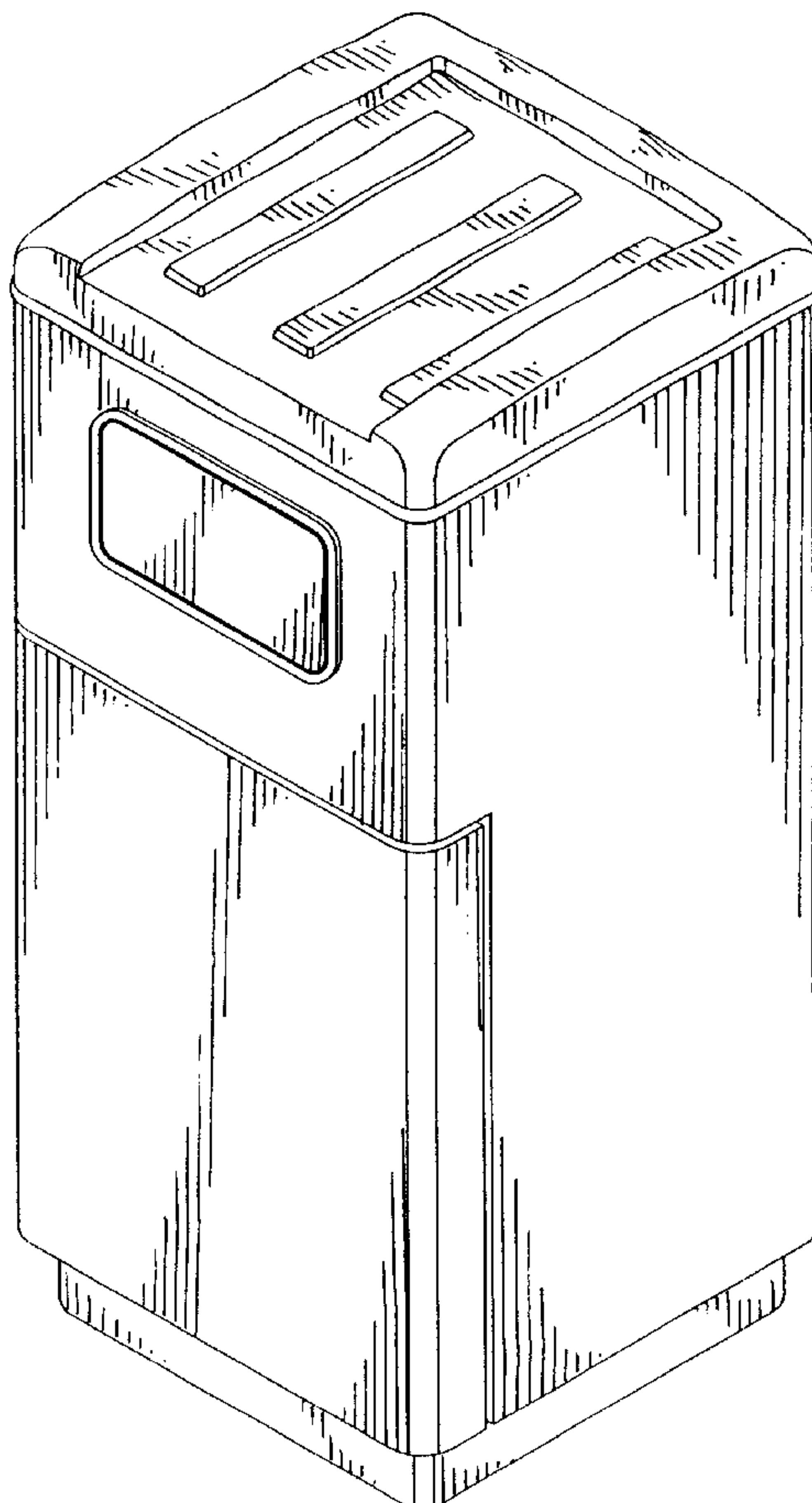
(57) **CLAIM**

The ornamental design of a squared side door receptacle
with flat ribbed top, as shown and described.

DESCRIPTION

FIG. 1 is a front perspective view of the squared side door
receptacle with flat ribbed top according to the new design;
FIG. 2 is a front perspective view thereof with the side door
open, an internal can being shown in broken lines and
forming no part of the subject design;
FIG. 3 is a front elevation view;
FIG. 4 is a rear elevation view showing a closed rear side;
FIG. 5 is a side elevation view from the right in FIG. 3;
FIG. 6 is a top plan view; and,
FIG. 7 is a bottom plan view.

1 Claim, 5 Drawing Sheets



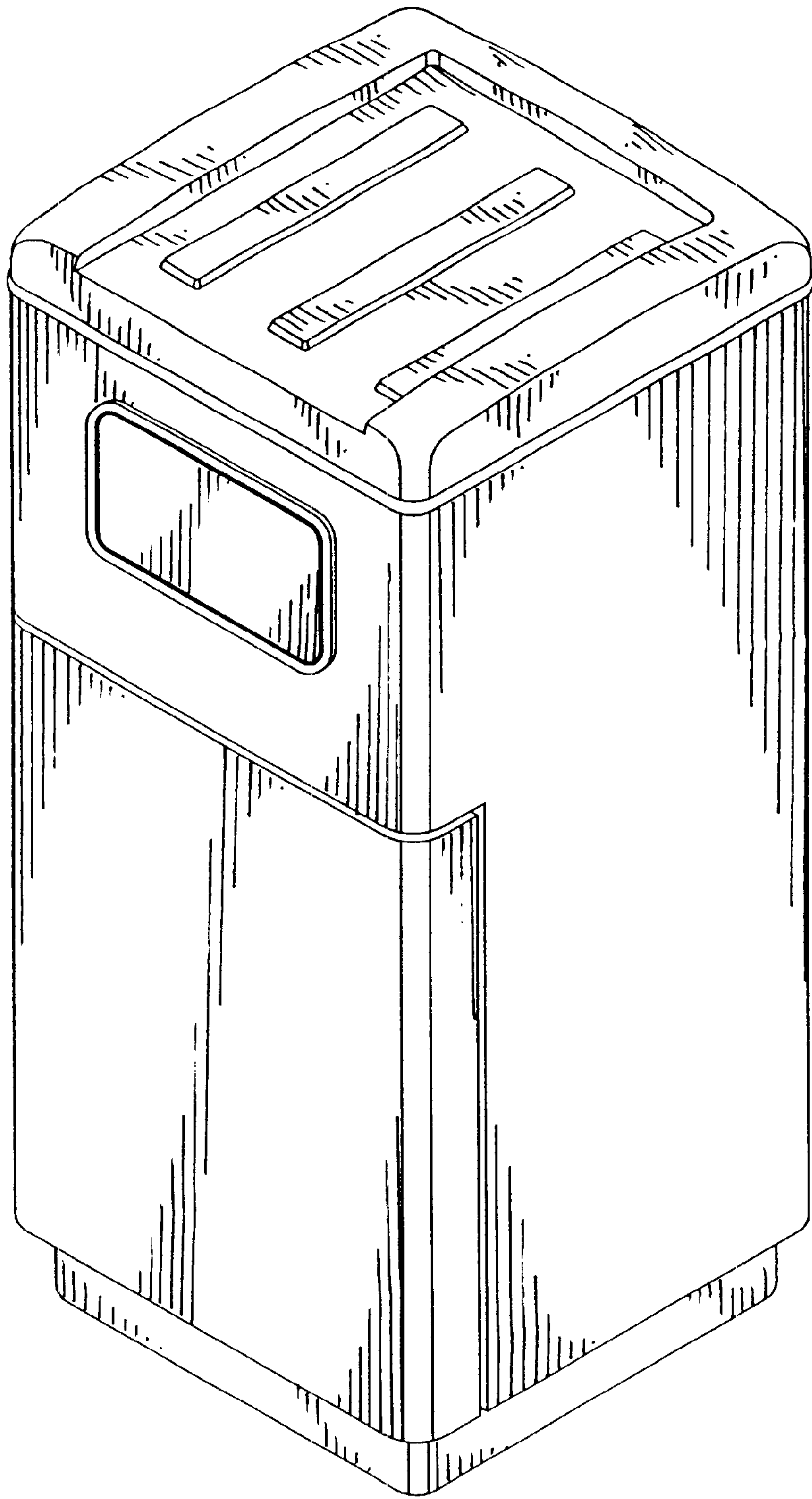


FIG. 1

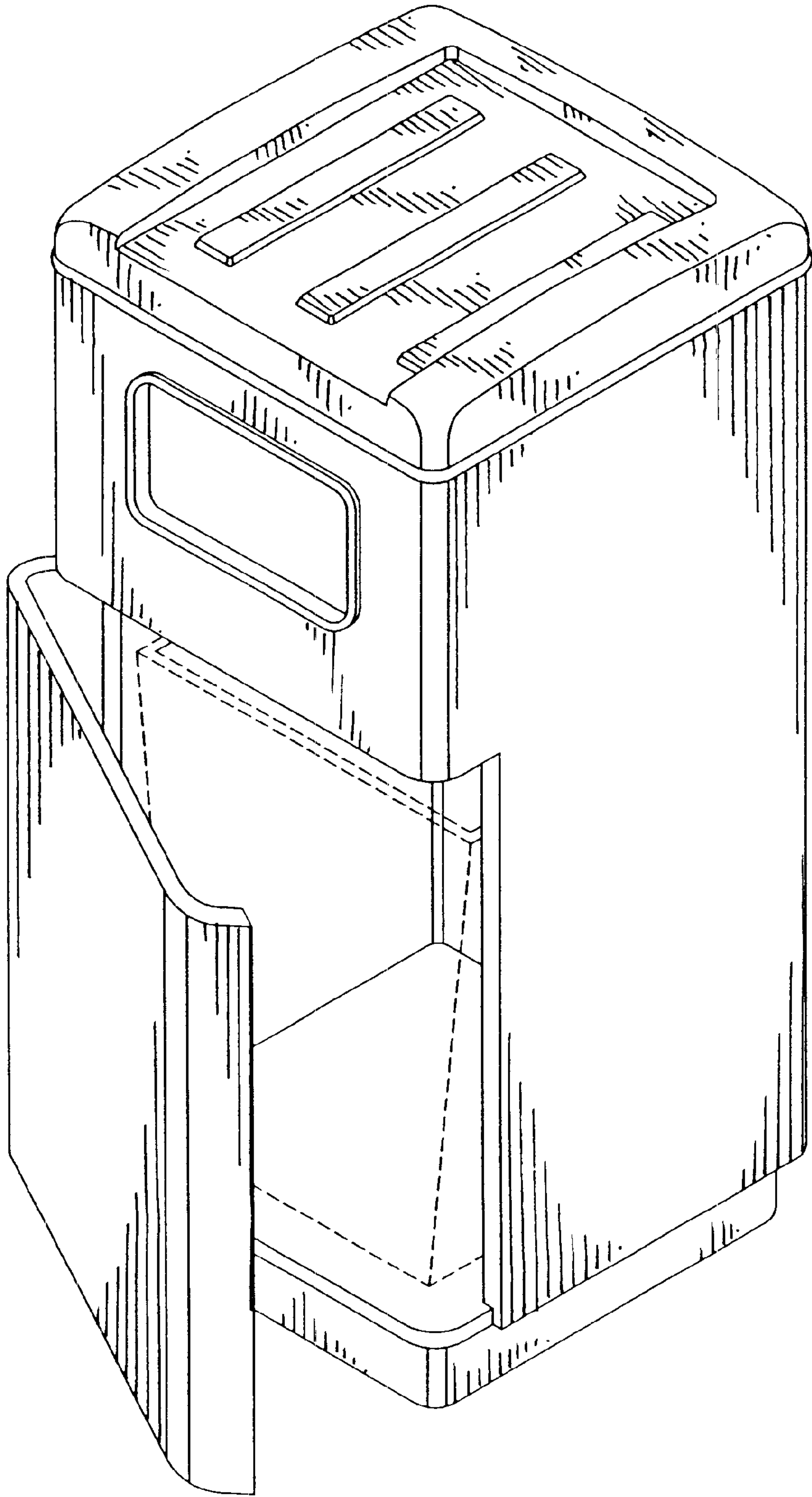


FIG. 2

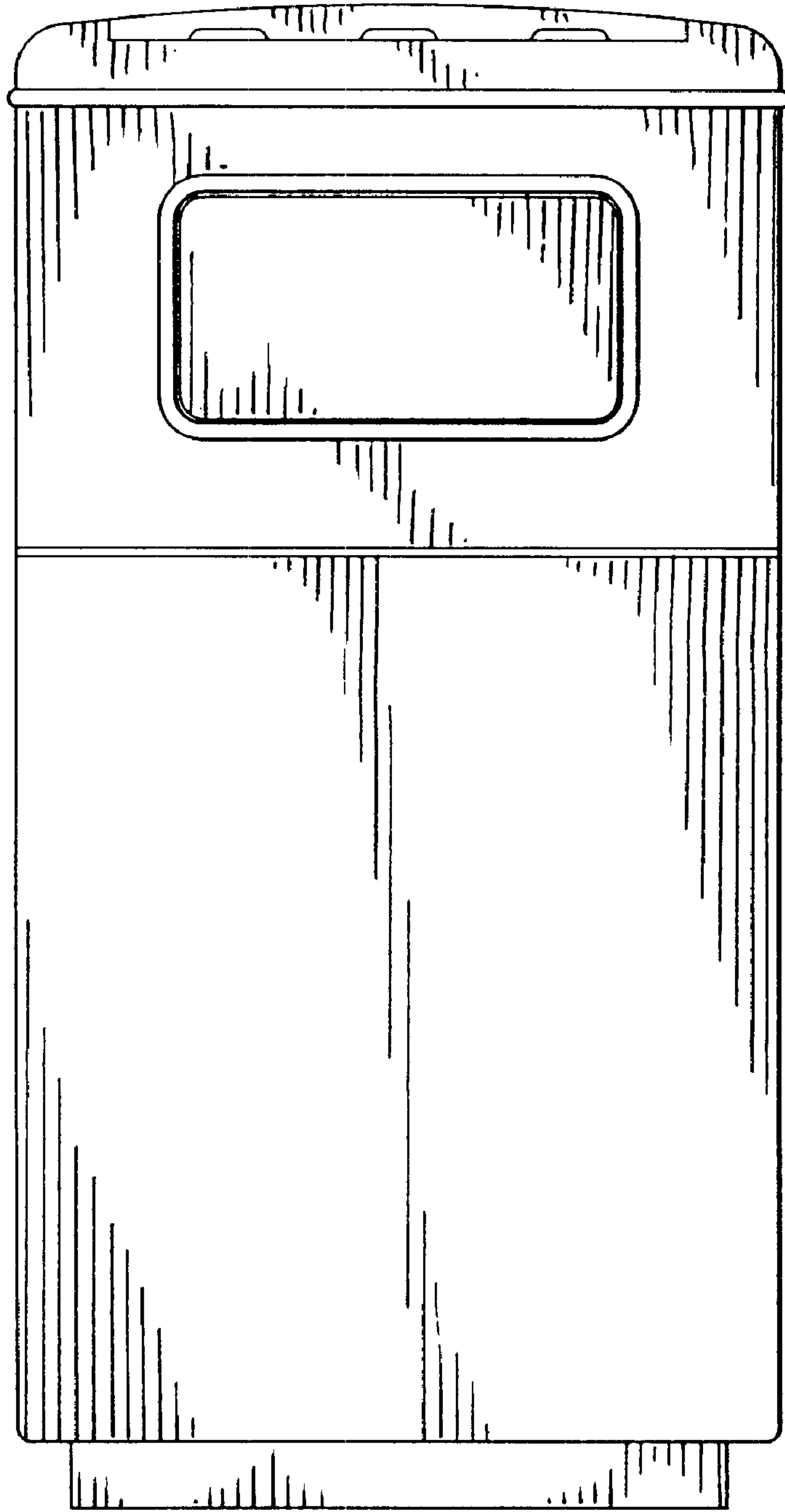


FIG. 3

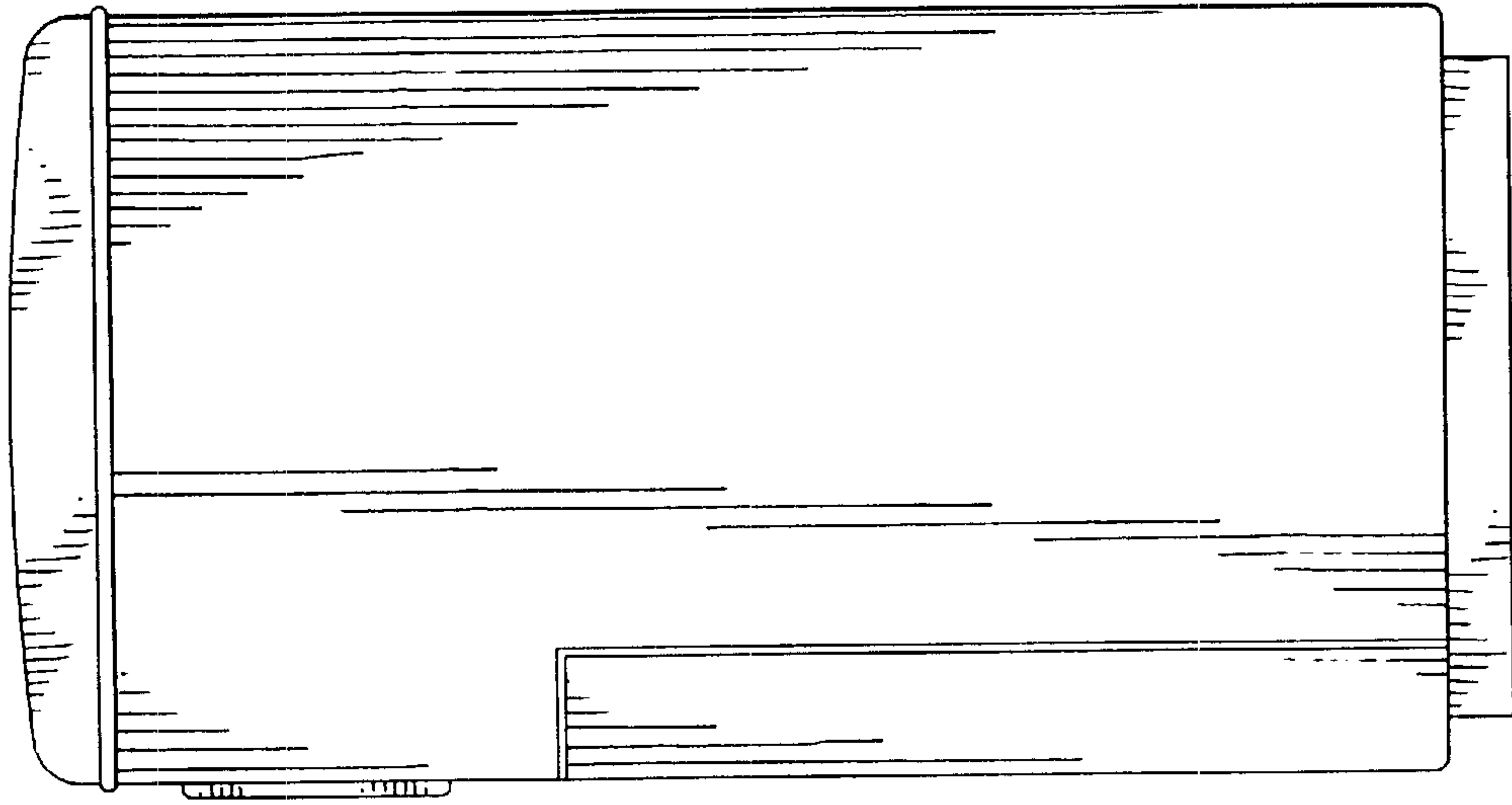


FIG. 5

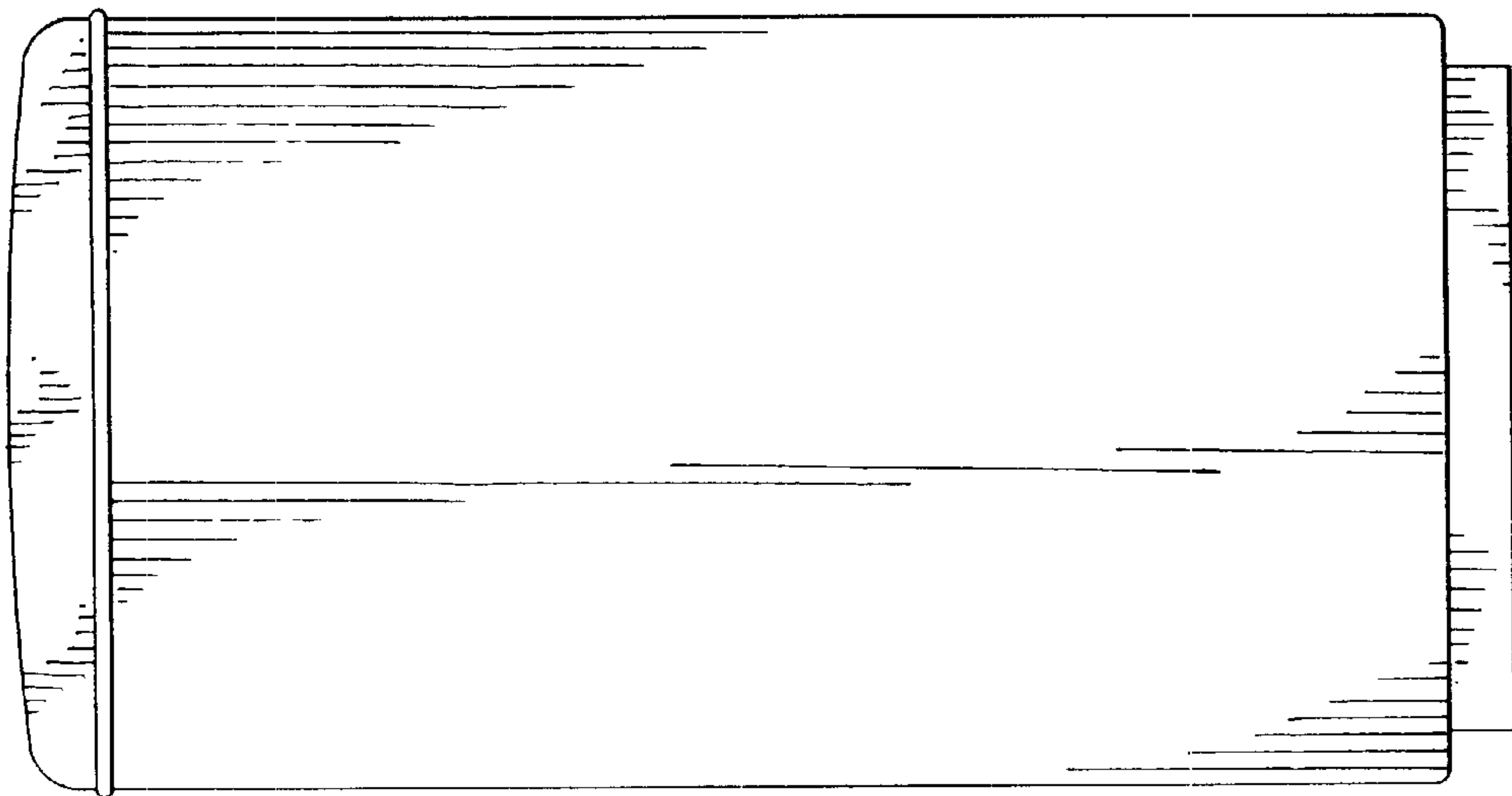


FIG. 4

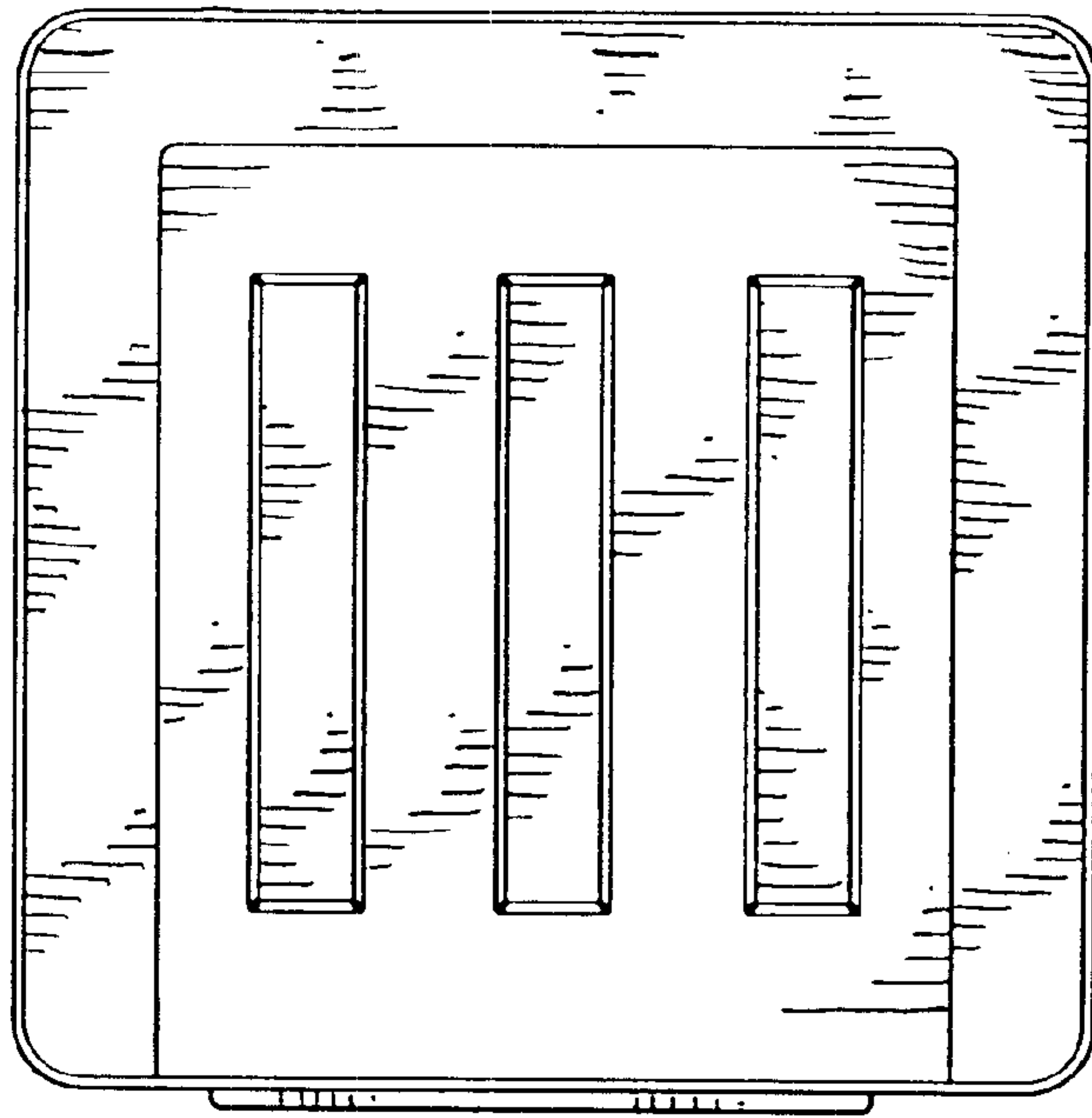


FIG. 6

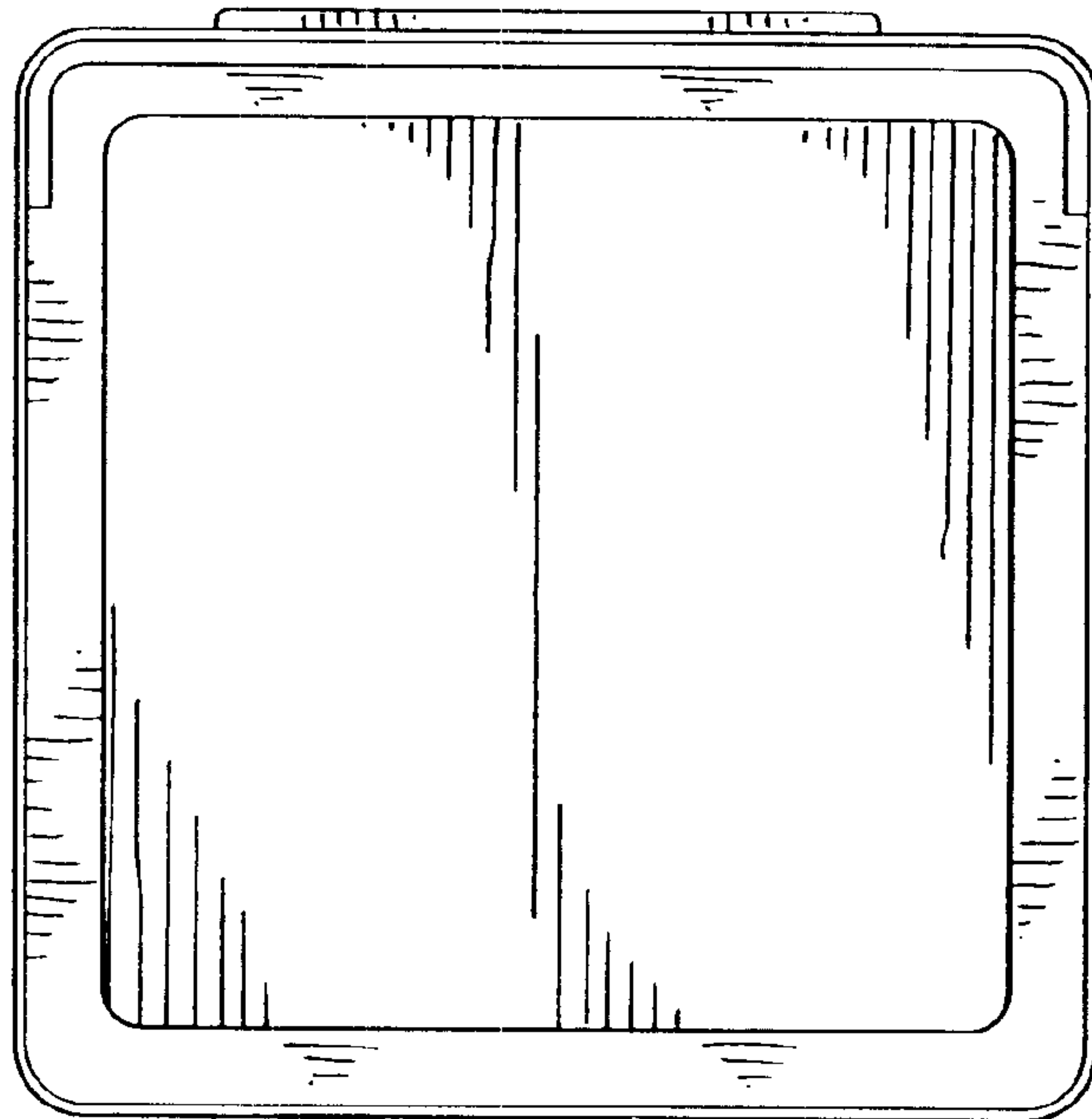


FIG. 7