



US00D461610S

(12) **United States Design Patent**
Perelli

(10) **Patent No.:** **US D461,610 S**

(45) **Date of Patent:** **** Aug. 13, 2002**

(54) **DUST PAN WITH WEAR REDUCING MEMBERS**

(75) Inventor: **Thomas Perelli**, Winchester, VA (US)

(73) Assignee: **Rubbermaid Commercial Products LLC**, Winchester, VA (US)

(**) Term: **14 Years**

(21) Appl. No.: **29/130,586**

(22) Filed: **Oct. 5, 2000**

(51) **LOC (7) Cl.** **07-05**

(52) **U.S. Cl.** **D32/74**

(58) **Field of Search** D32/74; 15/257.4,
15/257.8, 257.9, 257.1

(56) **References Cited**

U.S. PATENT DOCUMENTS

956,968	A	*	5/1910	Hubert	15/257.4
978,724	A	*	12/1910	Folsom et al.	15/257.4
1,082,128	A	*	12/1913	Low	15/257.8
1,135,519	A	*	4/1915	Haldenwang	15/257.9
1,484,725	A	*	2/1924	Lewis	15/257.4
1,605,534	A	*	11/1926	Dupre	15/257.4
1,645,806	A	*	10/1927	Fries	15/257.1
2,176,135	A	*	10/1939	Horst	15/257.4
2,263,177	A	*	11/1941	Lewis	15/257.1

(List continued on next page.)

FOREIGN PATENT DOCUMENTS

JP 9187412 7/1997

OTHER PUBLICATIONS

Continental, Sanitary Maintenance Equipment and Supplies, "Sweepers & Dust Pans", p. 16.
Caddie, Services Généraux, "Pelle debout", p. 36.
Continental, Sanitary Maintenance Equipment and Supplies, "Self-closing Lobby Dust Pans", p. 21, 1984.

Ex-Cell Metal Products, Inc., "Dust Pans", p. 6-7, 1993-94. Cleaning & Maintenance Ware—Catalog.

Impact Products, Maintenance Supplies, "L" Grip Lobby Dust Pan, p. 23, Jul. 1998.

(List continued on next page.)

Primary Examiner—Cynthia E. Ramirez

(74) *Attorney, Agent, or Firm*—Foley & Lardner

(57) **CLAIM**

The ornamental design for a dust pan with wear reducing members, as shown and described.

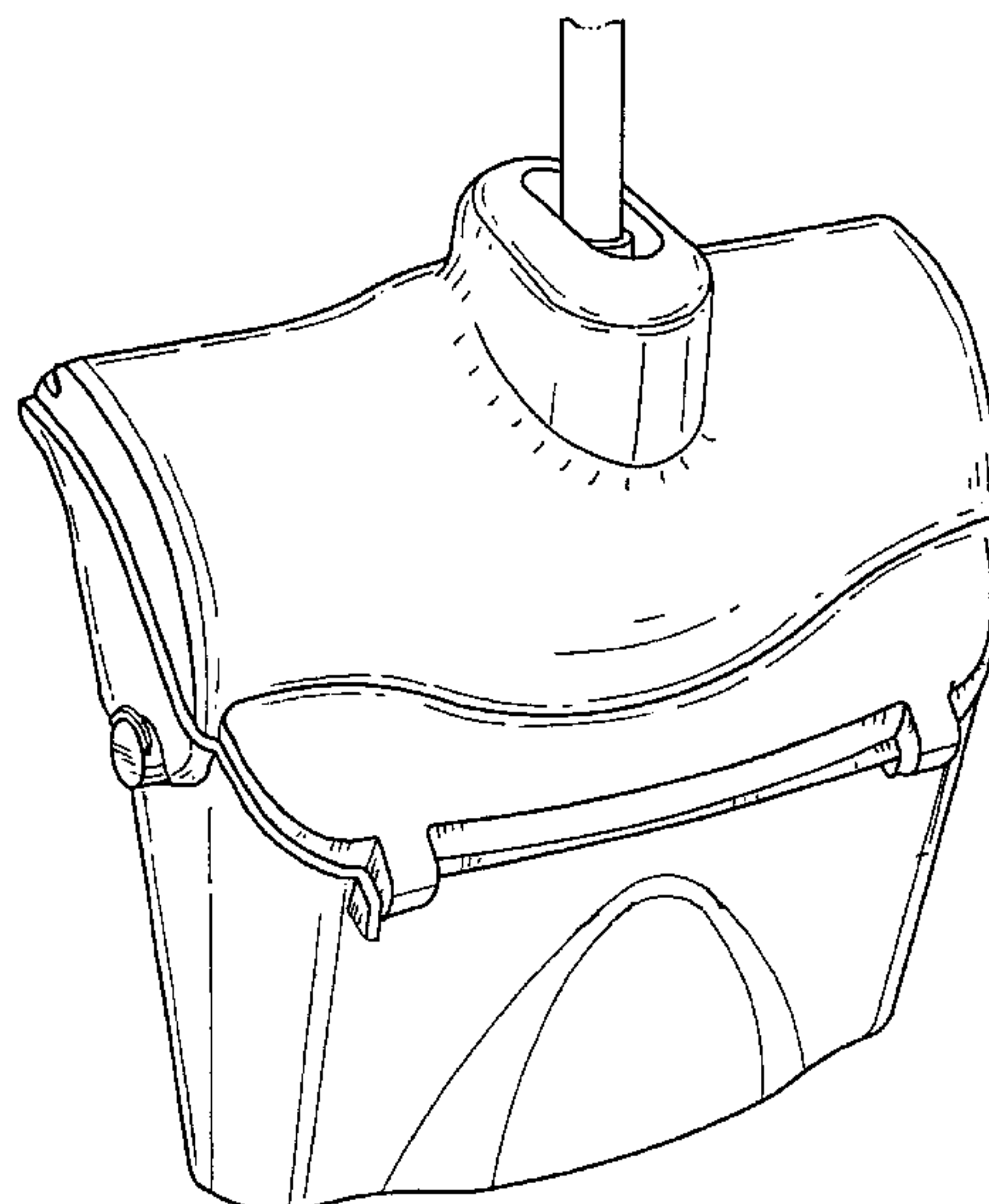
DESCRIPTION

FIG. 1 is a top side perspective view of the dust pan with wear reducing members with a cover in a closed position; FIG. 2 is a bottom side perspective view of the dust pan with wear reducing members with a cover in a closed position; FIG. 3 is a frontal perspective view of the dust pan with wear reducing members with a cover in an open position; FIG. 4 is a rearward perspective view of the dust pan with wear reducing members with a cover in an open position; FIG. 5 is a left side view of the base with a cover in an open position, the right side view is the mirror image; FIG. 6 is a front side view of the base with a cover in an open position; FIG. 7 is a top side view of the base with a cover in an open position; FIG. 8 is a back side view of the base with a cover in an open position; and, FIG. 9 is a bottom side view of the base with a cover in an open position.

The broken lines in the drawings are for illustrative purposes only and form no part of the claimed design.

The handle is partially shown for convenience of illustration.

1 Claim, 9 Drawing Sheets



U.S. PATENT DOCUMENTS

2,399,850	A	*	5/1946	Benskin	15/257.4
3,861,730	A	*	1/1975	Ringo	15/257.1
3,971,095	A		7/1976	Fish, Sr.	15/257.7
4,050,110	A		9/1977	Donnelly	15/105
4,084,283	A		4/1978	Rosendall	15/48
4,124,913	A		11/1978	Rosendall	15/42
4,193,624	A		3/1980	Kerr	294/19 R
4,325,156	A		4/1982	Rosendall	15/41 R
4,357,727	A		11/1982	McDowell	15/41 R
4,498,207	A		2/1985	Rosendall	15/42
4,562,611	A		1/1986	Marttinen	15/257.7
4,631,774	A		12/1986	Kania	15/257.1
4,686,734	A		8/1987	Kahan	15/257.1
4,709,440	A		12/1987	Conelly	15/257.3
4,795,046	A		1/1989	Rath	220/1 T
4,823,422	A		4/1989	Yoshimura et al.	15/41 R
4,878,261	A		11/1989	Rosendall	15/41 R
5,012,542	A		5/1991	Lynn	15/1
5,020,185	A		6/1991	Hoefler	15/257.1
5,343,589	A		9/1994	Davenport	15/257.4
5,412,835	A		5/1995	Vosbikian et al.	15/257.7
5,425,153	A		6/1995	Vosbikian	15/257.2
5,437,078	A		8/1995	Courcelles	15/328
5,457,844	A		10/1995	Hanna et al.	15/257.3
D367,745	S		3/1996	Feldman et al.	D32/74
5,502,871	A		4/1996	Reyes	15/257.1
5,588,174	A		12/1996	Godfrey	15/257.2
5,594,975	A		1/1997	Christen	16/114 R
D383,002	S	*	9/1997	Rigney	D32/74
5,799,993	A		9/1998	Lafferty	294/1.4
D402,780	S		12/1998	Alt	D32/74

5,970,558	A		10/1999	Canavan	15/41.1
6,052,860	A		4/2000	Coxsey	15/257.2
D427,739	S		7/2000	Denmore	D32/74
6,233,780	B1	*	5/2001	Mead	15/257.3
6,282,745	B1	*	9/2001	Alt	15/257.4

OTHER PUBLICATIONS

Felmar Industrias LTDA, "Extra Heavy-Duty Dust Pan".
 Wilen Manufacturing Co., Inc., Circle 26, Maintenance
 Supplies "Lobby Dust Pans", p. 20, Jul. 1997.
 White Mop Wringer Company, "Plastic Dust and Lobby
 Pans", "Metal Dust and Lobby Pans", p. 12, Jan. 1995.
 White Price List, "Dust Pans", "Lobby Pans", p. 7, Apr.
 1988.
 "Upright Dustpan and Brush", p. 85.
 Cleaning & Maintenance Management, IMPACT, Floor
 Care Products, "Lobbymaster Dust Pan", "Floor Guard",
 Oct. 1998.
 "Utility Dust Pan", "Jumbo Dust Pan", "Lobby Dust Pans",
 p. 43.
 White Mop Wringer Company, Distributor List Prices, Floor
 Mopping Equipment and Maintenance Accessories,
 "Hooded" Dust Pan, "Lobby" Dust Pan, "Pick-up" Dust
 Pan, Feb. 1977.
 Industrias Felmar LTDA. Catalog, Extra Heavy-Duty Dust
 Pan; CAT Aug. 1992.
 Cleaning & Maintenance Ware, C-227, Japan.
 Techno Trolley System Catalog, The Paddy.

* cited by examiner

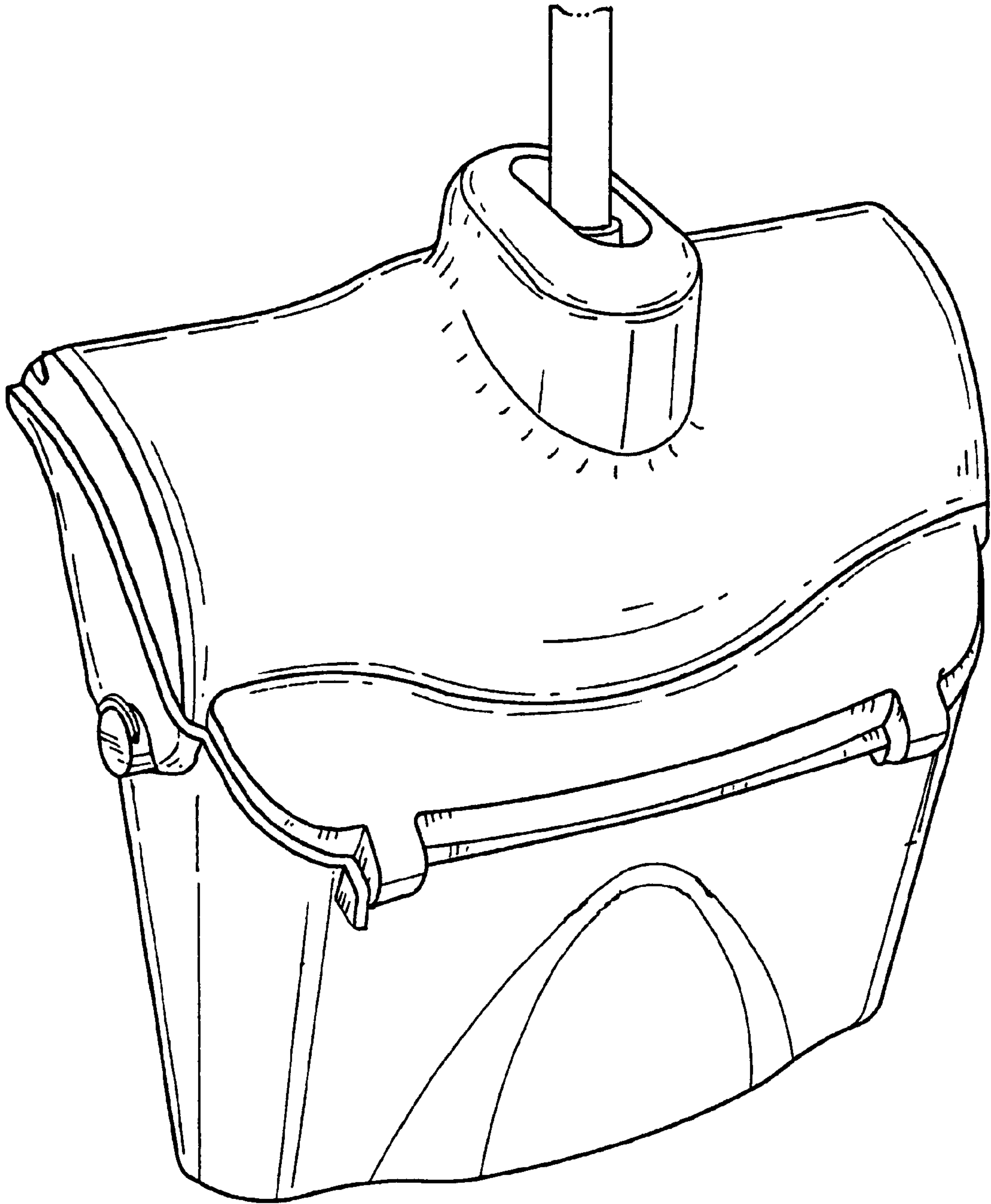


FIG. 1

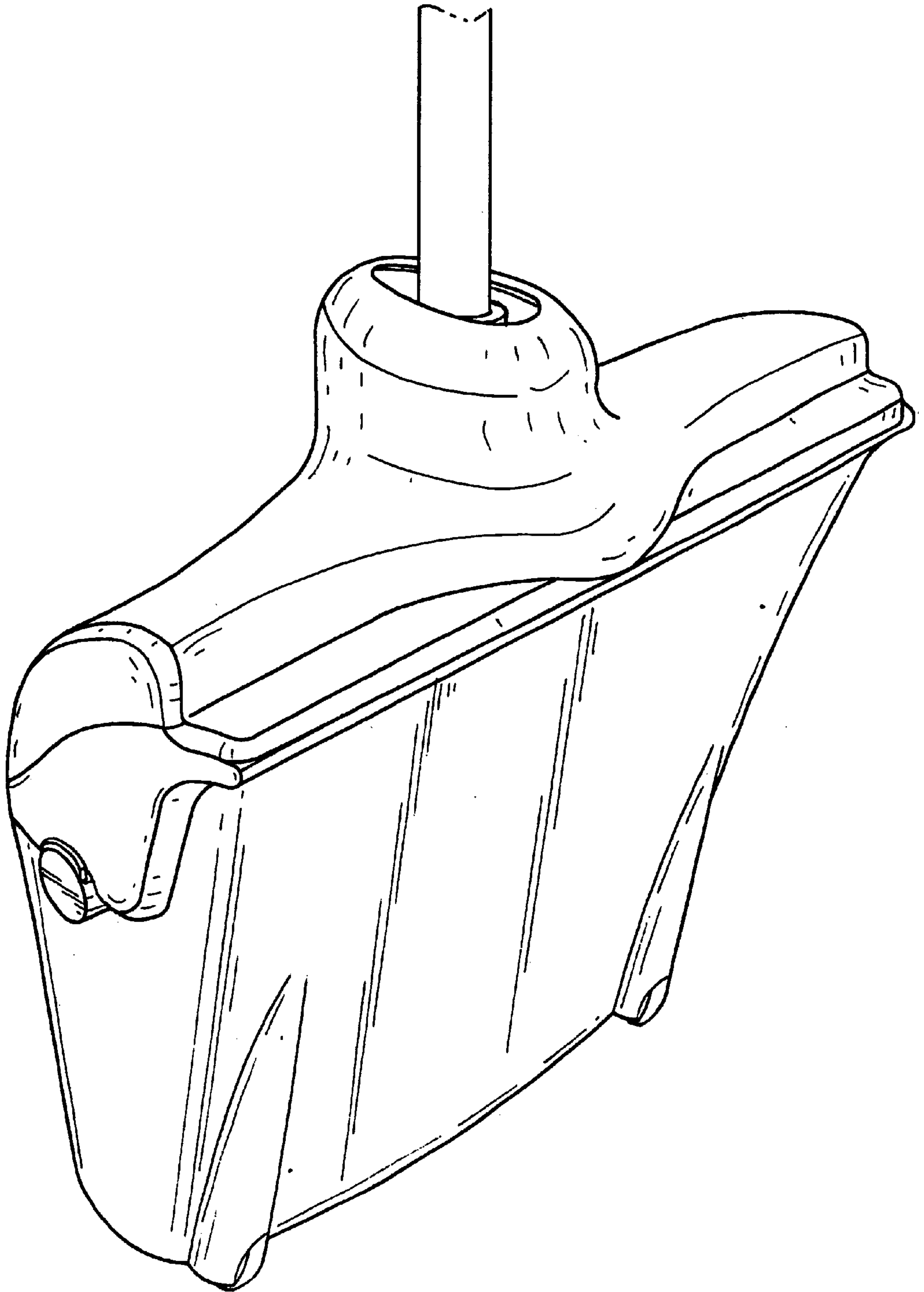


FIG. 2

FIG. 3

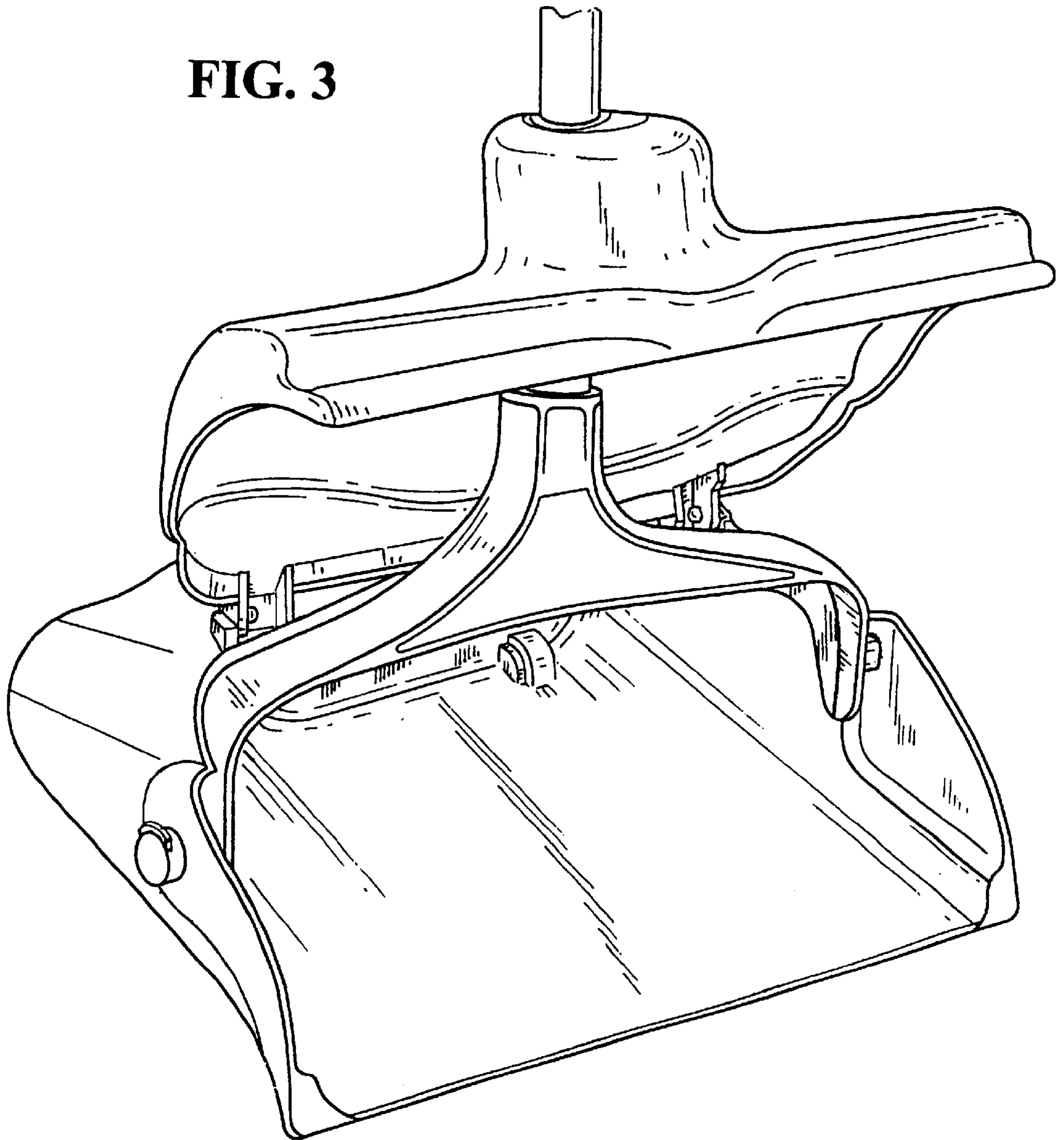
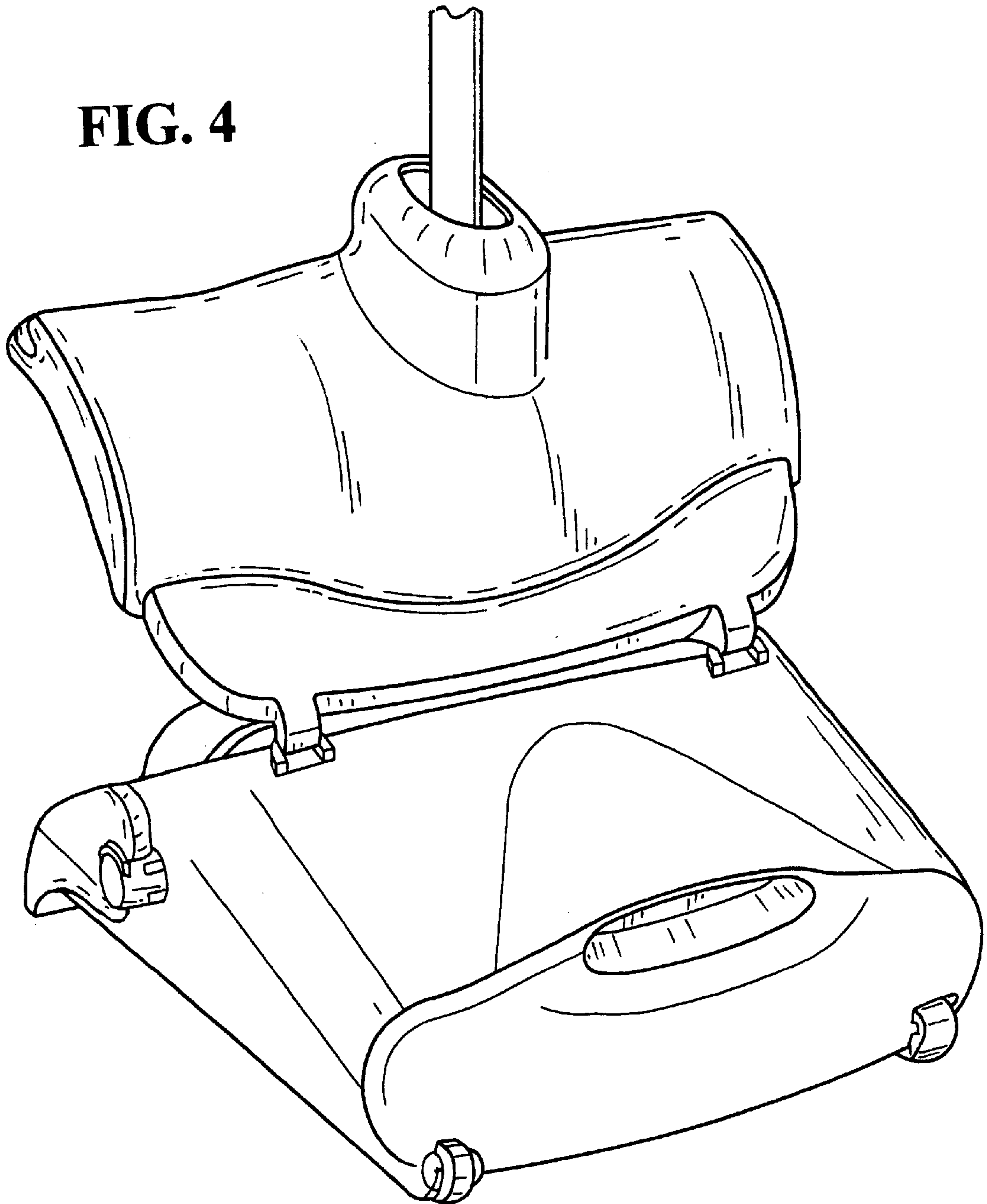


FIG. 4



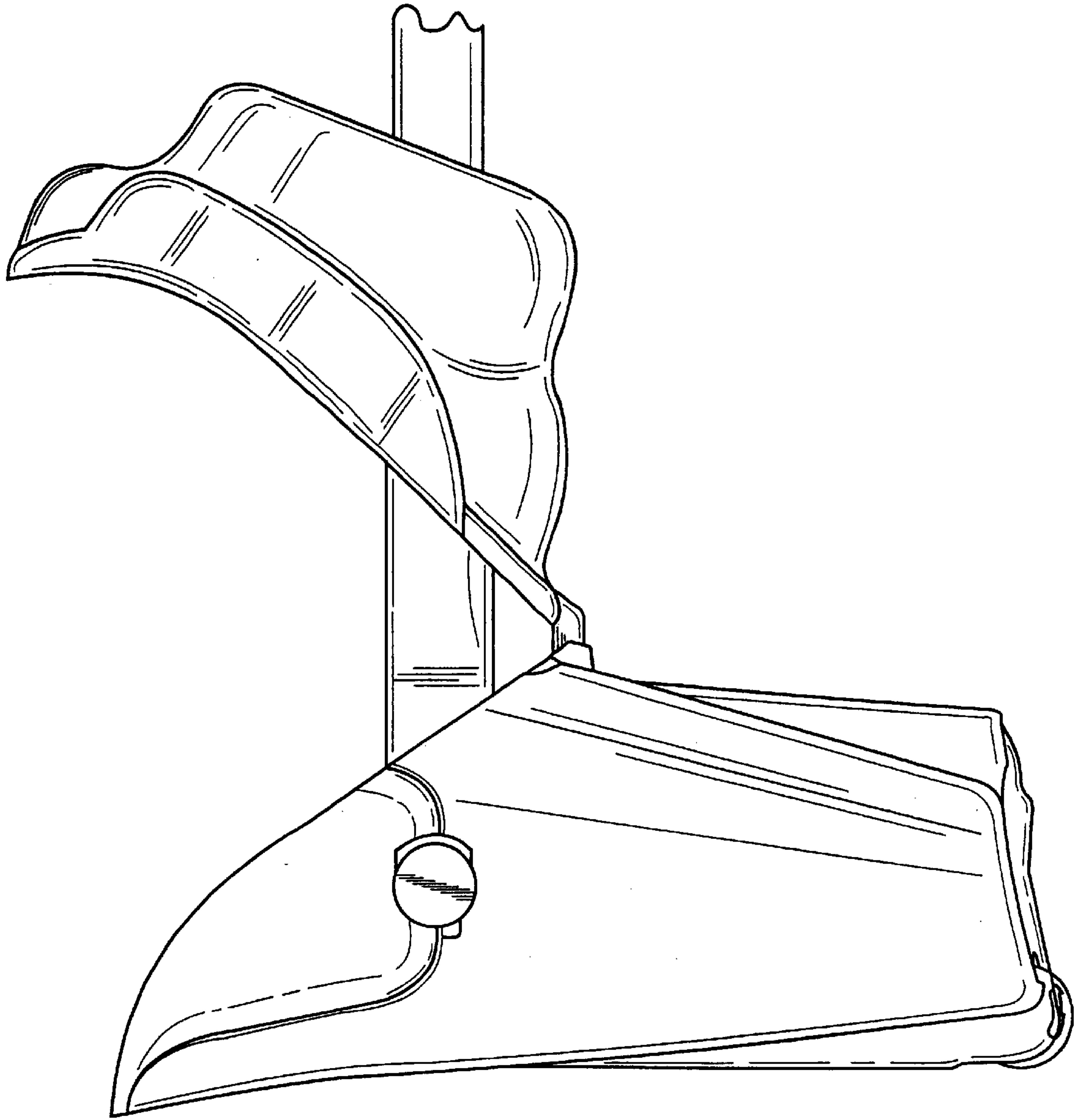


FIG. 5

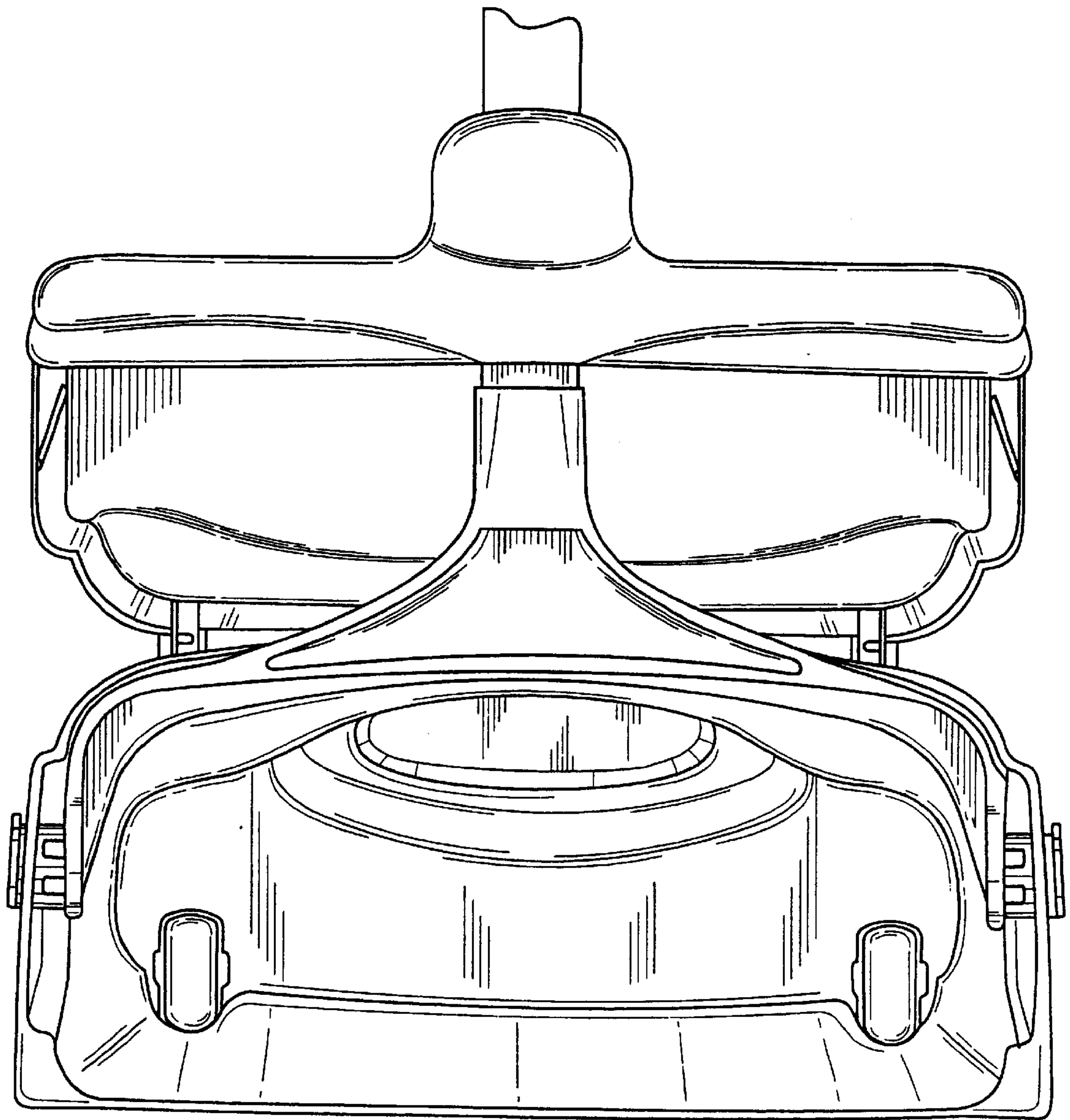


FIG. 6

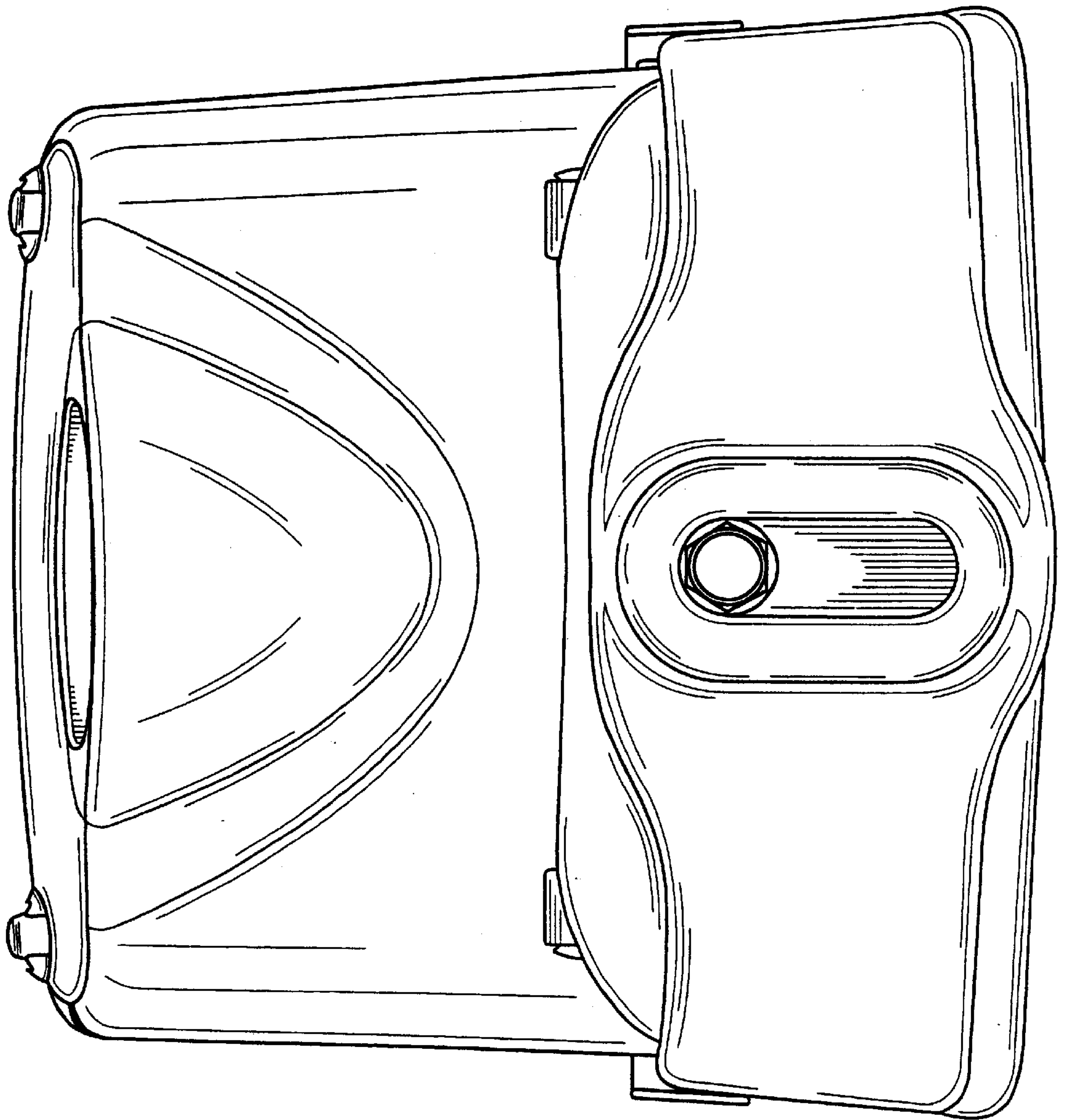


FIG. 7

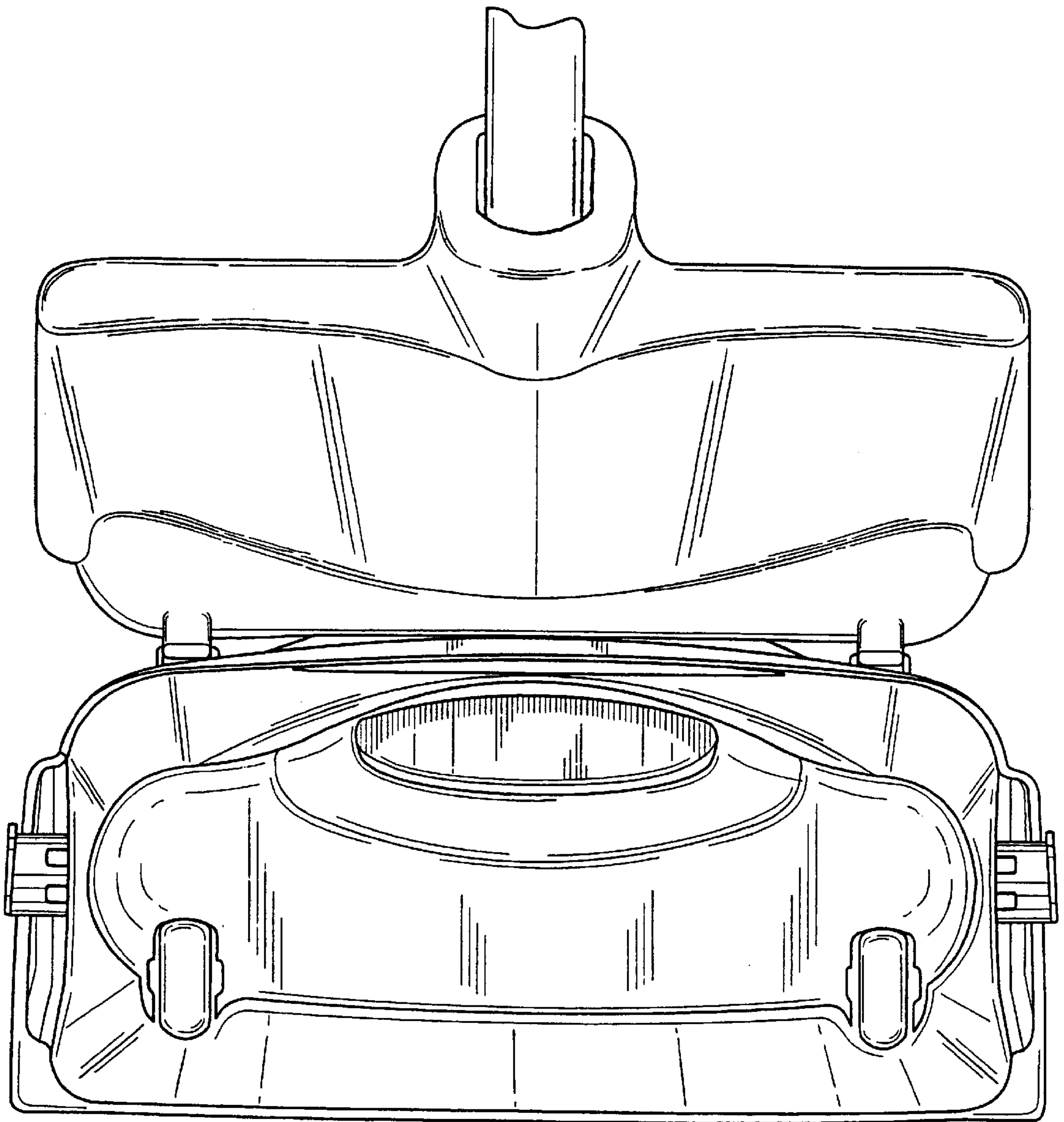


FIG. 8

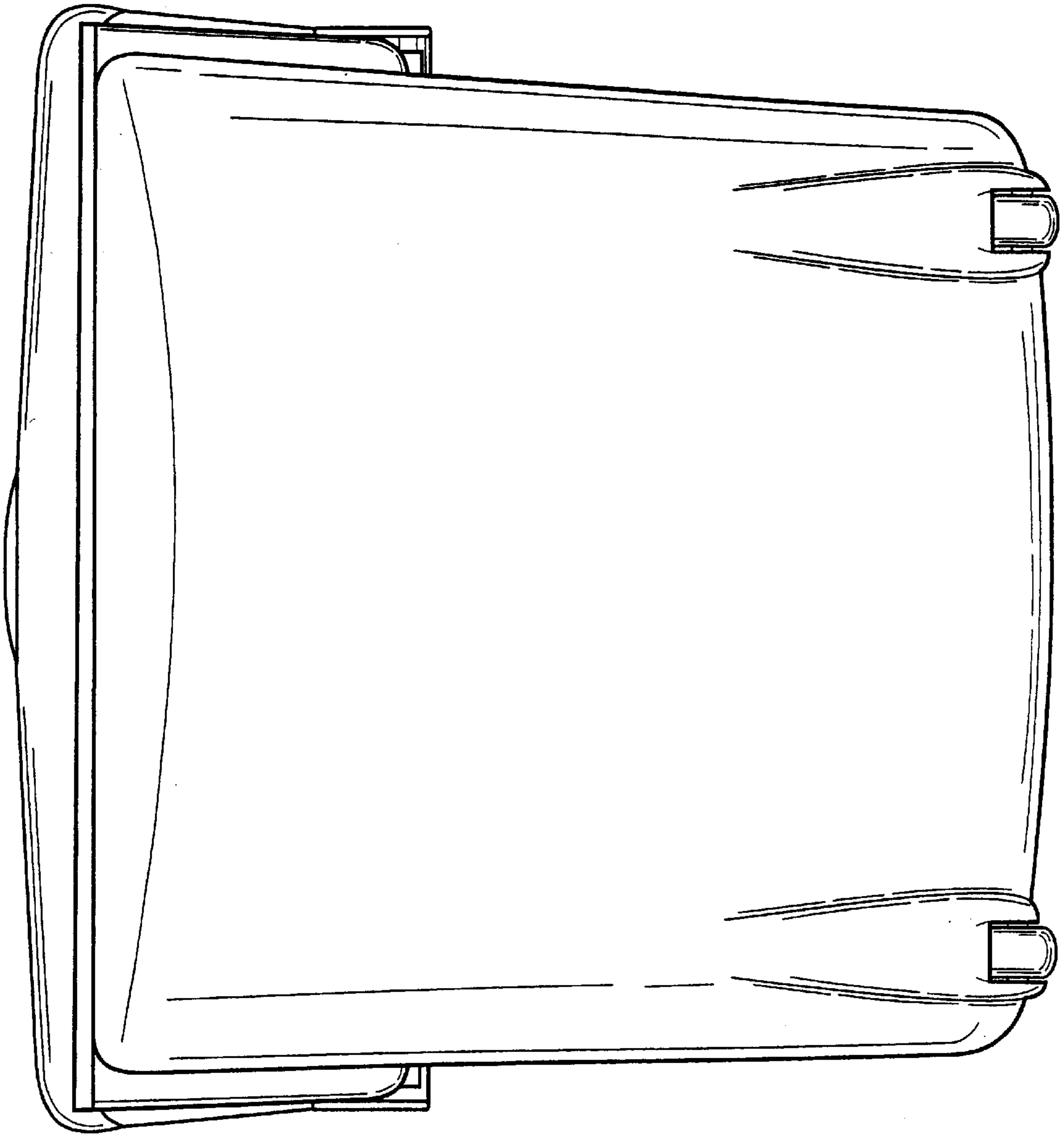


FIG. 9