



US00D461608S

(12) **United States Design Patent**
Davenport et al.

(10) **Patent No.:** **US D461,608 S**

(45) **Date of Patent:** **** Aug. 13, 2002**

(54) **PAINT BUCKET**

(76) Inventors: **Michael Davenport**, 4001 E. Summer Run, Flagstaff, AZ (US) 86004;
Jonathan M. Keller, 4870 E. Half Moon Dr., Flagstaff, AZ (US) 86004-2820

(**) Term: **14 Years**

(21) Appl. No.: **29/137,862**

(22) Filed: **Feb. 28, 2001**

(51) **LOC (7) Cl.** **07-07**

(52) **U.S. Cl.** **D32/53.1**

(58) **Field of Search** D32/53, 53.1,
D32/54; 220/695, 697, 570, 701, 736; 222/572;
15/257.05, 257.06

(56) **References Cited**

U.S. PATENT DOCUMENTS

4,436,217 A * 3/1984 Ritter 220/736

5,261,577 A * 11/1993 Goldstein et al. 220/697

5,297,695 A * 3/1994 Provence 220/697

D419,737 S * 1/2000 Searcy D32/54

* cited by examiner

Primary Examiner—Jennifer Rivard

(74) *Attorney, Agent, or Firm*—Schmeiser, Olsen & Watts

(57) **CLAIM**

The ornamental design for the paint bucket, as shown and described.

DESCRIPTION

FIG. 1 is a front elevational view of a paint bucket.

FIG. 2 is a back elevational view of the paint bucket.

FIG. 3 is a left side elevational view of the paint bucket.

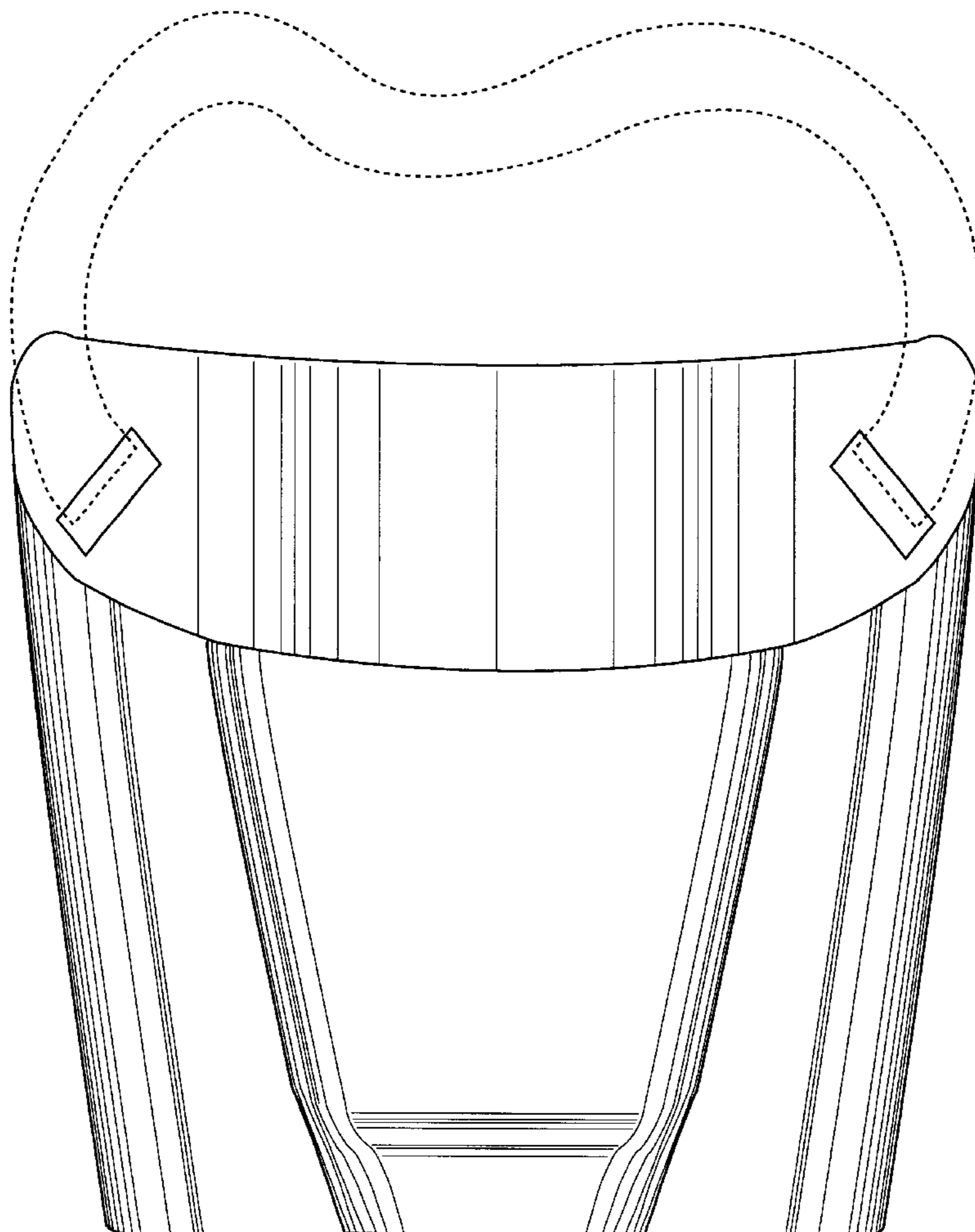
FIG. 4 is a right side elevational view of the paint bucket.

FIG. 5 is a top view of the paint bucket; and,

FIG. 6 is a bottom view of the paint bucket.

The broken line environmental showing is for illustrative purposes only and forms no part of the claimed design.

1 Claim, 6 Drawing Sheets



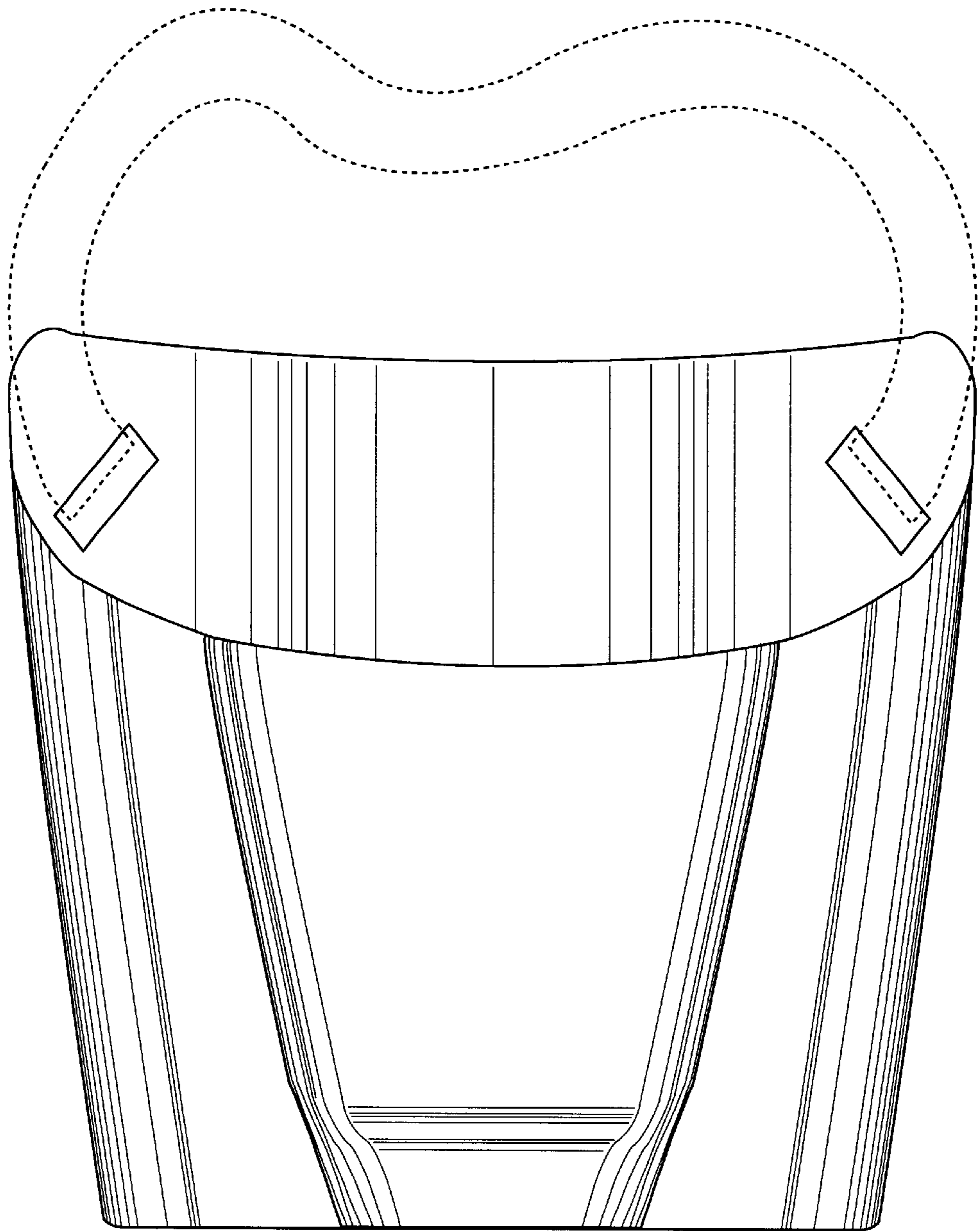


FIG. 1

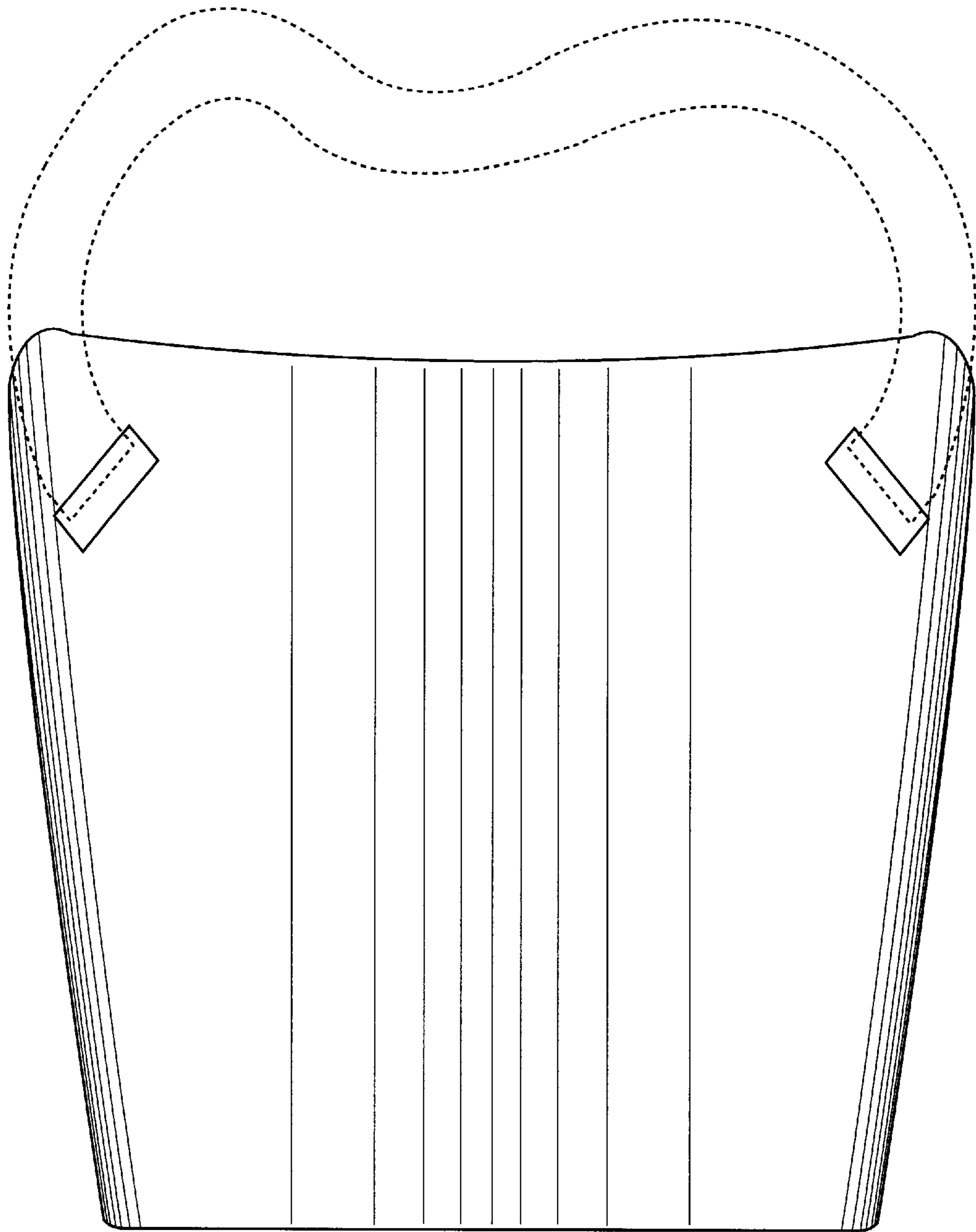


FIG. 2

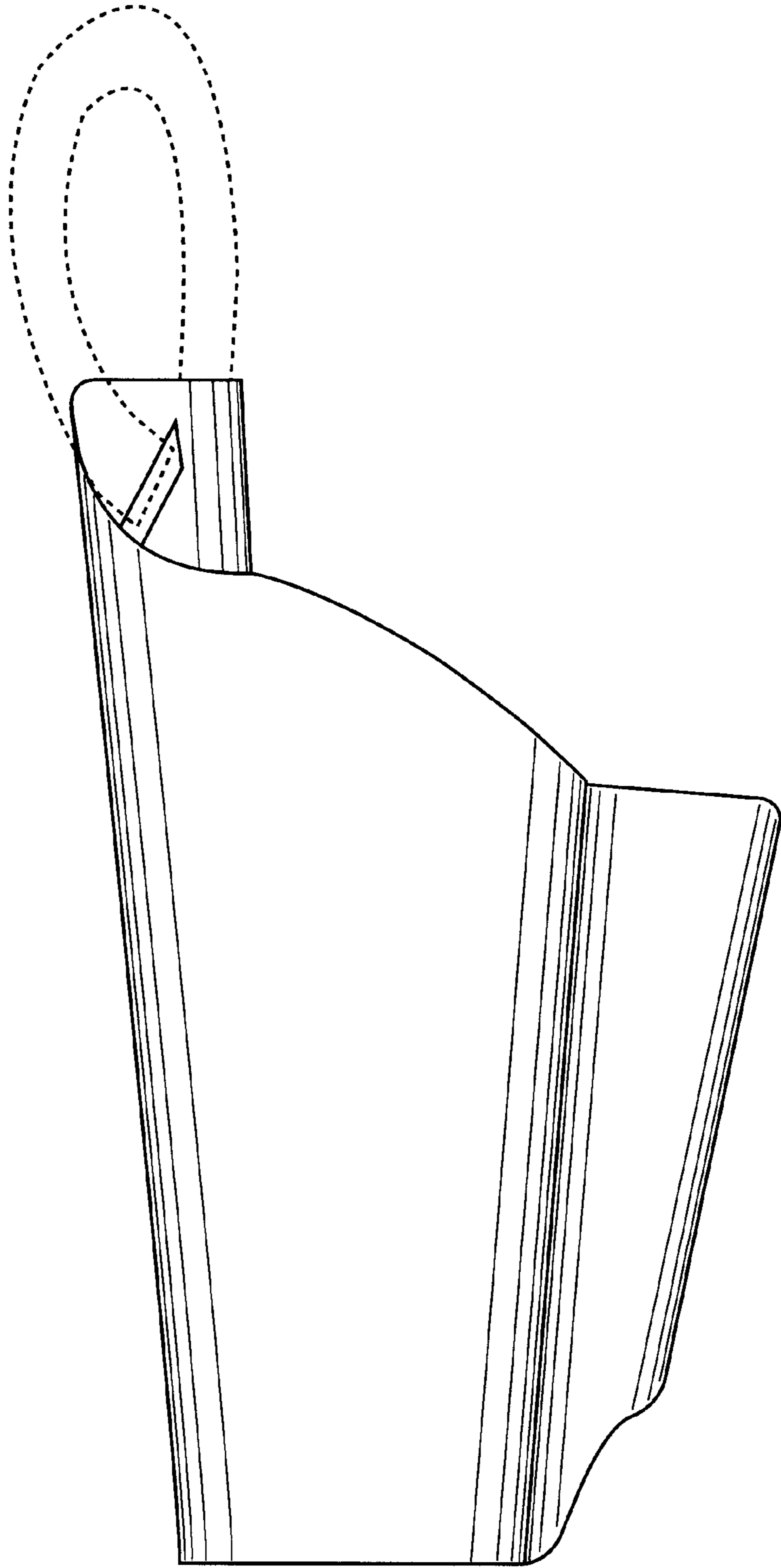


FIG. 3

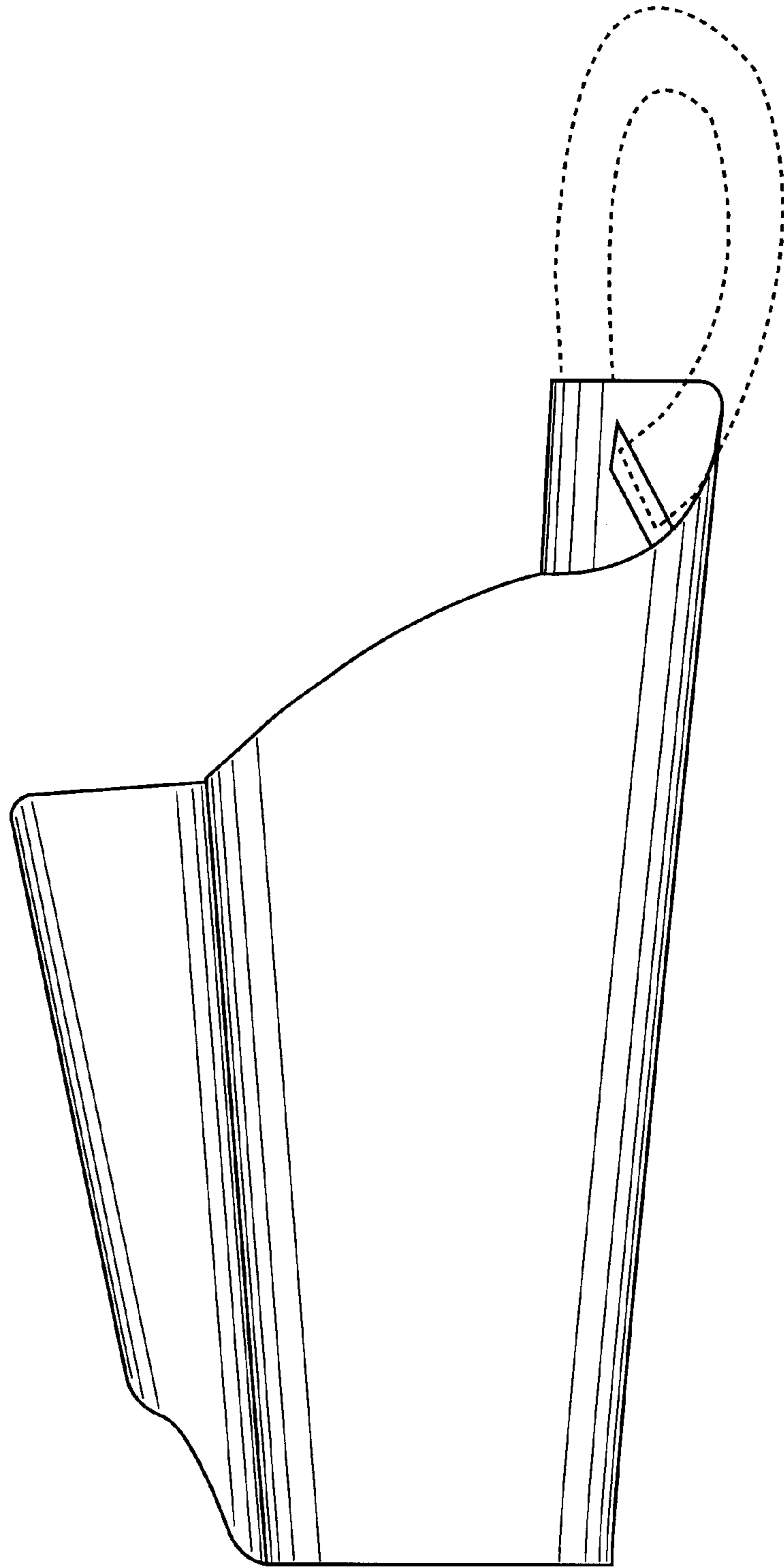


FIG. 4

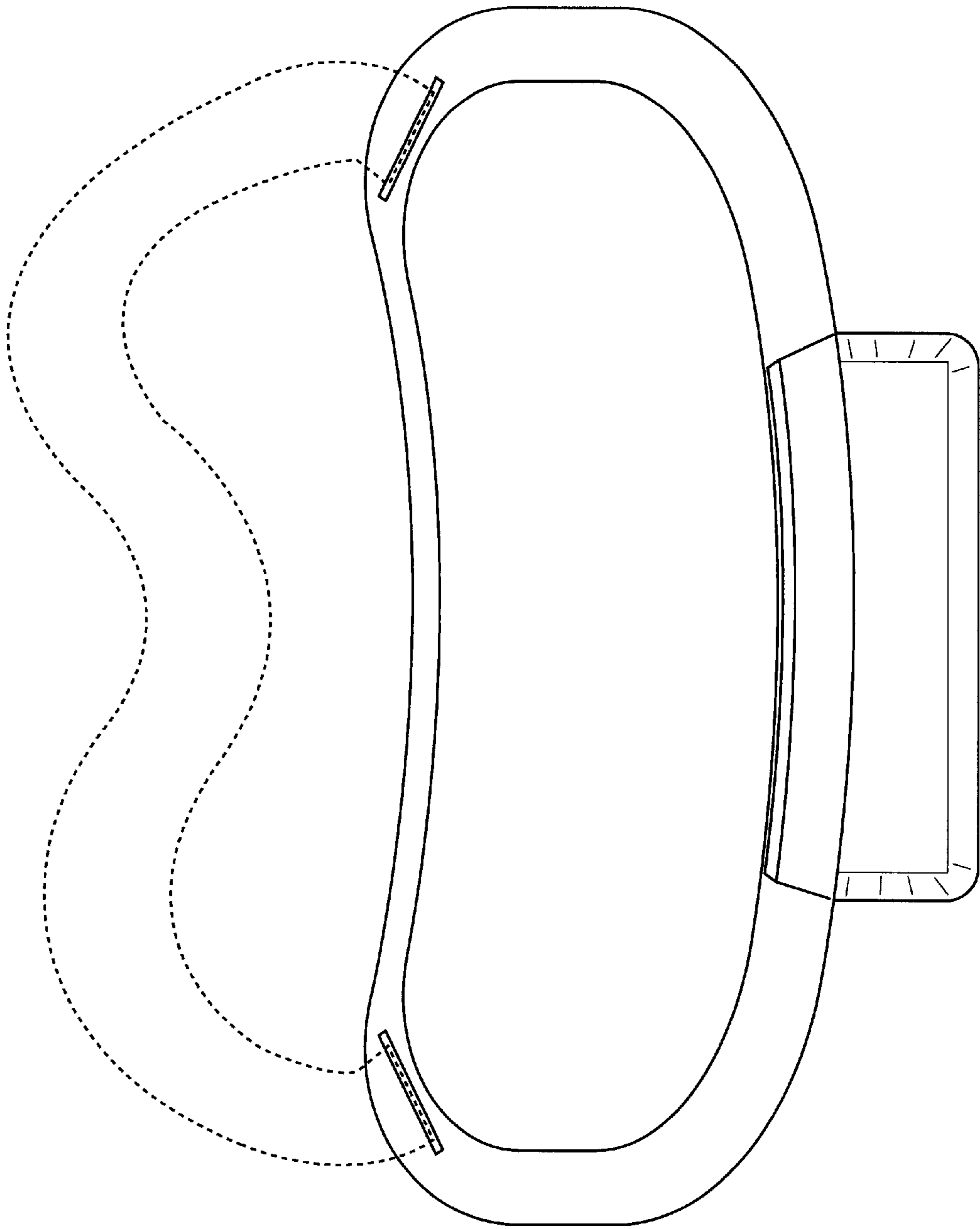


FIG. 5

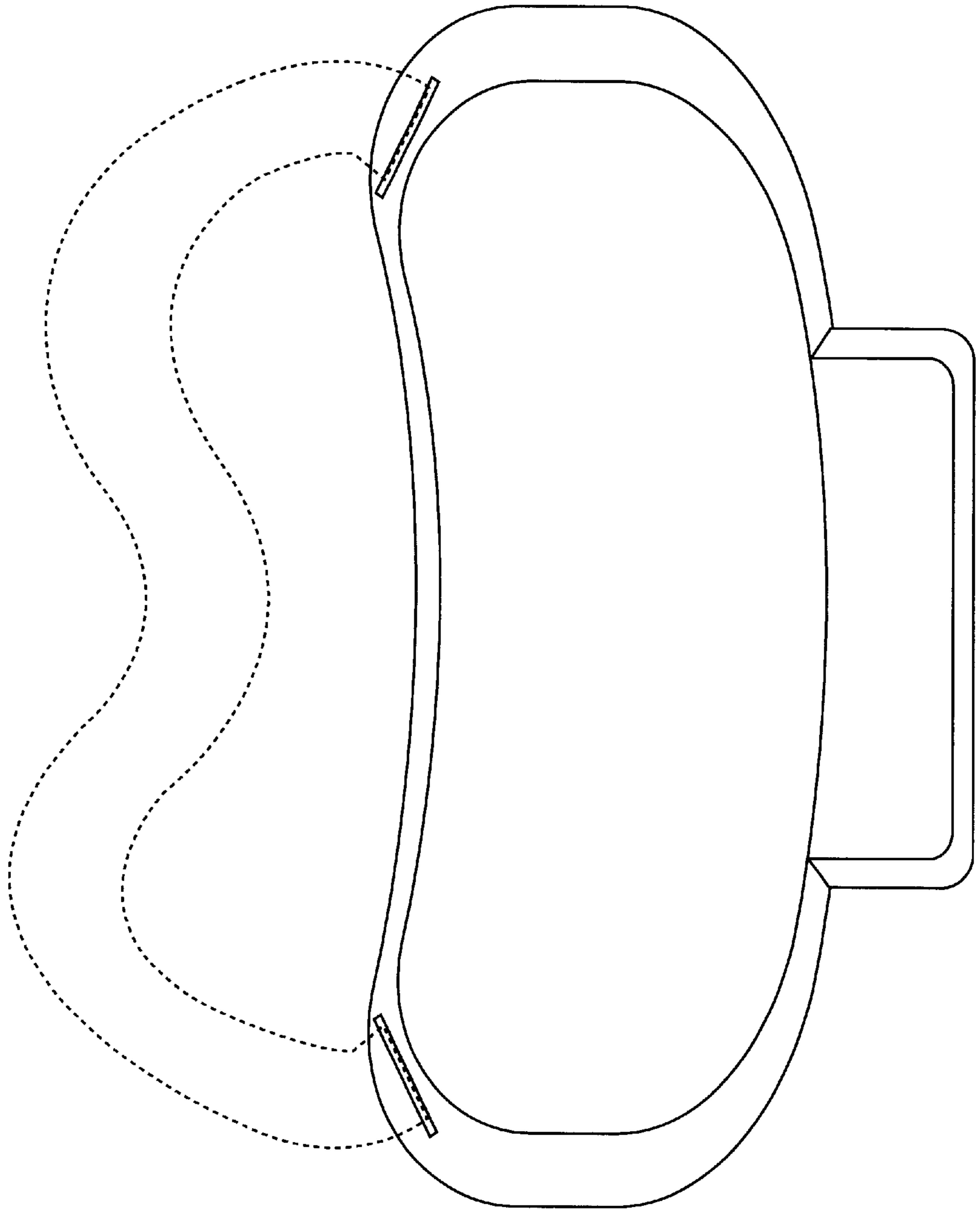


FIG. 6