



US00D461607S

(12) **United States Design Patent**
Zhang

(10) **Patent No.:** **US D461,607 S**

(45) **Date of Patent:** **** Aug. 13, 2002**

(54) **CLEANER WITH A TELESCOPING WATER WHEEL**

6,250,833 B1 * 6/2001 Perry et al. 401/207
D446,898 S * 8/2001 Brewer et al. D32/45

(76) Inventor: **Zhixiong Zhang**, Hezhoudongya Building, Xixiang Town, Baoan District, Shenzhen City, Guangdong Province (CN), 518126

* cited by examiner

Primary Examiner—Jennifer Rivard
(74) *Attorney, Agent, or Firm*—Jacobson Holman, PLLC

(**) Term: **14 Years**

(57) **CLAIM**

(21) Appl. No.: **29/134,580**

I claim the ornamental design for the cleaner with a telescoping water wheel, as shown and described.

(22) Filed: **Dec. 27, 2000**

DESCRIPTION

(30) **Foreign Application Priority Data**

Sep. 29, 2000 (CN) 00 3 29458

(51) **LOC (7) Cl.** **04-01**

(52) **U.S. Cl.** **D32/45; D32/51**

(58) **Field of Search** **D32/35, 45, 51; 15/228; 401/207, 272, 138, 139, 196**

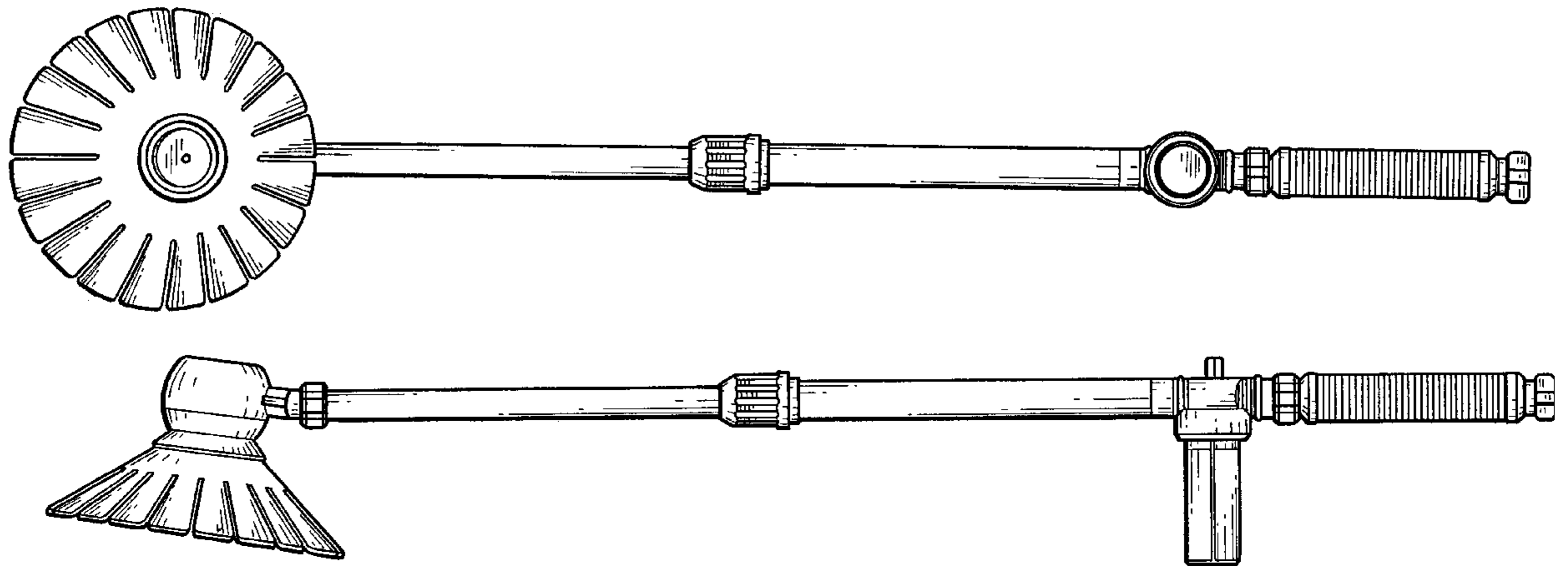
FIG. 1 is a the front perspective view of the cleaner with a telescoping water wheel embodying my design;
FIG. 2 is a back view of the cleaner with a telescoping water wheel as shown in FIG. 1;
FIG. 3 is a right side elevational view of the cleaner with a telescoping water wheel as shown in FIG. 1;
FIG. 4 is a left side elevational view of the cleaner with a telescoping water wheel as shown in FIG. 1; and,
FIG. 5 is a top plan view of the cleaner with a telescoping water wheel as shown in FIG. 1; and,
FIG. 6 is a bottom view of the cleaner with a telescoping water wheel as shown in FIG. 1.

(56) **References Cited**

U.S. PATENT DOCUMENTS

6,116,798 A * 9/2000 Chen et al. 401/139
D443,742 S * 6/2001 Williams-Wynn D32/45

1 Claim, 3 Drawing Sheets



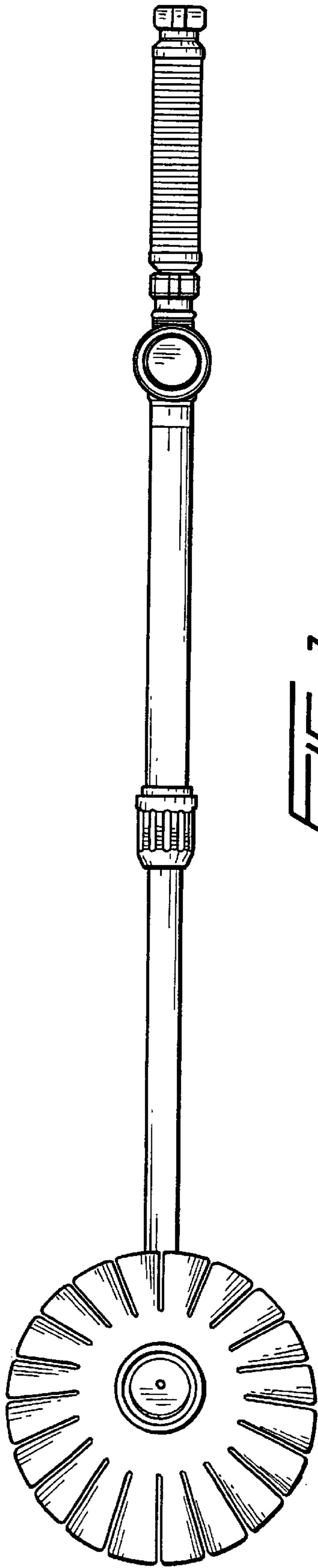


FIG. 1

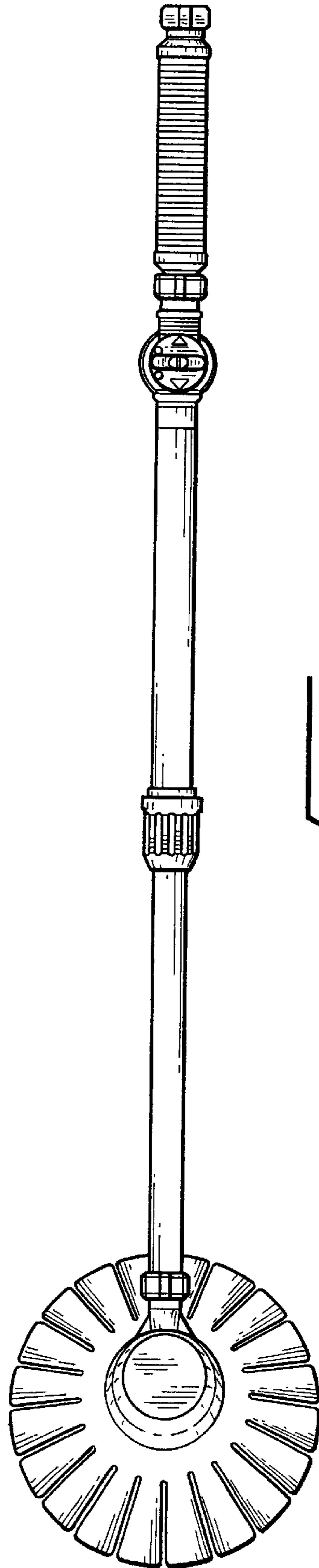


FIG. 2

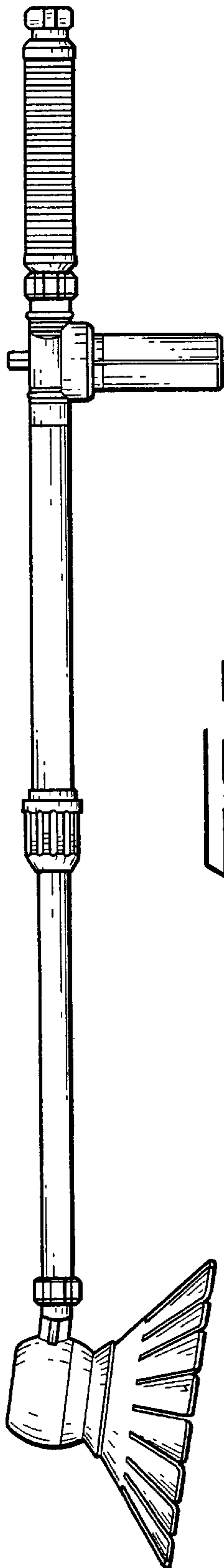


FIG. 3

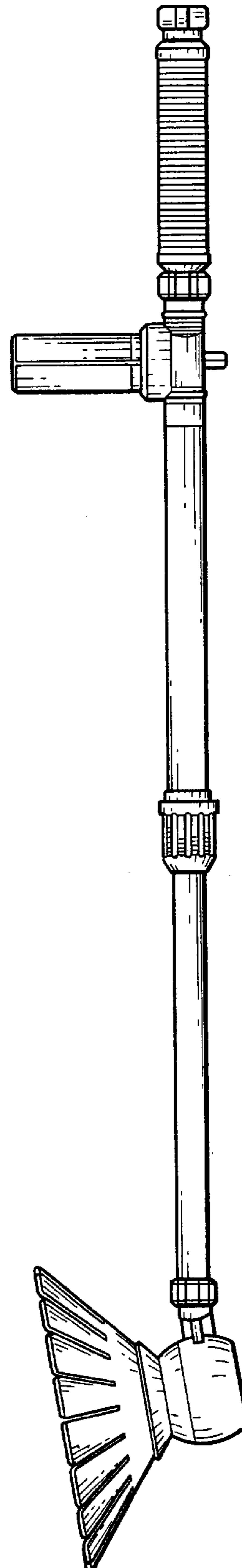


FIG. 4

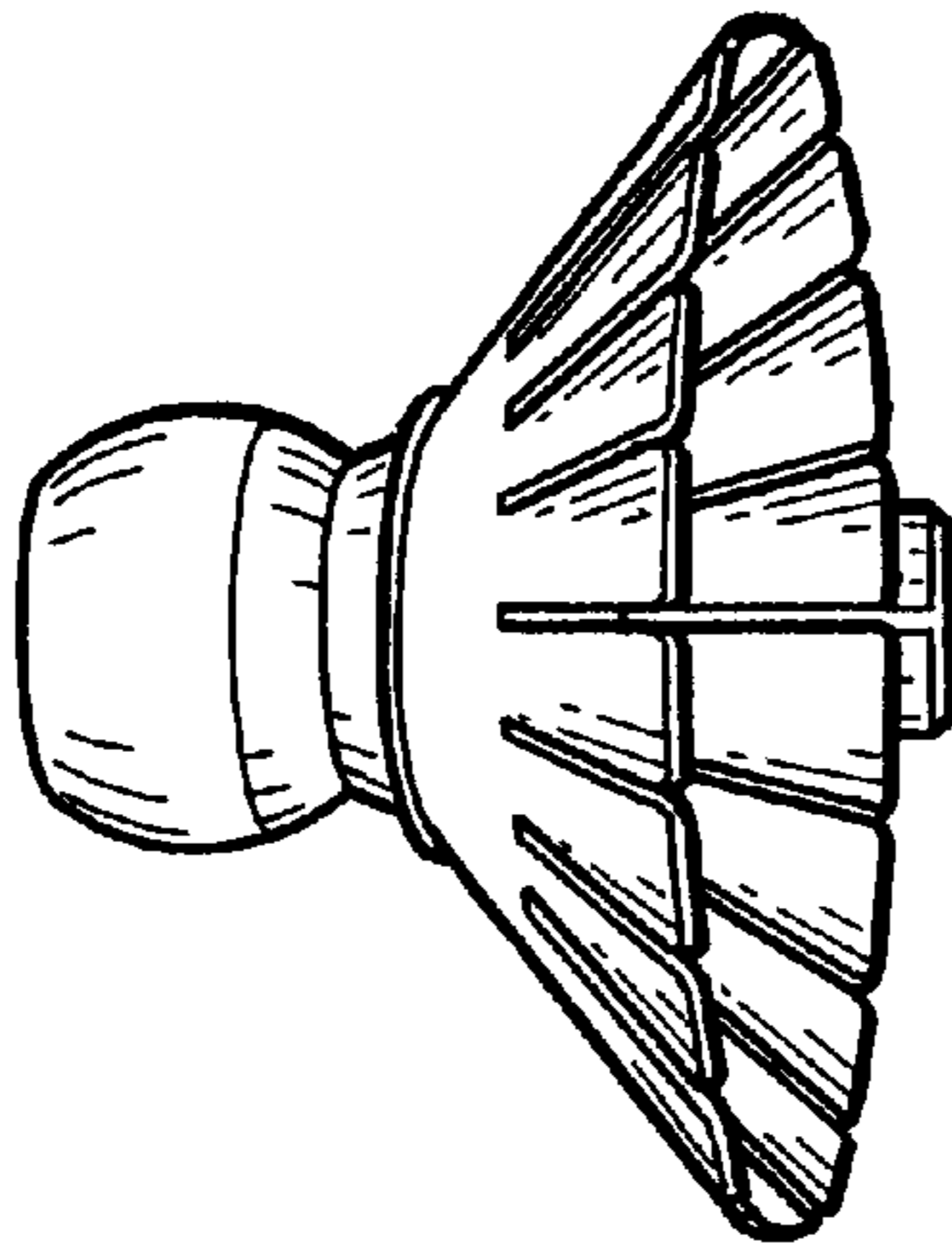


FIG. 8

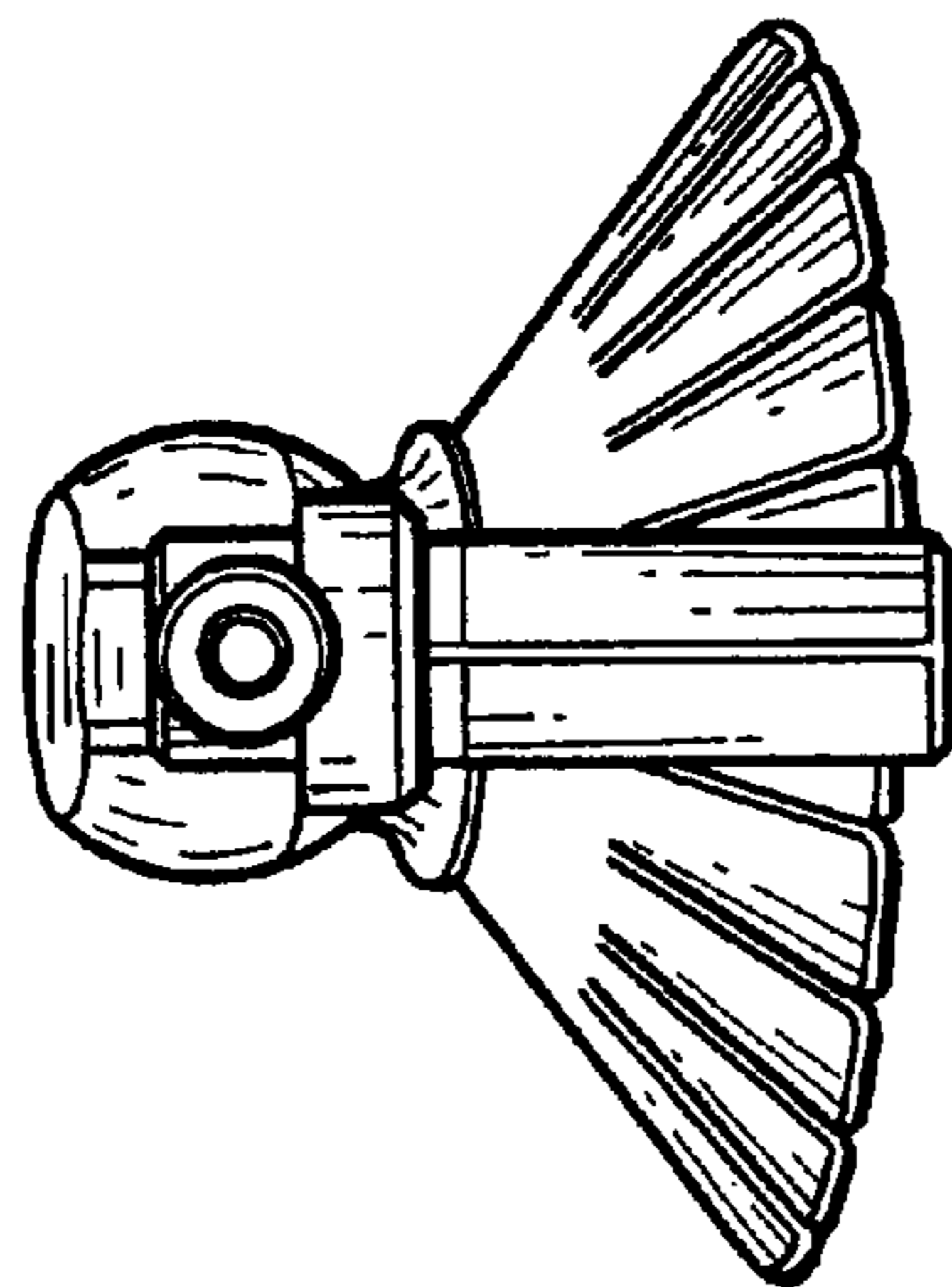


FIG. 9