



US00D461605S

(12) **United States Design Patent**
Griffin

(10) **Patent No.:** **US D461,605 S**

(45) **Date of Patent:** **** Aug. 13, 2002**

(54) **BLOWER**

(75) **Inventor:** **John Griffin, Phoenix, AZ (US)**

(73) **Assignee:** **Shop Vac Corporation, Williamsport, PA (US)**

(**) **Term:** **14 Years**

(21) **Appl. No.:** **29/141,599**

(22) **Filed:** **May 9, 2001**

(51) **LOC (7) Cl.** **15-05**

(52) **U.S. Cl.** **D32/15**

(58) **Field of Search** D32/1, 15, 16,
D32/17, 25; 15/328, 326, 329, 330, 344,
345, 404, 405, 414, 339, 415.1, 413; 417/236,
423.1, 423.3

(56) **References Cited**

U.S. PATENT DOCUMENTS

2,920,337 A	1/1960	Smith	25/323
4,404,706 A	9/1983	Loyd	15/344
4,797,072 A *	1/1989	Berfield et al.	417/423.2
4,836,753 A *	6/1989	Berfield et al.	417/236
4,880,364 A	11/1989	Berfield et al.	417/423.1
4,947,513 A *	8/1990	Everts	15/330
5,144,716 A	9/1992	Watanabe et al.	15/323

5,404,614 A	4/1995	Stephens	15/327.2
D378,152 S	2/1997	deBlios et al.	D32/21
5,606,769 A	3/1997	Tomasiak et al.	15/327.6
5,768,749 A *	6/1998	Ohi et al.	15/405
D418,264 S	12/1999	Rees	D32/19
6,055,700 A	5/2000	Holsten et al.	15/327.2
D444,274 S	6/2001	Griffin	D32/15
6,324,721 B2 *	12/2001	Döragnip	15/326

* cited by examiner

Primary Examiner—Martie K. Holtje

(74) *Attorney, Agent, or Firm*—Marshall, Gerstein, & Borun.

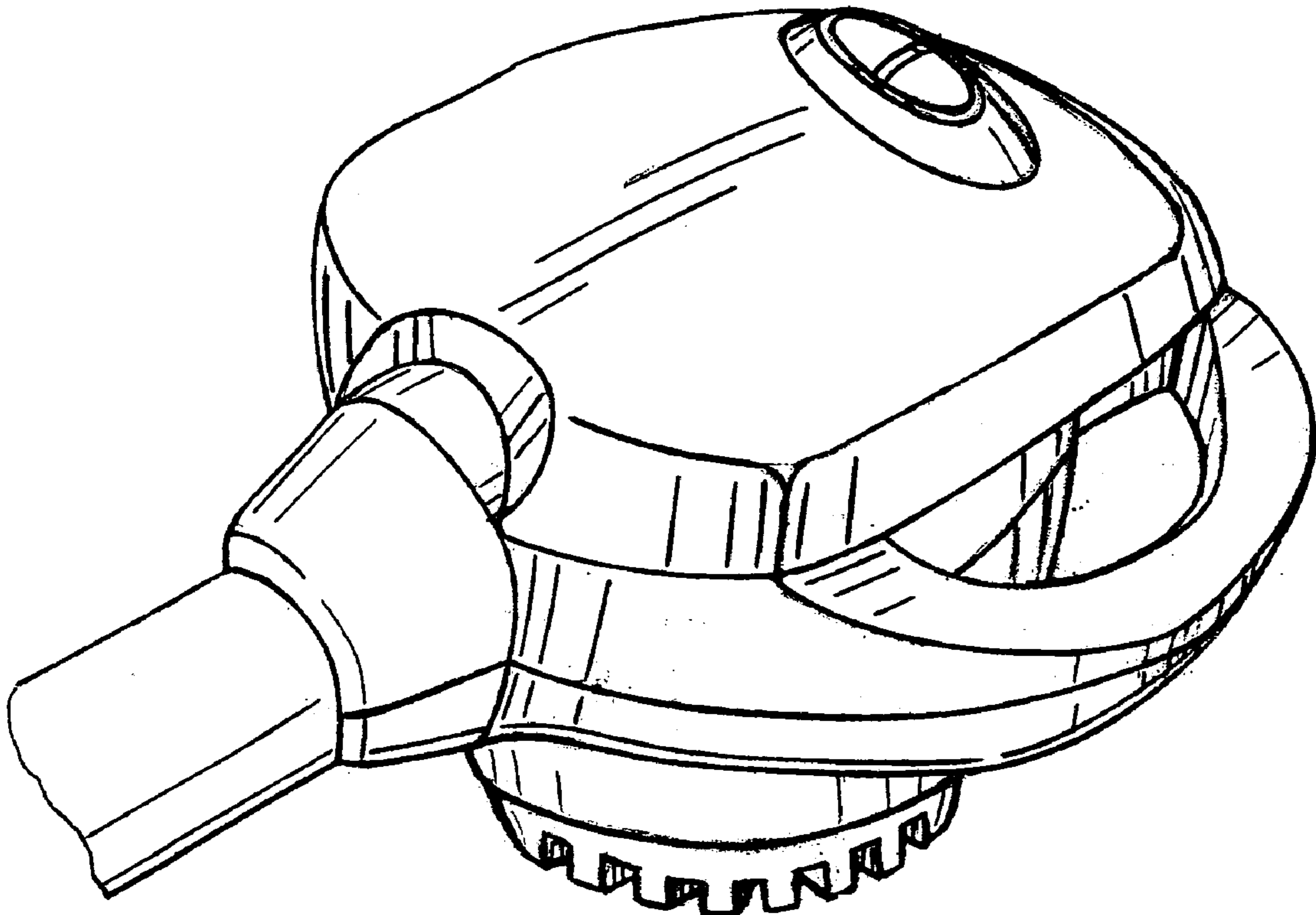
(57) **CLAIM**

The ornamental design for a “blower”, as shown and described.

DESCRIPTION

FIG. 1 is a left side perspective view taken from the front and above showing my new design;
FIG. 2 is a right elevational view, the left elevational view being a mirror image thereof;
FIG. 3 is a rear elevational view thereof;
FIG. 4 is a front elevational view thereof;
FIG. 5 is a plan view thereof; and,
FIG. 6 is a bottom view thereof.

1 Claim, 6 Drawing Sheets



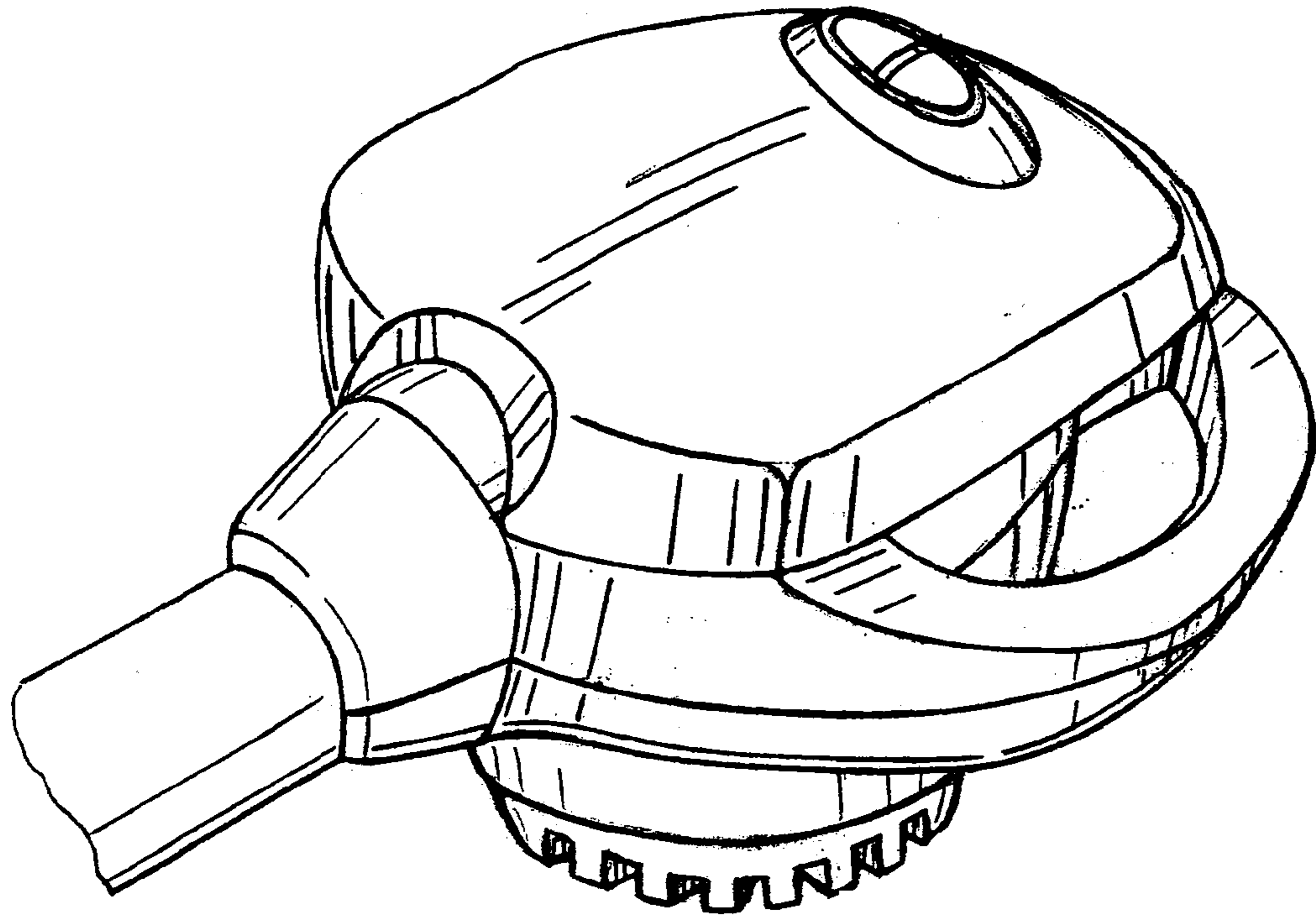


FIG. 1

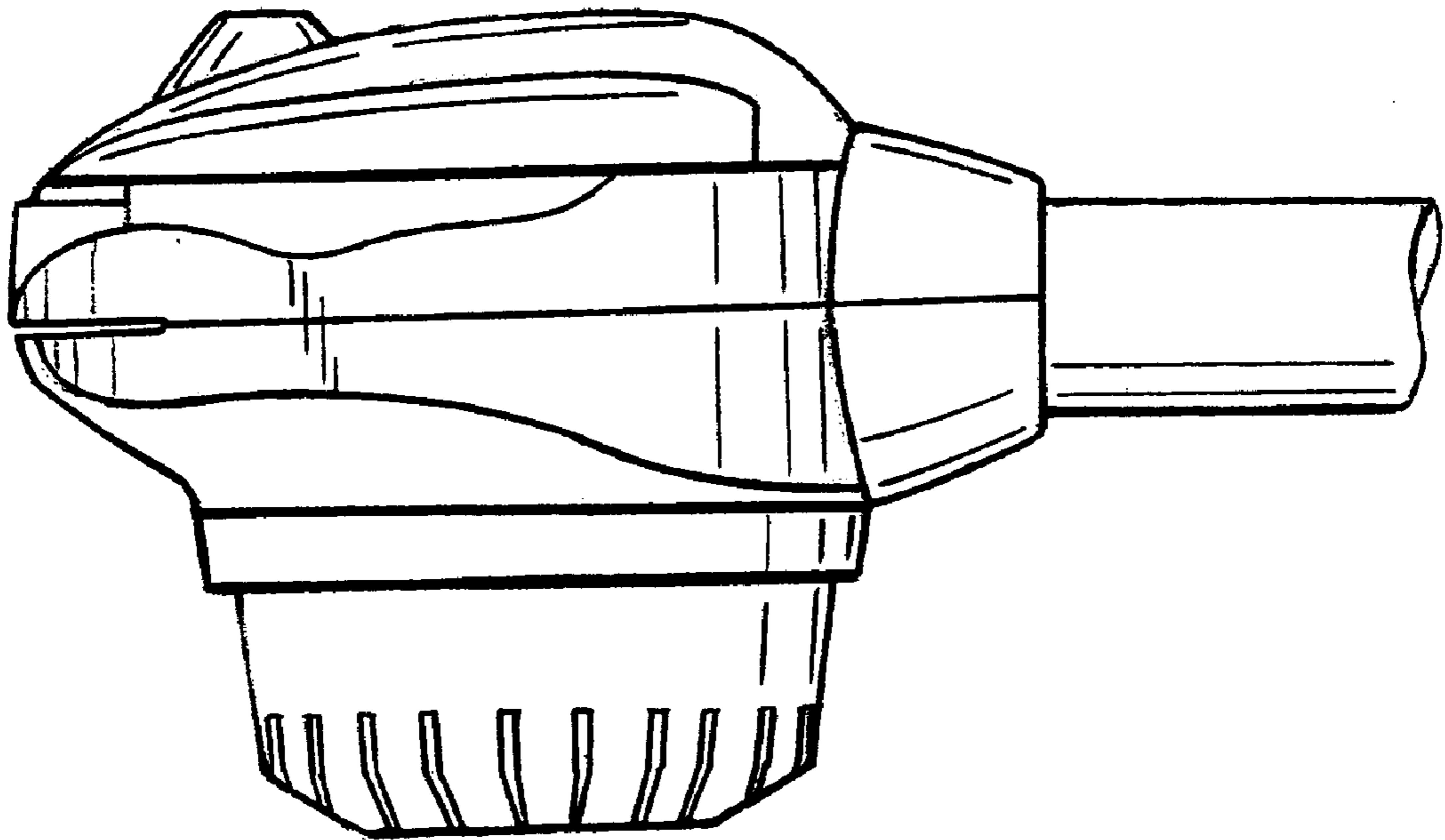


FIG. 2

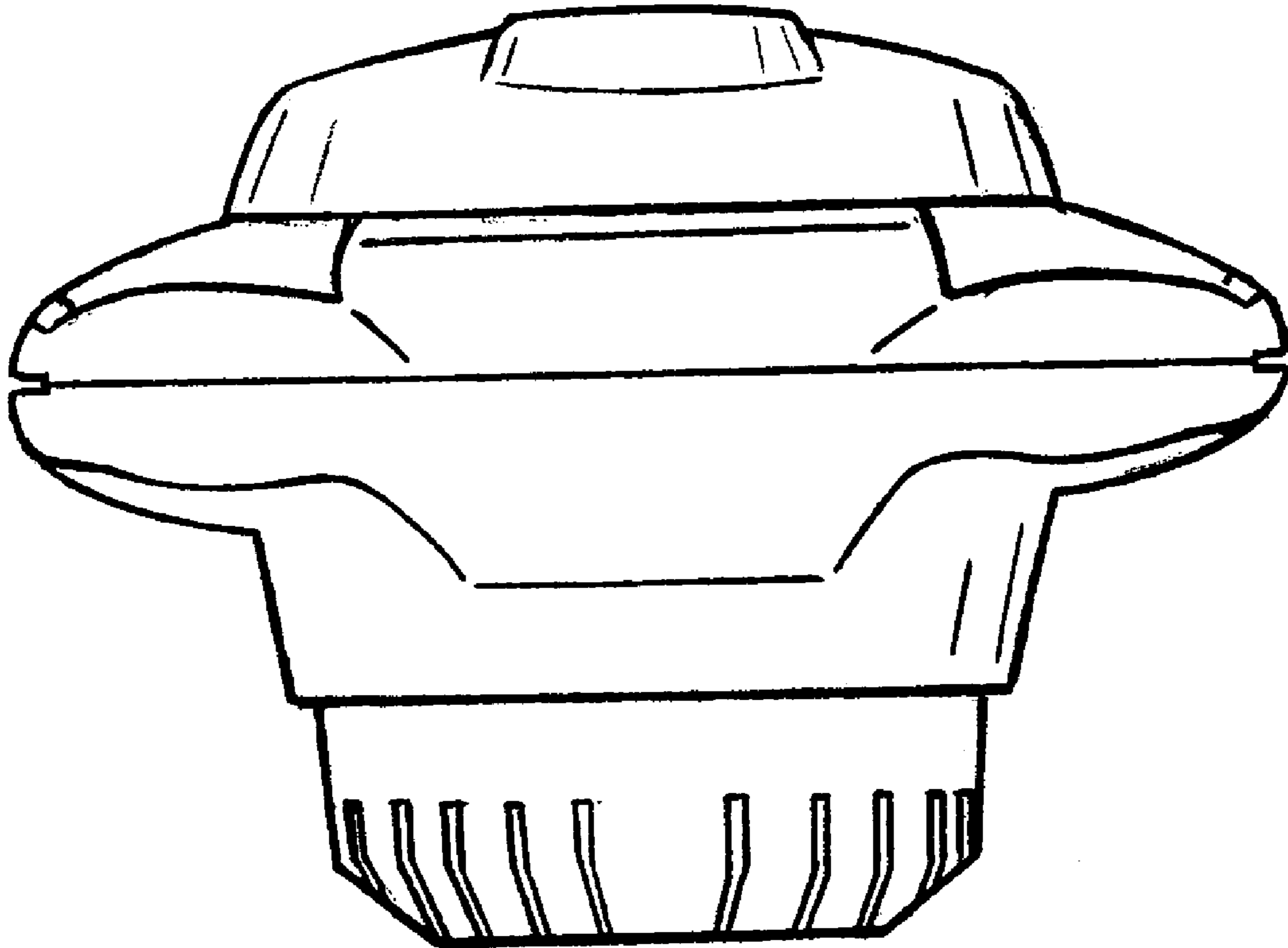


FIG. 3

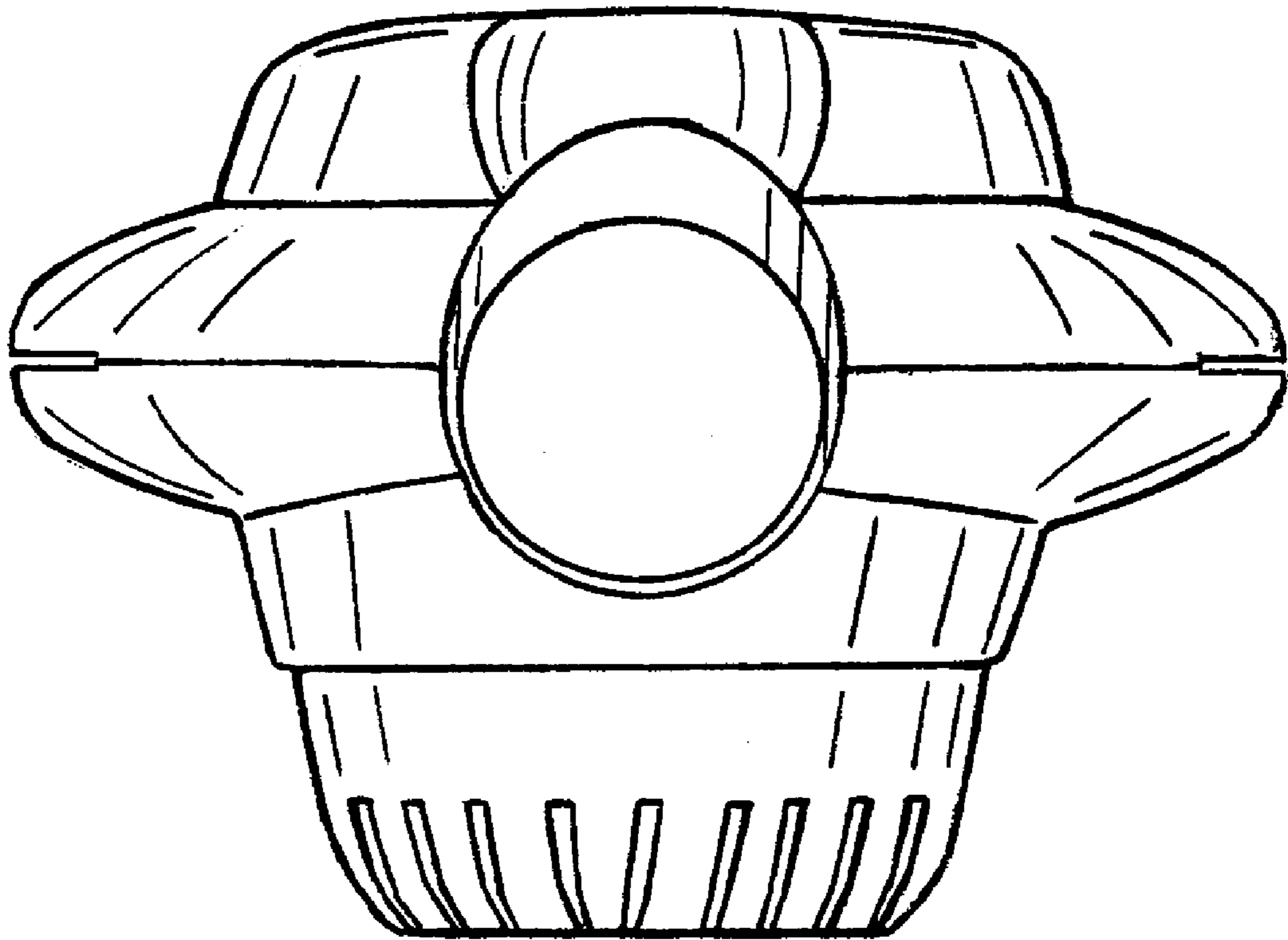


FIG. 4

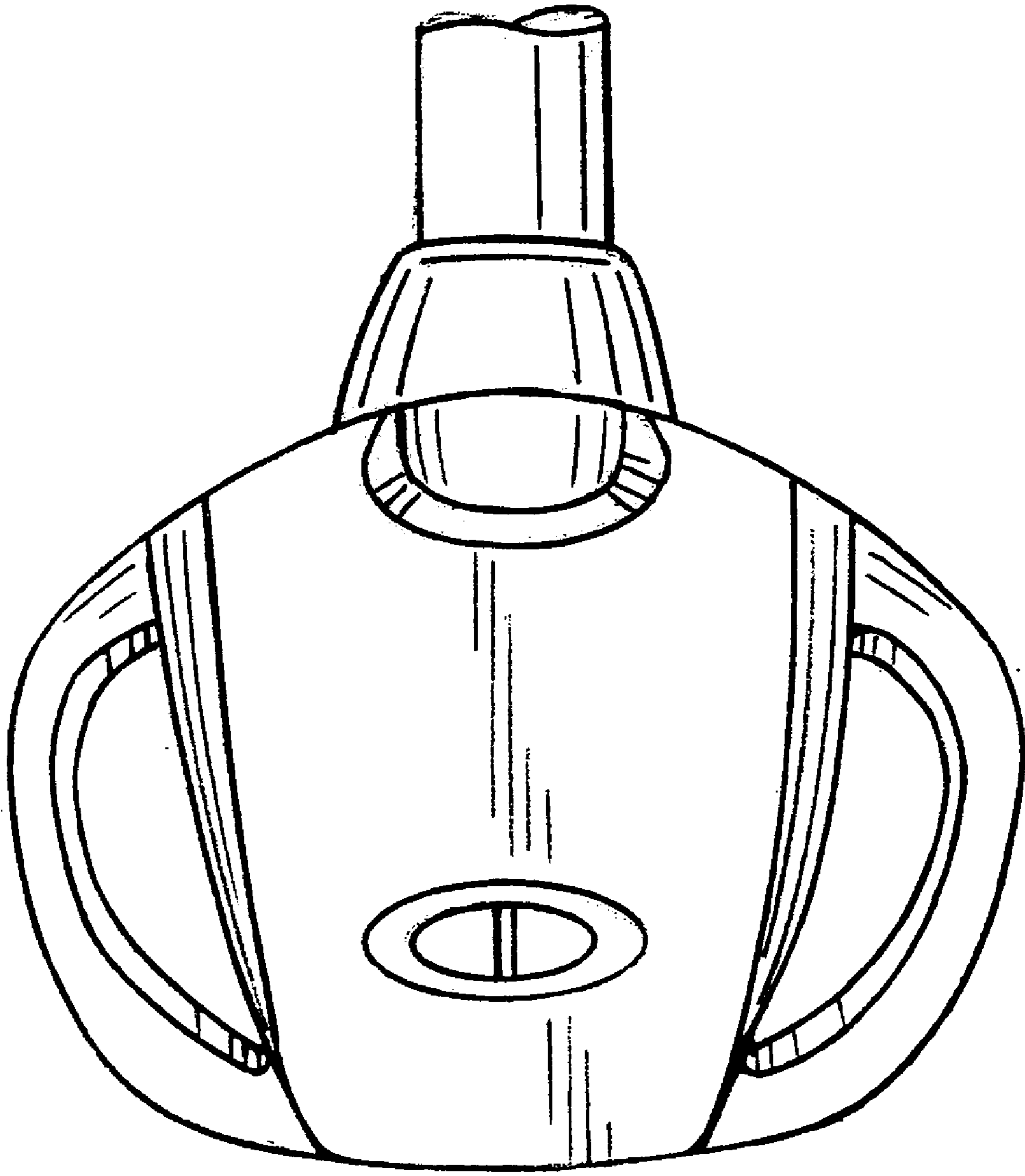


FIG. 5

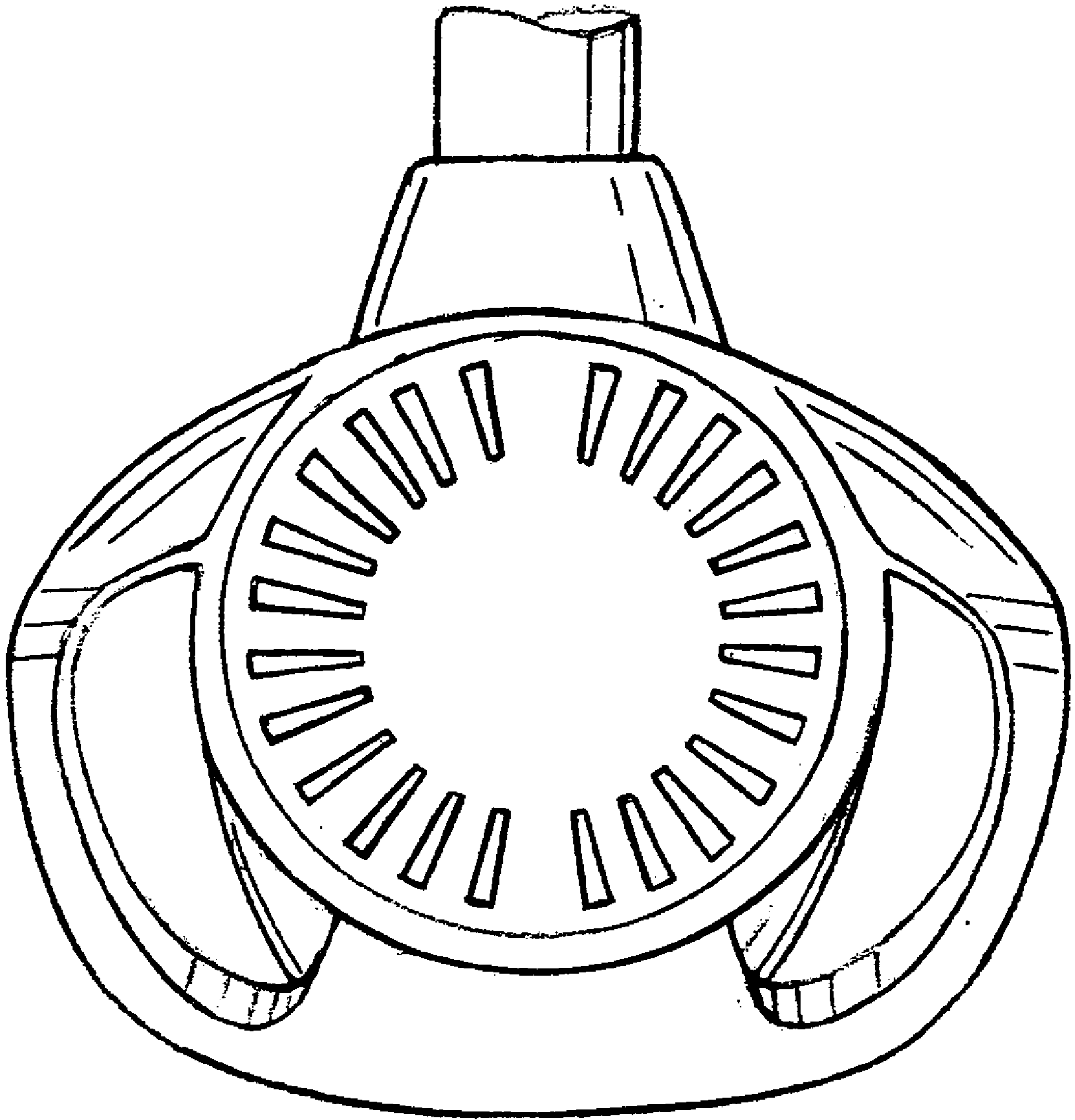


FIG. 6