



US00D461604S

(12) **United States Design Patent**  
**Martin et al.**

(10) **Patent No.:** **US D461,604 S**

(45) **Date of Patent:** **\*\* Aug. 13, 2002**

(54) **HOUSING FOR A BLOWER/VACUUM**

(75) Inventors: **David J. Martin**, Eden Prairie; **Steven J. Svoboda**, Bloomington; **Chadwick A. Shaffer**, Oakdale, all of MN (US)

(73) Assignee: **The Toro Company**, Bloomington, MN (US)

(\*\*) Term: **14 Years**

D313,831 S	1/1991	Gildersleeve
5,035,586 A *	7/1991	Sadler et al. .... 417/363
5,084,934 A	2/1992	Lessig, III et al.
5,115,538 A	5/1992	Cochran et al.
5,222,275 A	6/1993	Baker et al.
5,245,726 A	9/1993	Rote et al.
5,256,032 A	10/1993	Dorsch
5,331,716 A	7/1994	Hemann et al.
5,388,302 A	2/1995	Sundaram et al.

(List continued on next page.)

(21) Appl. No.: **29/136,944**

(22) Filed: **Feb. 9, 2001**

(51) **LOC (7) Cl.** ..... **15-05**

(52) **U.S. Cl.** ..... **D32/15**

(58) **Field of Search** ..... D32/1, 15, 16,  
D32/17, 25; 15/328, 329, 330, 344, 345,  
404, 405, 414, 339, 415.1, 413, 326; 417/236,  
423.1, 423.3, 363

(56) **References Cited**

**U.S. PATENT DOCUMENTS**

2,024,367 A	12/1935	Eriksson-Jons
4,288,886 A	9/1981	Siegler
4,290,165 A	9/1981	Hiramatsu et al.
4,325,163 A	4/1982	Mattson et al.
4,413,371 A	11/1983	Tuggle et al.
4,451,951 A	6/1984	Satoh
D279,319 S	6/1985	McCloskey et al.
4,550,277 A	10/1985	Carney
4,694,528 A	9/1987	Comer et al.
D299,570 S	1/1989	Kiyooka et al.
D299,571 S *	1/1989	Kiyooka et al. .... D32/15
D304,510 S	11/1989	Baker et al.
4,912,805 A	4/1990	Krasznai et al.
4,928,347 A	5/1990	Krasznai et al.
4,951,348 A	8/1990	Krasznai et al.
D310,437 S	9/1990	Gierke et al.
4,955,107 A	9/1990	Kawai
4,968,174 A	11/1990	Krasznai

**FOREIGN PATENT DOCUMENTS**

GB 324972 2/1930

**OTHER PUBLICATIONS**

Sears, Roebuck and Co., "Operator's Manual CRAFTSMAN® 1.4 cu. in./24cc 2-Cycle Gasoline Powered Blower/Vac/Mulcher Model No. 358.797931," Hoffman Estates, Illinois; Aug. 12, 1996 (14 sheets).

*Primary Examiner*—Martie K. Holtje

(74) *Attorney, Agent, or Firm*—Muetting, Raasch & Gebhardt, P.A.

(57) **CLAIM**

The ornamental design for a housing for a blower/vacuum, as shown.

**DESCRIPTION**

FIG. 1 is a left front perspective view of a housing for a blower/vacuum according to one embodiment of the present invention;

FIG. 2 is a front elevational view thereof;

FIG. 3 is a right side elevational view thereof;

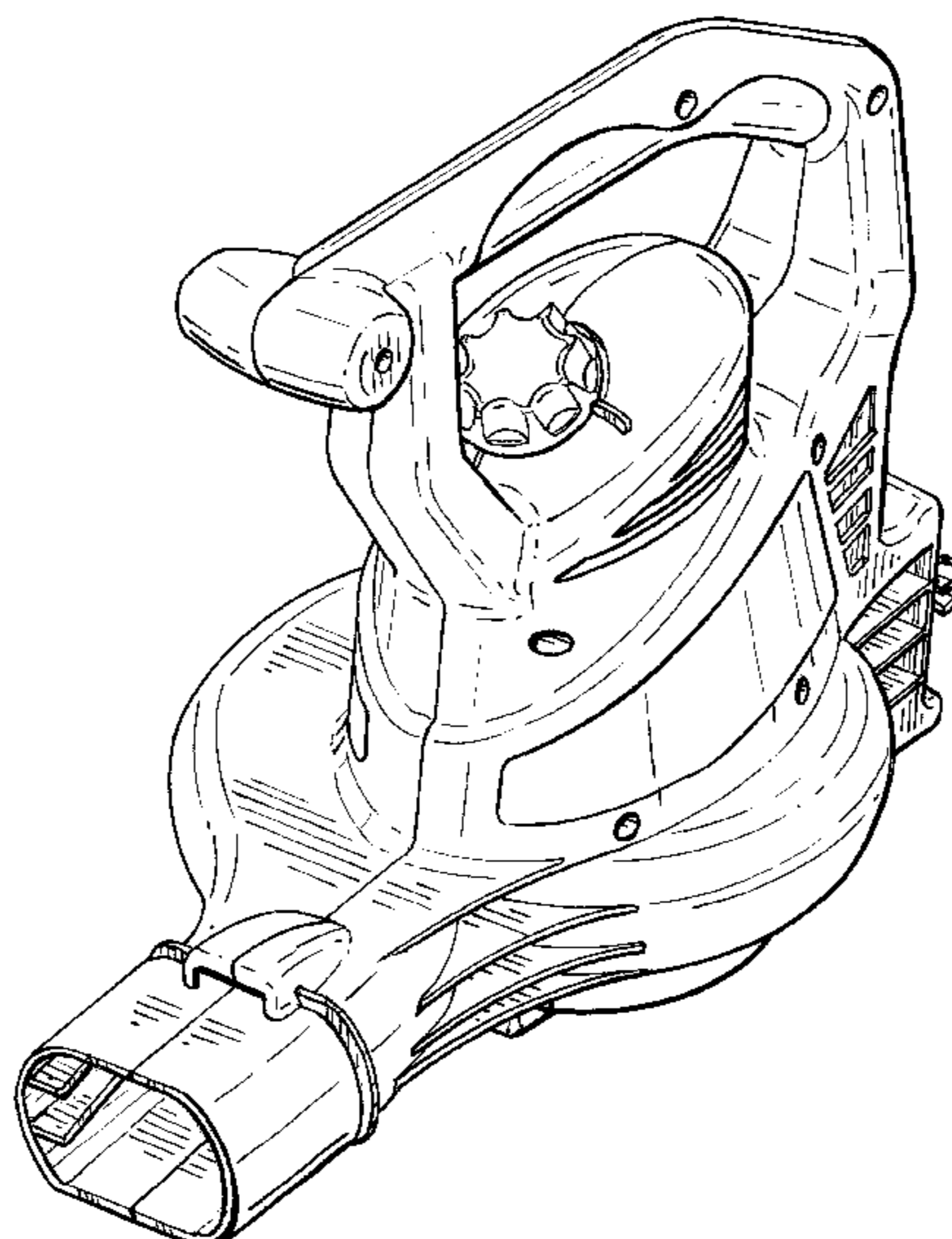
FIG. 4 is a left side elevational view thereof;

FIG. 5 is a rear elevational view thereof;

FIG. 6 is a top plan view thereof; and,

FIG. 7 is a bottom plan view thereof.

**1 Claim, 7 Drawing Sheets**



# US D461,604 S

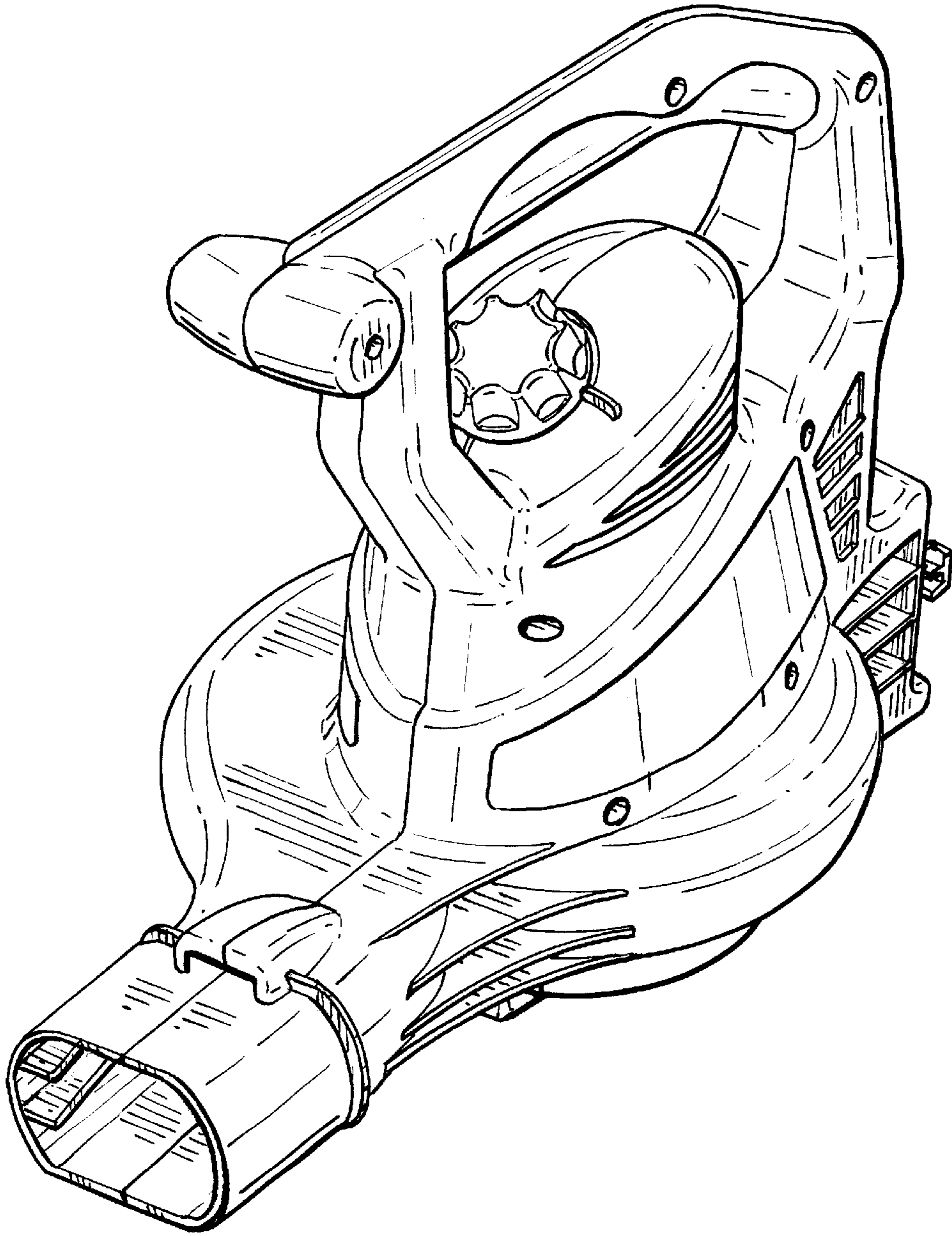
Page 2

---

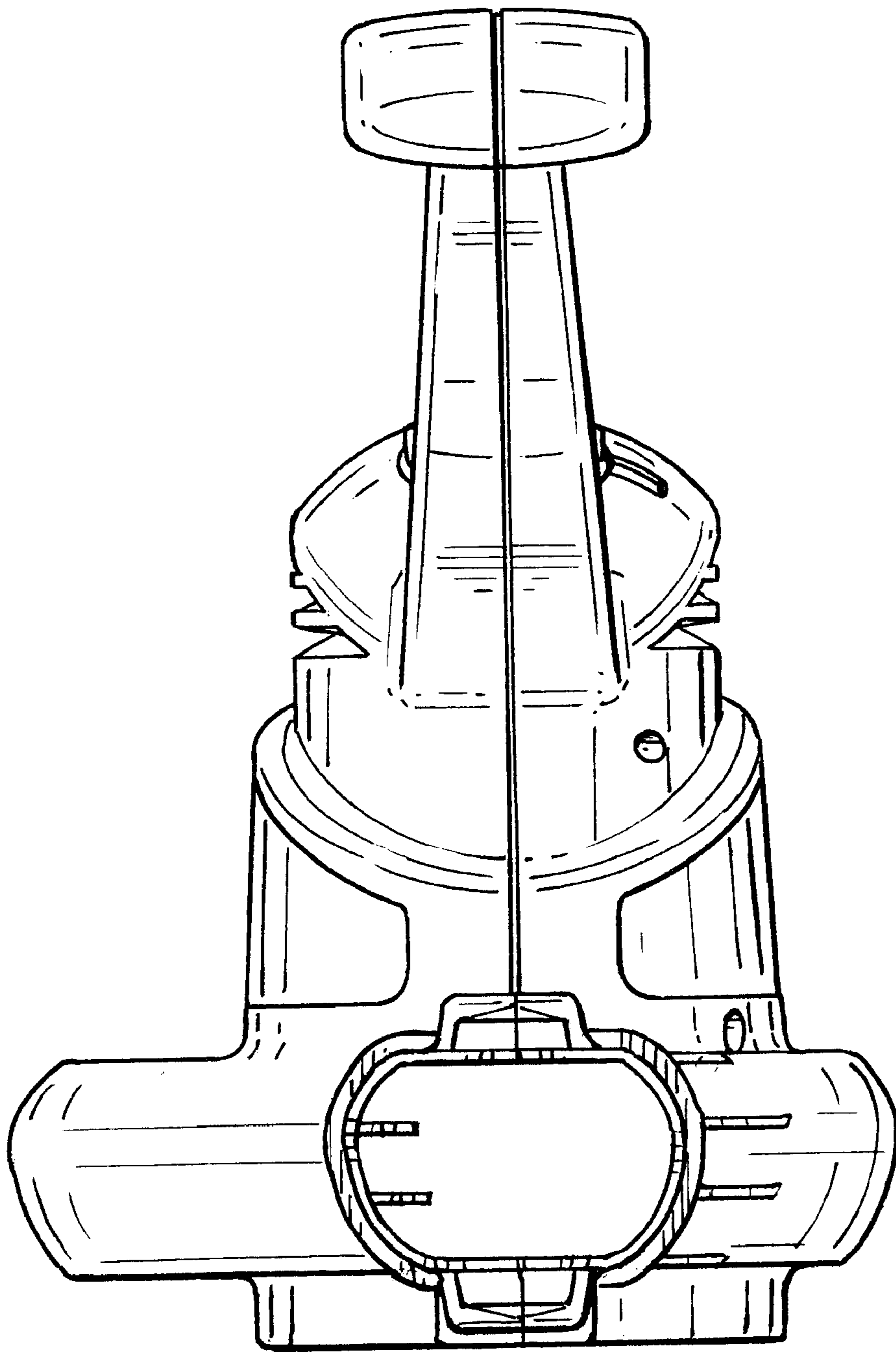
## U.S. PATENT DOCUMENTS

D358,912 S	5/1995	Baker et al.	5,711,048 A	1/1998	Pink et al.
D368,341 S	3/1996	Pink	5,727,283 A	3/1998	Webster
5,511,281 A	4/1996	Webster	5,768,743 A	6/1998	Webster
5,522,115 A	6/1996	Webster	5,791,568 A	8/1998	Keim
5,535,479 A	7/1996	Pink et al.	5,794,864 A	8/1998	Hammett et al.
5,560,078 A	10/1996	Toensing et al.	D400,322 S	10/1998	Webster et al.
D375,822 S	11/1996	Lessig, III et al.	D405,566 S	2/1999	Webster et al.
5,588,178 A	12/1996	Liu	D416,360 S	* 11/1999	Enkyo et al. .... D32/15
5,604,954 A	2/1997	Webster et al.	5,979,013 A	11/1999	Beckey et al.
5,659,920 A	8/1997	Webster et al.	6,003,199 A	12/1999	Shaffer
5,673,457 A	10/1997	Webster et al.	6,014,812 A	1/2000	Webster
D386,841 S	11/1997	DeMore et al.	RE36,627 E	3/2000	Pink et al.
5,689,852 A	11/1997	Svoboda et al.	6,059,541 A	5/2000	Beckey et al.
5,692,262 A	12/1997	Haupt et al.	D426,354 S	* 6/2000	Ohi et al. .... D32/15
5,701,632 A	12/1997	Webster et al.	6,158,082 A	12/2000	Beckey et al.

\* cited by examiner



*FIG. 1*



*FIG. 2*

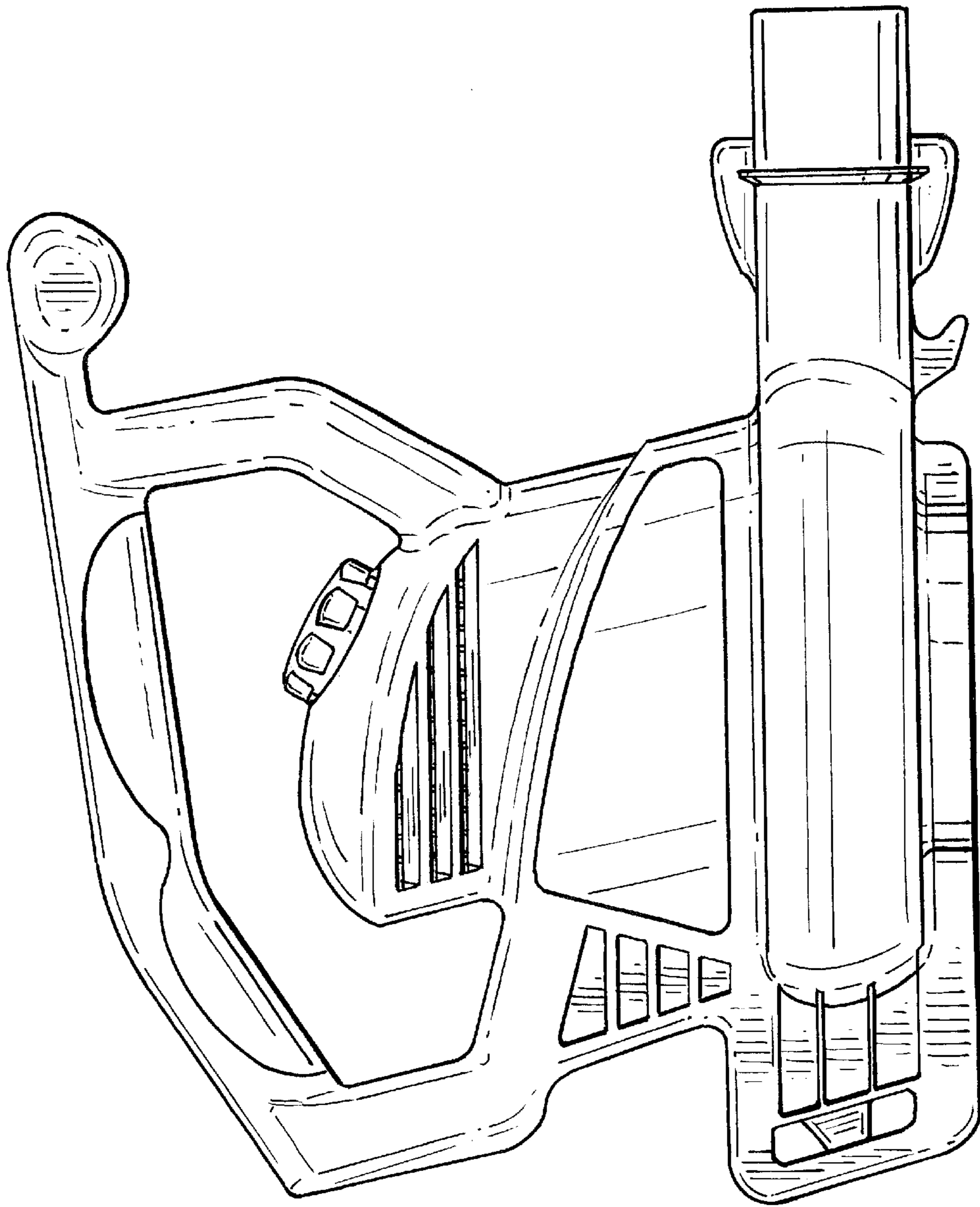


FIG. 3

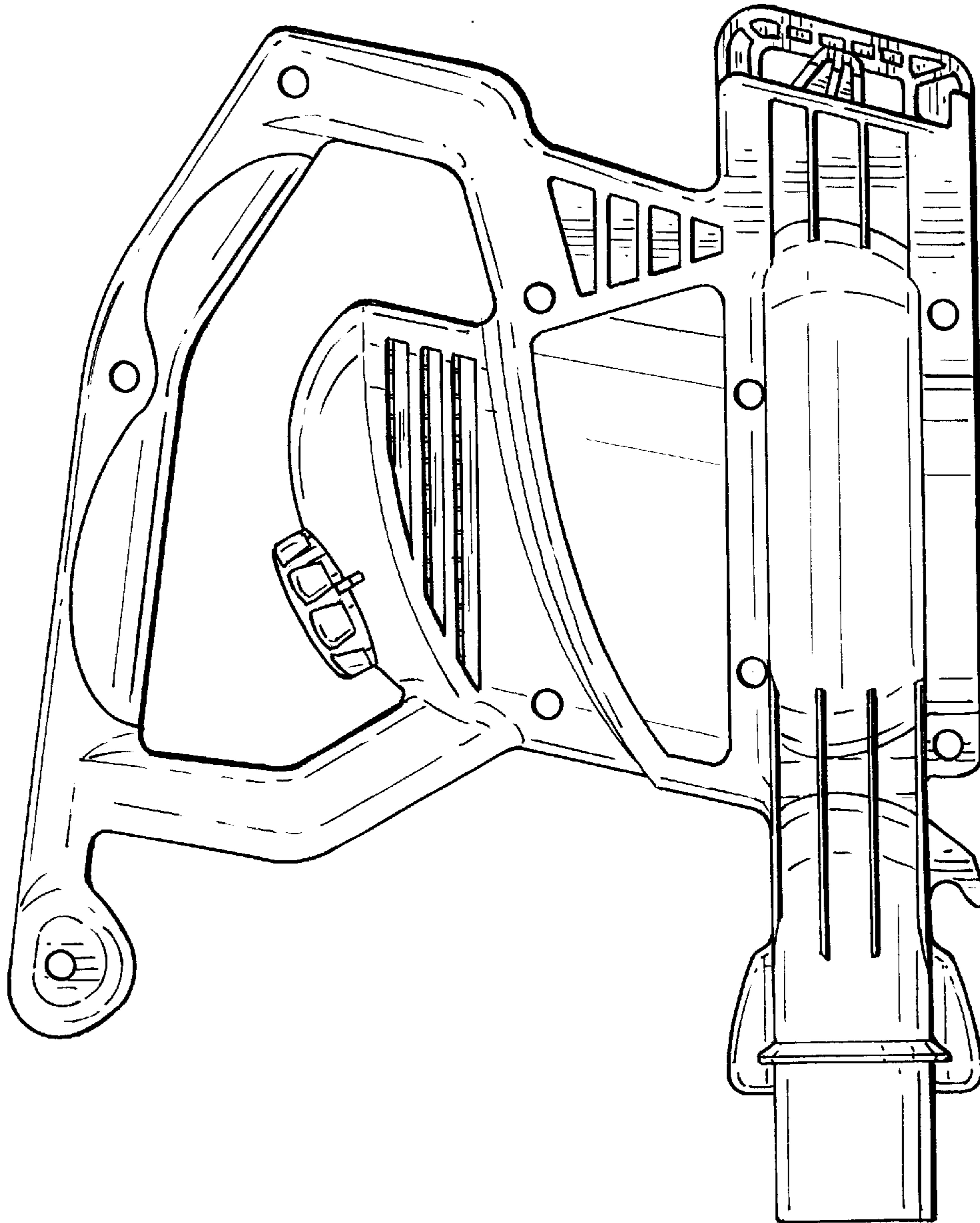
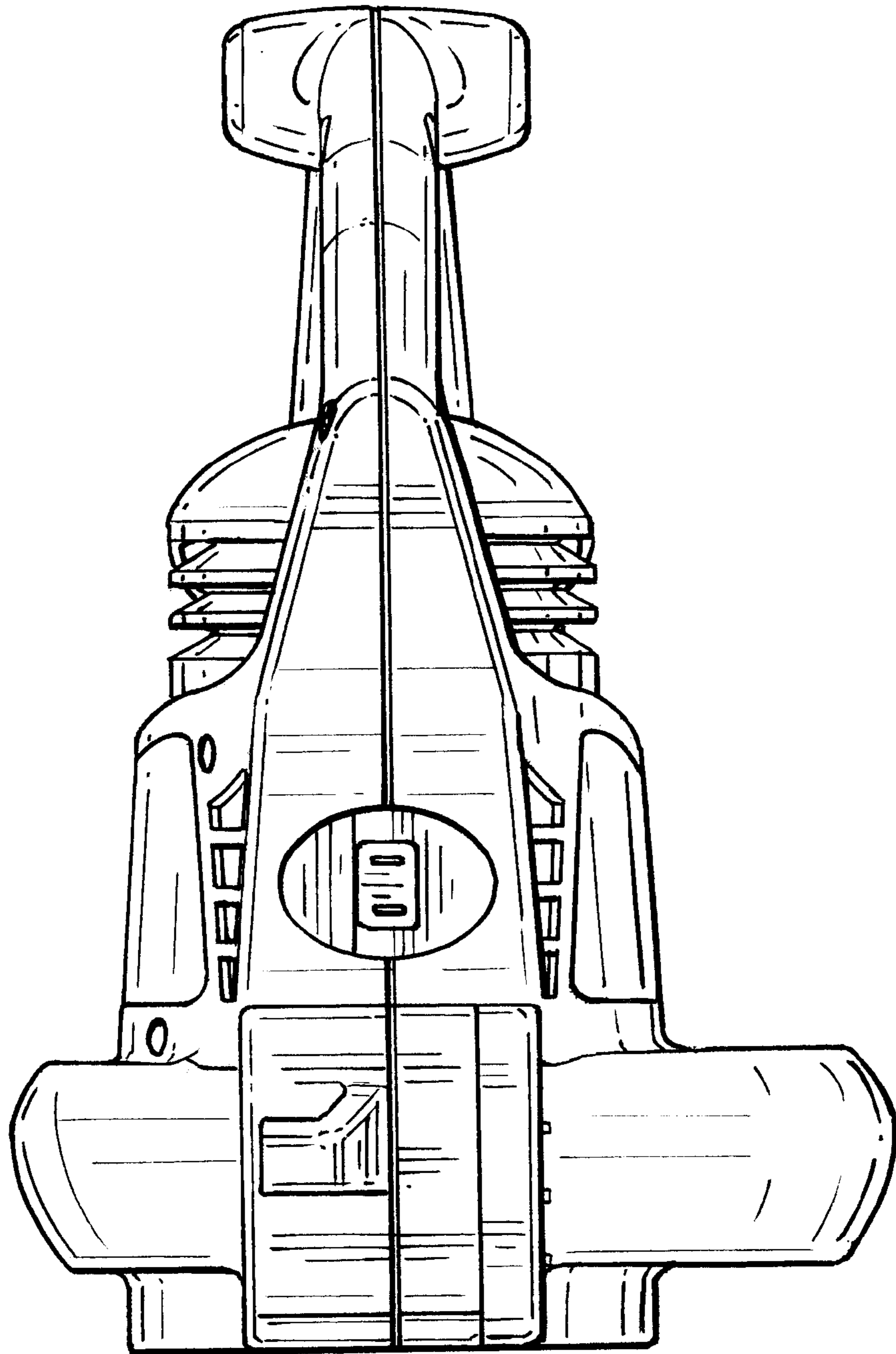
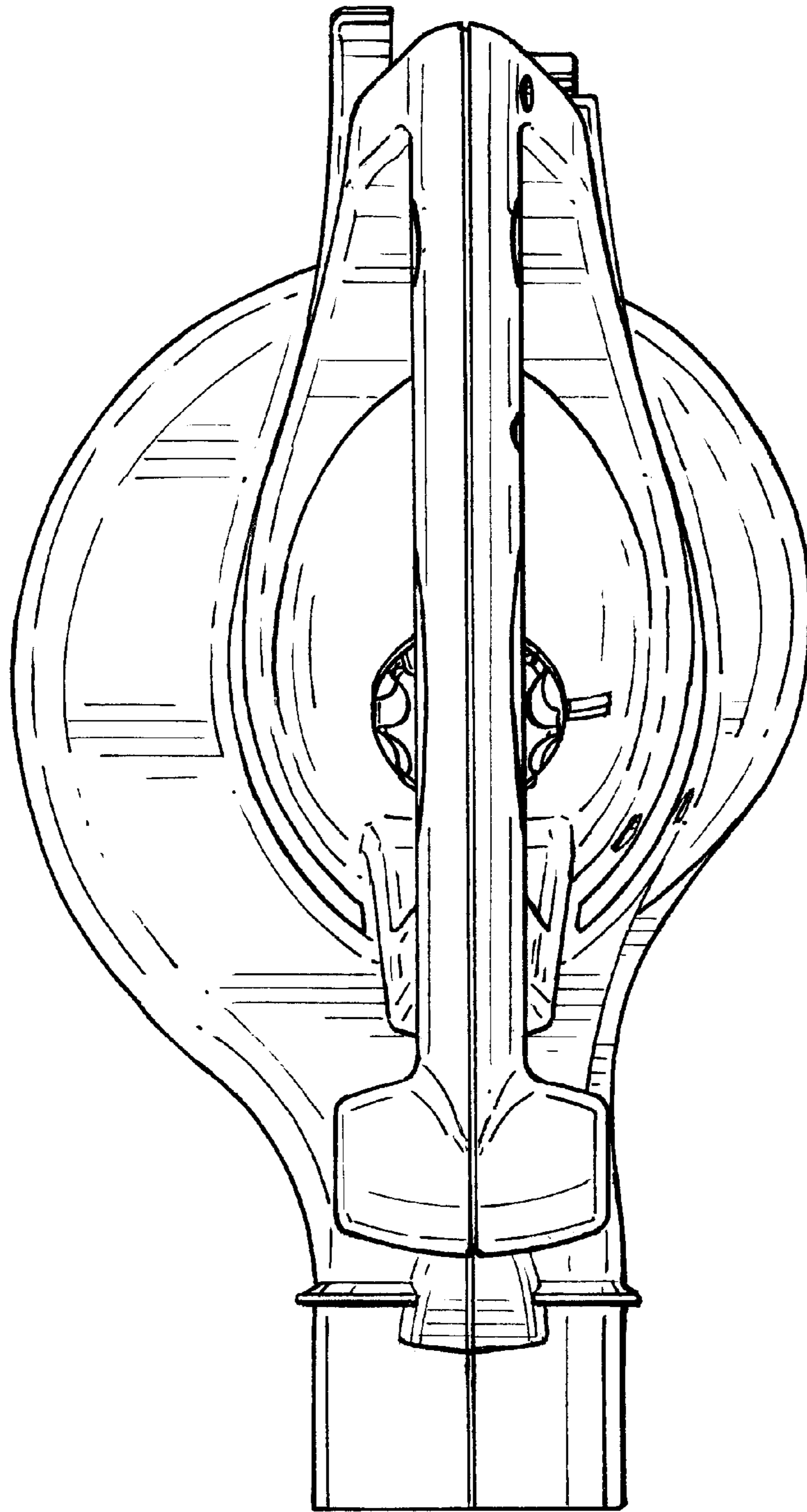


FIG. 4

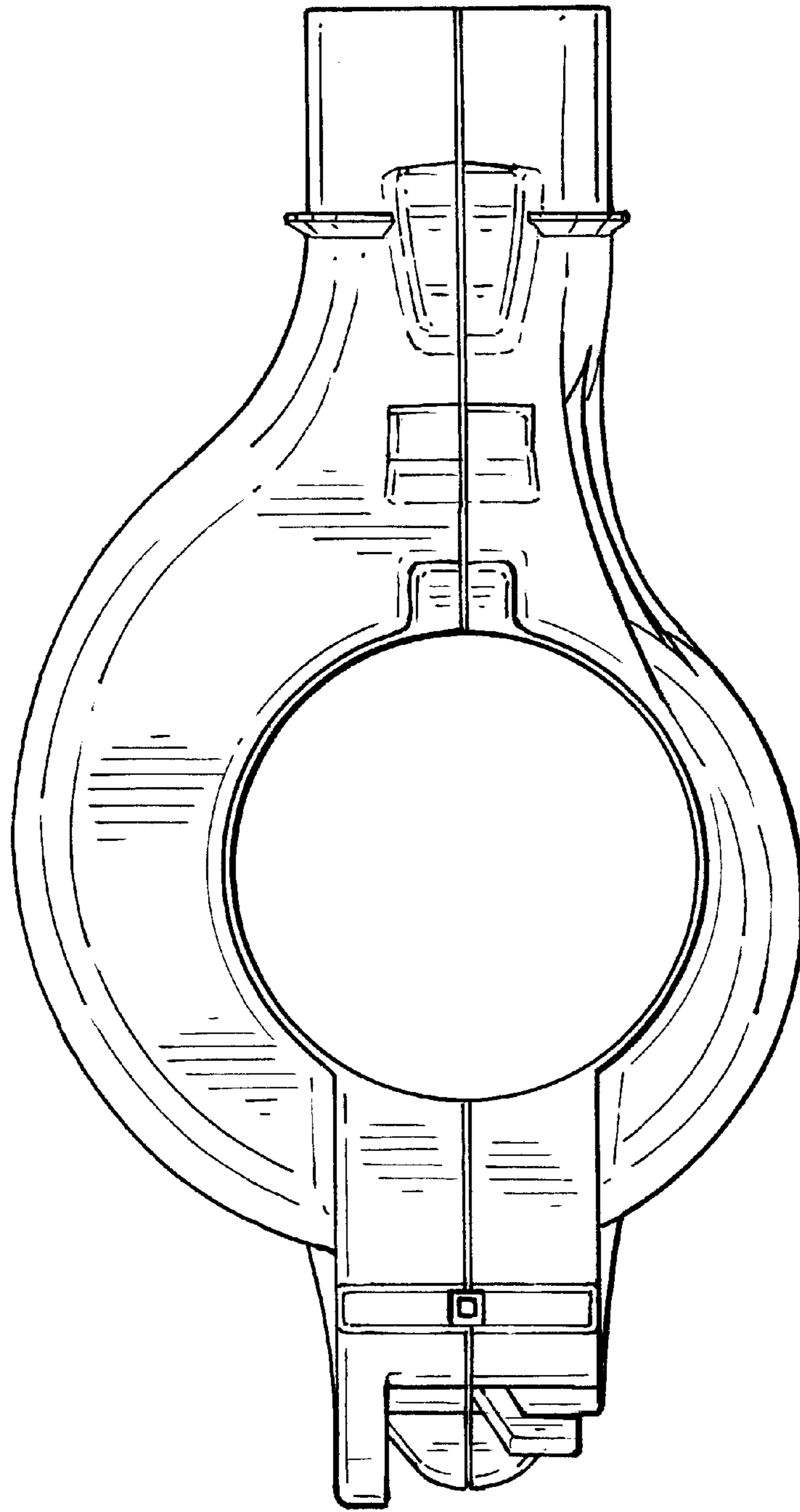


*FIG. 5*



*FIG. 6*





*FIG. 7*