



US00D461603S

(12) **United States Design Patent**
Oblack

(10) **Patent No.:** **US D461,603 S**

(45) **Date of Patent:** **** Aug. 13, 2002**

(54) **FLYING PET TOY**

(76) **Inventor:** **Mark Oblack**, 900 SW. Cedarglade,
Issaquah, WA (US) 98027

(**) **Term:** **14 Years**

(21) **Appl. No.:** **29/149,493**

(22) **Filed:** **Oct. 10, 2001**

(51) **LOC (7) Cl.** **30-99**

(52) **U.S. Cl.** **D30/160; D6/598**

(58) **Field of Search** **D30/160, 118;**
119/702-707, 711, 28.5; 5/632, 631; D6/595,
598, 597, 601, 589; D21/617, 656

(56) **References Cited**

U.S. PATENT DOCUMENTS

2,727,242	A	*	12/1955	Pascal	D6/589
D221,559	S	*	8/1971	Frifogle	D30/160
D301,360	S	*	5/1989	Wells	D21/617
D312,515	S	*	11/1990	Hall	D30/160
5,237,961	A	*	8/1993	Sarullo	119/709
D348,172	S	*	6/1994	Keller	D6/598
D355,733	S	*	2/1995	O'Rourke et al.	D30/160
D359,600	S	*	6/1995	Hotta et al.	D30/160
D371,872	S	*	7/1996	Petersen	D30/160
D374,520	S	*	10/1996	Plunk	D30/160
D374,748	S	*	10/1996	Plunk	D30/160
D387,234	S	*	12/1997	Keller	D6/598
D408,197	S	*	4/1999	Bear	D6/598

D409,429	S	*	5/1999	Bear	D6/598
D433,862	S	*	11/2000	Rosenstadt et al.	D6/598
D445,623	S	*	7/2001	Hartner	D6/598
D447,607	S	*	9/2001	Kaplan	D30/118
6,283,063	B1	*	9/2001	Zalevsky	119/707
D449,718	S	*	10/2001	Friberg	D30/118
D453,241	S	*	1/2002	Kaplan	D30/160
6,360,696	B1	*	3/2002	Arnold et al.	119/710

OTHER PUBLICATIONS

Fat Cat, Inc., "Hurl a Squirrel," Oct. 1999.

* cited by examiner

Primary Examiner—Cathy Anne MacCormac

(74) *Attorney, Agent, or Firm*—Kathleen T. Petrich

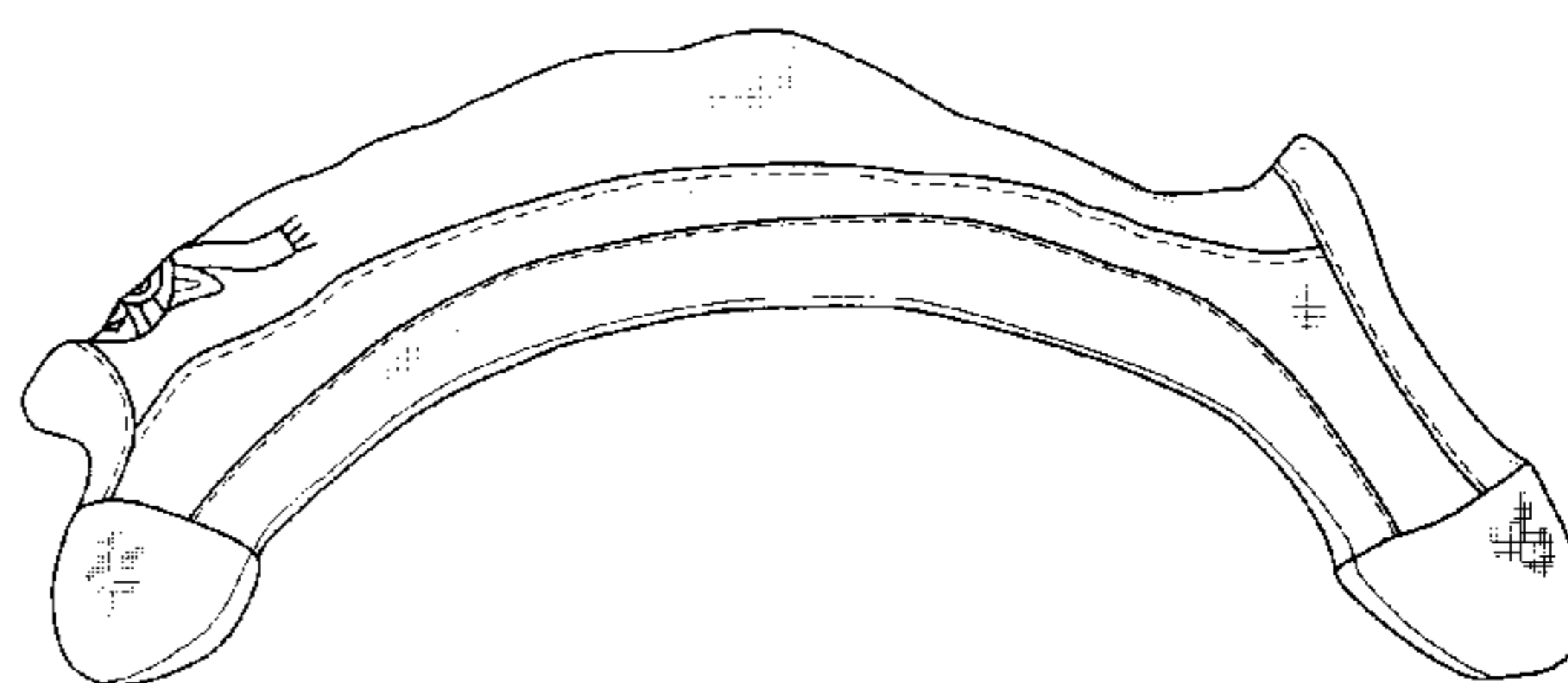
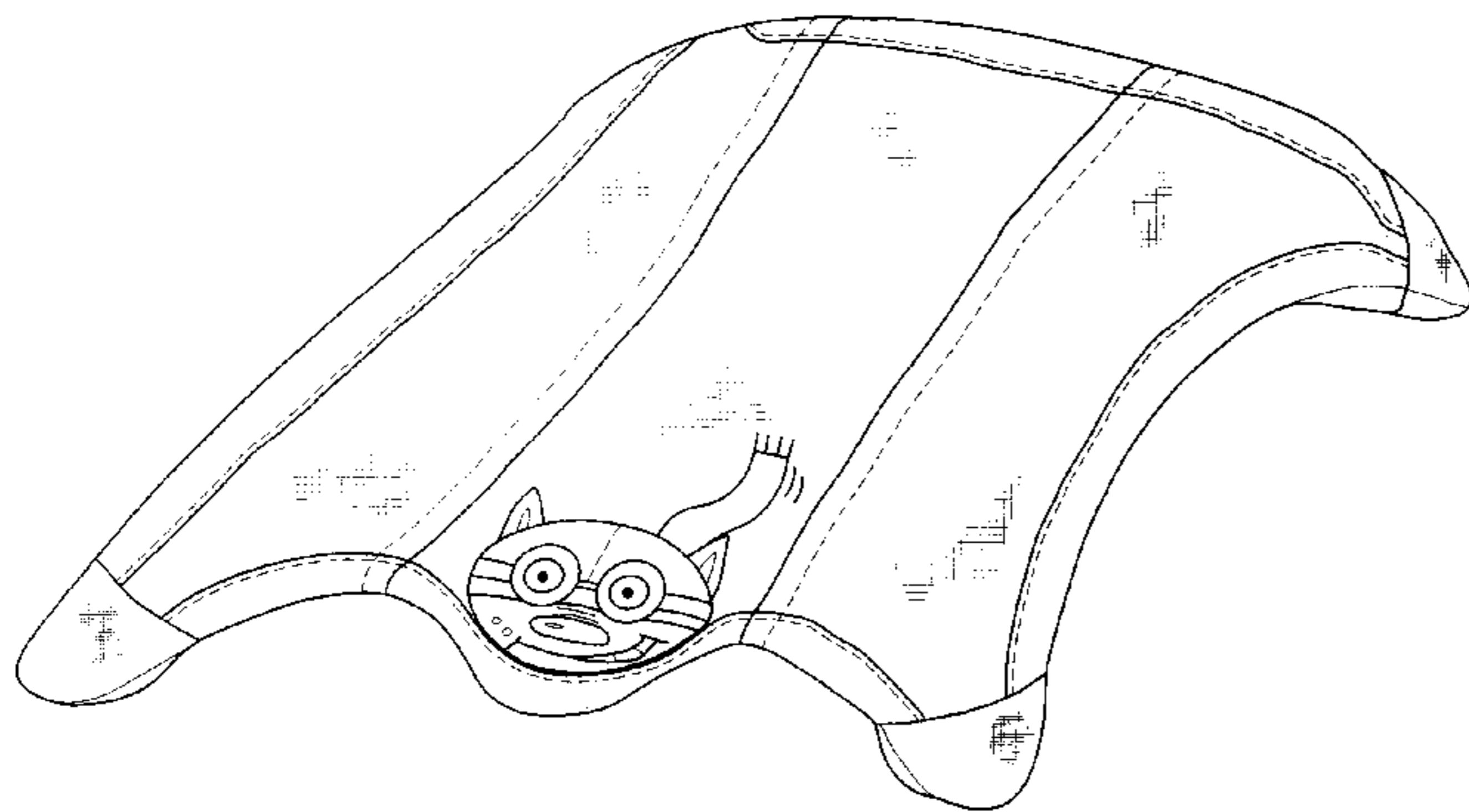
(57) **CLAIM**

I claim the ornamental design for flying pet toy, as shown and described.

DESCRIPTION

FIG. 1 is a front perspective view illustrating the design of the flying pet toy of the present invention;
FIG. 2 is a top plan view thereof;
FIG. 3 is a bottom plan view thereof;
FIG. 4 is a right side view, the left side view being essentially a mirror image thereof; and,
FIG. 5 is a back view thereof.

1 Claim, 2 Drawing Sheets



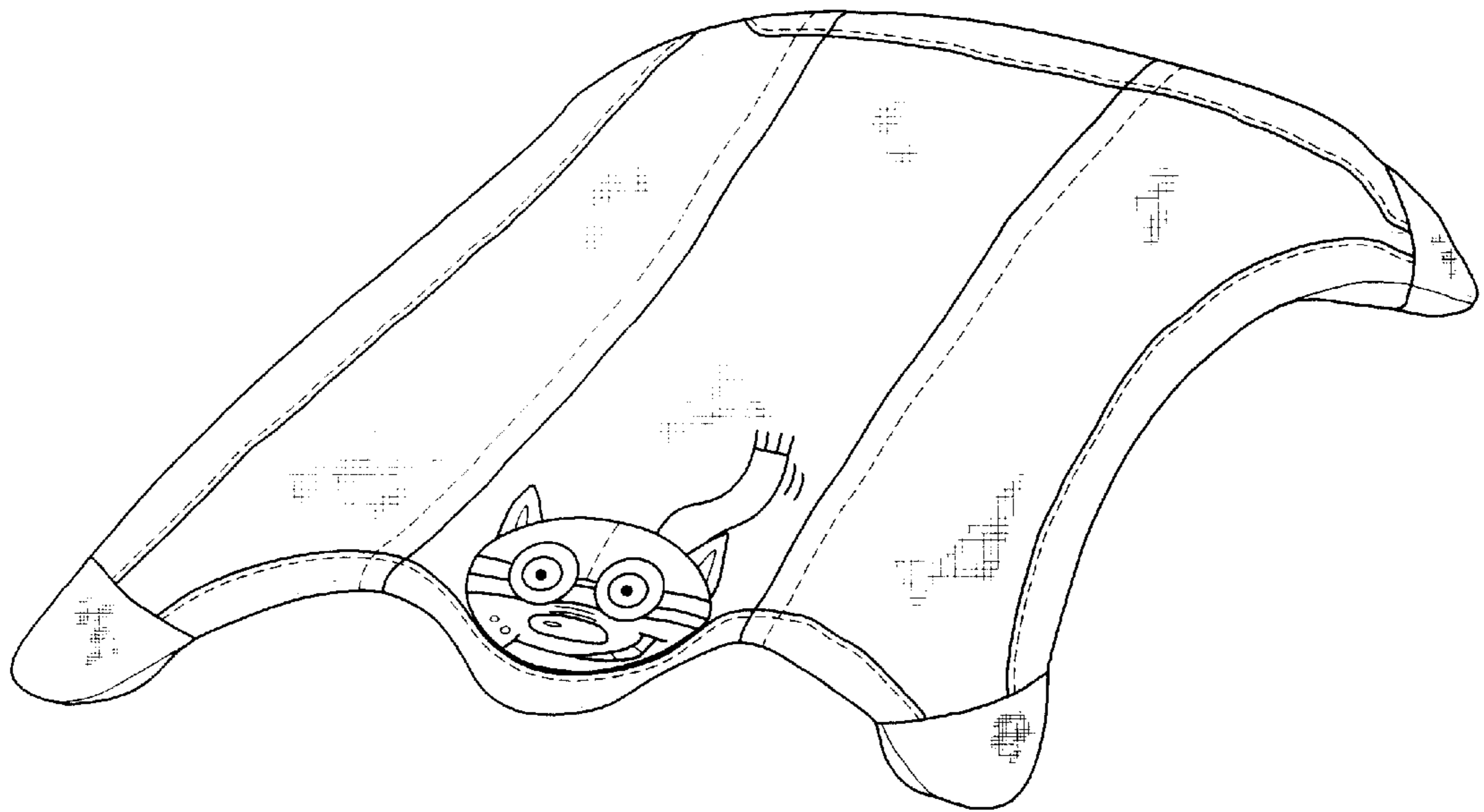


Fig. 1

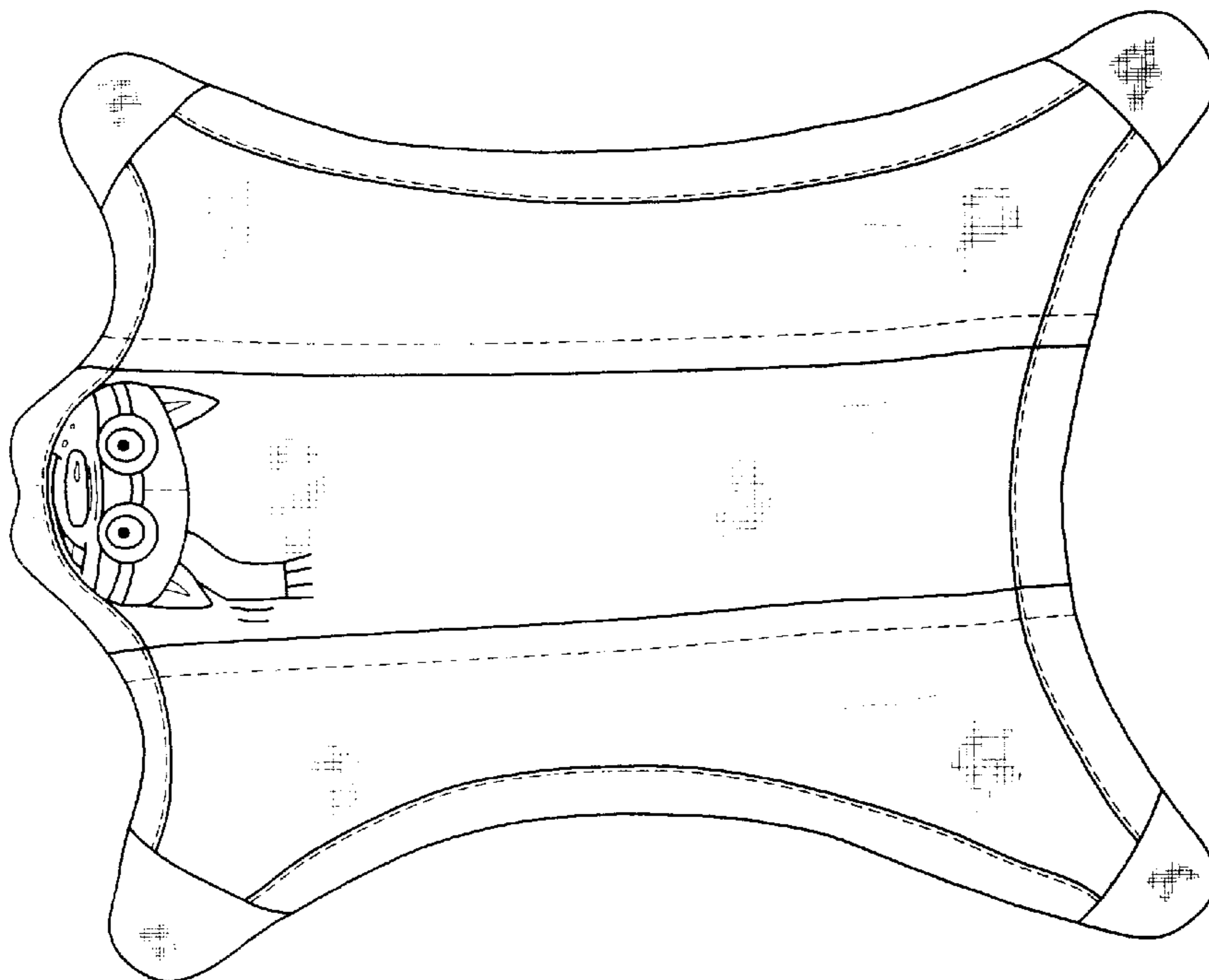


Fig. 2

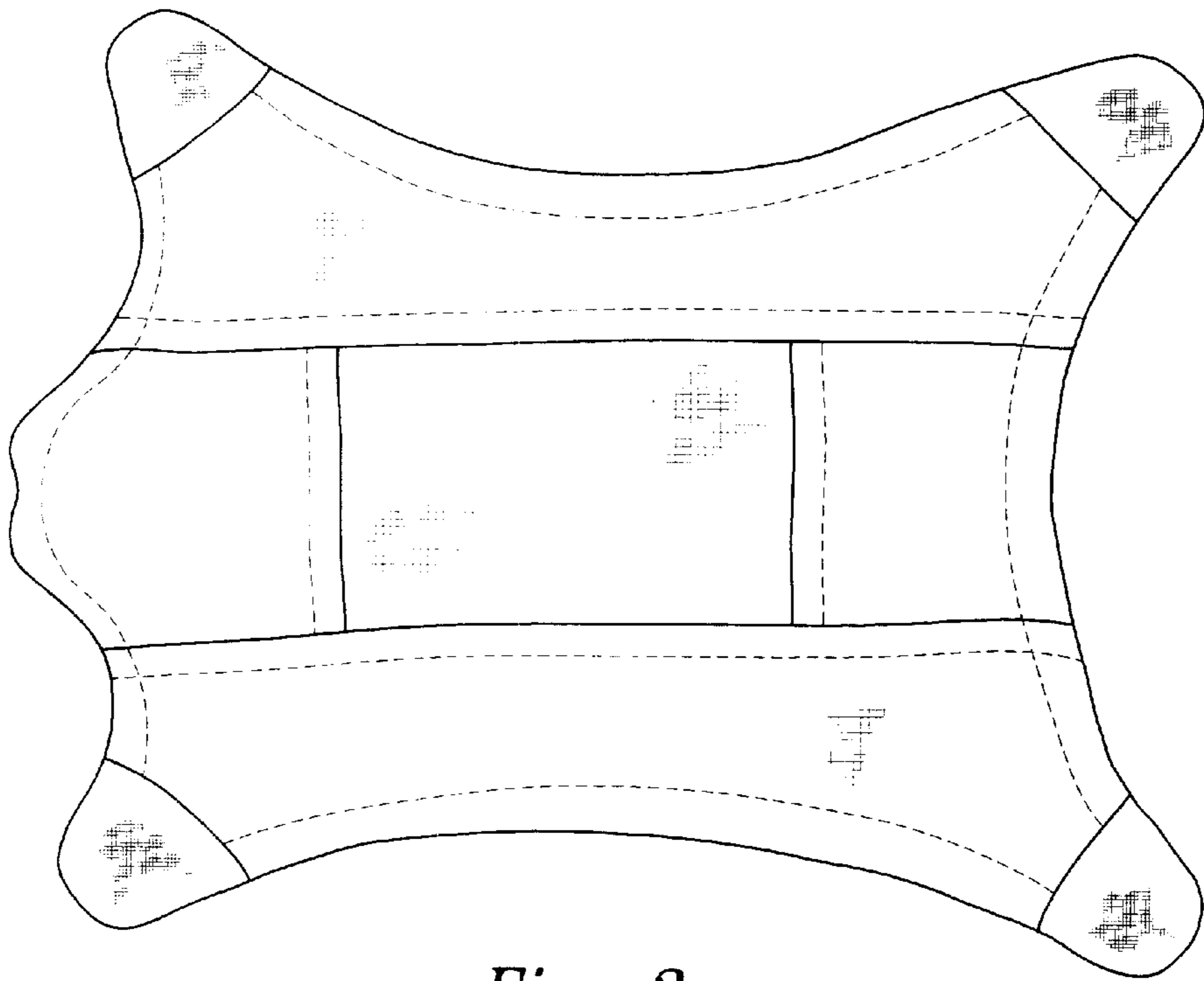


Fig. 3

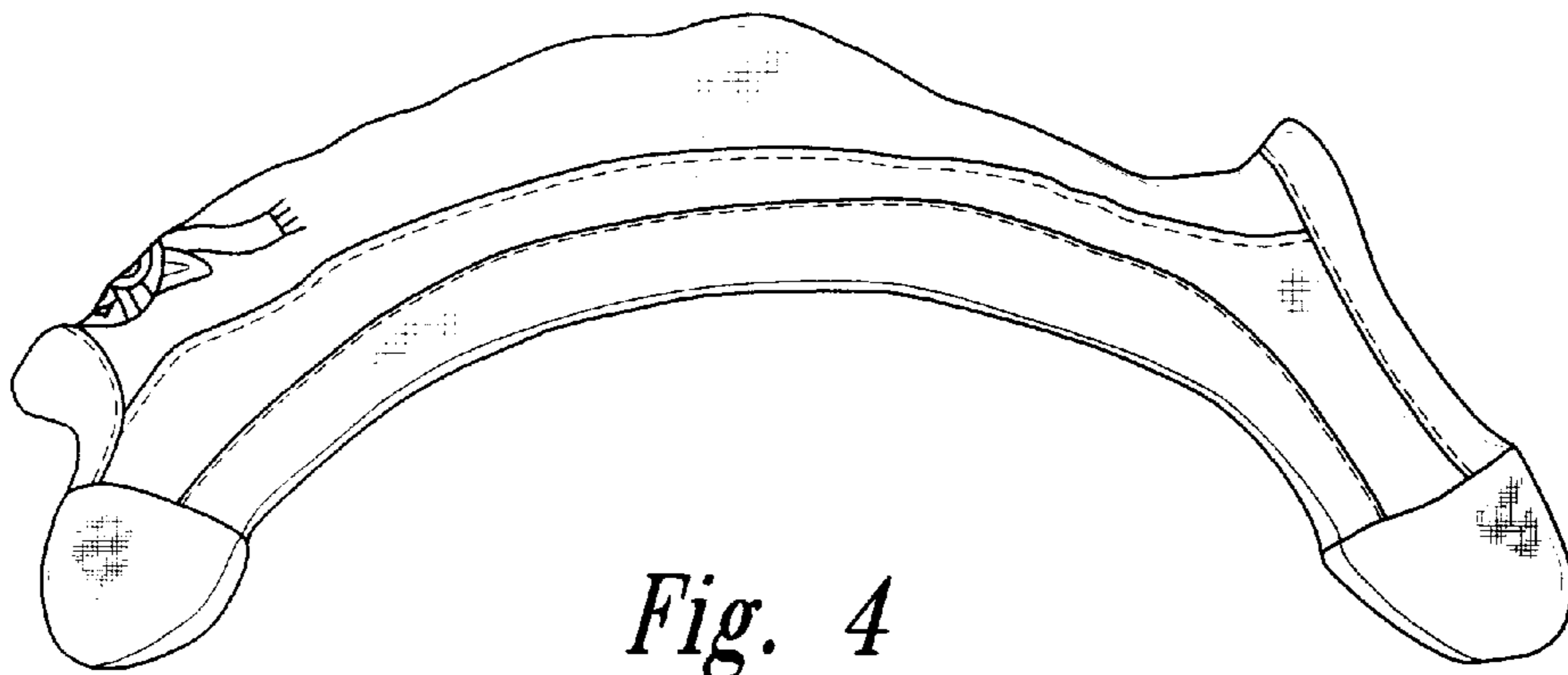


Fig. 4

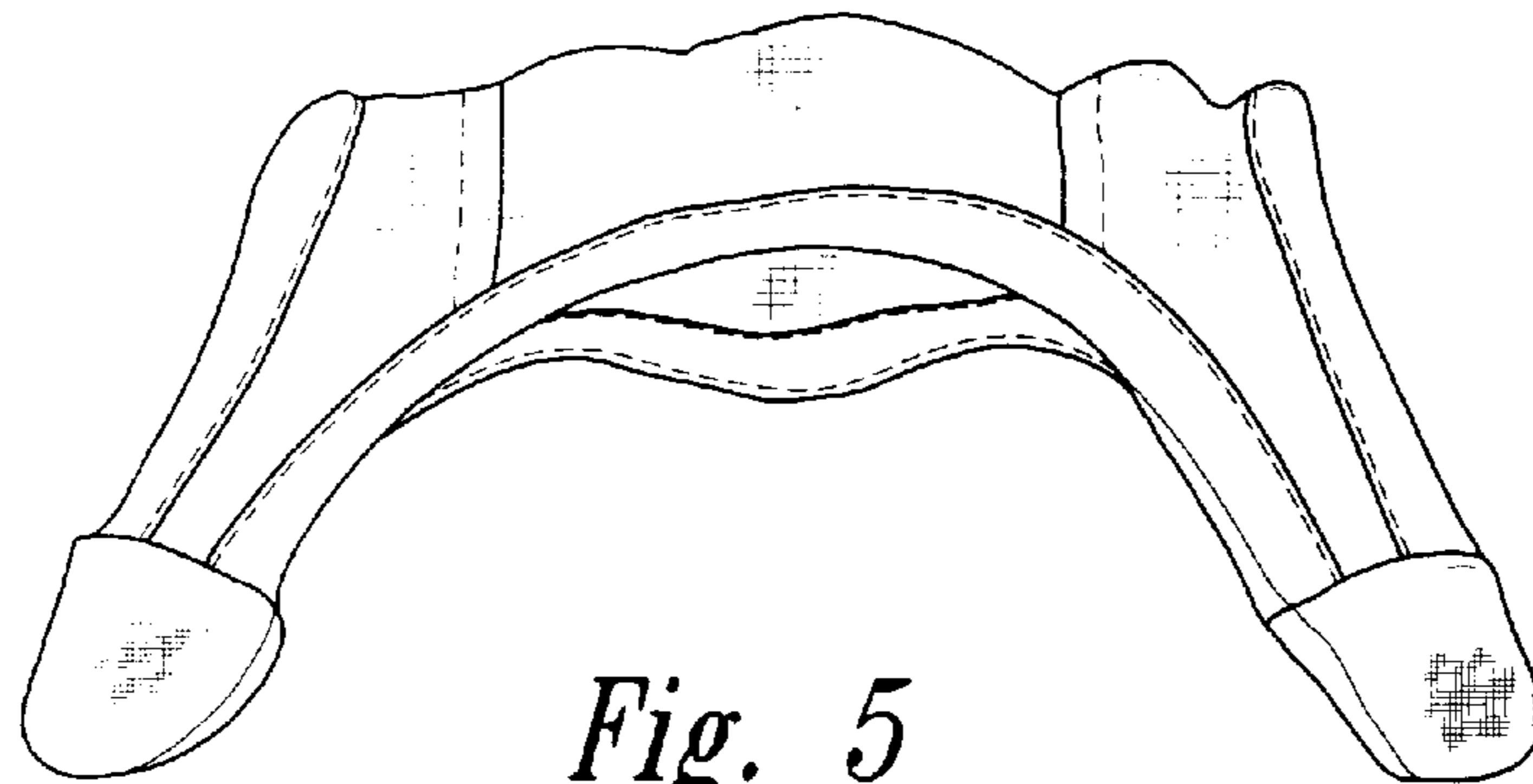


Fig. 5