



US00D461602S

(12) **United States Design Patent** (10) **Patent No.:** **US D461,602 S**
Abady (45) **Date of Patent:** **** Aug. 13, 2002**

(54) **GRIPPING SURFACE FOR AN ENGLISH STIRRUP**
(76) Inventor: **Tracy L. Abady**, 38 Chestnut St., Douglas, MA (US) 01516
(**) Term: **14 Years**
(21) Appl. No.: **29/131,073**
(22) Filed: **Oct. 13, 2000**
(51) **LOC (7) Cl.** **30-04**
(52) **U.S. Cl.** **D30/142**
(58) **Field of Search** D30/142; 54/47, 54/46.1, 48, 49; 24/453

(56) **References Cited**

U.S. PATENT DOCUMENTS

222,556	A	*	12/1879	Whitman	54/48
376,526	A	*	1/1888	Jennings et al.	54/47
2,718,682	A	*	9/1955	Nichols	54/47
3,512,339	A	*	5/1970	Roberts	54/48
3,827,215	A	*	8/1974	Edenfield	D30/142
5,172,538	A	*	12/1992	Luger	54/47
D394,525	S	*	5/1998	Simmons	D30/142
6,062,007	A	*	5/2000	Cargill	54/47

* cited by examiner

Primary Examiner—Pamela Burgess
(74) *Attorney, Agent, or Firm*—Salter & Michaelson

(57) **CLAIM**

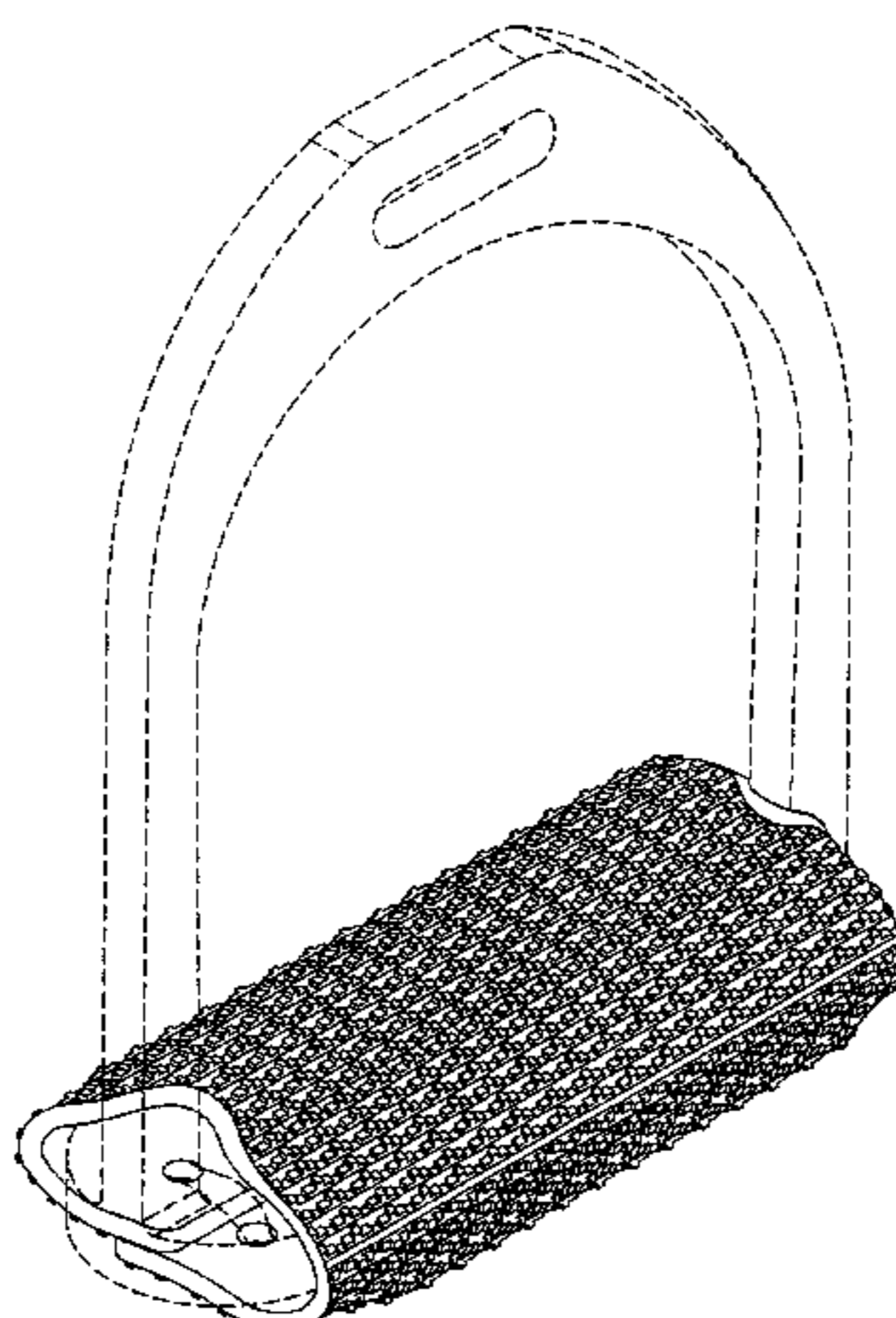
The ornamental design for a gripping surface for an English stirrup, as shown and described.

DESCRIPTION

FIG. 1 is a perspective view of a first embodiment of a gripping surface for an English stirrup showing my new design;
FIG. 2 is a front elevational view of the first embodiment thereof;
FIG. 3 is a rear elevational view of the first embodiment thereof;

FIG. 4 is a right side elevational view of the first embodiment thereof;
FIG. 5 is a left side elevational view of the first embodiment thereof;
FIG. 6 is a top plan view of the first embodiment thereof;
FIG. 7 is a bottom plan view of the first embodiment thereof;
FIG. 8 is a perspective view of a second embodiment of a gripping surface for an English stirrup showing my new design;
FIG. 9 is a front elevational view of the second embodiment thereof;
FIG. 10 is a rear elevational view of the second embodiment thereof;
FIG. 11 is a right side elevational view of the second embodiment thereof;
FIG. 12 is a left side elevational view of the second embodiment thereof;
FIG. 13 is a top plan view of the second embodiment thereof;
FIG. 14 is a bottom plan view of the second embodiment thereof;
FIG. 15 is a perspective view of a third embodiment of a gripping surface for an English stirrup showing my new design;
FIG. 16 is a front elevational view of the third embodiment thereof;
FIG. 17 is a rear elevational view of the third embodiment thereof;
FIG. 18 is a right side elevational view of the third embodiment thereof;
FIG. 19 is a left side elevational view of the third embodiment thereof;
FIG. 20 is a top plan view of the third embodiment thereof; and,
FIG. 21 is a bottom plan view of the third embodiment thereof.
The portions shown in broken lines in FIGS. 1–21 are included for illustrative purposes only and form no part of the claimed design.

1 Claim, 9 Drawing Sheets



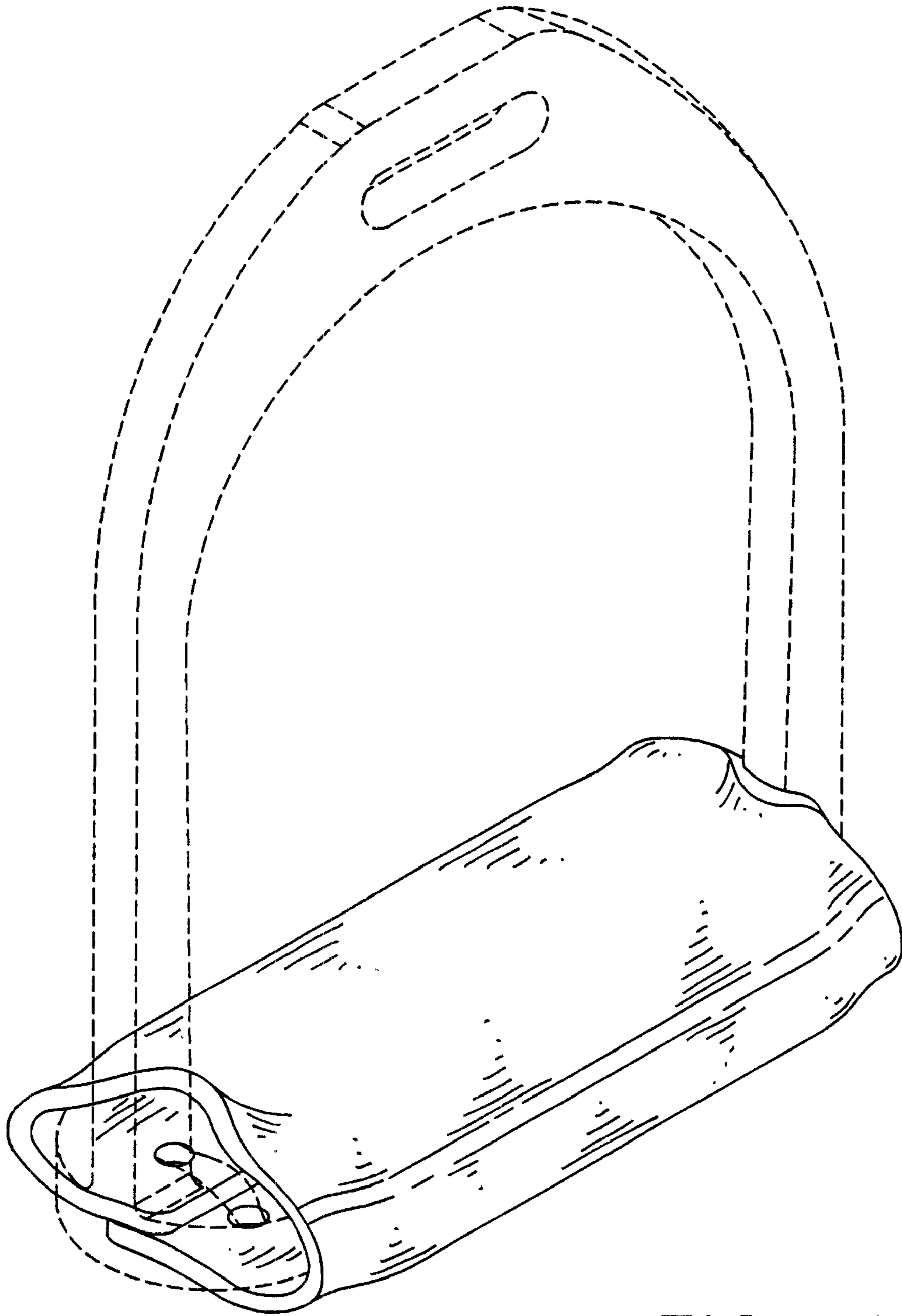


FIG. 1

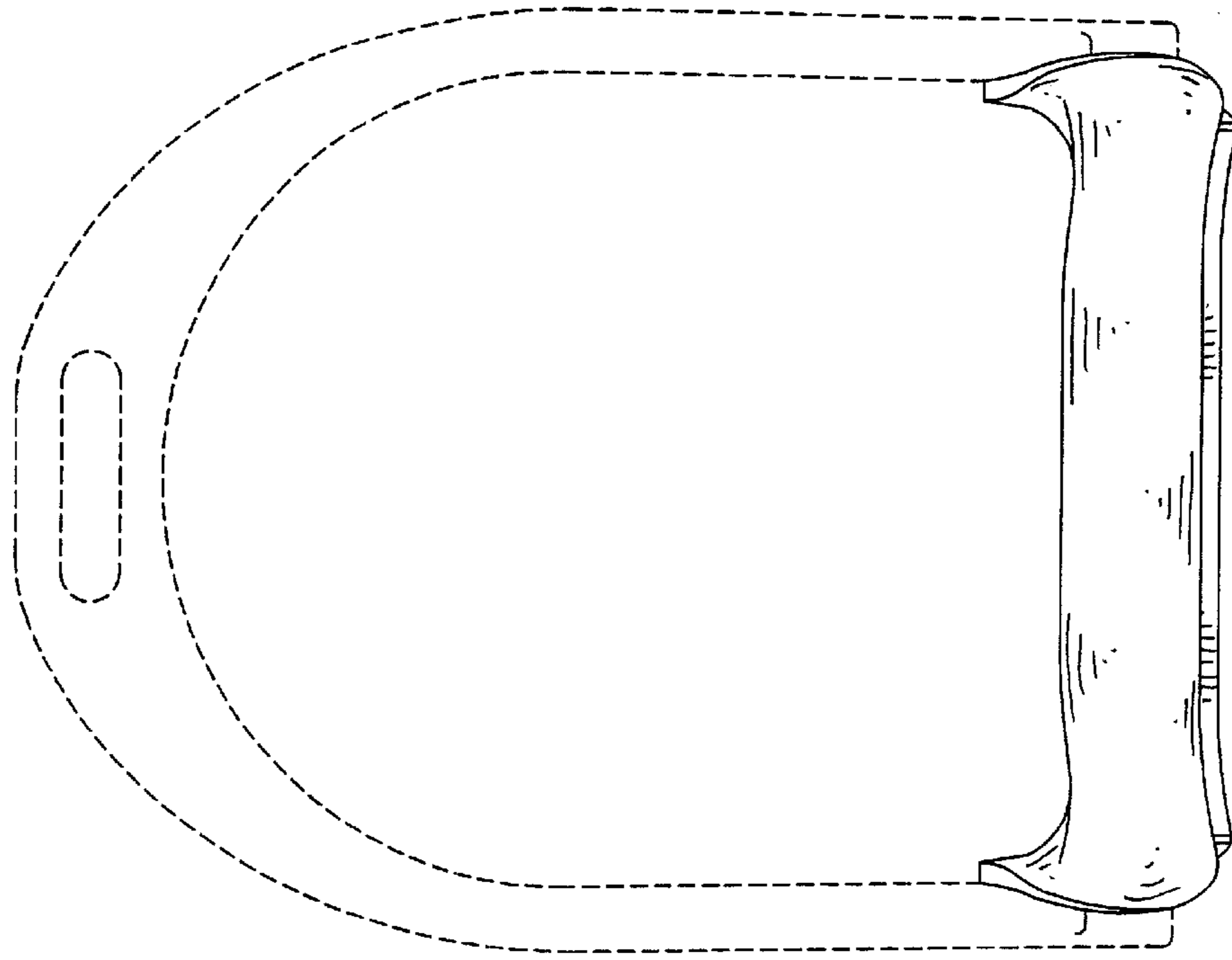


FIG. 2

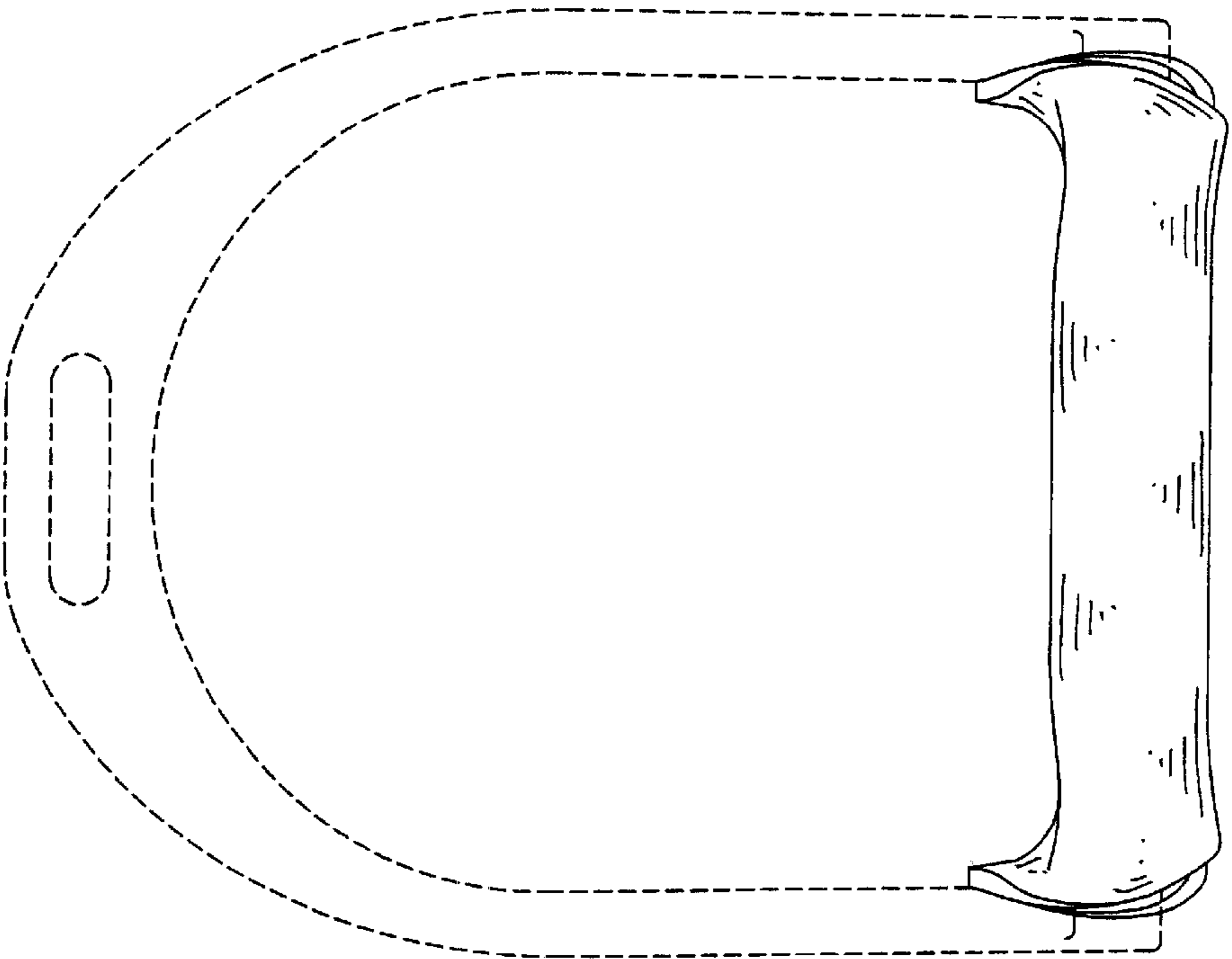


FIG. 3

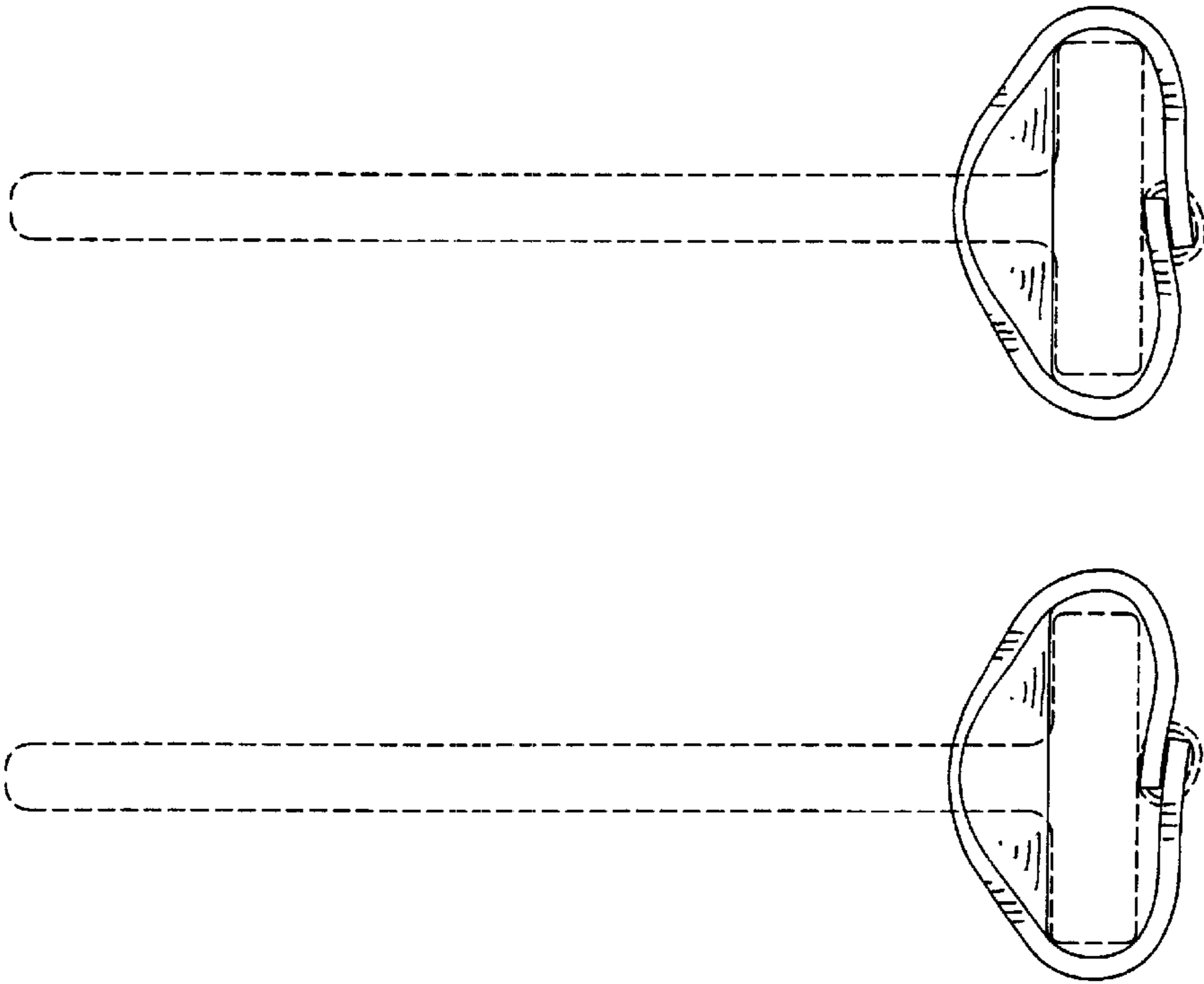


FIG. 4

FIG. 5

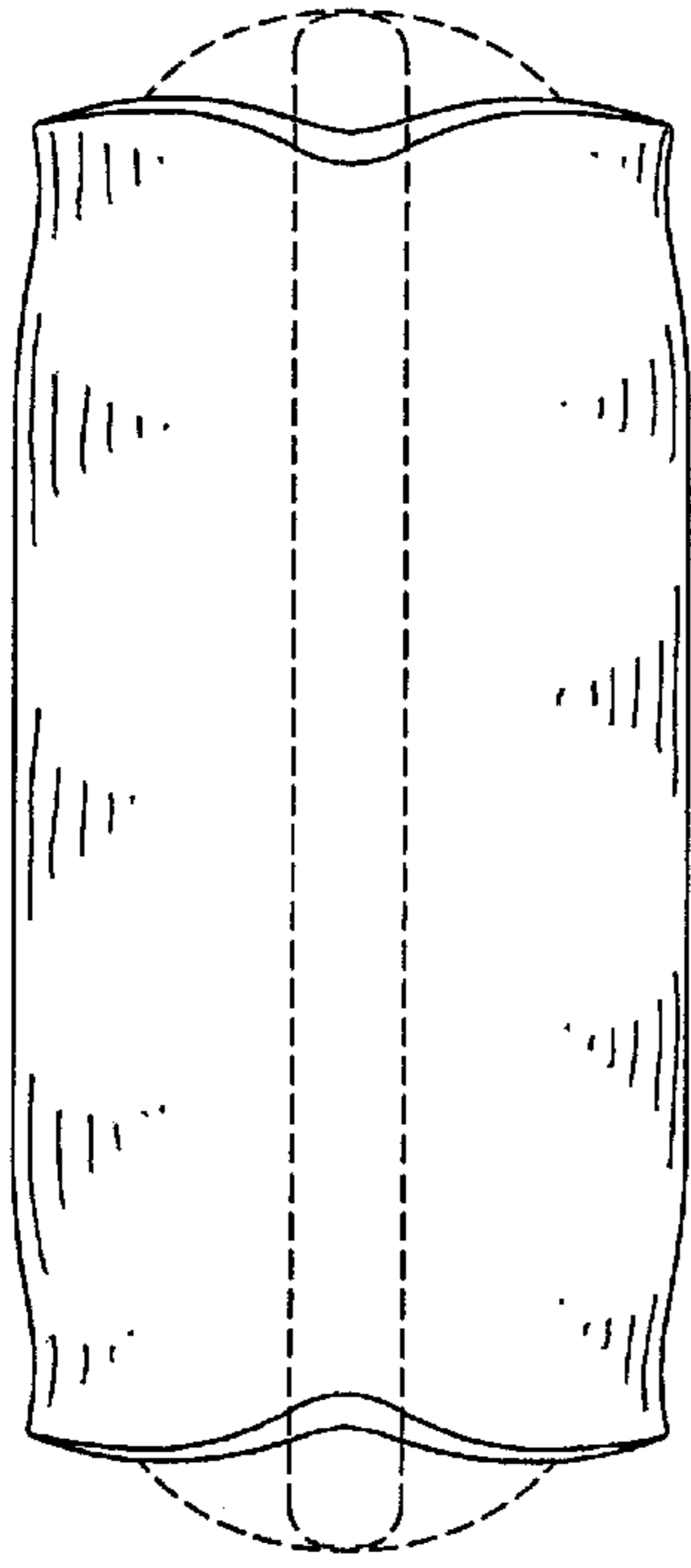


FIG. 6

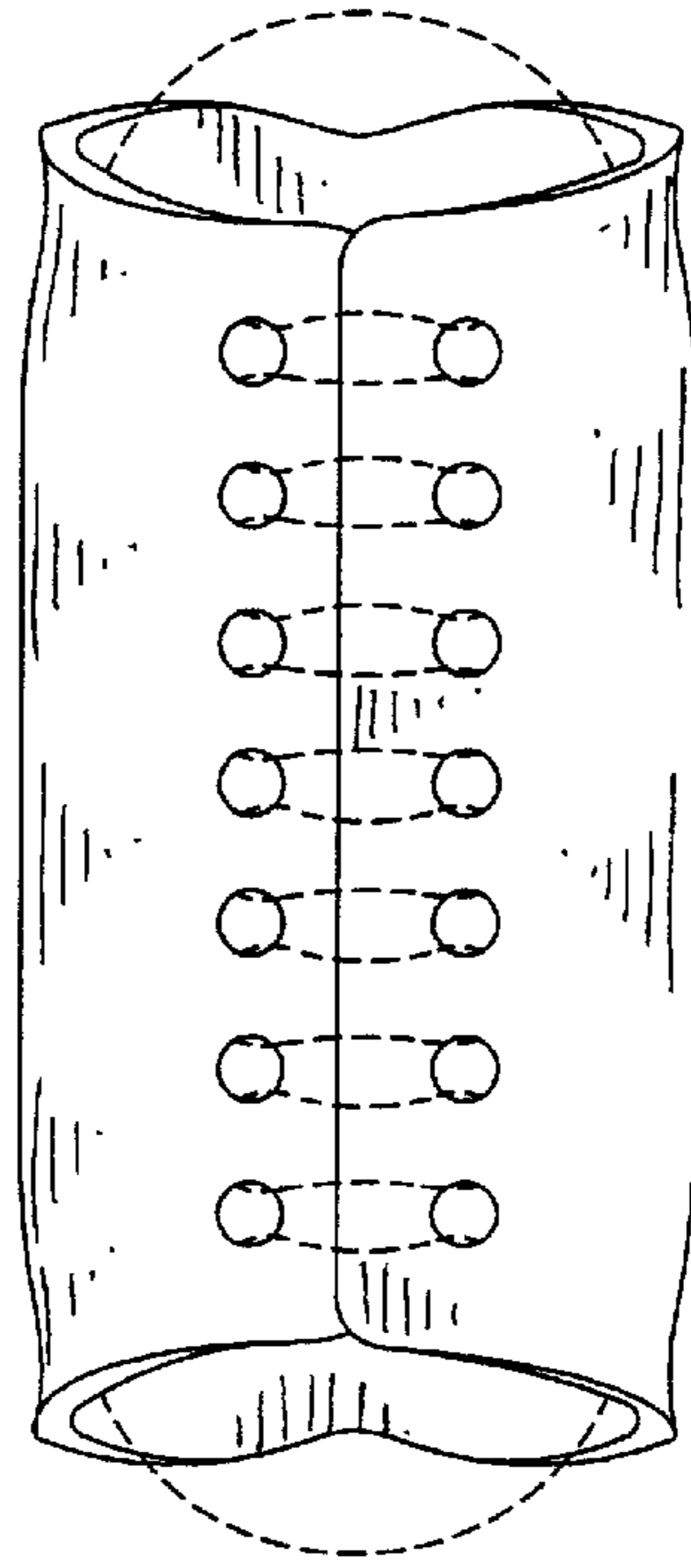


FIG. 7

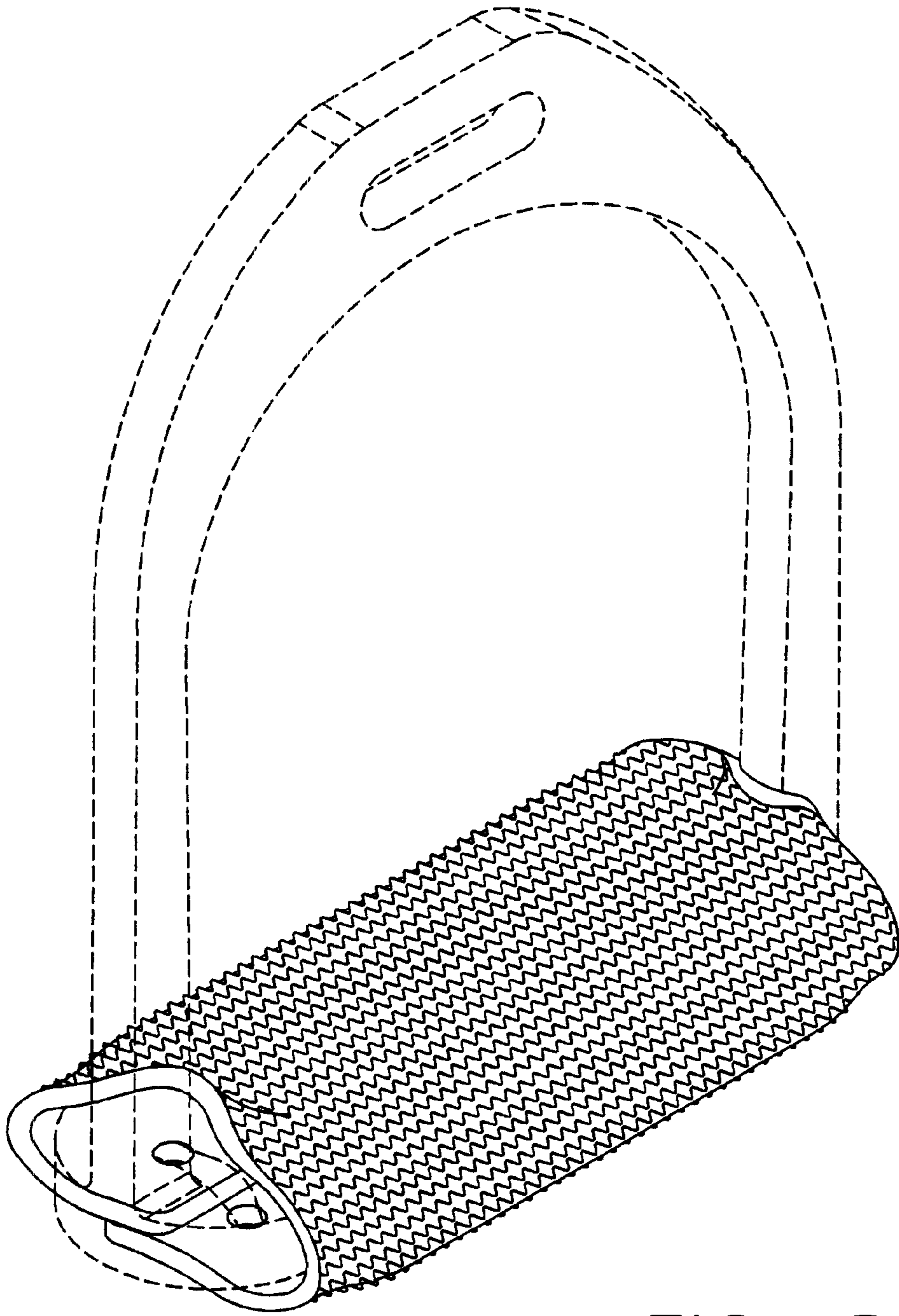


FIG. 8

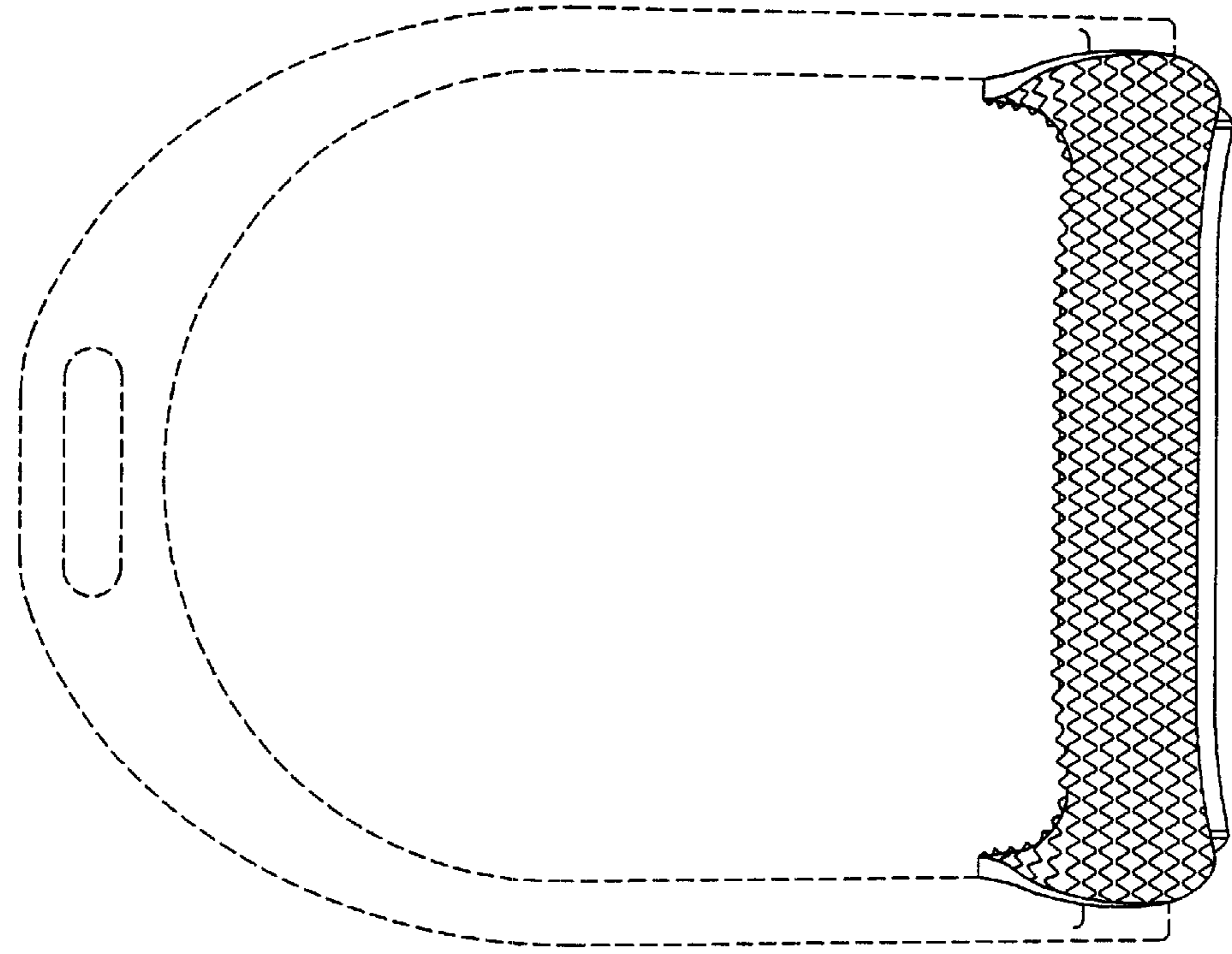


FIG. 9

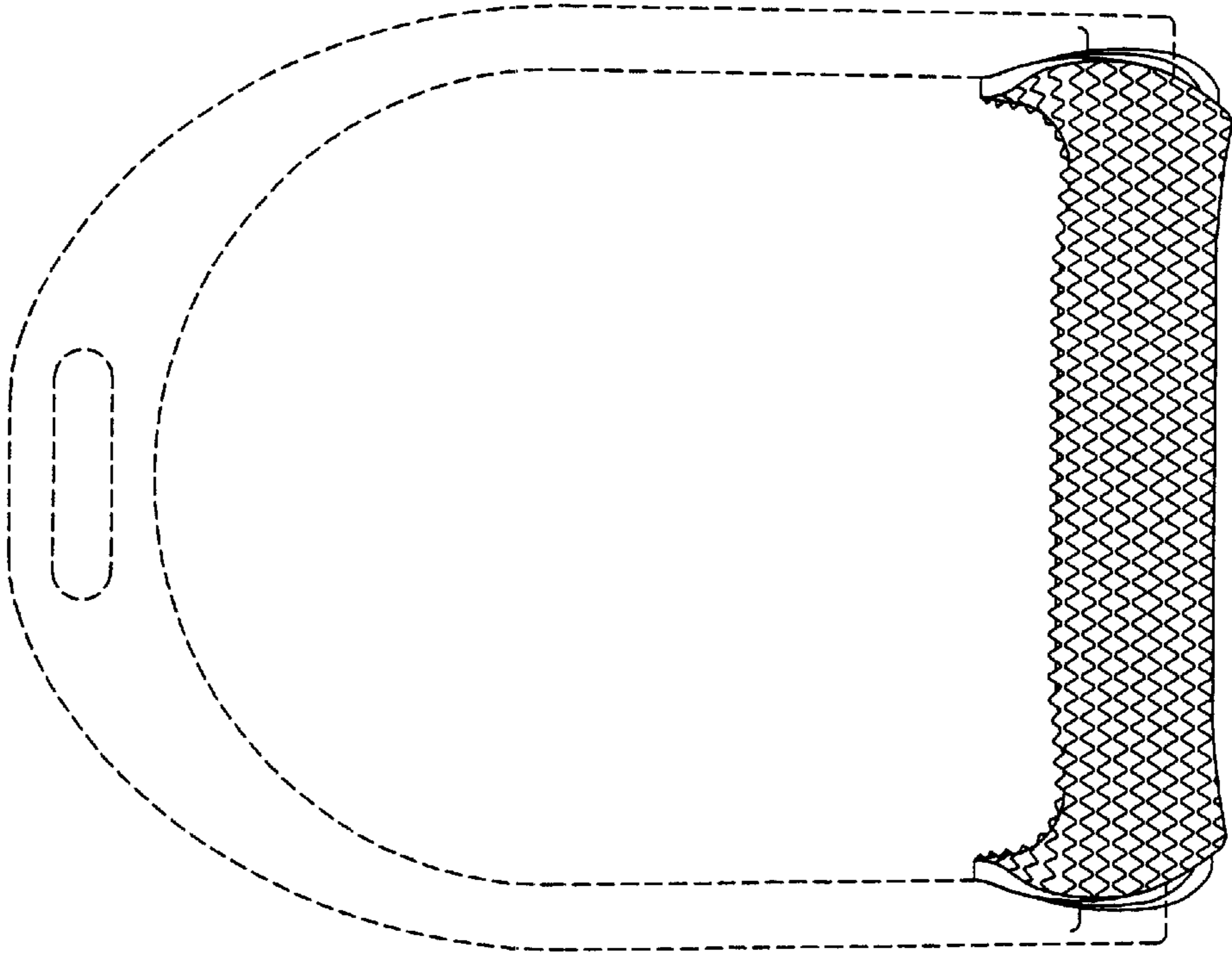


FIG. 10

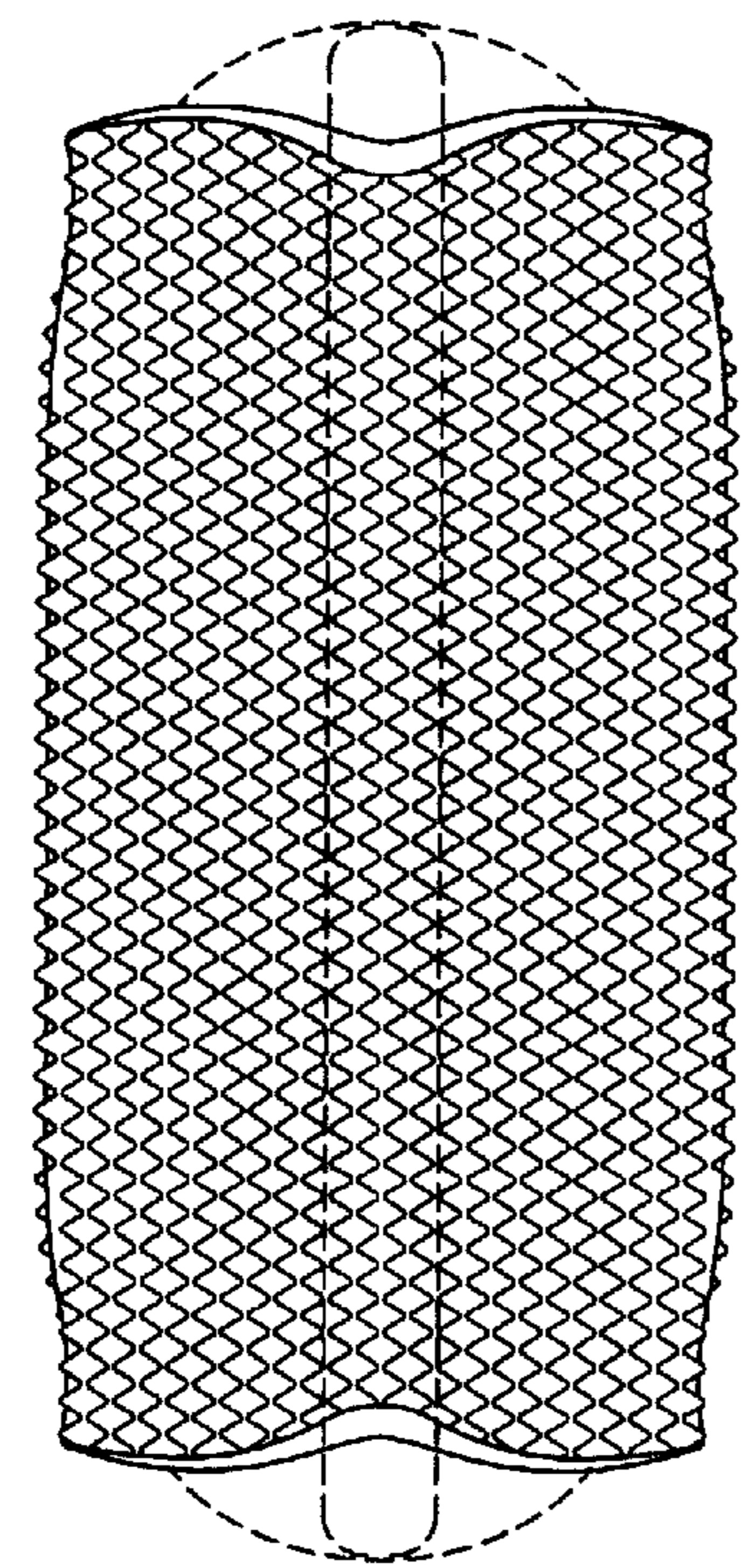


FIG. 13

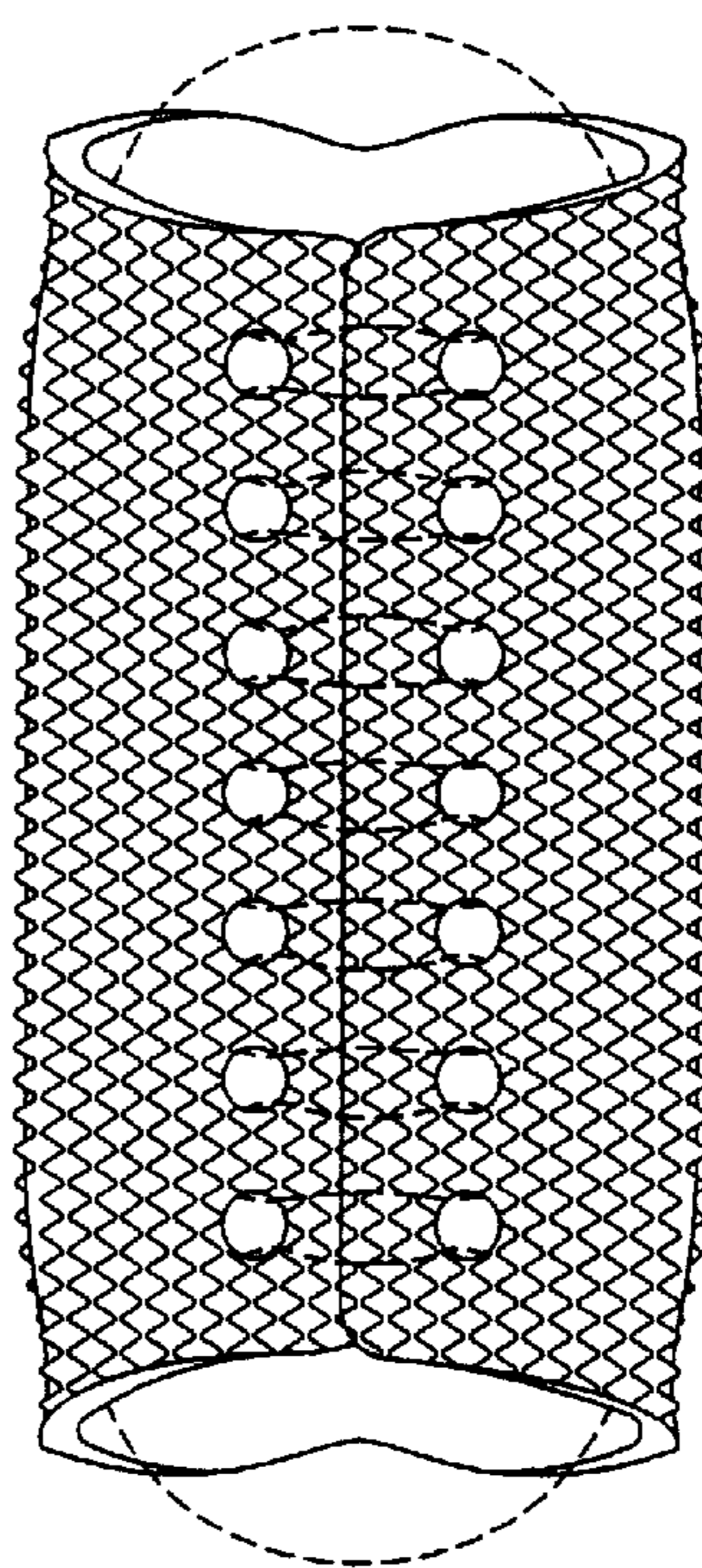


FIG. 14

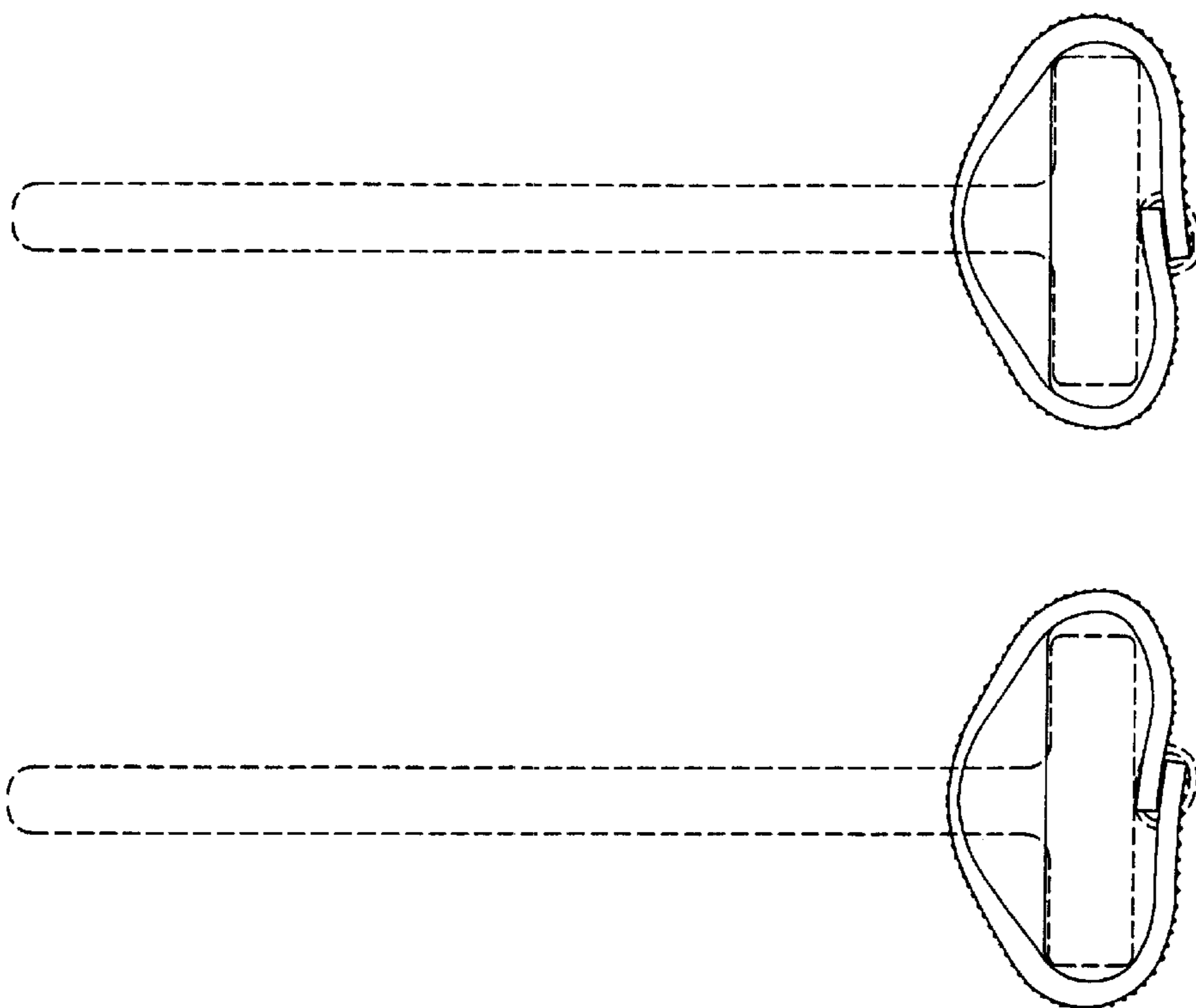


FIG. 11

FIG. 12

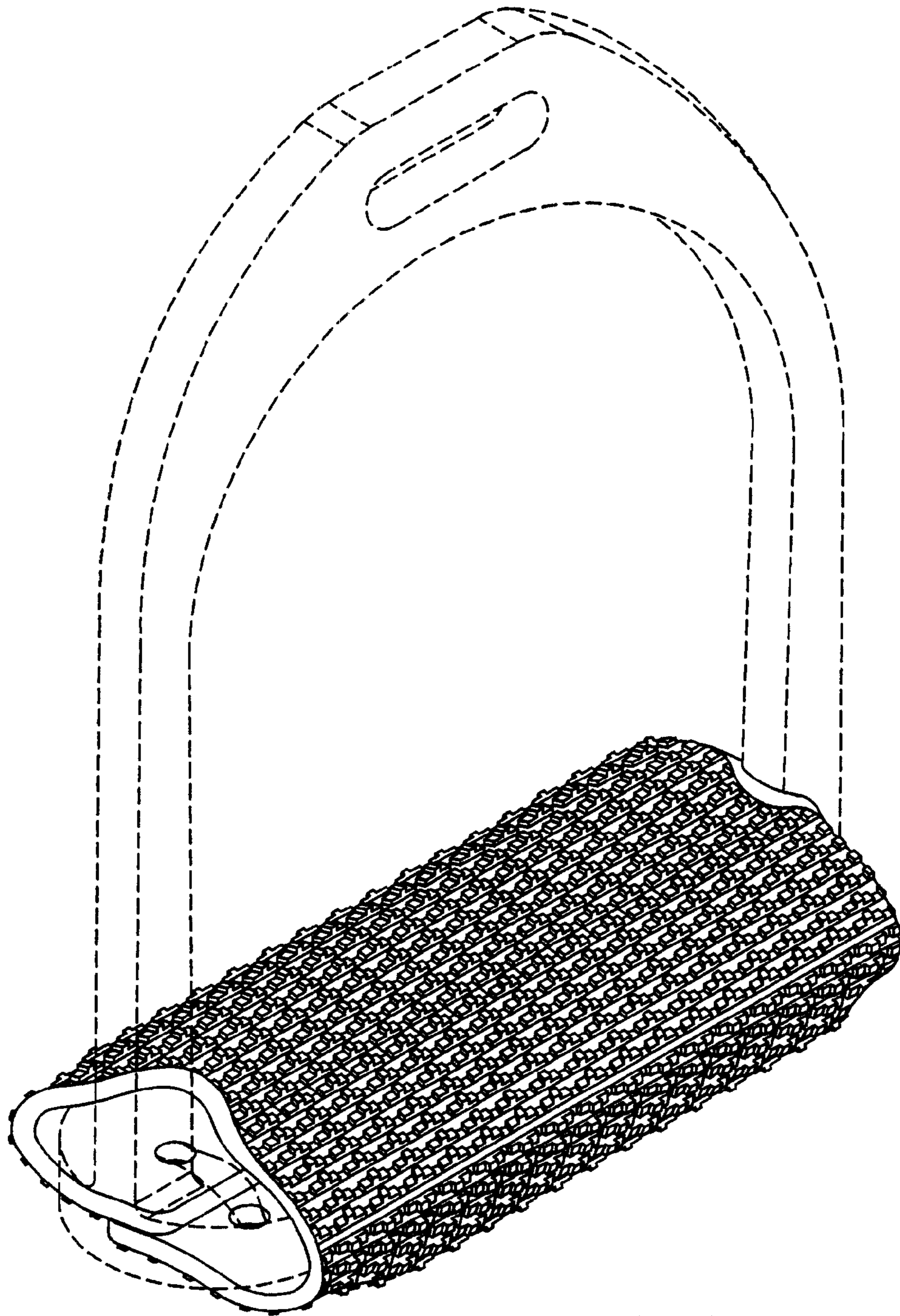


FIG. 15

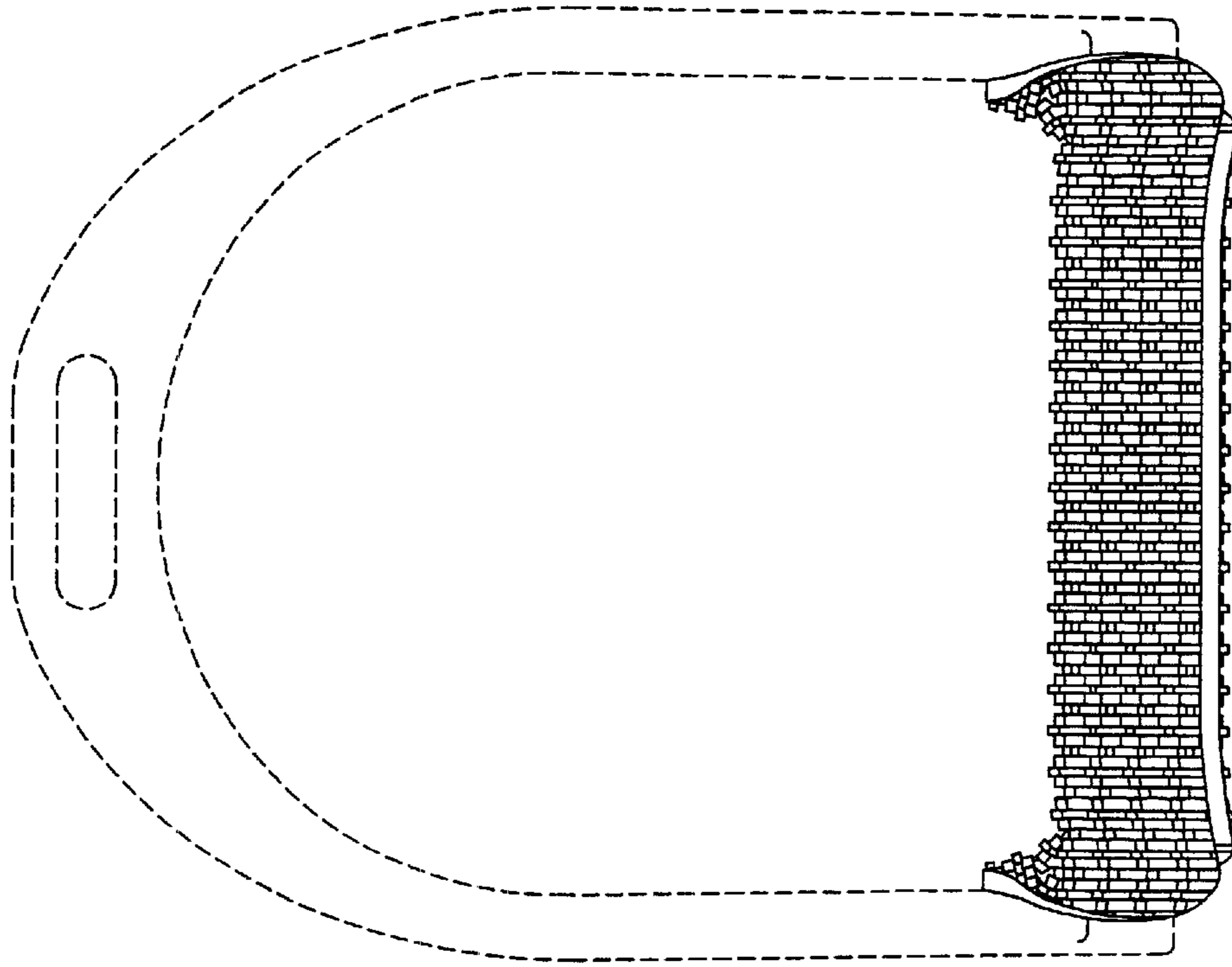


FIG. 17

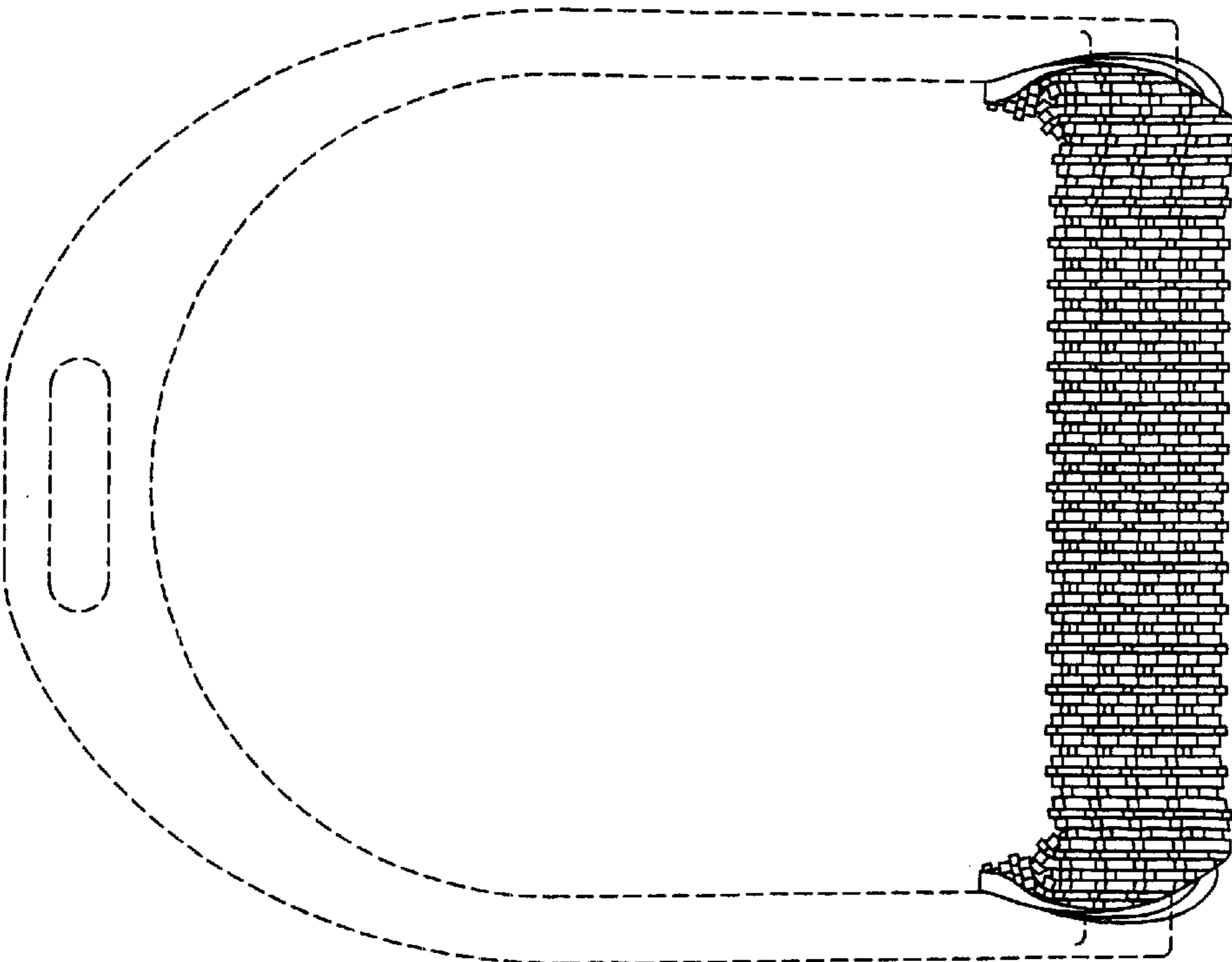


FIG. 16

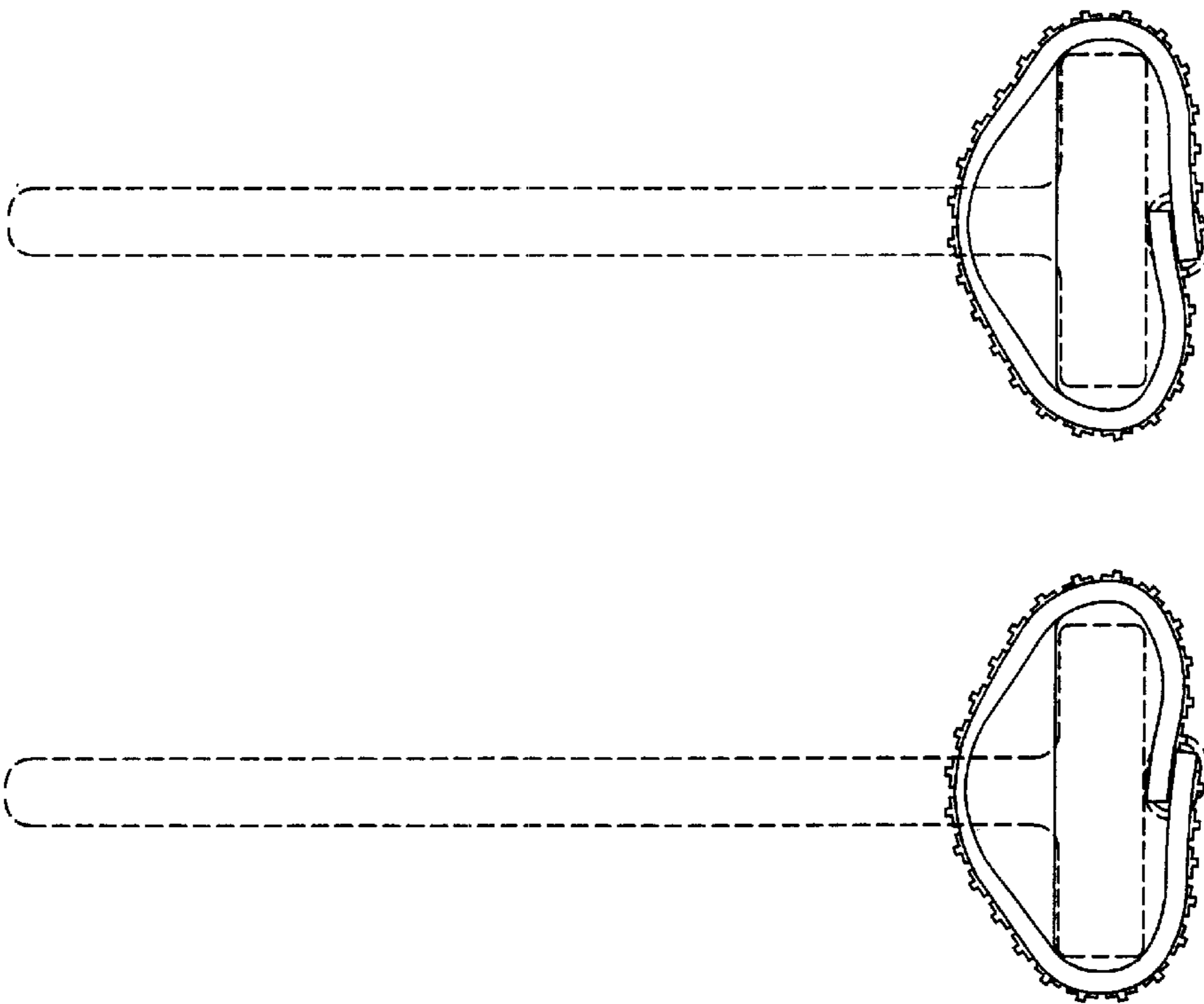


FIG. 18

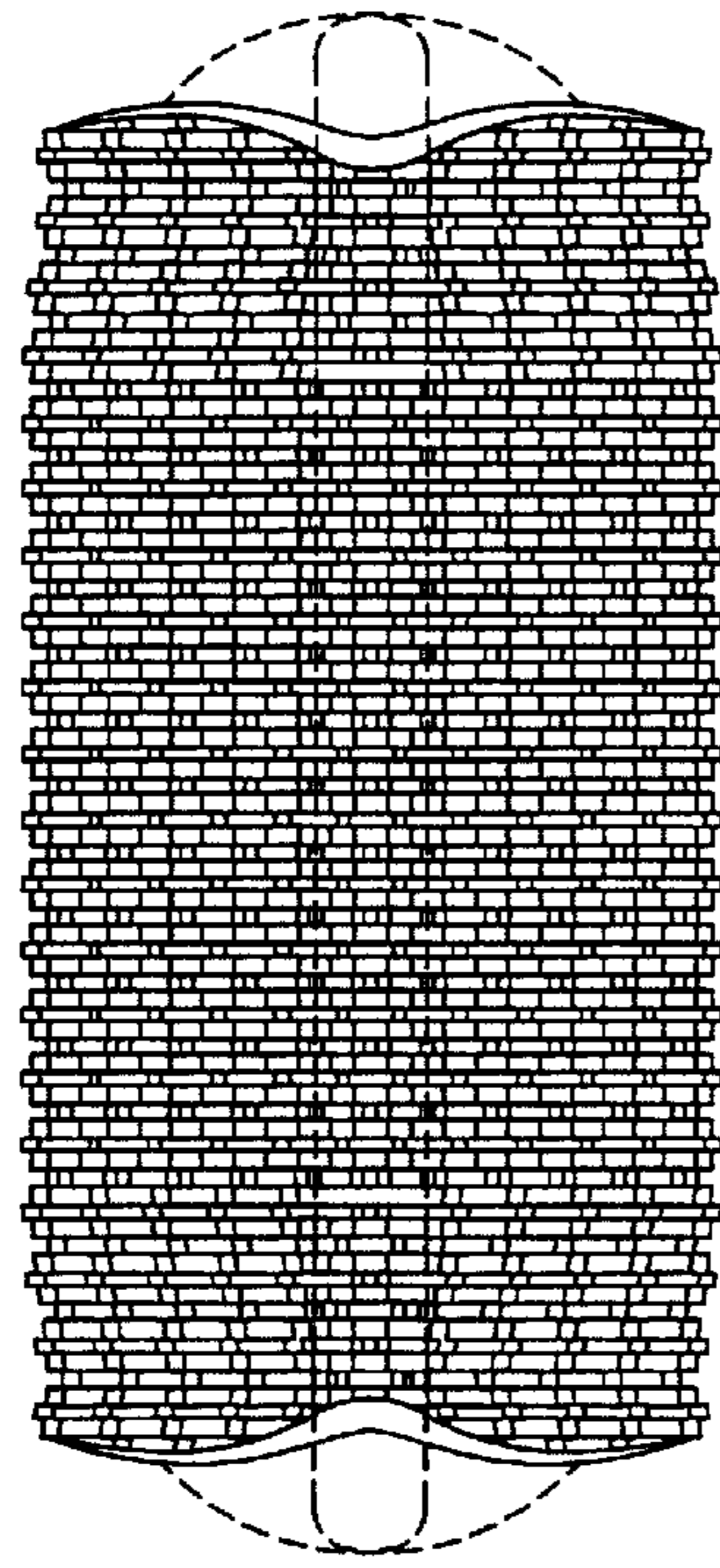


FIG. 20

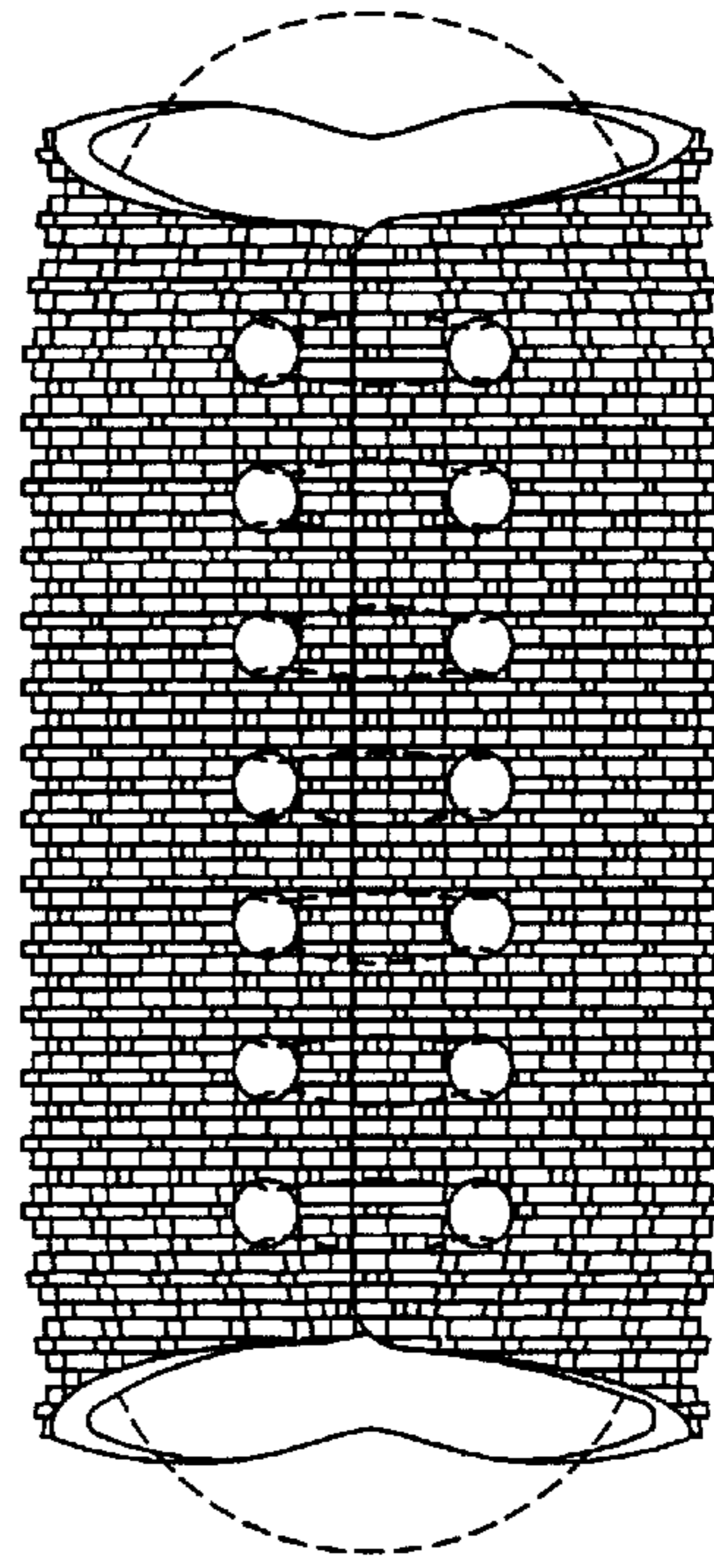


FIG. 21