



US00D461600S

(12) **United States Design Patent**  
**Domanski et al.**

(10) **Patent No.:** **US D461,600 S**

(45) **Date of Patent:** **\*\* Aug. 13, 2002**

(54) **WRIST SUPPORT WITH RING AND STRAP FASTENING SYSTEM**

D367,731 S \* 3/1996 Estwanik ..... D29/117  
D392,072 S \* 3/1998 Levine ..... D29/120  
D441,082 S \* 4/2001 Ruscitti ..... D24/190

(76) Inventors: **Edward M. Domanski**, 1143 Nature Run Rd., Batavia, OH (US) 45103; **Sherry A. Hinds**, 1760 Liberty Woods Dr., Goshen, OH (US) 45122; **Richard G. Taylor**, 776 Deer Valley Dr., Cincinnati, OH (US) 45245

\* cited by examiner

*Primary Examiner*—Louis S. Zarfaz  
*Assistant Examiner*—Robert A. Delehanty  
(74) *Attorney, Agent, or Firm*—Norris McLaughlin & Marcus

(\*\*) Term: **14 Years**

(57) **CLAIM**

(21) Appl. No.: **29/130,067**

The ornamental design for a wrist support with ring and strap fastening system, as shown and described.

(22) Filed: **Sep. 27, 2000**

**DESCRIPTION**

(51) **LOC (7) Cl.** ..... **29-02**

(52) **U.S. Cl.** ..... **D29/113**

(58) **Field of Search** ..... D2/610, 615-623; D29/113-118, 120.1, 122, 123; D24/190; 2/16-18, 20, 159-161.6, 162, 170, 910, 907, 917

FIG. 1 is a top view of the wrist brace.  
FIG. 2 is a combined bottom and thumb side view of the wrist brace.  
FIG. 3 is view of the side of the wrist brace opposite the thumb side; and,  
FIG. 4 is a combined top and thumb side view of the wrist brace with the center strap unsecured.

(56) **References Cited**

**U.S. PATENT DOCUMENTS**

4,441,711 A \* 4/1984 Dubar et al. .... 2/170 X  
D279,140 S \* 6/1985 Paulson ..... D29/113  
D280,569 S \* 9/1985 Paulson ..... D29/113  
D295,897 S \* 5/1988 Thimm-Kelly ..... D24/190  
5,058,576 A \* 10/1991 Grim et al. .... D24/190 X  
5,353,440 A \* 10/1994 Meldeau ..... 2/161.1

A characteristic feature of the claimed invention is that the sleeve portion of the wrist brace is comprised of two different types of material, which, thus, have a different ornamental appearance.

The broken line showing of a hand is for illustrative purposes only and forms no part of the claimed design.

**1 Claim, 3 Drawing Sheets**

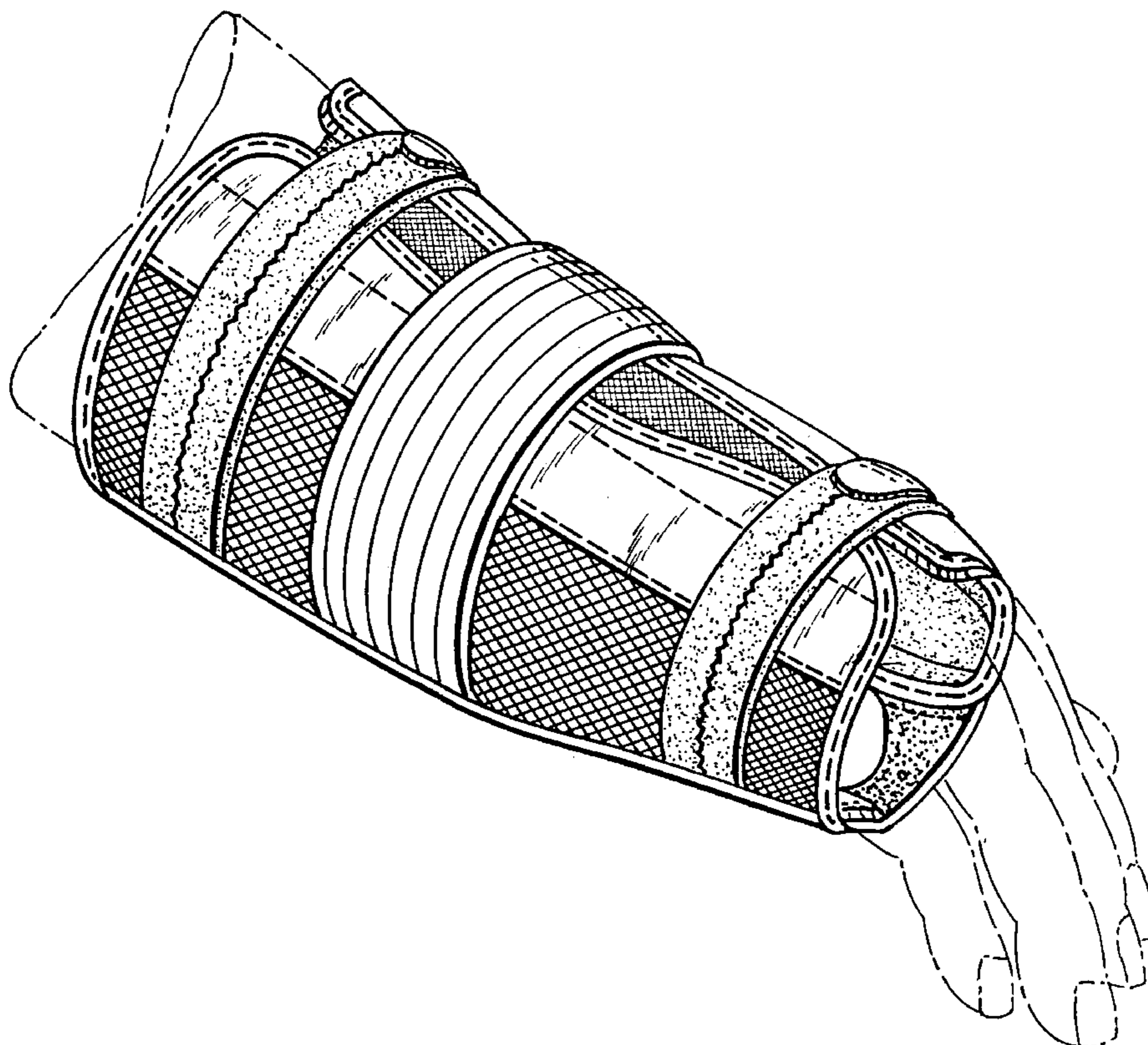


FIG.1

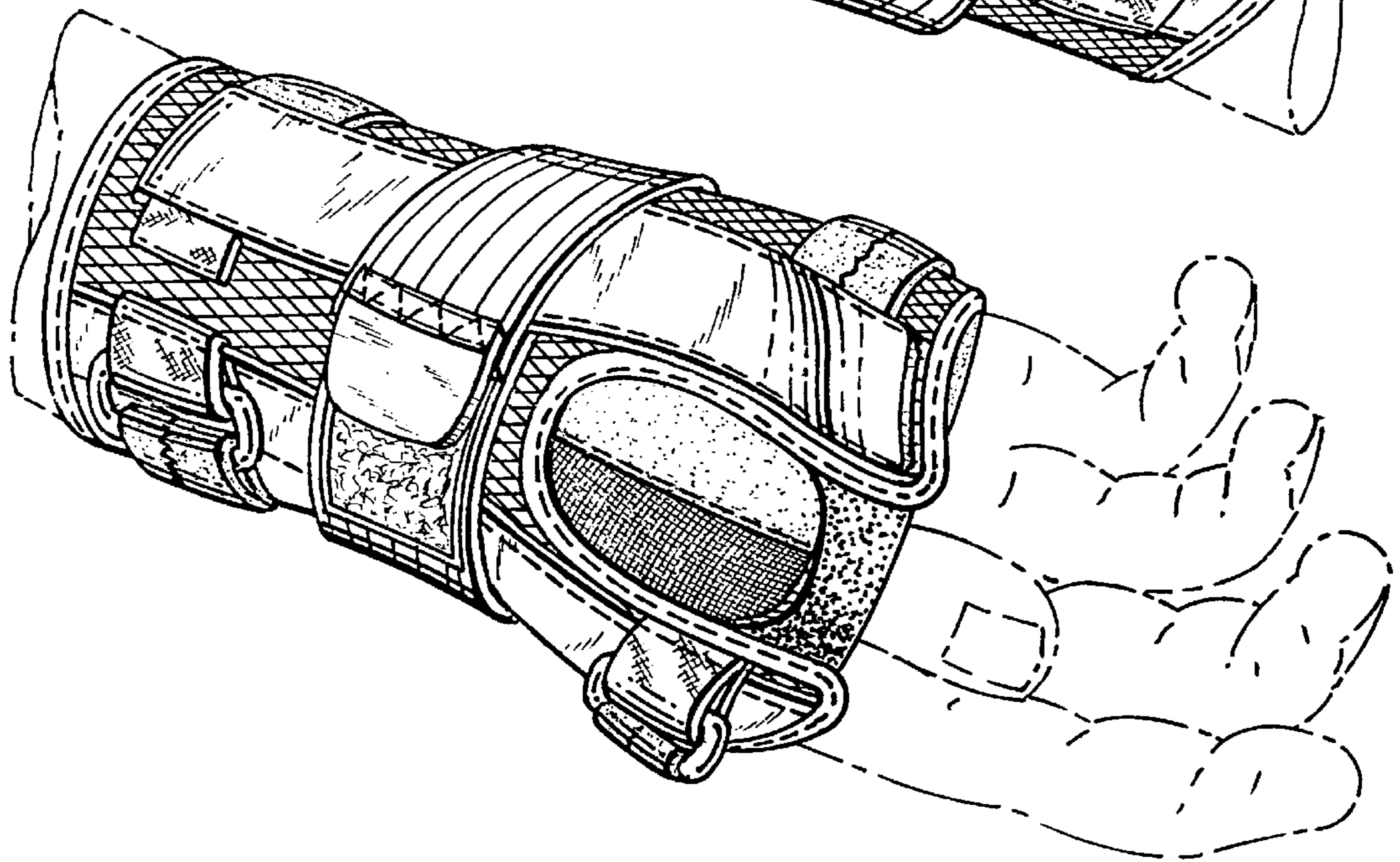
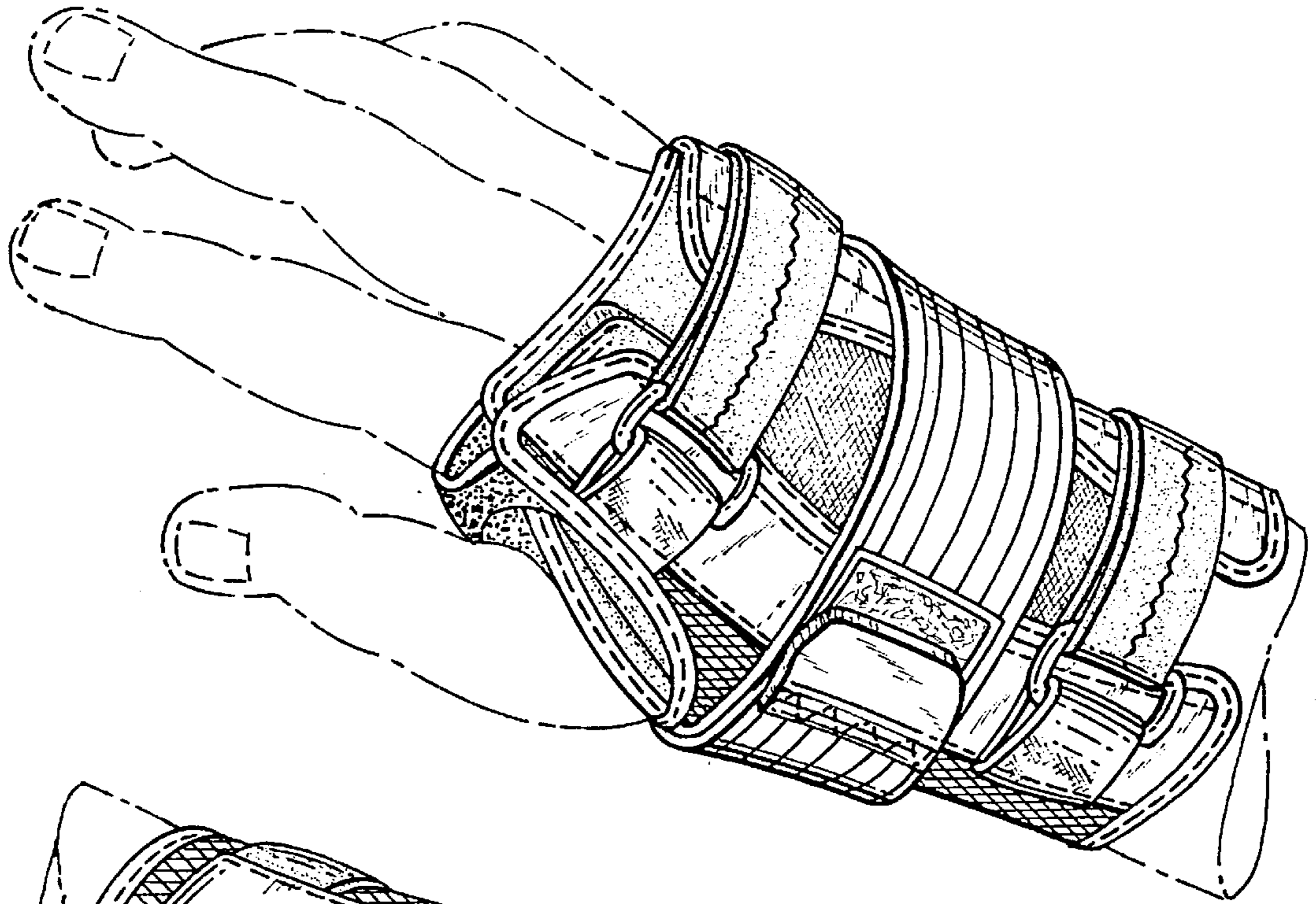


FIG.2



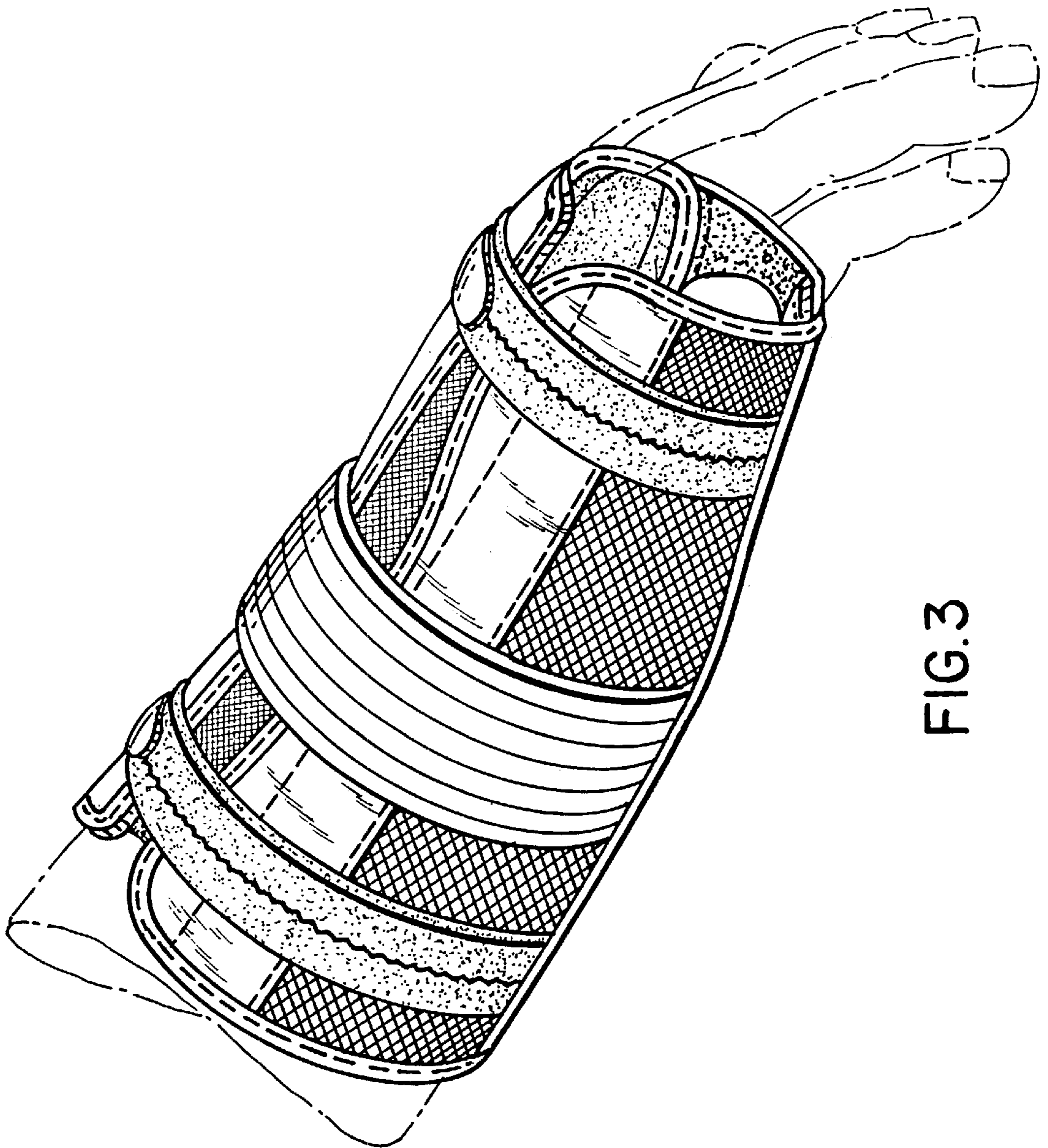


FIG. 3

FIG. 4

