



US00D461592S

(12) **United States Design Patent** (10) **Patent No.:** **US D461,592 S**
De'Armond et al. (45) **Date of Patent:** **** Aug. 13, 2002**

(54) **LAMP SUPPORT ARM**

(75) Inventors: **Robert De'Armond**, Temecula, CA (US); **Tammy Harper Williams**, Yorba Linda, CA (US)

(73) Assignee: **Minka Lighting, Inc.**, Corona, CA (US)

(**) Term: **14 Years**

(21) Appl. No.: **29/148,157**

(22) Filed: **Sep. 13, 2001**

(51) **LOC (7) Cl.** **26-99**

(52) **U.S. Cl.** **D26/155**

(58) **Field of Search** D26/92, 113, 138, D26/141, 142, 145-151, 155, 84; 362/147, 404-409, 432

(56) **References Cited**

U.S. PATENT DOCUMENTS

- D406,385 S * 3/1999 Davis, Jr. D26/145
- D427,721 S * 7/2000 De'Armond D26/155
- D447,595 S * 9/2001 Bandini D26/155

OTHER PUBLICATIONS

- U.S. patent application Ser. No. 29/148,158, De'Armond et al., filed Sep. 13, 2001.
- U.S. patent application Ser. No. 29/148,159, De'Armond et al., filed Sep. 13, 2001.

Minka Lighting, Inc.; The Great Outdoors by Minka-Lavery Two Thousand One; Jun. 18, 2001; pp. 6, 7; Minka Lighting, Inc.; U.S.A.

* cited by examiner

Primary Examiner—Jennifer Rivard

(74) *Attorney, Agent, or Firm*—Jenkins & Gilchrist, P.C.

(57) **CLAIM**

The ornamental design for the lamp support arm, as shown and described.

DESCRIPTION

FIG. 1 is a side elevation view of the lamp support arm in accordance with my design, illustrating a possible environment for the support arm;

FIG. 2 is a top plan view of the lamp support arm in accordance with my design;

FIG. 3 is a rear elevation view of the lamp support arm in accordance with my design;

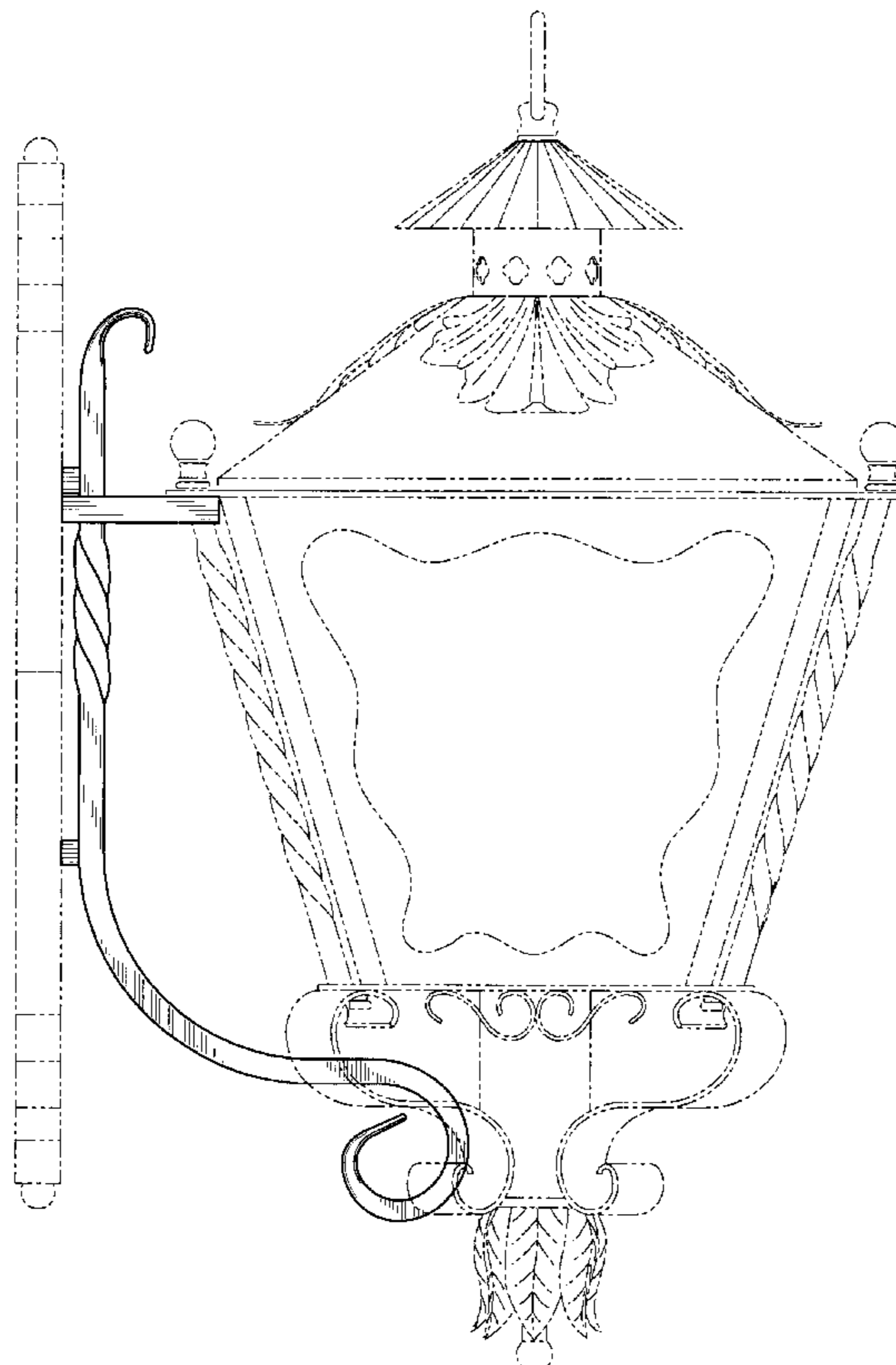
FIG. 4 is a side elevation view of the lamp support arm in accordance with my design;

FIG. 5 is a front elevation view of the lamp support arm in accordance with my design; and,

FIG. 6 is a bottom plan view of the lamp support arm in accordance with my design.

The right and left elevation views are mirror images. The broken lines showing environmental structure are for illustrative purposes only and form no part of the claimed design.

1 Claim, 2 Drawing Sheets



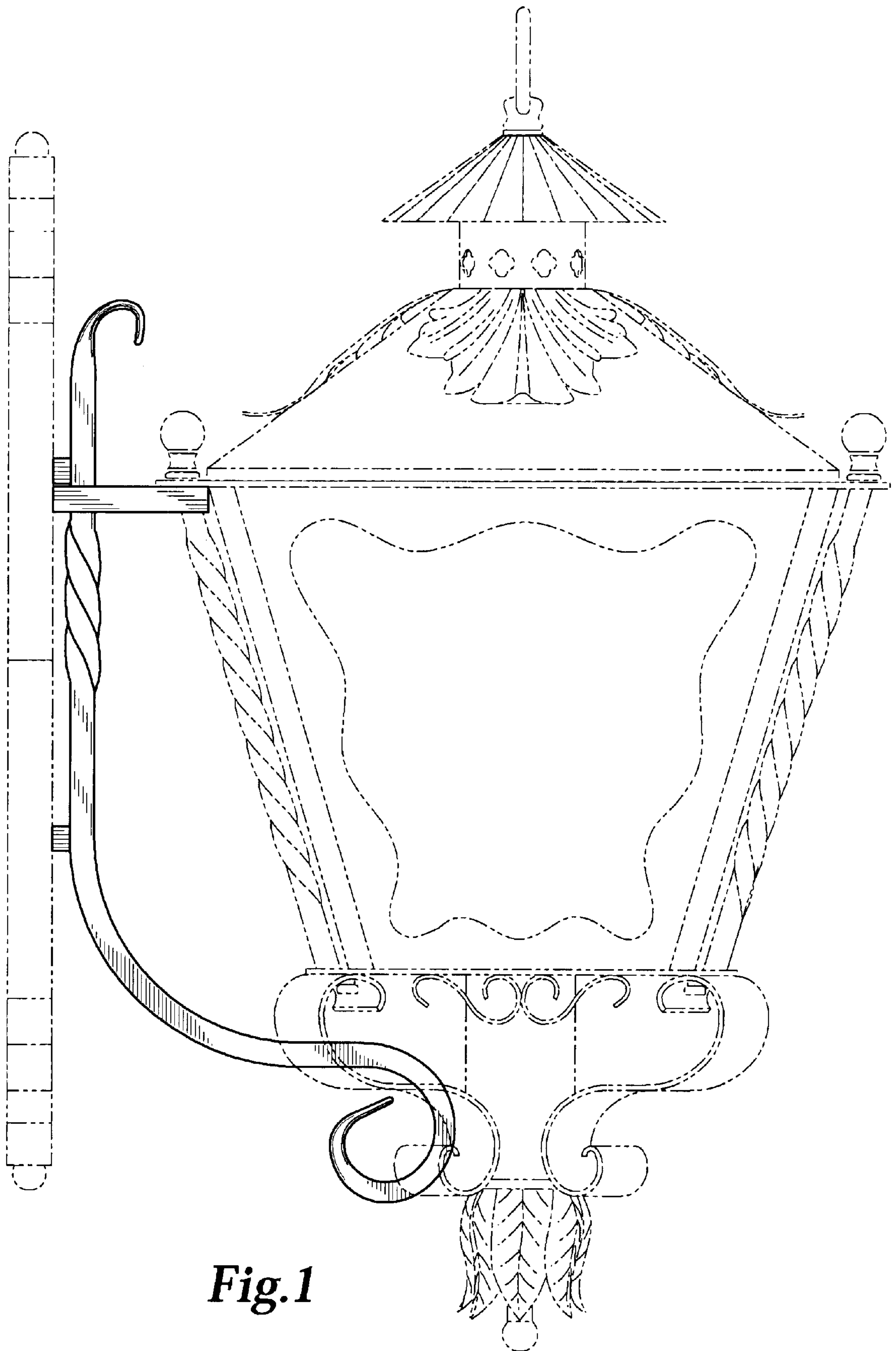


Fig. 1

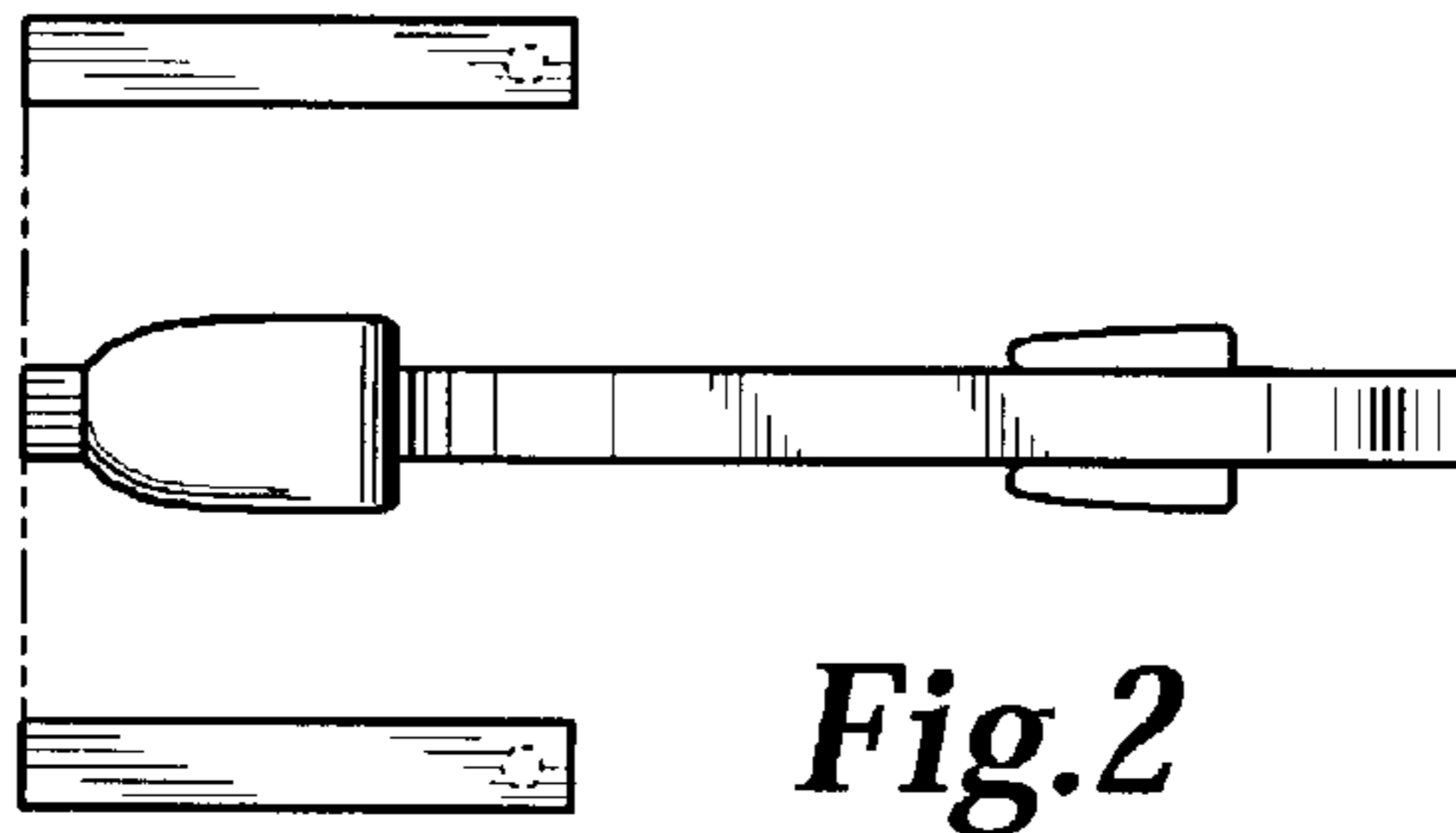


Fig. 2

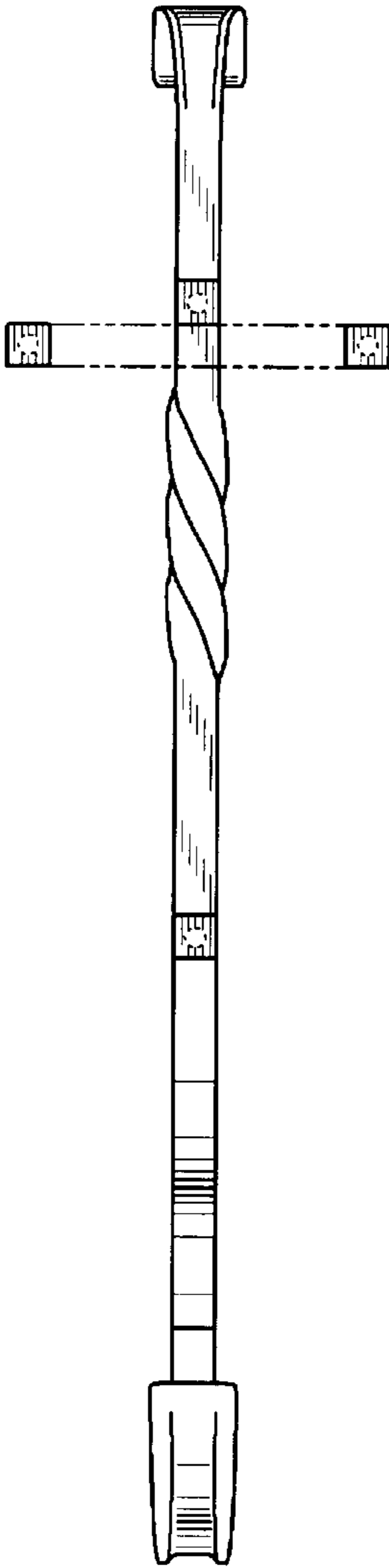


Fig. 3

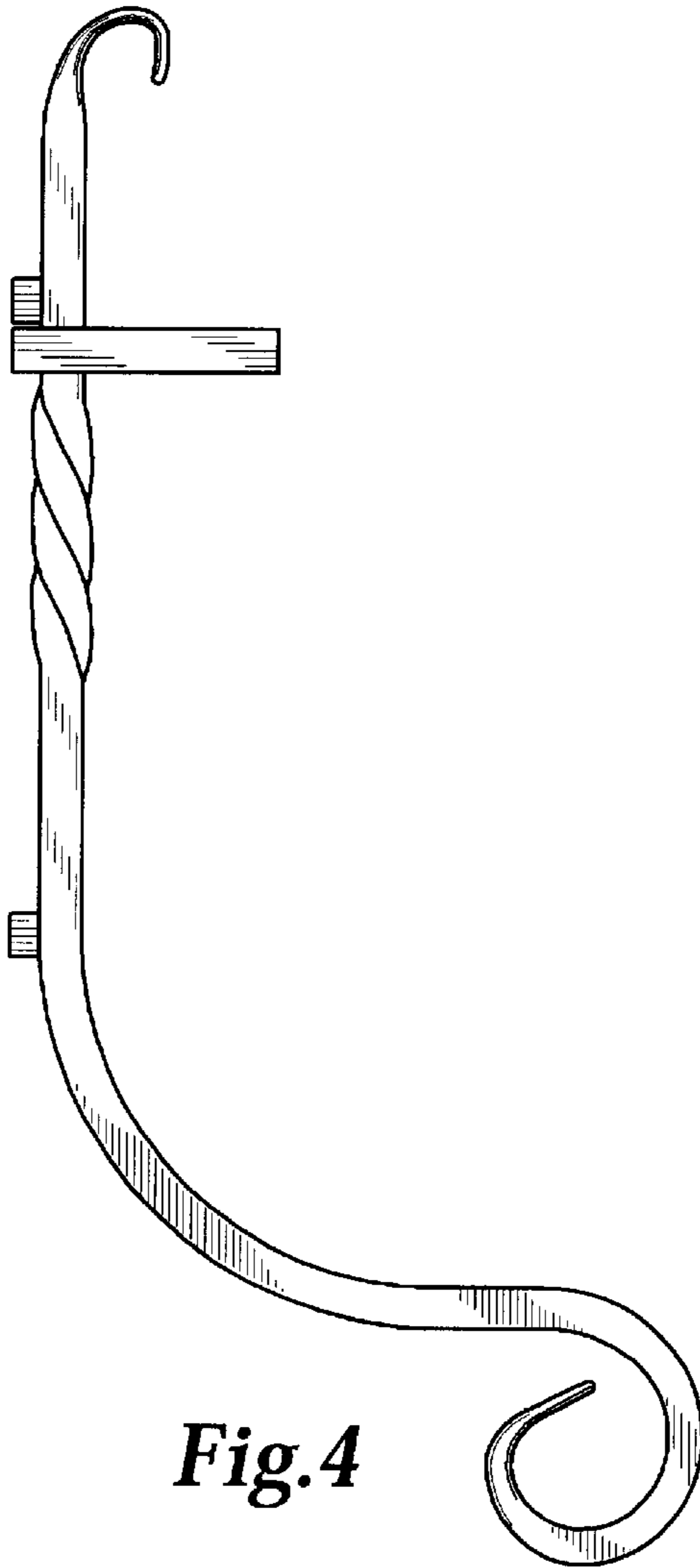


Fig. 4

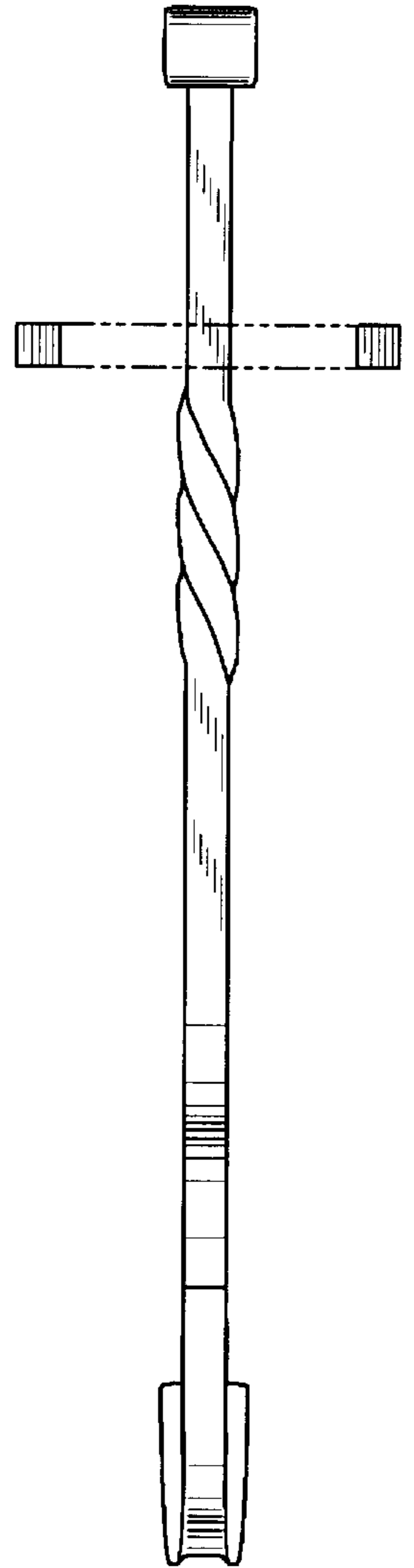


Fig. 5

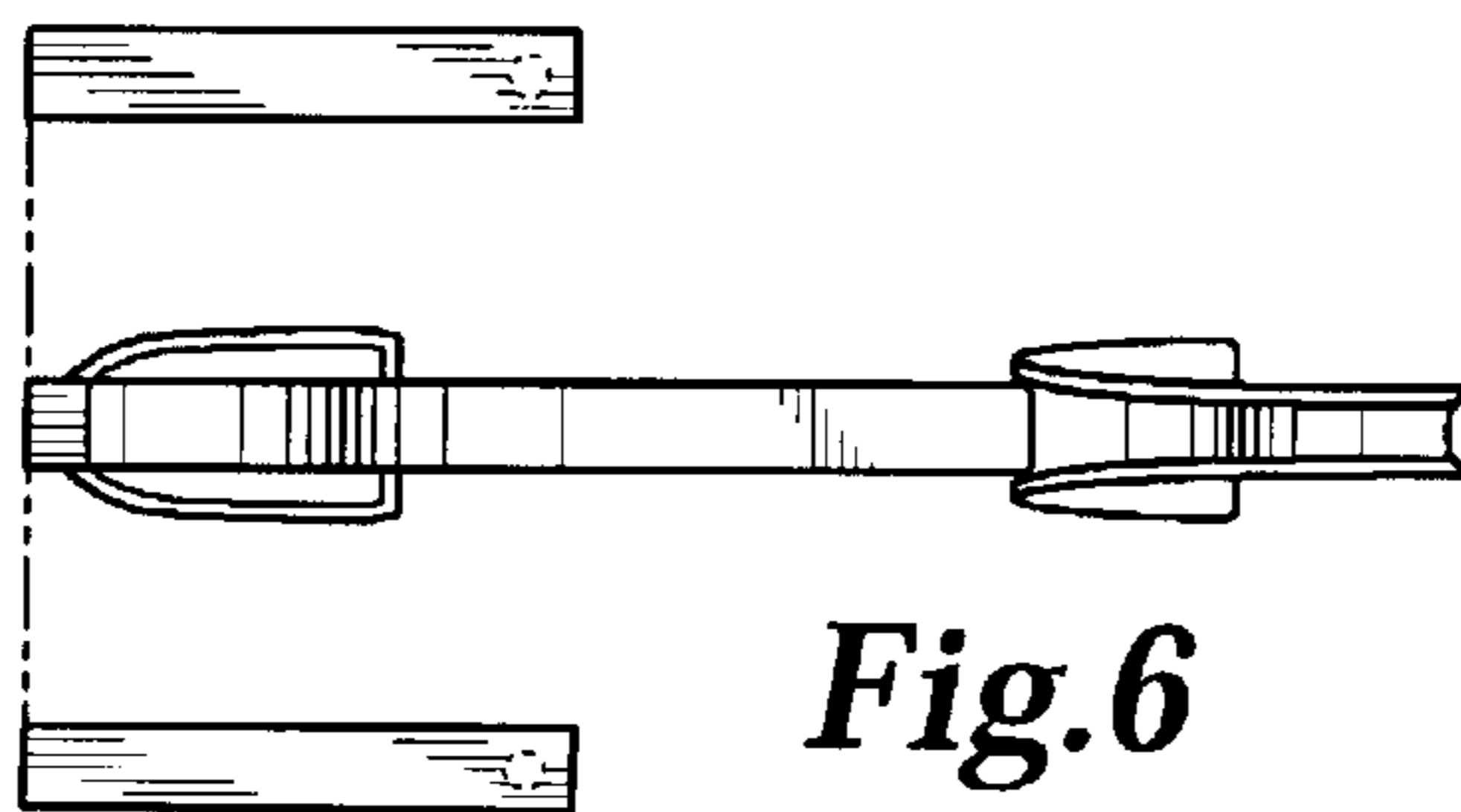


Fig. 6