



US00D461591S

(12) **United States Design Patent**  
**De'Armond**

(10) **Patent No.:** **US D461,591 S**

(45) **Date of Patent:** **\*\* Aug. 13, 2002**

(54) **LAMP SUPPORT ARM**

(75) **Inventor:** **Robert De'Armond**, Temecula, CA  
(US)

(73) **Assignee:** **Minka Lighting, Inc.**, Corona, CA  
(US)

(\*\*) **Term:** **14 Years**

(21) **Appl. No.:** **29/147,274**

(22) **Filed:** **Aug. 24, 2001**

(51) **LOC (7) Cl.** ..... **26-99**

(52) **U.S. Cl.** ..... **D26/155**

(58) **Field of Search** ..... D26/138, 141,  
D26/142, 145-151, 155, 113, 92; 362/432,  
147, 404-409

(56) **References Cited**

**U.S. PATENT DOCUMENTS**

D426,672 S	*	6/2000	De'Armond	.....	D26/155
D427,721 S	*	7/2000	De'Armond	.....	D26/155
D443,102 S	*	5/2001	Wang	.....	D26/155

**OTHER PUBLICATIONS**

Item #NL-14, National Lighting Supply.\*  
U.S. patent application Ser. No. 29/147,276, Robert  
De'Armond, filed Aug. 24, 2001.  
U.S. patent application Ser. No. 29/147,275, Robert  
De'Armond, filed Aug. 24, 2001.

Minka Lighting, Inc.; The Great Outdoors by Minka-Lavery  
Two Thousand; Jun. 21, 2001; pp. 5, 6, 7, 32, 33; Minka  
Lighting, Inc.; U.S.A.

Minka Lighting, Inc.; The Great Outdoors; Jan. 29, 1999;  
pp. 4, 5; Minka Lighting, Inc.; U.S.A.

\* cited by examiner

*Primary Examiner*—Jennifer Rivard

(74) *Attorney, Agent, or Firm*—Jenkins & Gilchrist, P.C.

(57) **CLAIM**

The ornamental design for the lamp support arm, as shown  
and described.

**DESCRIPTION**

FIG. 1 is a side elevation view of the lamp support arm in  
accordance with my design, illustrating the lamp and back-  
plate as environment for the support arm;

FIG. 2 is a top plan view of the lamp support arm in  
accordance with my design;

FIG. 3 is a rear elevation view of the lamp support arm in  
accordance with my design;

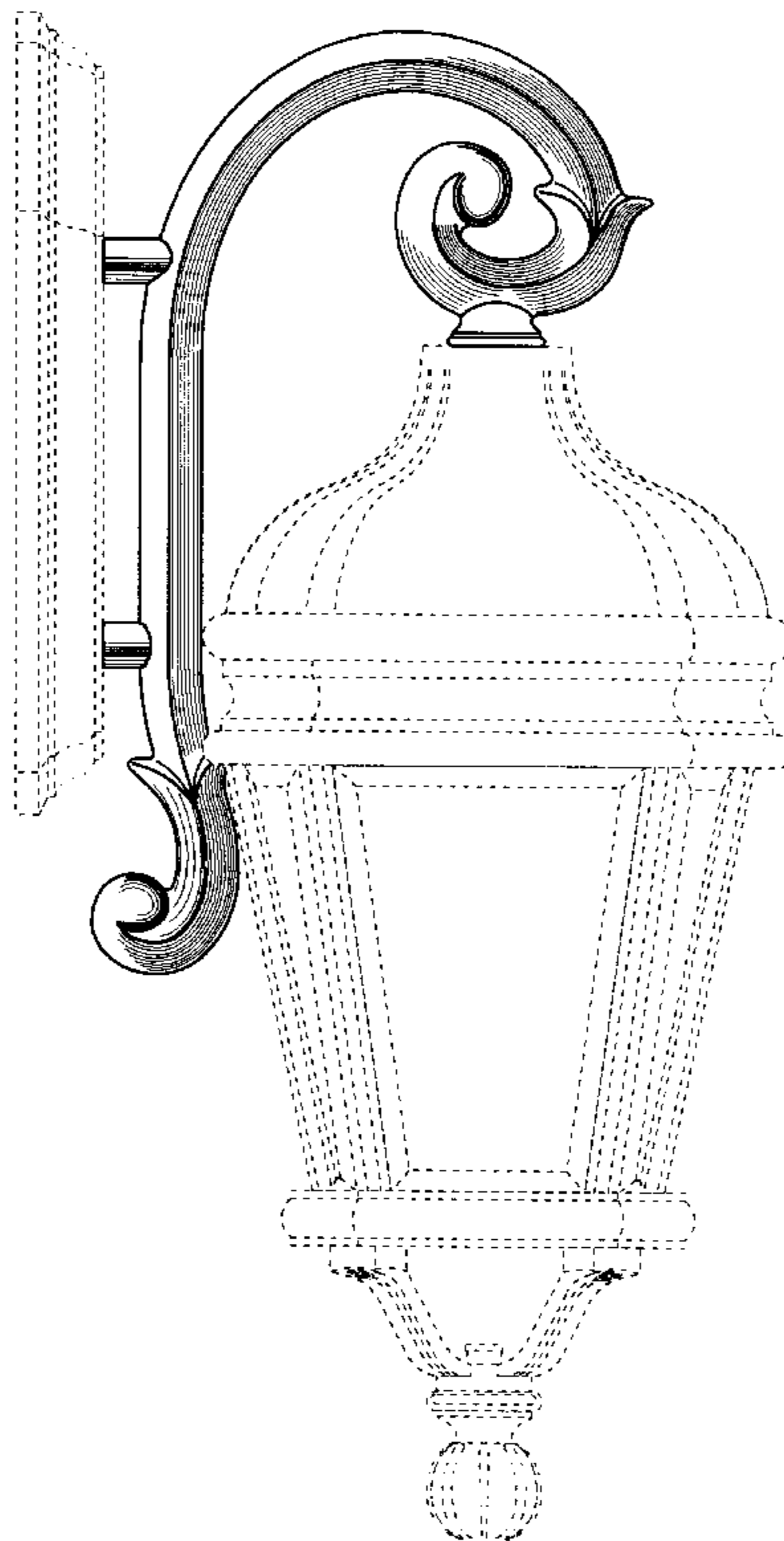
FIG. 4 is a side elevation view of the lamp support arm in  
accordance with my design;

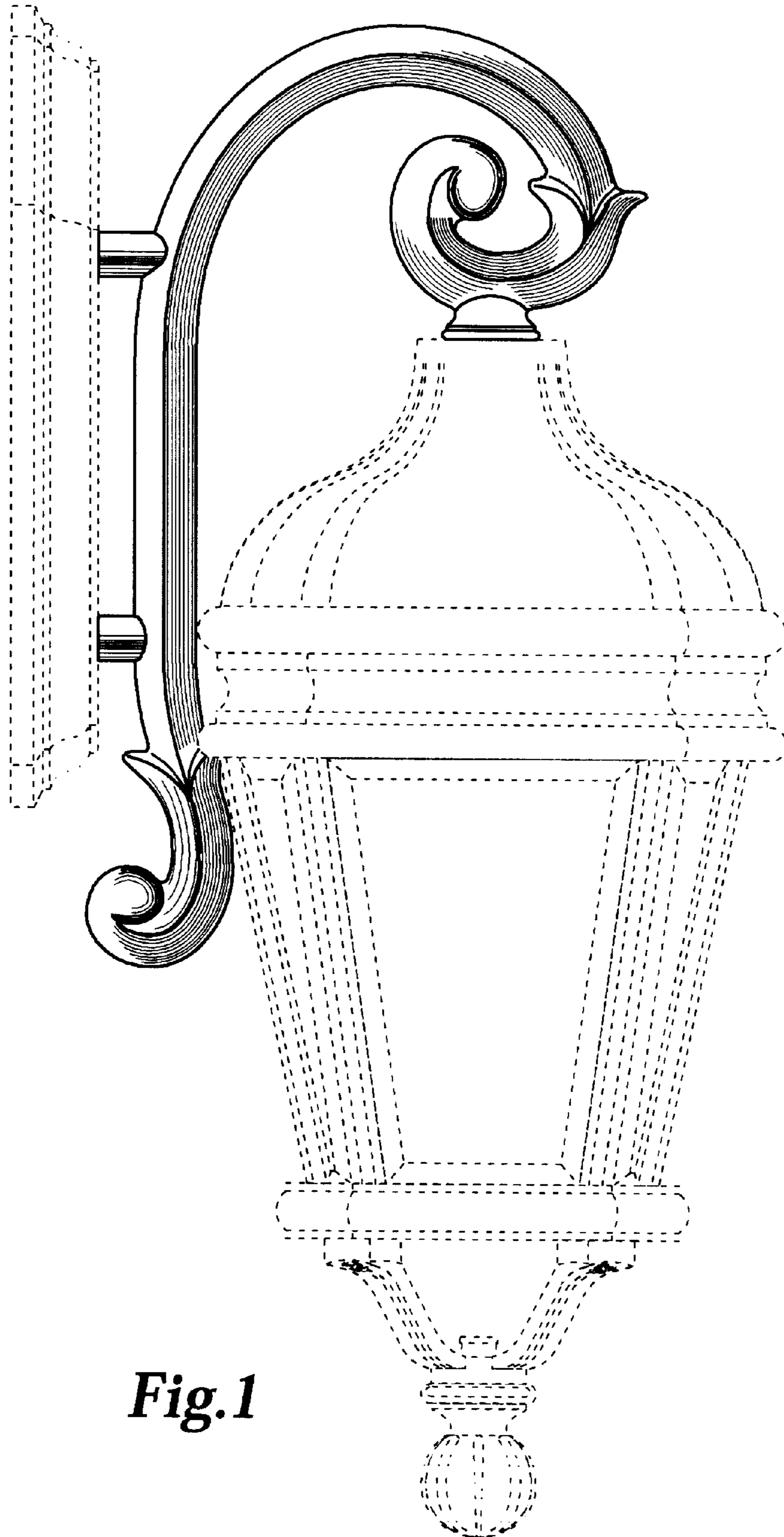
FIG. 5 is a front elevation view of the lamp support arm in  
accordance with my design; and,

FIG. 6 is a bottom plan view of the lamp support arm in  
accordance with my design.

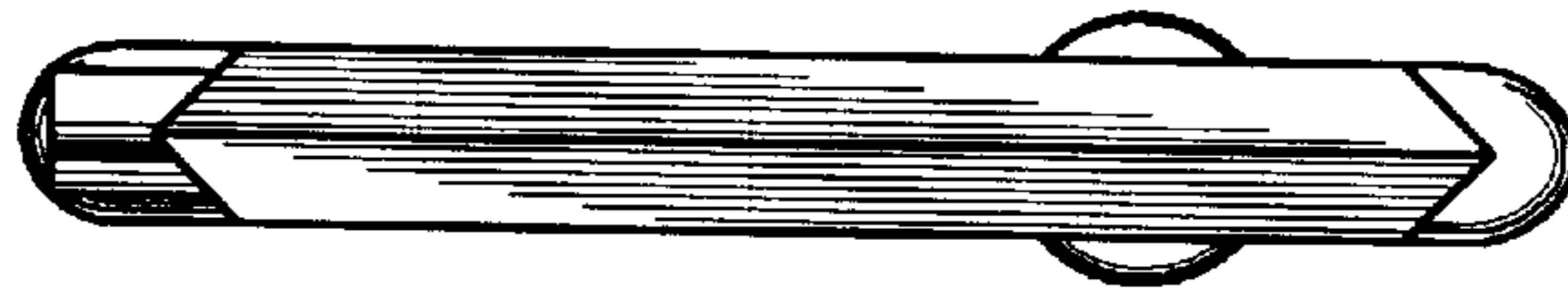
The right and left elevation views are symmetrical. The  
broken lines showing environmental structure are for illus-  
trative purposes only and form no part of the claimed design.

**1 Claim, 2 Drawing Sheets**

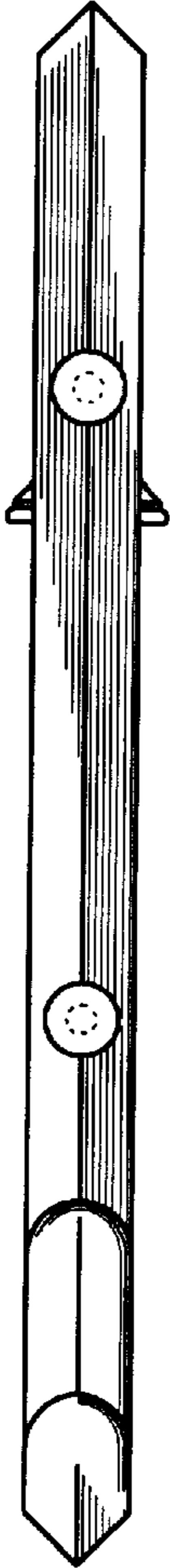




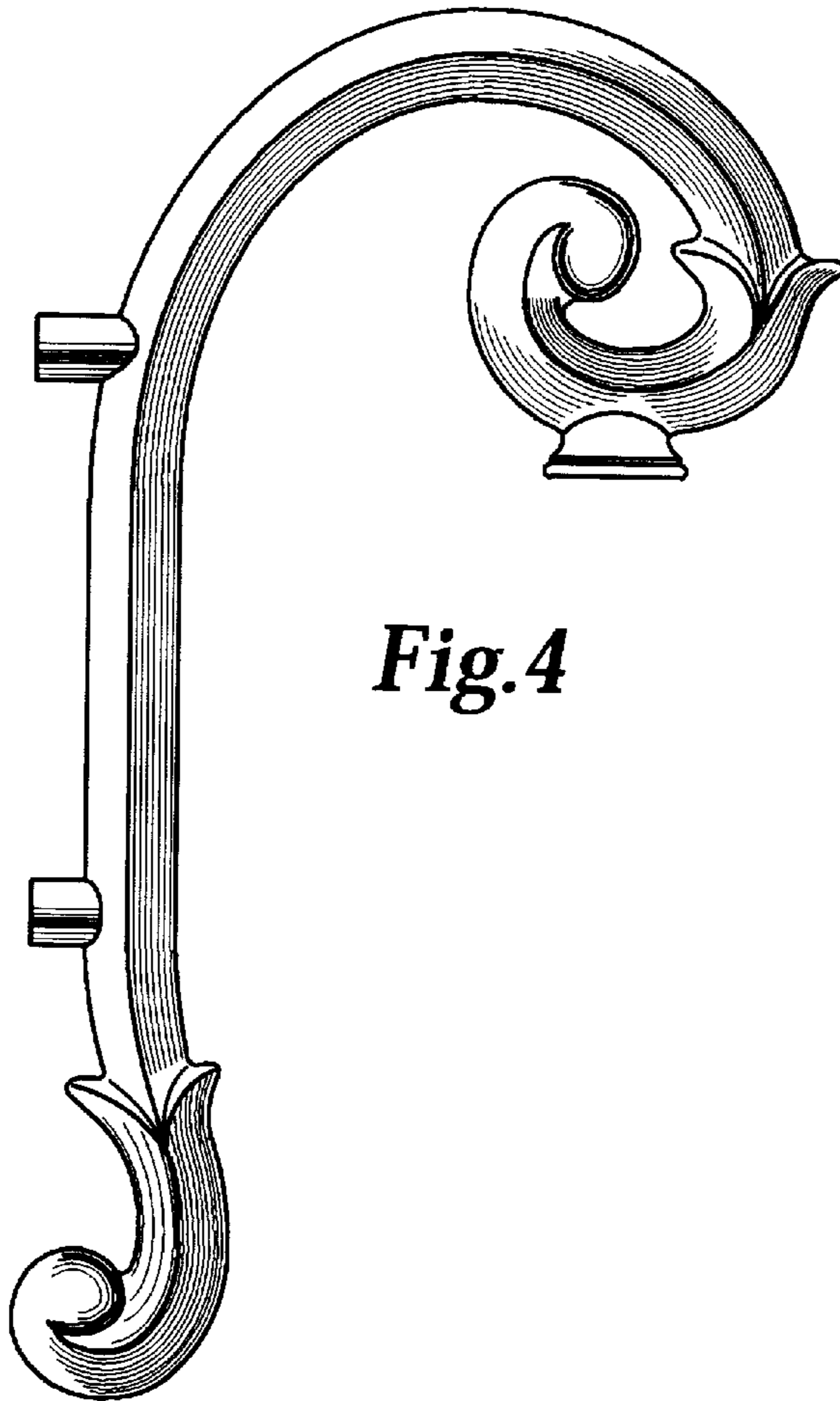
**Fig. 1**



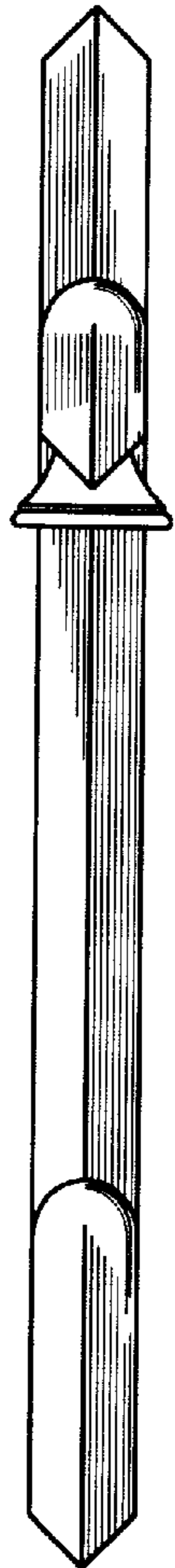
*Fig. 2*



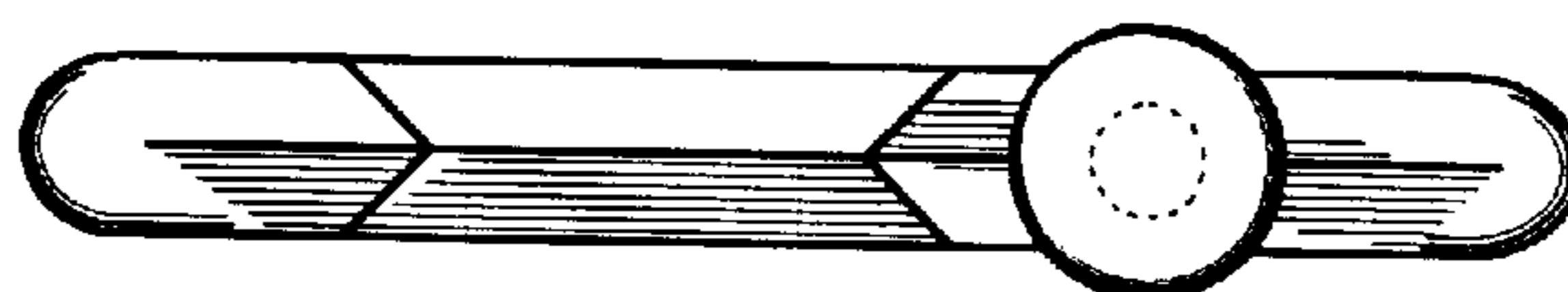
*Fig. 3*



*Fig. 4*



*Fig. 5*



*Fig. 6*