



US00D461588S

(12) **United States Design Patent** (10) **Patent No.:** **US D461,588 S**  
**De'Armond** (45) **Date of Patent:** **\*\* Aug. 13, 2002**

- (54) **HANGING RODS UNIT FOR LAMP**
- (75) Inventor: **Robert De'Armond**, Temecula, CA (US)
- (73) Assignee: **Minka Lighting, Inc.**, Corona, CA (US)
- (\*\*) Term: **14 Years**
- (21) Appl. No.: **29/148,517**
- (22) Filed: **Sep. 20, 2001**
- (51) **LOC (7) Cl.** ..... **26-99**
- (52) **U.S. Cl.** ..... **D26/142**
- (58) **Field of Search** ..... D26/113, 92, 138, D26/141, 145-151, 155, 84, 142, 88; 362/147, 432, 404-409

(56) **References Cited**

**U.S. PATENT DOCUMENTS**

- D403,459 S \* 12/1998 Dolan ..... D26/88
- D431,089 S \* 9/2000 Dolan ..... D26/142

**OTHER PUBLICATIONS**

- Item #7201/6, Elk Lighting Catalog, Jun. 15, 1992.\*
- U.S. patent application Ser. No. 29/148,527, Robert De'Armond, filed Sep. 20, 2001.
- U.S. patent application Ser. No. 29/148,515, Robert De'Armond, filed Sep. 20, 2001.
- U.S. patent application Ser. No. 29/148,516, Robert De'Armond, filed Sep. 20, 2001.

Minka Lighting, Inc.; The Great Outdoors by Minka-Lavery Two Thousand One; Jun. 18, 2001; pp. 28, 29; Minka Lighting, Inc.; U.S.A.

\* cited by examiner

*Primary Examiner*—Jennifer Rivard

(74) *Attorney, Agent, or Firm*—Jenkins & Gilchrist, P.C.

(57) **CLAIM**

The ornamental design for the hanging rods unit for lamp, as shown and described.

**DESCRIPTION**

FIG. 1 is a side elevation view of the hanging rods unit for lamp in accordance with my design, illustrating a lamp and a backplate and a support arm as possible environments for the hanging rods unit;

FIG. 2 is a top plan view of the hanging rods unit for lamp in accordance with my design;

FIG. 3 is a side elevation view of the hanging rods unit for lamp in accordance with my design;

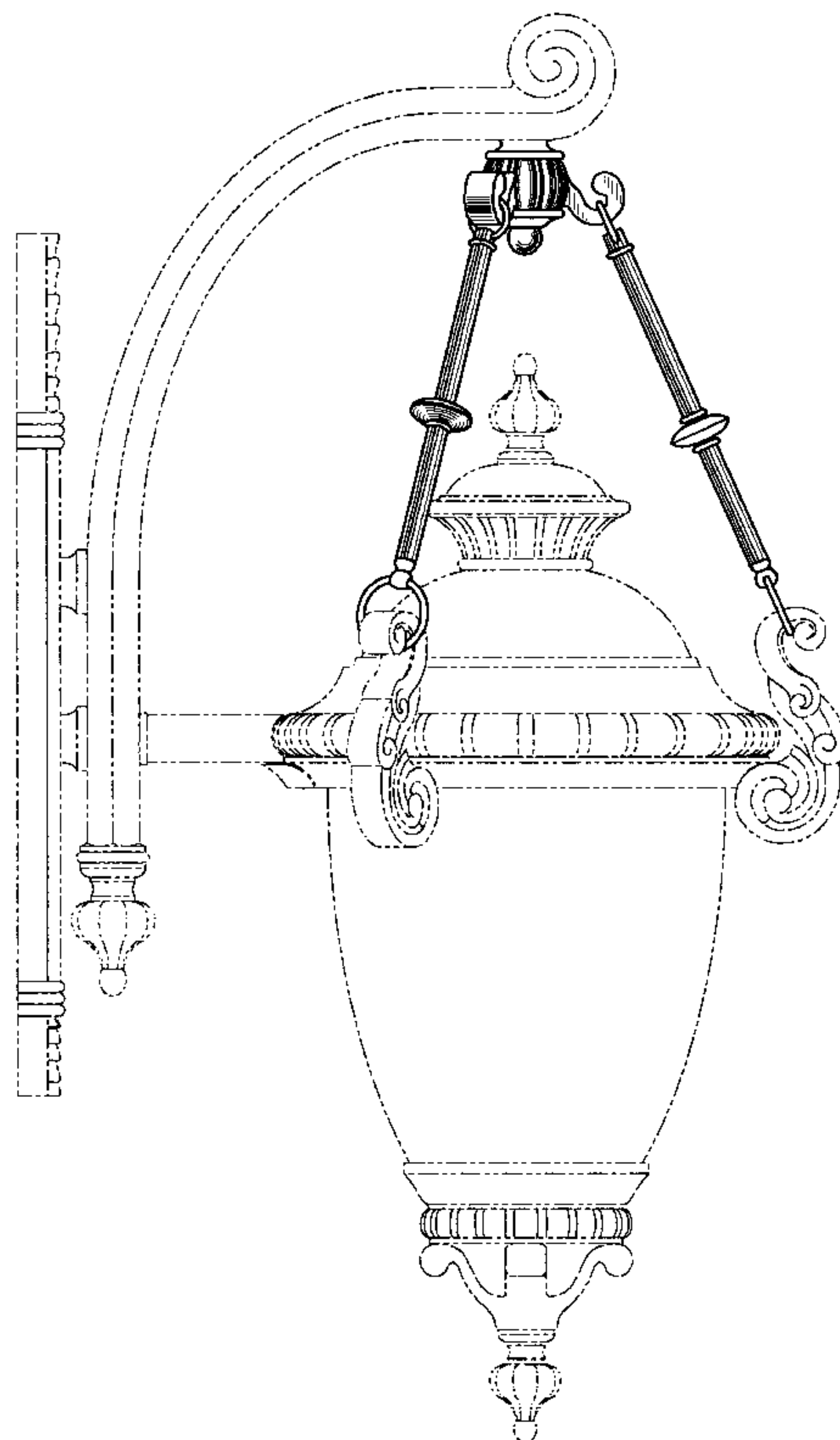
FIG. 4 is a bottom plan view of the hanging rods unit for lamp in accordance with my design;

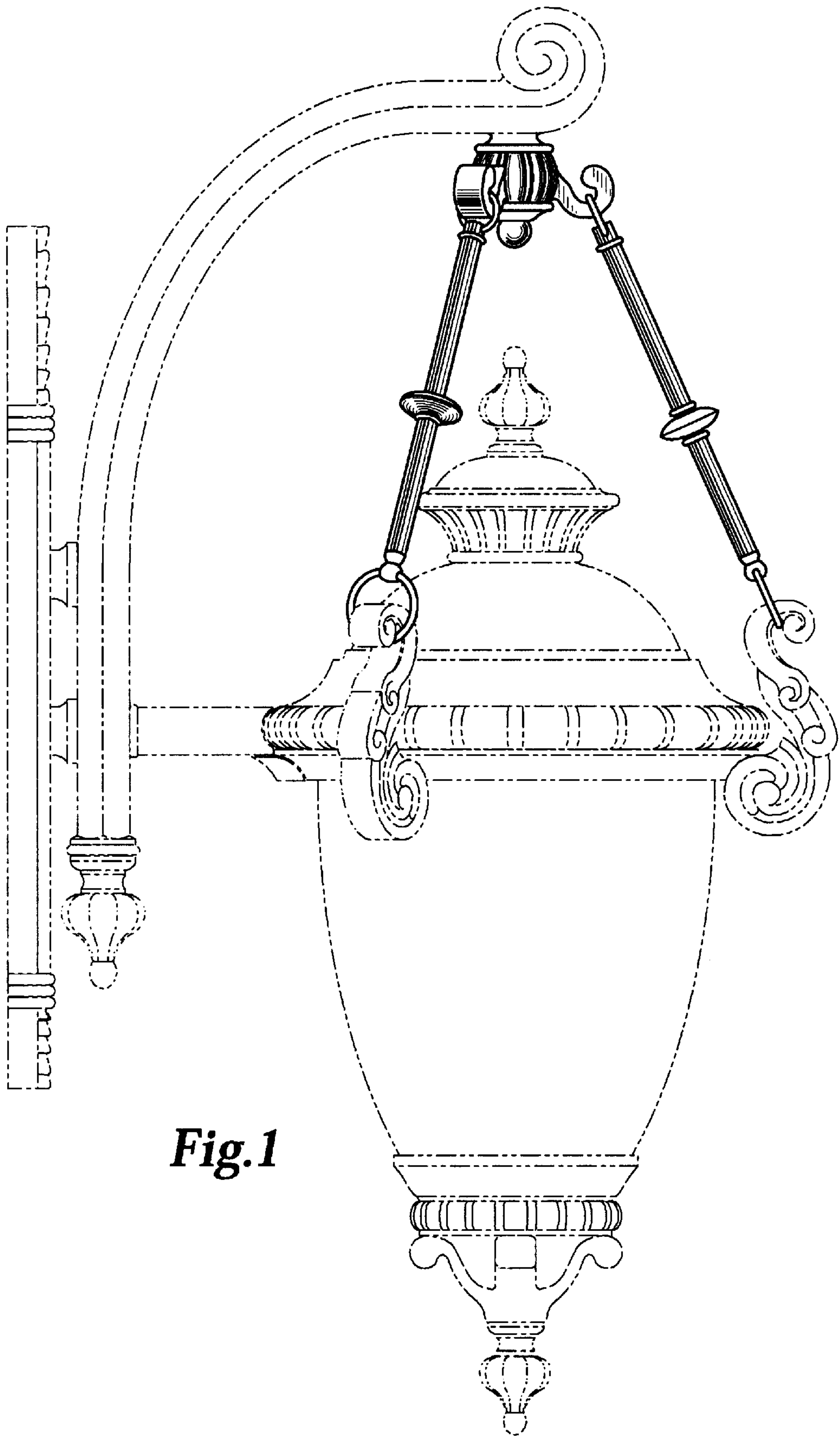
FIG. 5 is a front elevation view of the hanging rods unit for lamp in accordance with my design; and,

FIG. 6 is a rear elevation view of the hanging rods unit for lamp in accordance with my design.

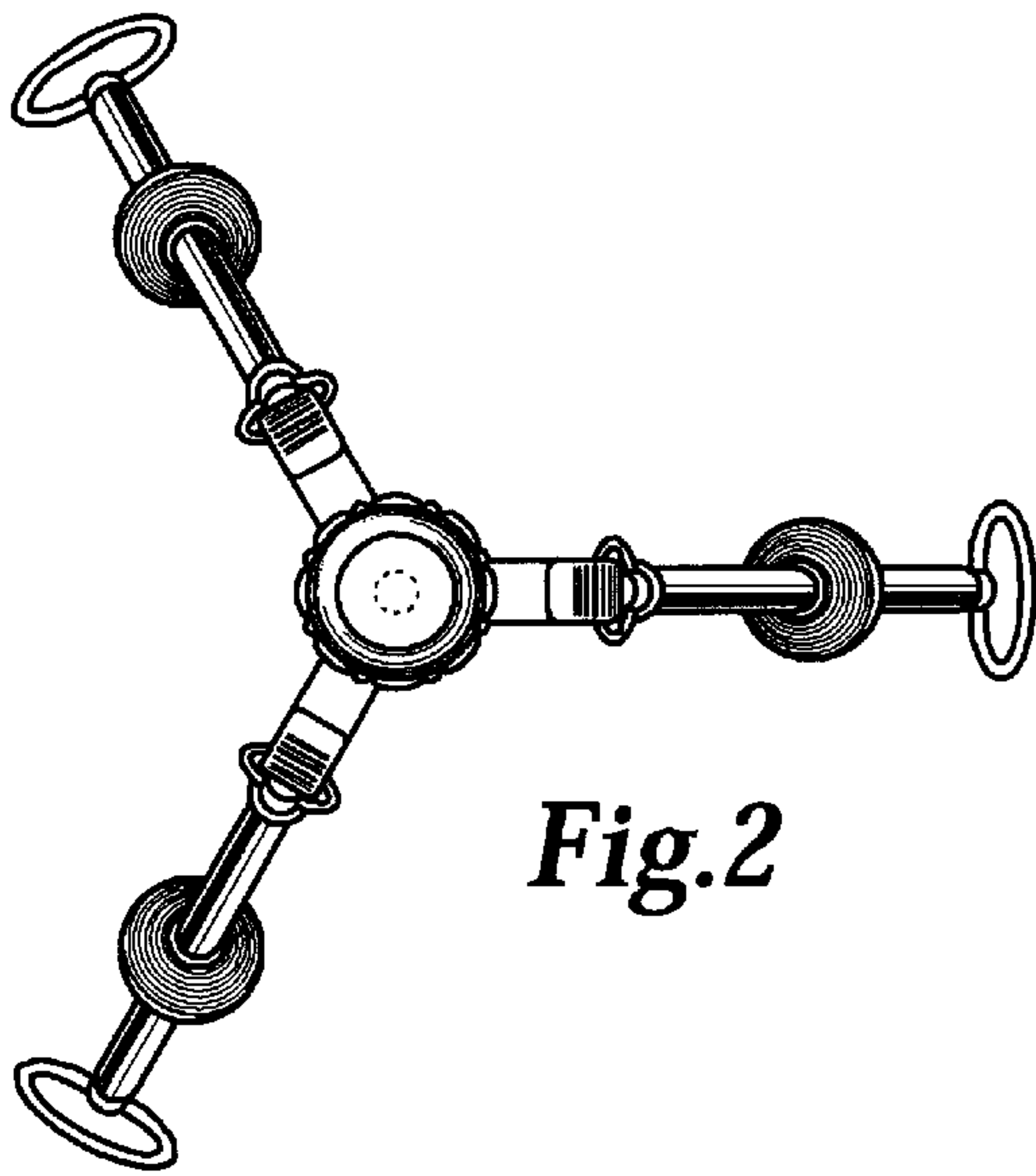
The right and left elevation views are symmetrical. The broken lines showing environmental structure are for illustrative purposes only and form no part of the claimed design.

**1 Claim, 2 Drawing Sheets**

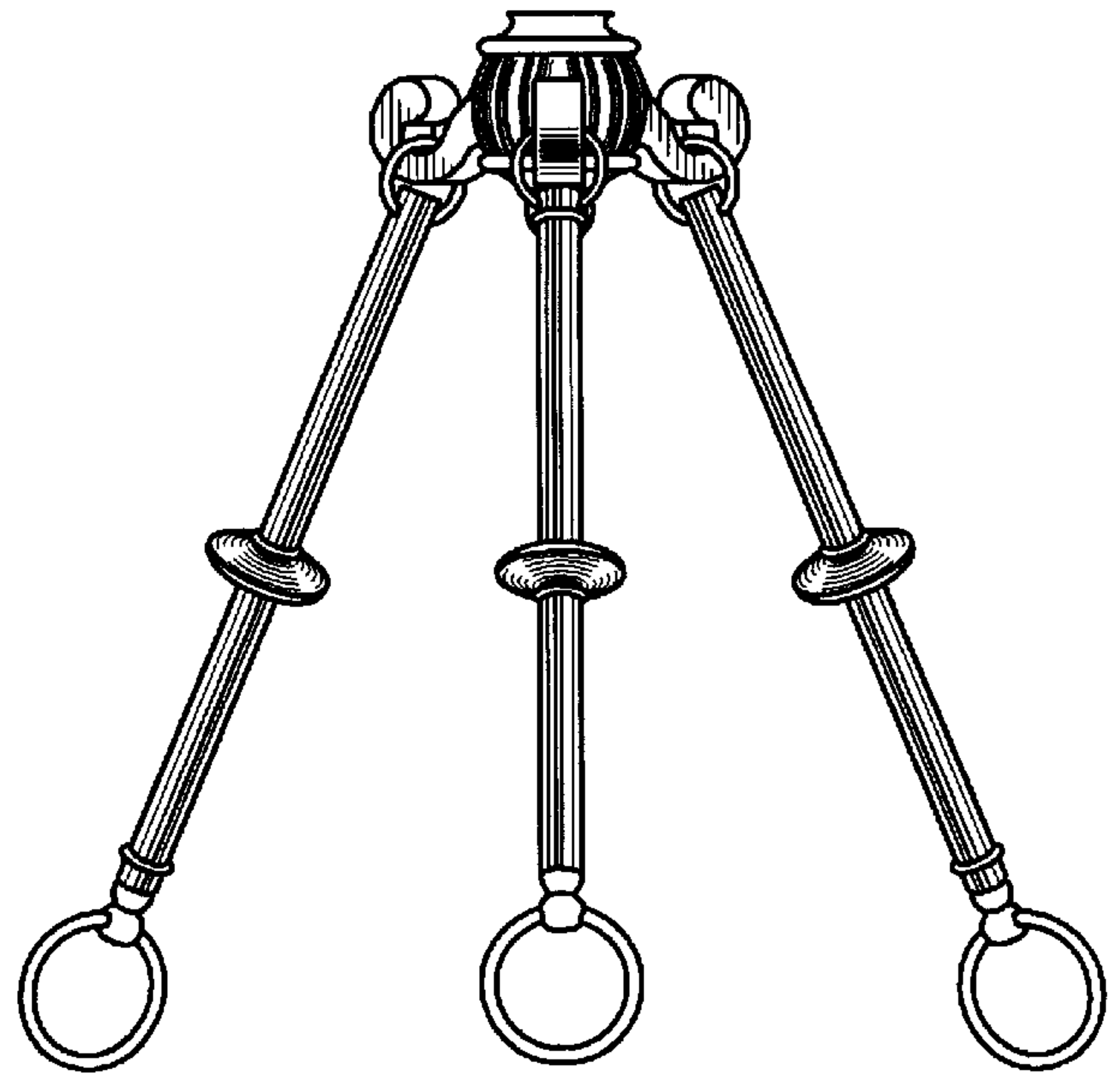




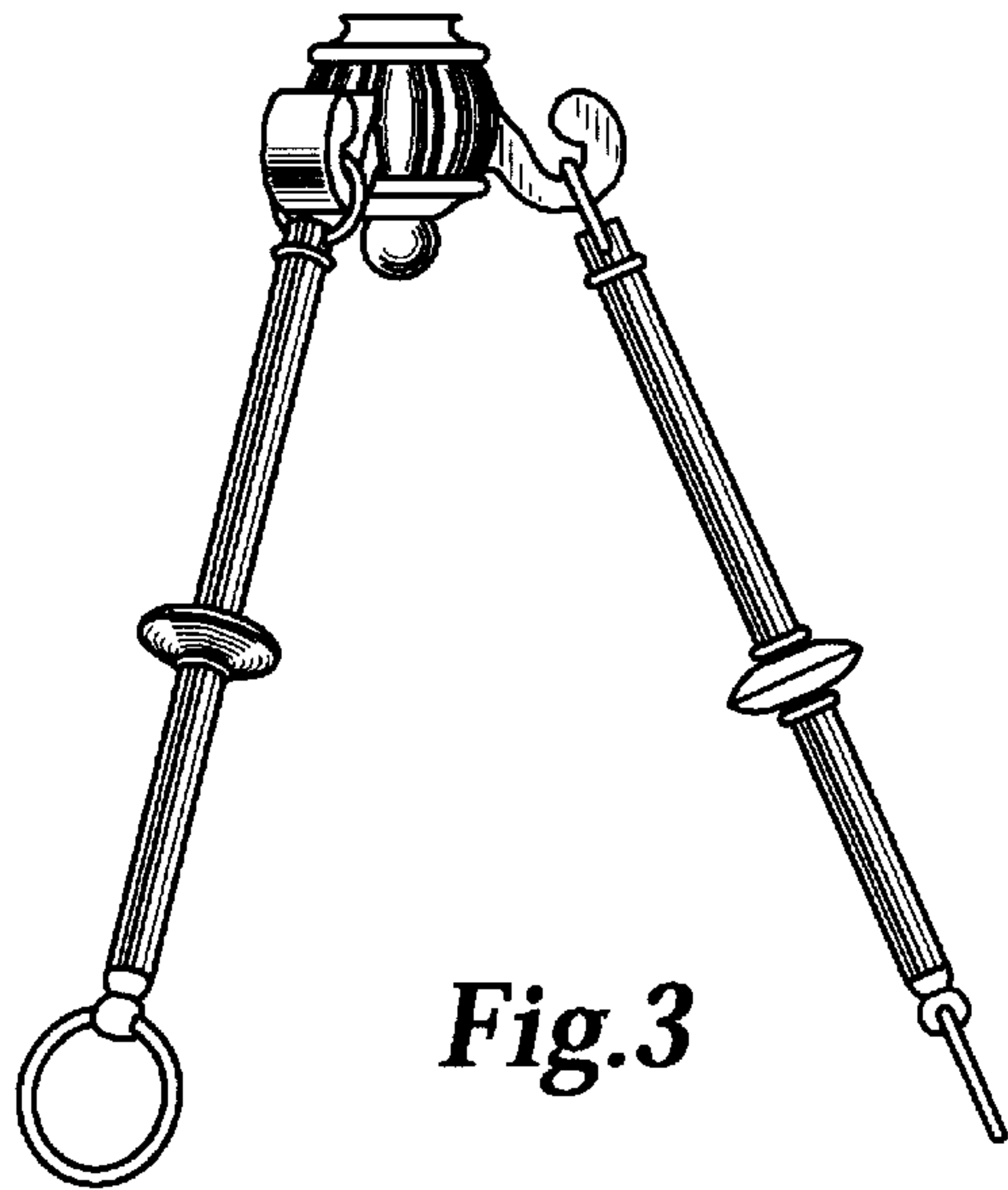
**Fig. 1**



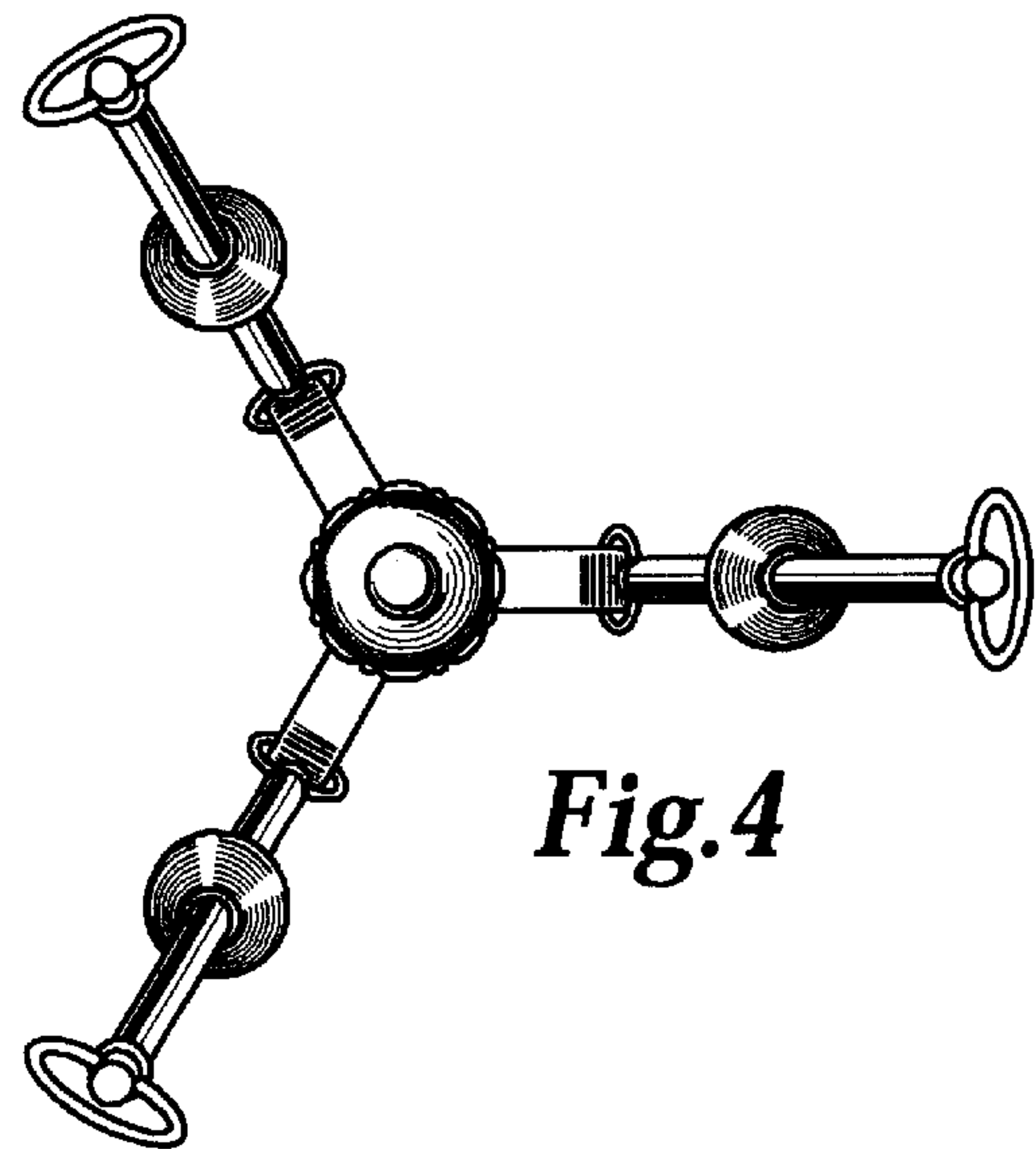
*Fig. 2*



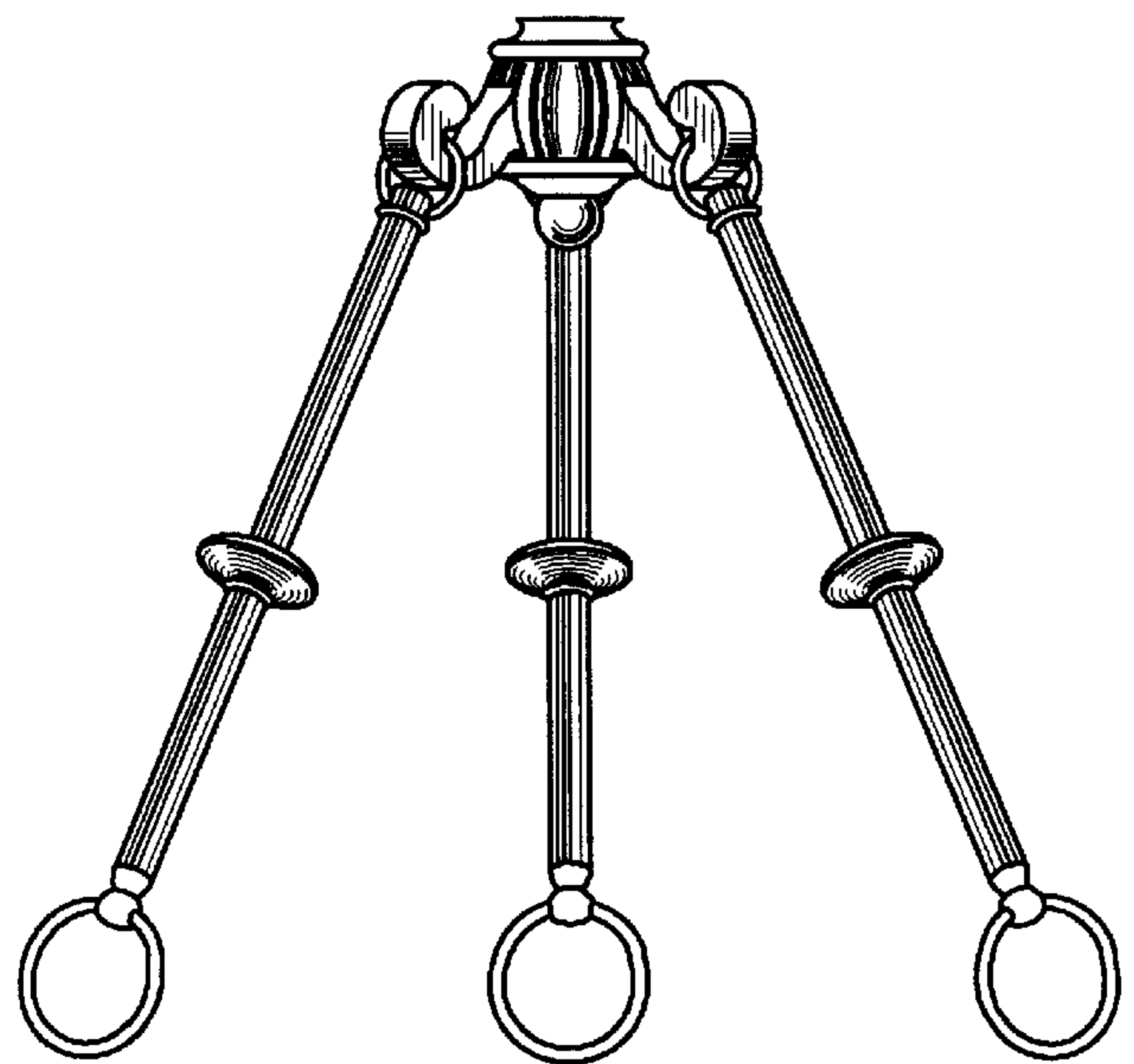
*Fig. 5*



*Fig. 3*



*Fig. 4*



*Fig. 6*