



US00D461581S

(12) **United States Design Patent**  
**De'Armond**

(10) **Patent No.:** **US D461,581 S**

(45) **Date of Patent:** **\*\* Aug. 13, 2002**

(54) **LAMP HOUSING**

(75) Inventor: **Robert De'Armond**, Temecula, CA  
(US)

(73) Assignee: **Minka Lighting, Inc.**, Corona, CA  
(US)

(\*\*) Term: **14 Years**

(21) Appl. No.: **29/140,721**

(22) Filed: **Apr. 23, 2001**

(51) **LOC (7) Cl.** ..... **26-03**

(52) **U.S. Cl.** ..... **D26/87**

(58) **Field of Search** ..... D26/67, 68, 72,  
D26/80-92, 143, 145, 147; 362/147, 153-155,  
362, 363, 367, 432, 441

(56) **References Cited**

**U.S. PATENT DOCUMENTS**

- D54,192 S \* 11/1919 Yardley
- D64,120 S \* 3/1924 Lieftuchter
- D428,187 S 7/2000 De'Armond
- D437,073 S \* 1/2001 DeaArmond ..... D26/72
- D438,660 S \* 3/2001 DeaArmond et al. .... D26/72
- D440,344 S \* 4/2001 DeaArmond ..... D26/87

**OTHER PUBLICATIONS**

U.S. patent application Ser. No. 29/140,720, Robert De'Armond, filed Apr. 23, 2001.

Minka Lighting, Inc.; *The Great Outdoors* by Minka-Lavery Two Thousand; Jun. 21, 2000; pp. 32, 33; Minka Lighting, Inc.; U.S.A.

\* cited by examiner

*Primary Examiner*—Alan P. Douglas

*Assistant Examiner*—Clare Hefflin

(74) *Attorney, Agent, or Firm*—Jenkins & Gilchrist, P.C.

(57) **CLAIM**

The ornamental design for the lamp housing, as shown and described.

**DESCRIPTION**

FIG. 1 is a side elevation view of the lamp housing in accordance with my design, illustrating a possible environment for the lamp;

FIG. 2 is a top plan view of the lamp housing in accordance with my design;

FIG. 3 is a side elevational view of the lamp housing in accordance with my design;

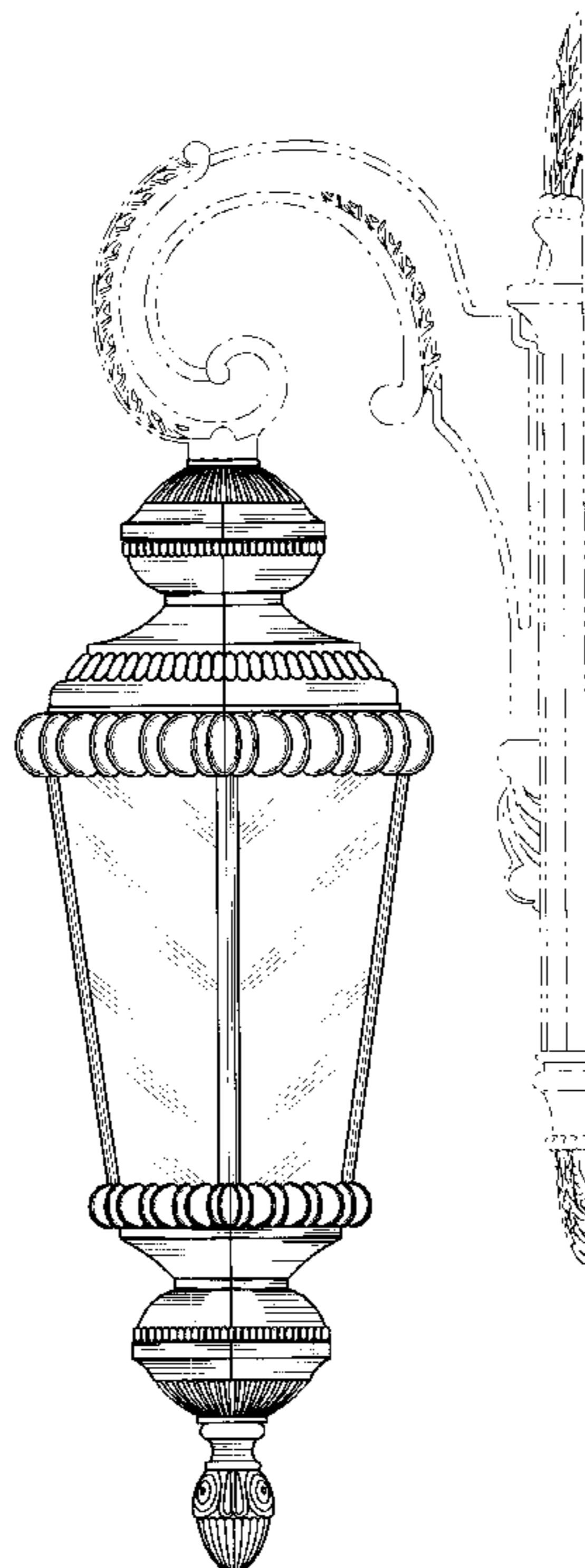
FIG. 4 illustrates the front elevation view of the lamp housing in accordance with my design; and,

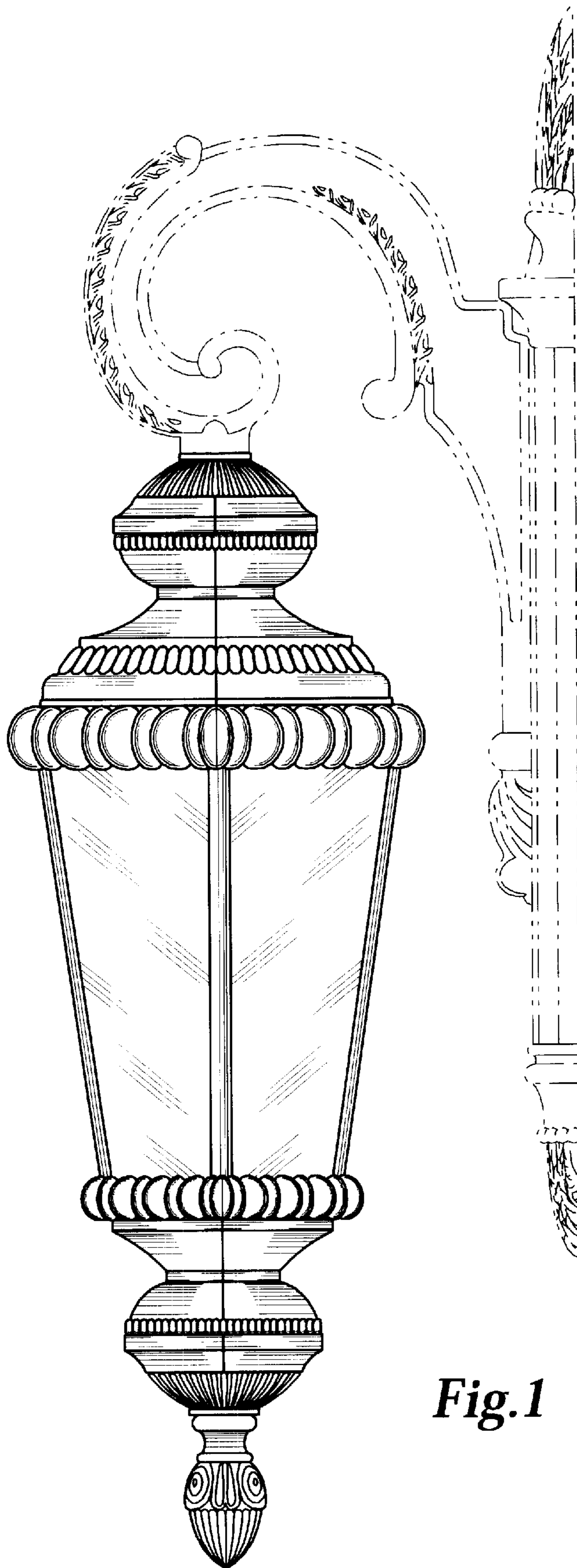
FIG. 5 illustrates the bottom view of the lamp housing in accordance with my design.

The right and left elevation views are symmetrical and the front and rear elevation views are symmetrical.

The broken lines shown in the drawings are for illustrative purposes only and form no part of the claimed design.

**1 Claim, 2 Drawing Sheets**





*Fig. 1*

