



US00D461580S

(12) **United States Design Patent**  
**Hsu**

(10) **Patent No.:** **US D461,580 S**

(45) **Date of Patent:** **\*\* Aug. 13, 2002**

(54) **PENDENT LAMP**

(75) **Inventor:** **Sam Hsu, Taichung (TW)**

(73) **Assignee:** **Dong Guan Bright Yin Huey Lighting Co., Ltd., Guang Dong (CN)**

(\*\*) **Term:** **14 Years**

(21) **Appl. No.:** **29/151,016**

(22) **Filed:** **Dec. 4, 2001**

(51) **LOC (7) Cl.** ..... **26-03**

(52) **U.S. Cl.** ..... **D26/85**

(58) **Field of Search** ..... **D26/72, 80-92, D26/142-144, 152, 155; 362/147, 404-408, 432**

(56) **References Cited**  
**PUBLICATIONS**

Kichler Catalog No.198 (c)1998; p. 152; items K-2720 (all) and K-2705.\*

Kichler Catalog No. 198 (c)1998; p. 151; items K-2730OB and k-2730 PB.\*

Progress Lighting Ideas Catalog #120 (c)1990; p. 75; items P4295 (all) I& P4520-11.\*

\* cited by examiner

*Primary Examiner*—Alan P. Douglas

*Assistant Examiner*—Clare E. Heflin

(74) *Attorney, Agent, or Firm*—Rosenberg, Klein & Lee

(57) **CLAIM**

The ornamental design for a pendent lamp, as shown and described.

**DESCRIPTION**

FIG. 1 is a perspective view of pendent lamp showing my new design;

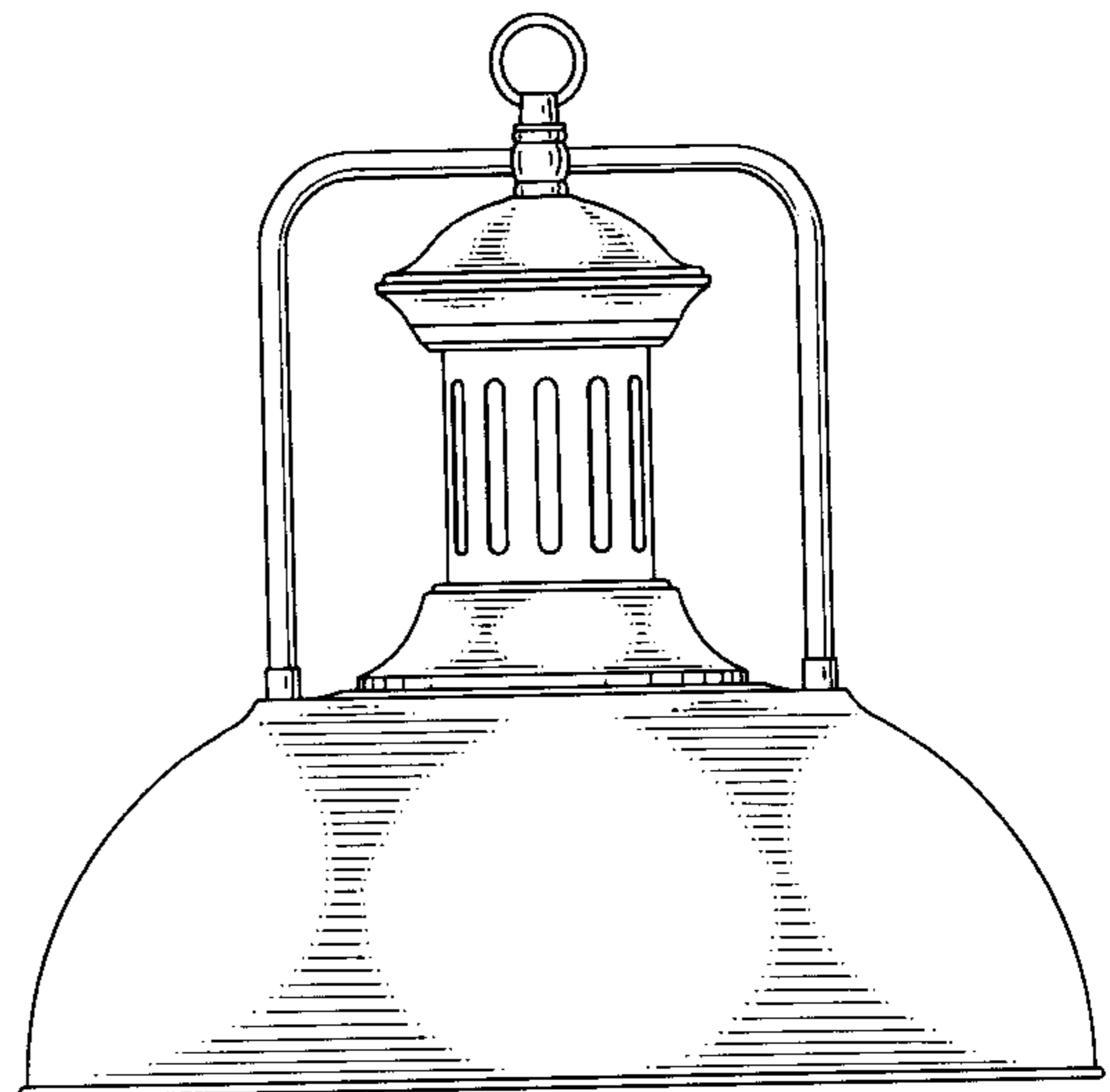
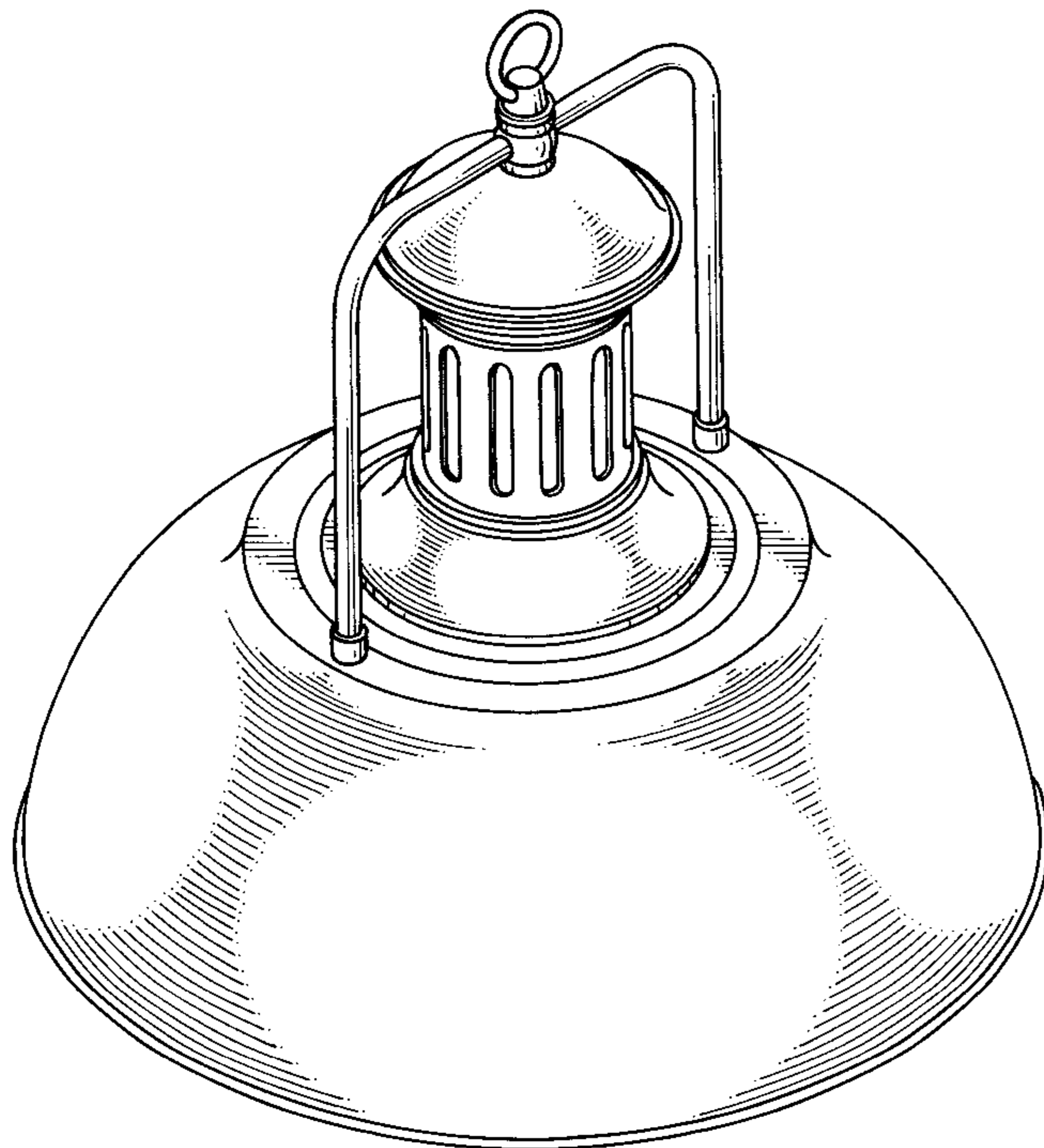
FIG. 2 is a front elevation view, the rear elevation view thereof being identical in appearance;

FIG. 3 is a left side elevation view, the right side elevation view thereof being identical in appearance;

FIG. 4 is a top plan view thereof; and,

FIG. 5 is a bottom plan view thereof.

**1 Claim, 3 Drawing Sheets**



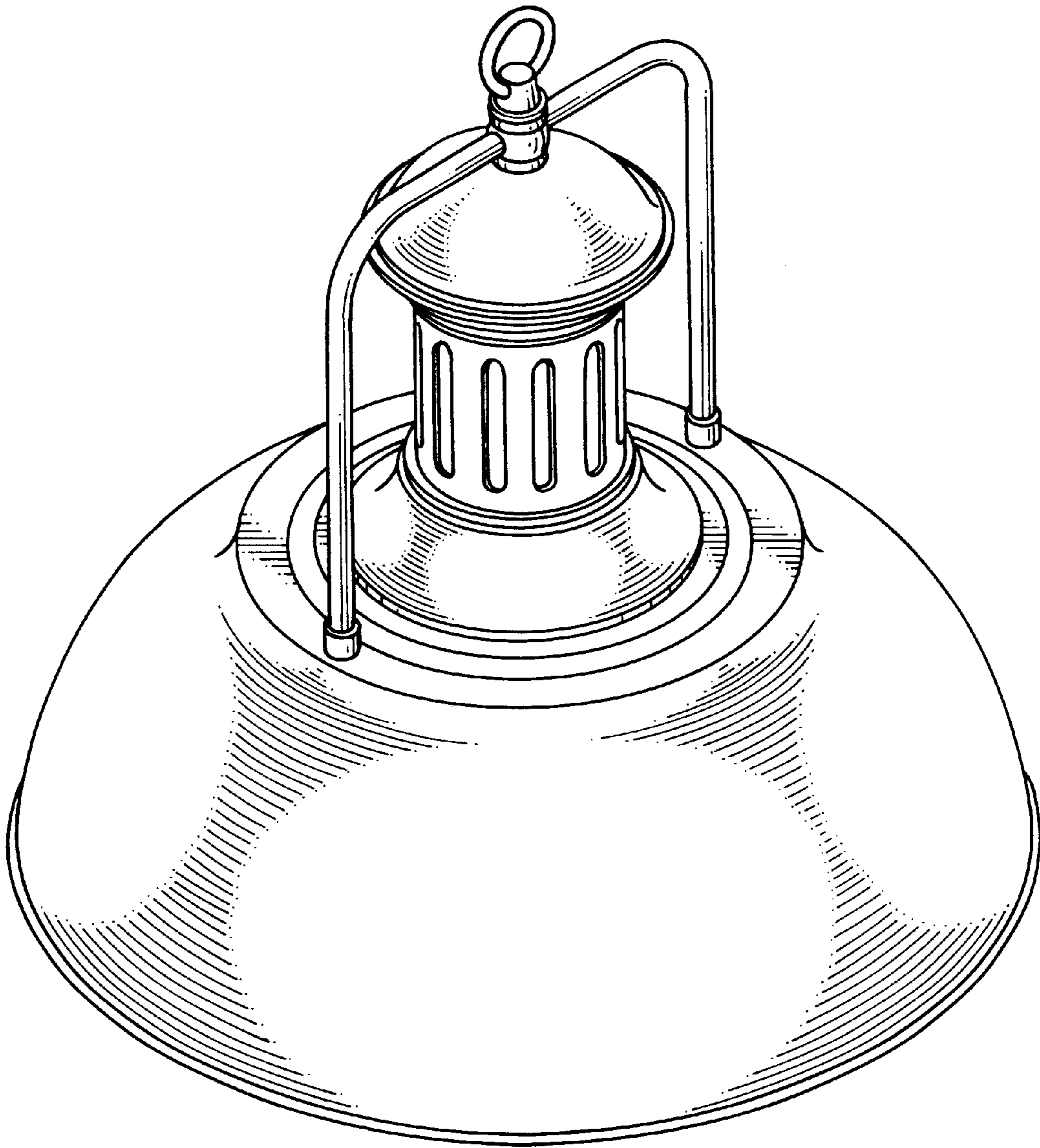


FIG. 1

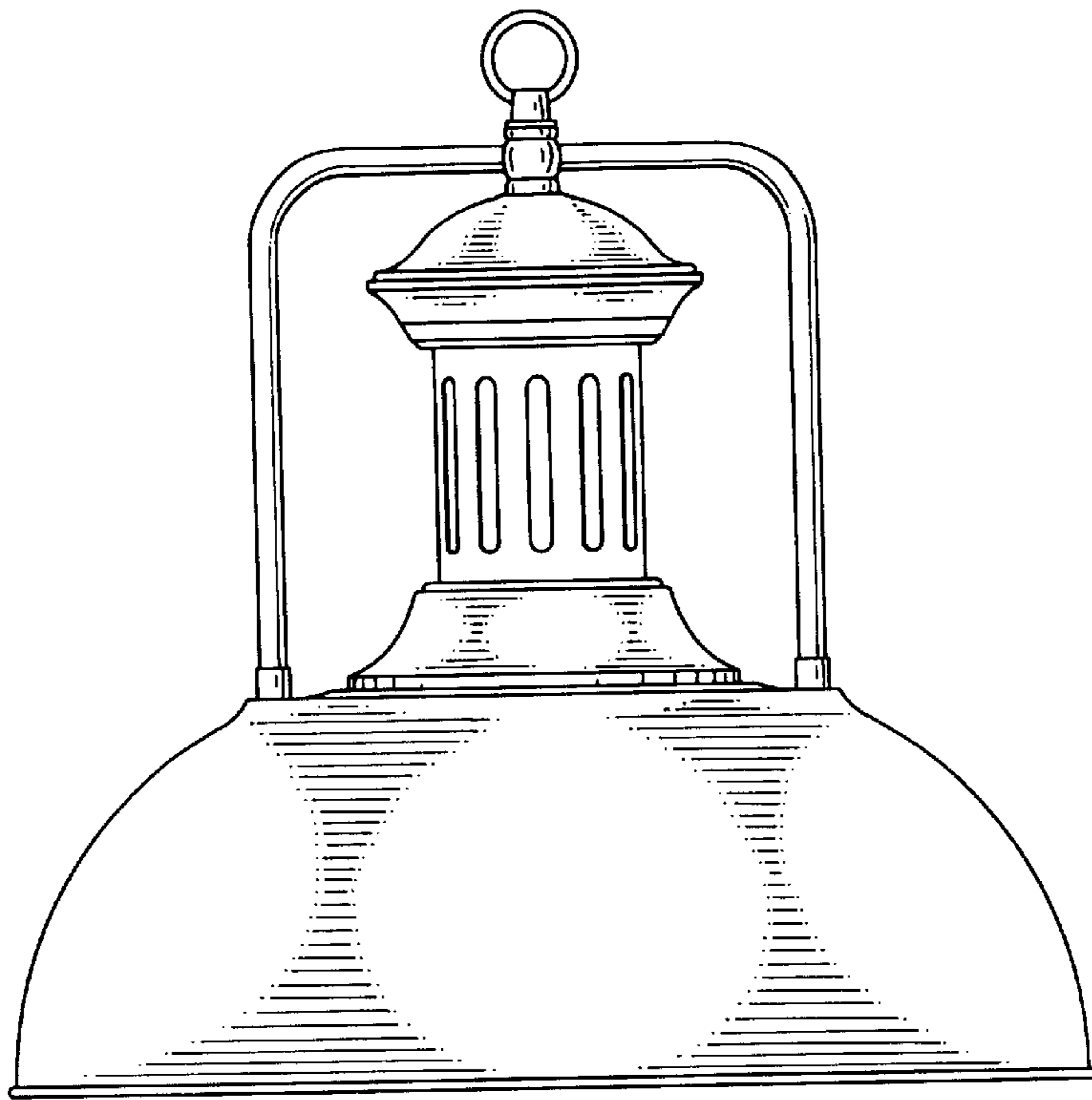


FIG. 2

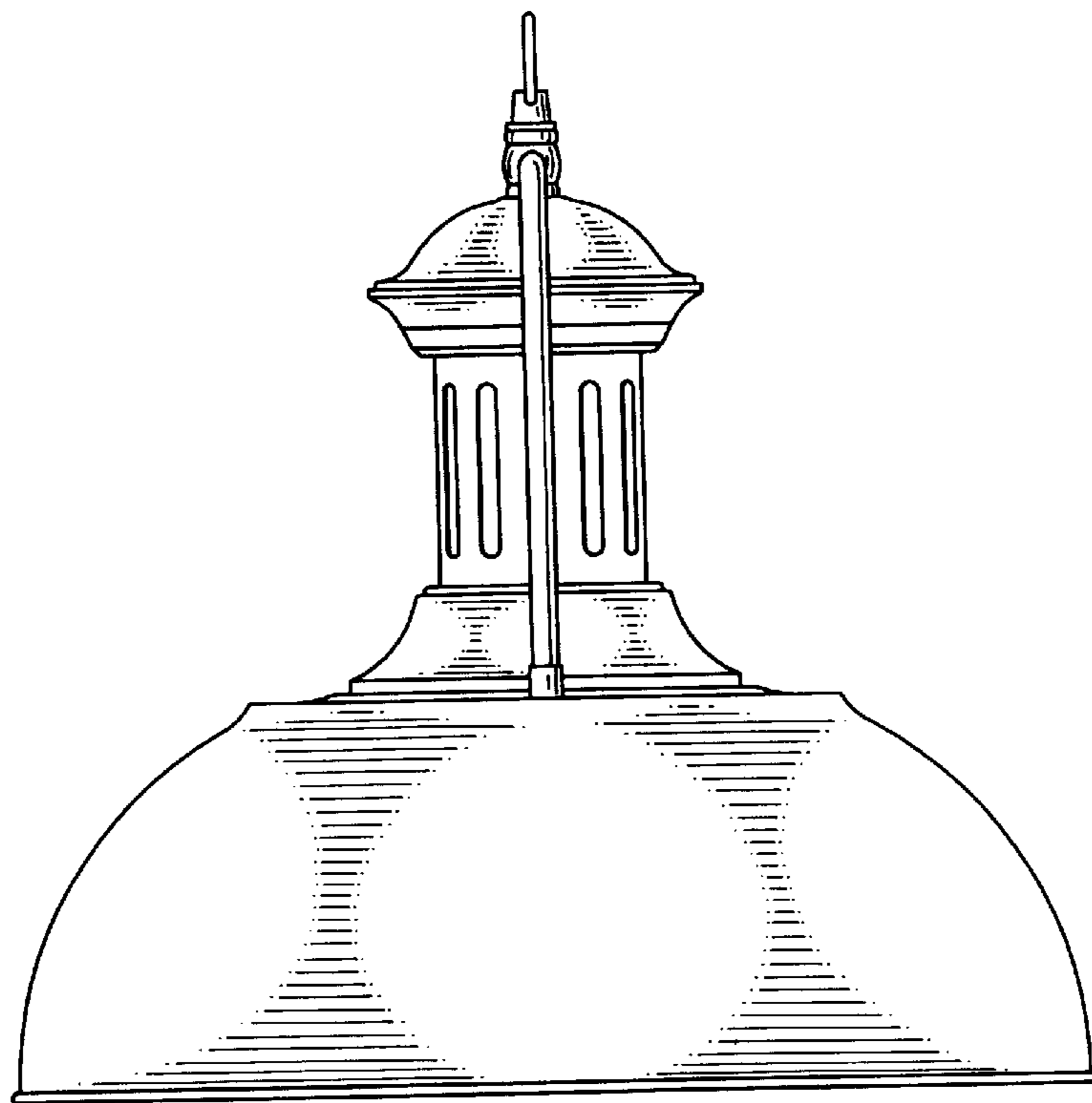


FIG. 3

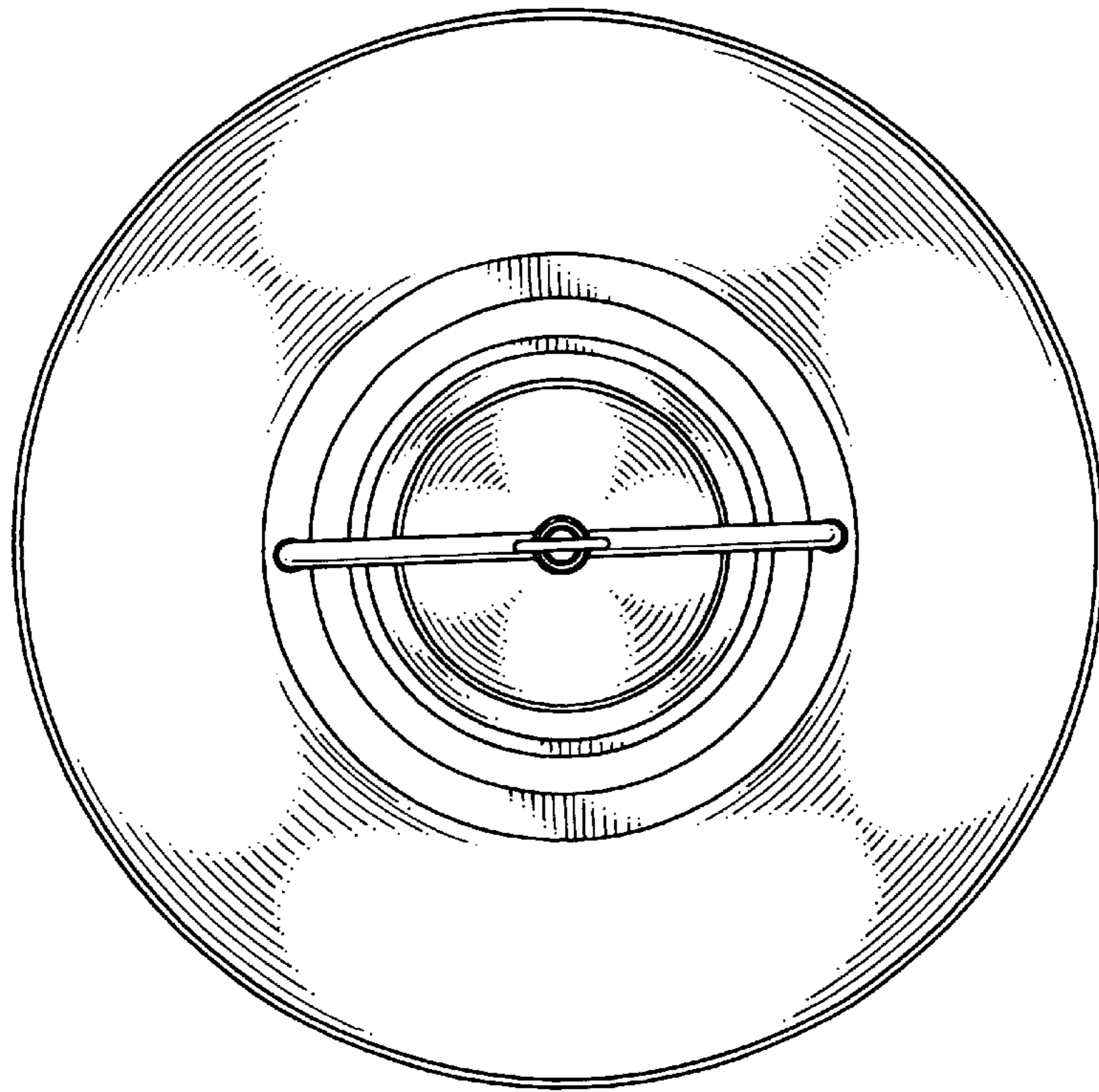


FIG. 4

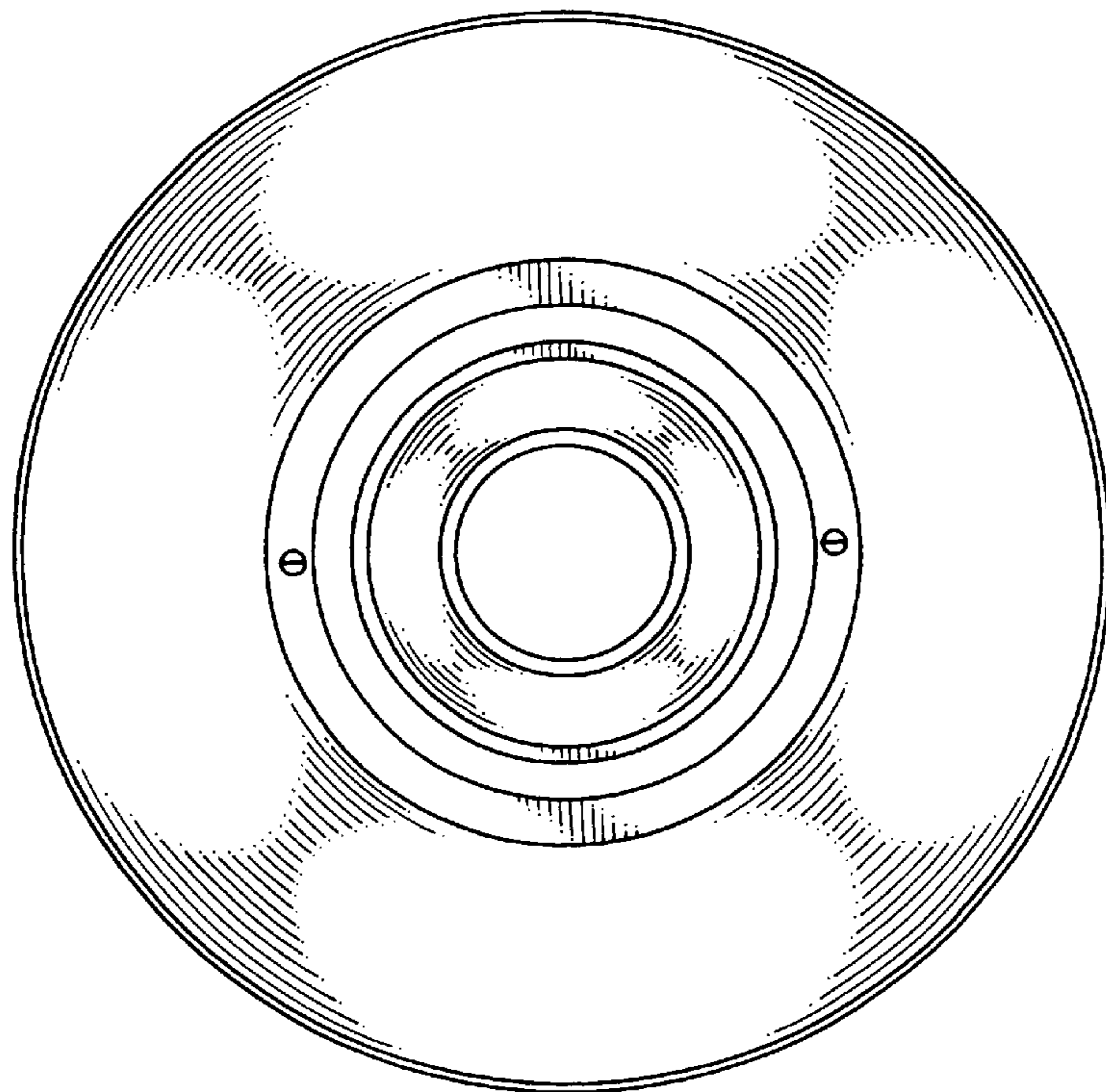


FIG. 5