



US00D461579S

(12) **United States Design Patent**
Chang

(10) **Patent No.:** **US D461,579 S**

(45) **Date of Patent:** **** Aug. 13, 2002**

(54) **SOLAR POWERED LAMP**

(76) Inventor: **Tsu-Kang Chang**, No. 569-1, Pei-An Rd., Chung-Shan Dist., Taipei (TW)

(**) Term: **14 Years**

(21) Appl. No.: **29/146,331**

(22) Filed: **Aug. 9, 2001**

(51) **LOC (7) Cl.** **26-05**

(52) **U.S. Cl.** **D26/67**

(58) **Field of Search** D26/67-71; 362/153, 362/153.1, 183, 276, 431

(56) **References Cited**

U.S. PATENT DOCUMENTS

D435,129 S * 12/2000 Ewing D26/67

D452,028 S * 12/2001 Leed D26/67

* cited by examiner

Primary Examiner—Marcus A. Jackson

(74) *Attorney, Agent, or Firm*—Bacon & Thomas, PLLC

(57) **CLAIM**

The ornamental design for a solar powered lamp, as shown.

DESCRIPTION

FIG. 1 is a front-right-bottom perspective view of a solar powered lamp, showing my new design;

FIG. 2 is a front elevational view thereof;

FIG. 3 is a rear elevational view thereof;

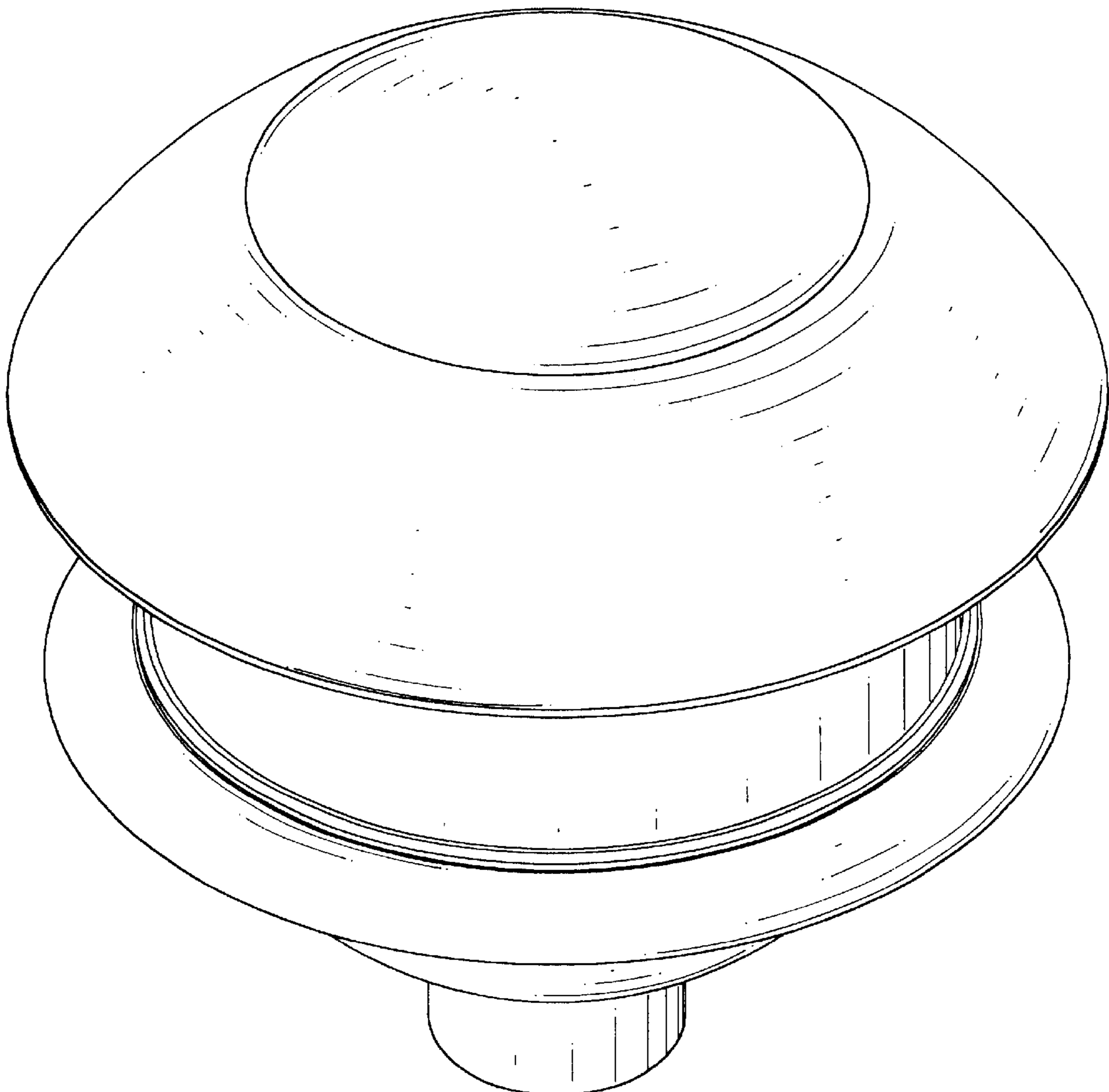
FIG. 4 is a left elevational view thereof;

FIG. 5 is a right elevational view thereof;

FIG. 6 is a top plan view thereof; and,

FIG. 7 is a bottom plan view thereof.

1 Claim, 7 Drawing Sheets



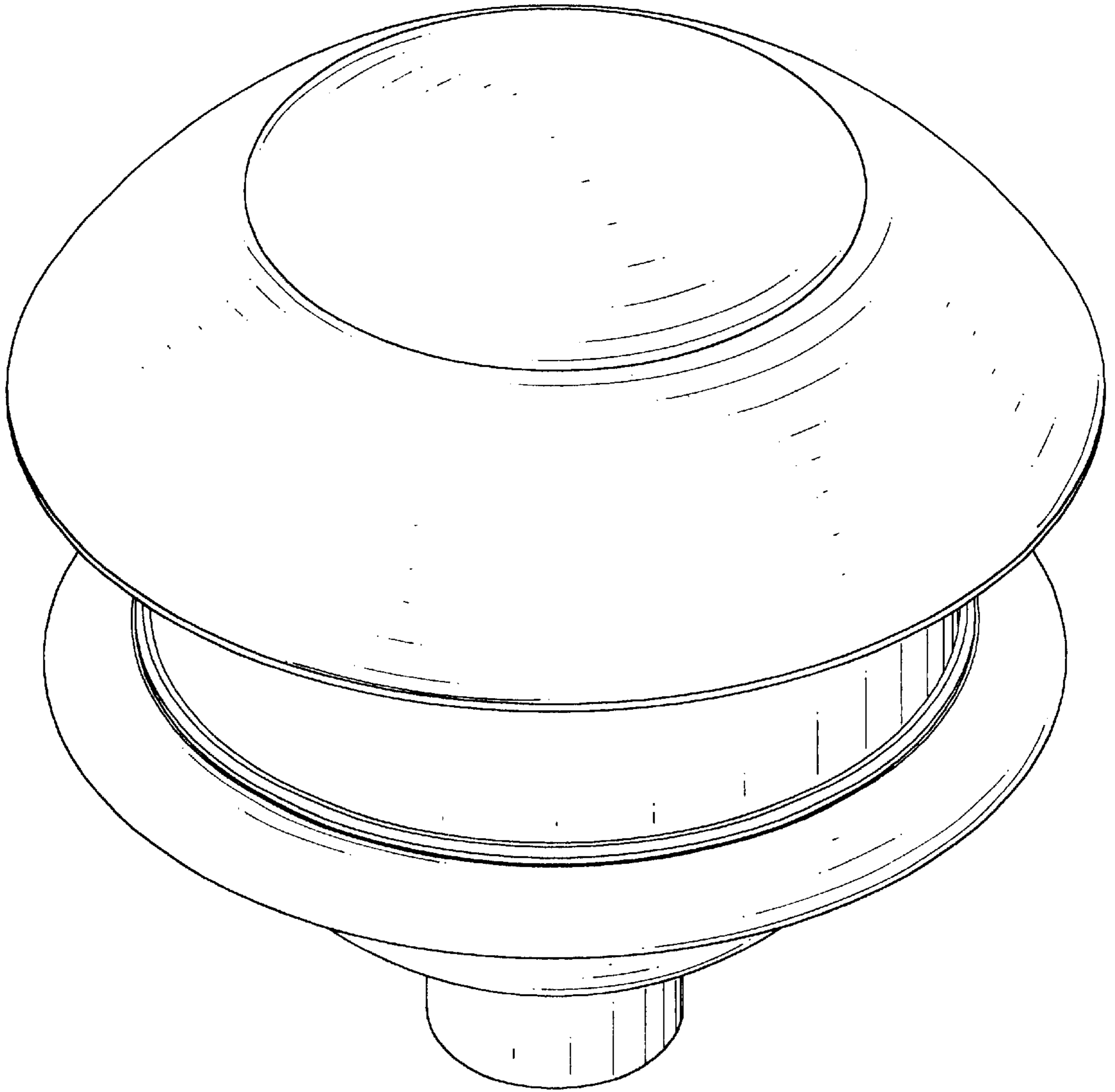


FIG. 1

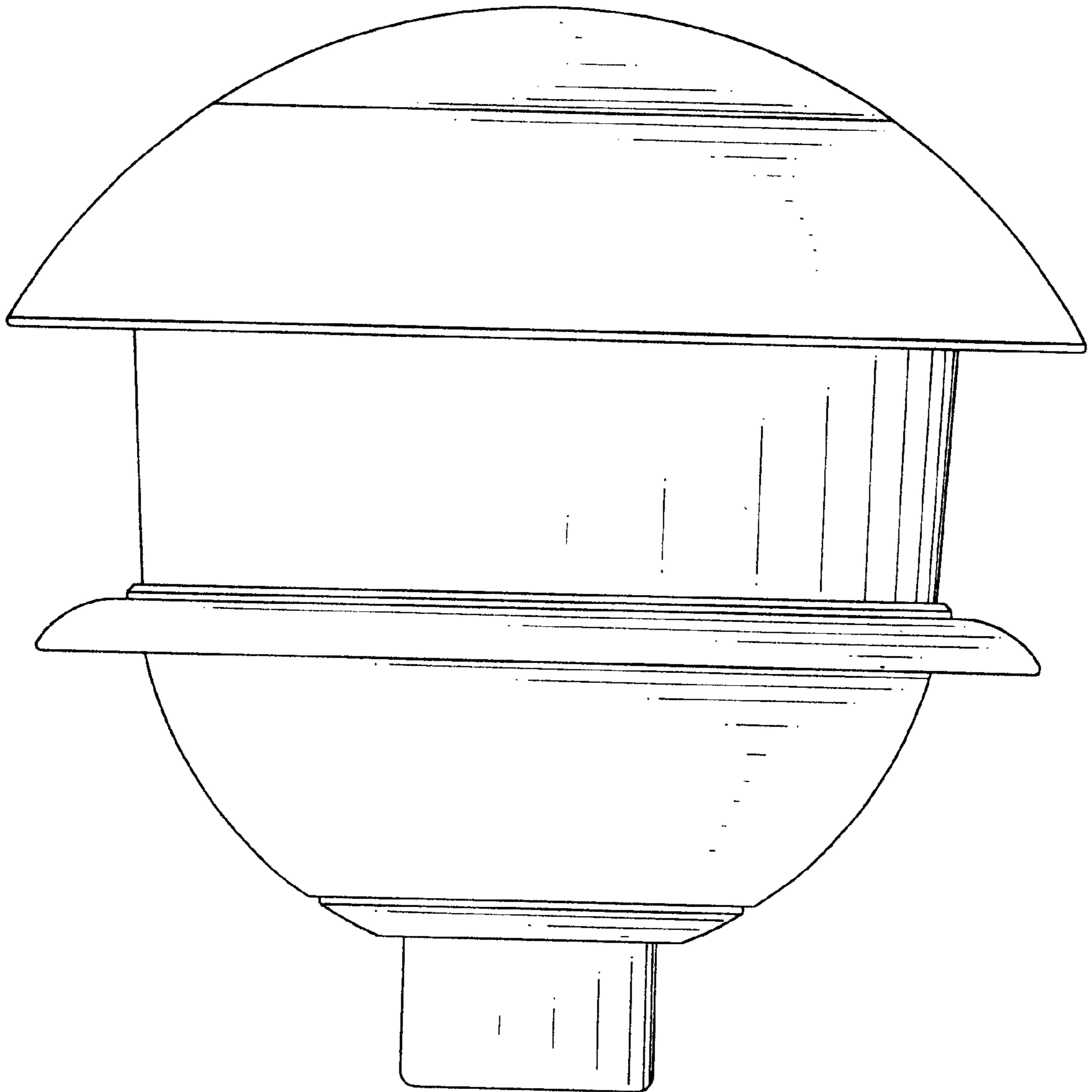


FIG. 2

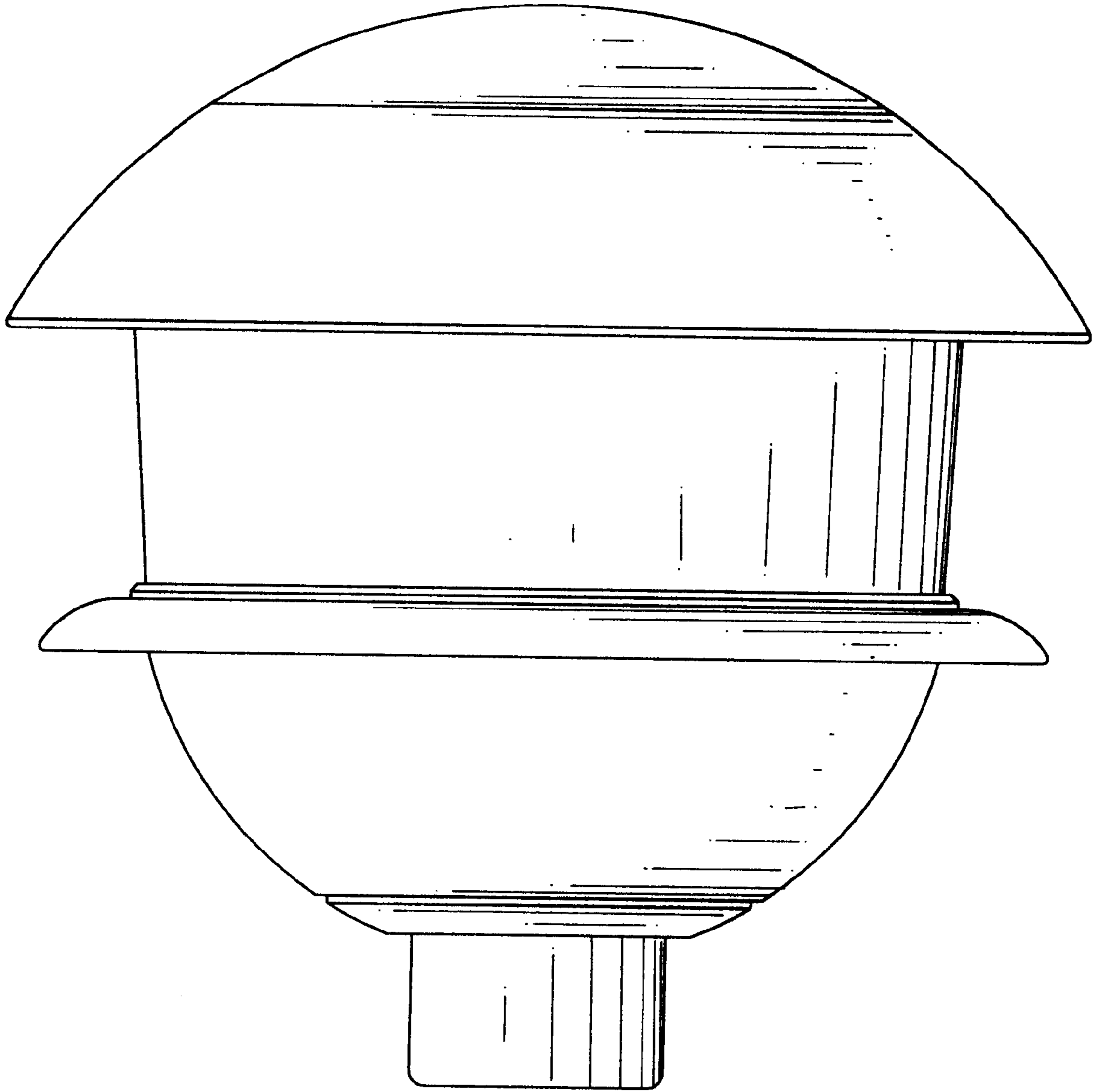


FIG. 3

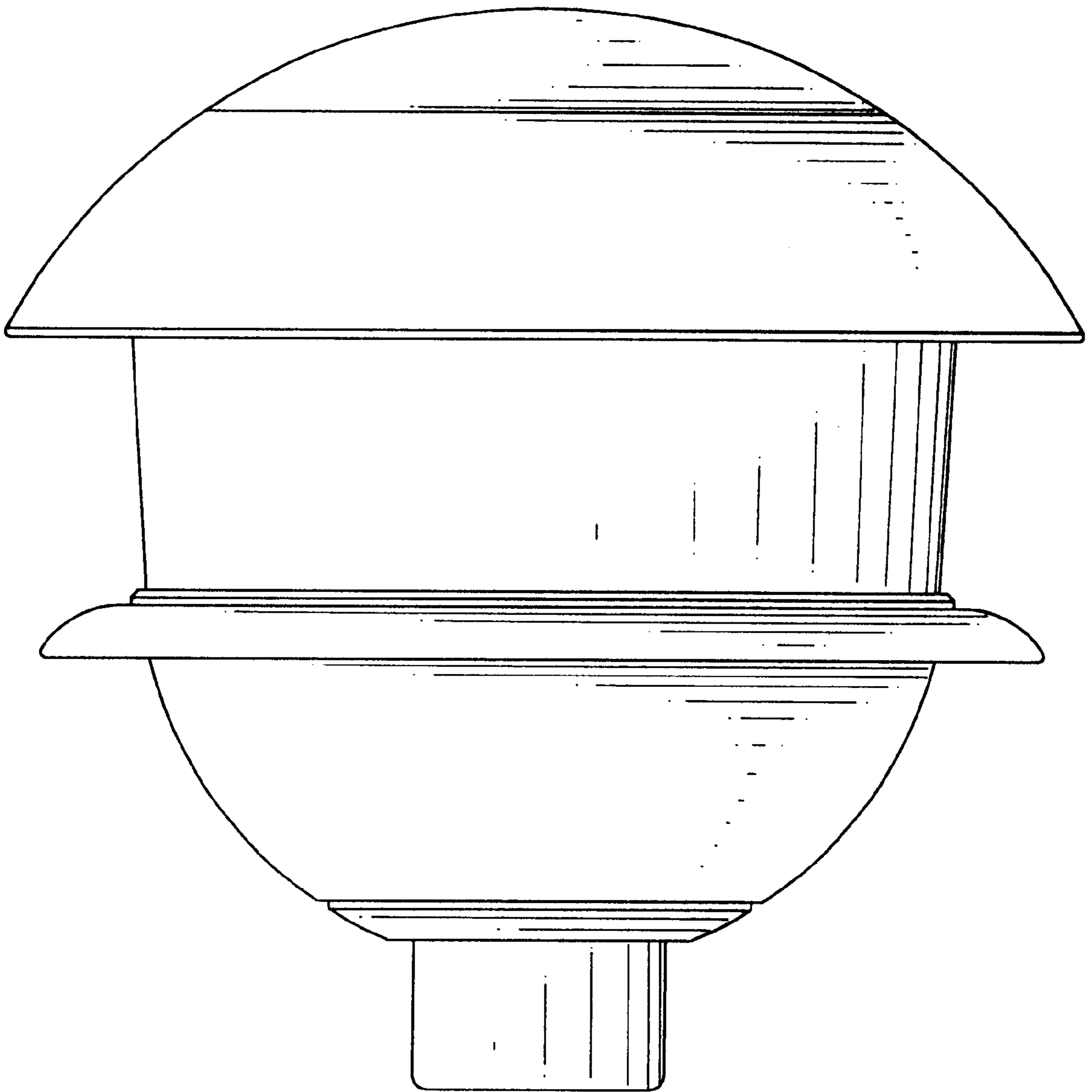


FIG. 4

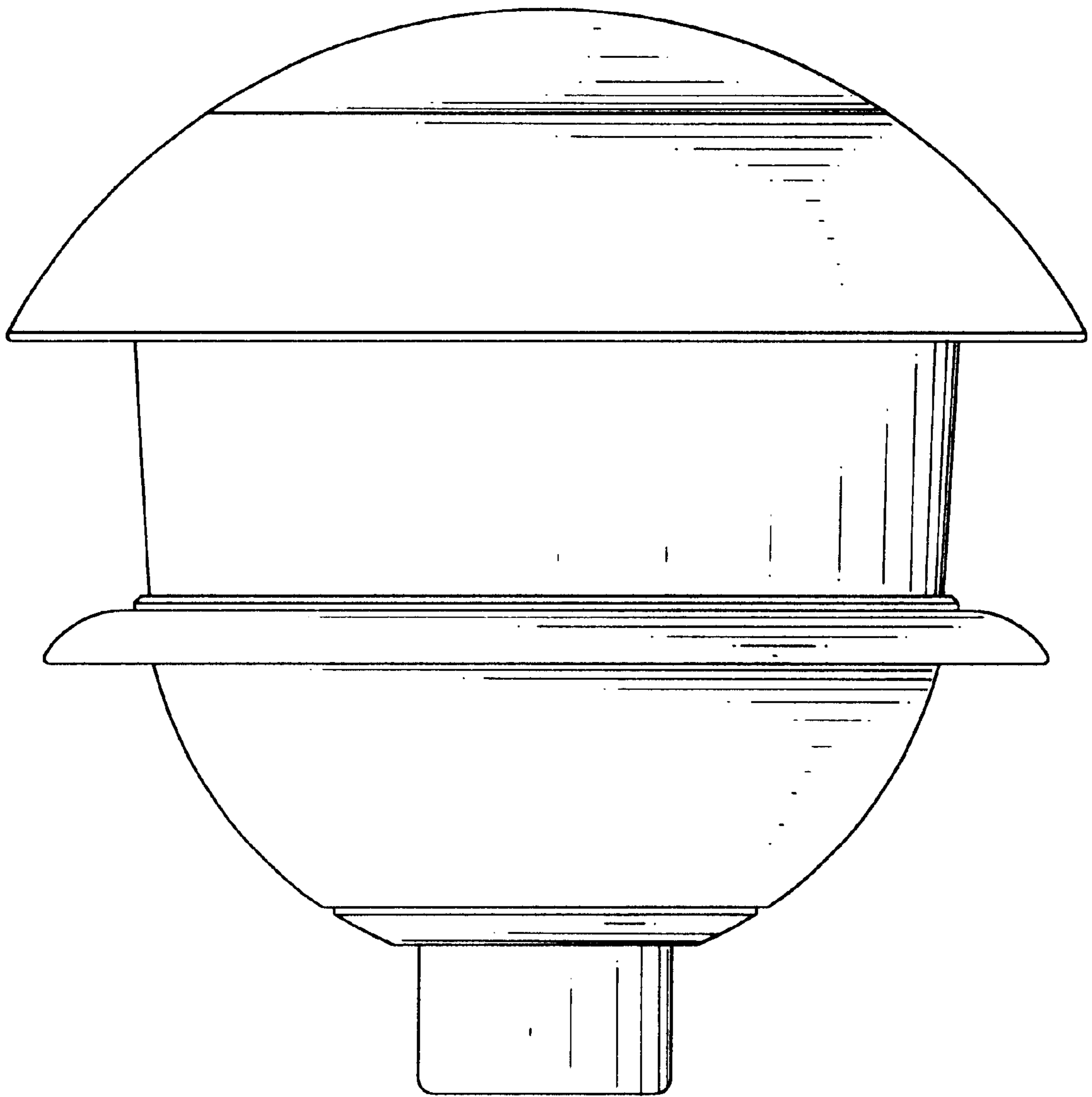


FIG. 5

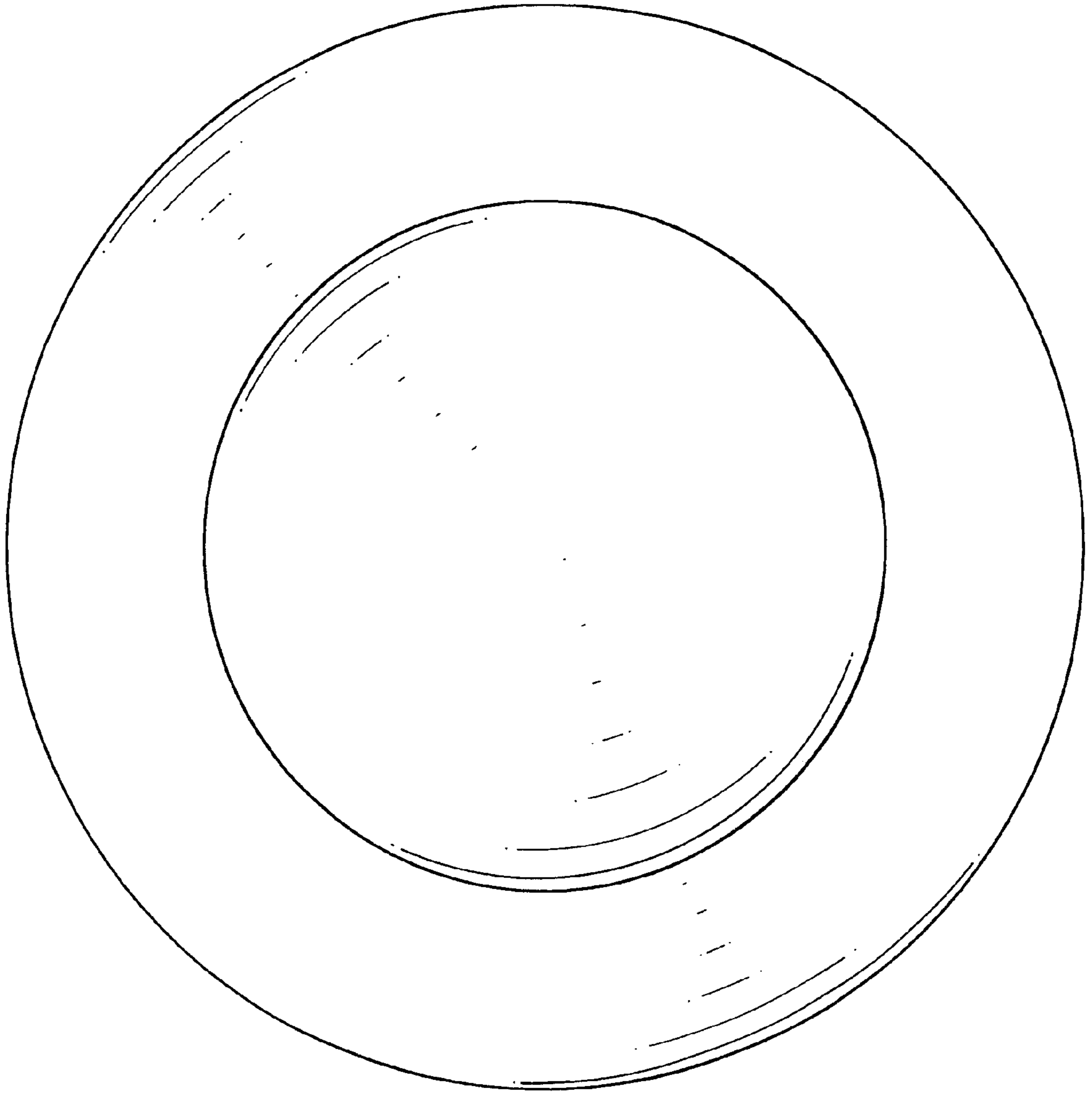


FIG. 6

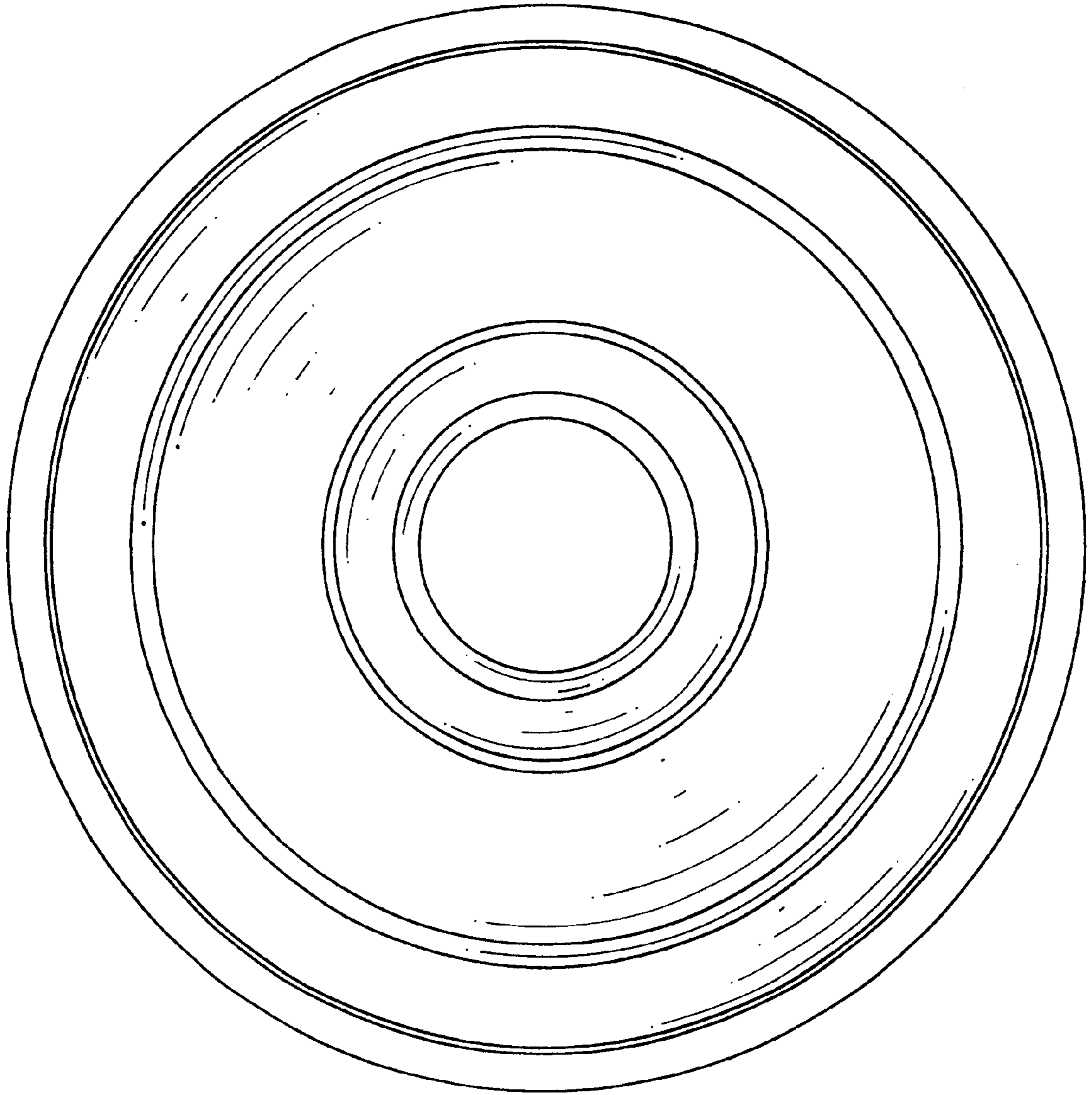


FIG. 7