



US00D461575S

(12) **United States Design Patent**
Whipple

(10) **Patent No.:** **US D461,575 S**

(45) **Date of Patent:** **** Aug. 13, 2002**

(54) **OUTBOARD MOTOR AND STERN DRIVE
UNIT CAVITATION PLATE LIGHT**

D441,470 S * 5/2001 Poon D26/28

* cited by examiner

(76) Inventor: **William F. Whipple**, 966 Wages Way,
Orlando, FL (US) 32825

Primary Examiner—Marcus A. Jackson

(**) Term: **14 Years**

(57) **CLAIM**

(21) Appl. No.: **29/144,686**

The ornamental design for an outboard motor and stern drive unit cavitation plate light, as shown and described.

(22) Filed: **Jul. 9, 2001**

DESCRIPTION

(51) **LOC (7) Cl.** **26-04**

FIG. 1 is a front top perspective view of my new outboard motor and stern drive unit cavitation plate light;

(52) **U.S. Cl.** **D26/28**

FIG. 2 is a front elevation;

(58) **Field of Search** D26/28-36; 362/157,
362/158, 171, 172, 173, 183-208

FIG. 3 is a rear elevation;

FIG. 4 is a right side elevation;

FIG. 5 is a left side elevation;

FIG. 6 is a top plan view; and,

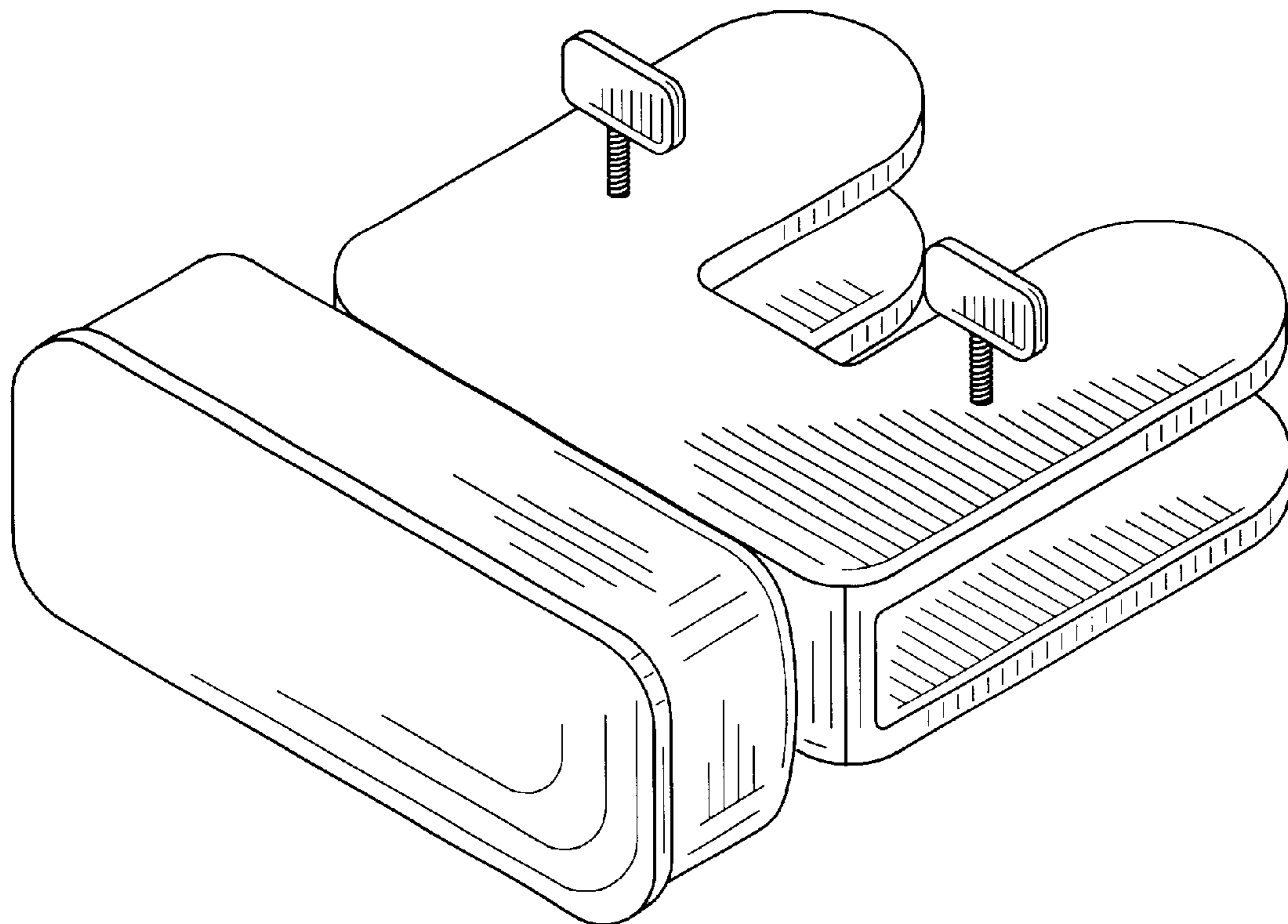
FIG. 7 is a bottom plan view.

(56) **References Cited**

U.S. PATENT DOCUMENTS

- D383,227 S * 9/1997 Nagano D26/28
- D415,297 S * 10/1999 Chung D26/28
- 5,980,073 A 11/1999 Whipple

1 Claim, 2 Drawing Sheets



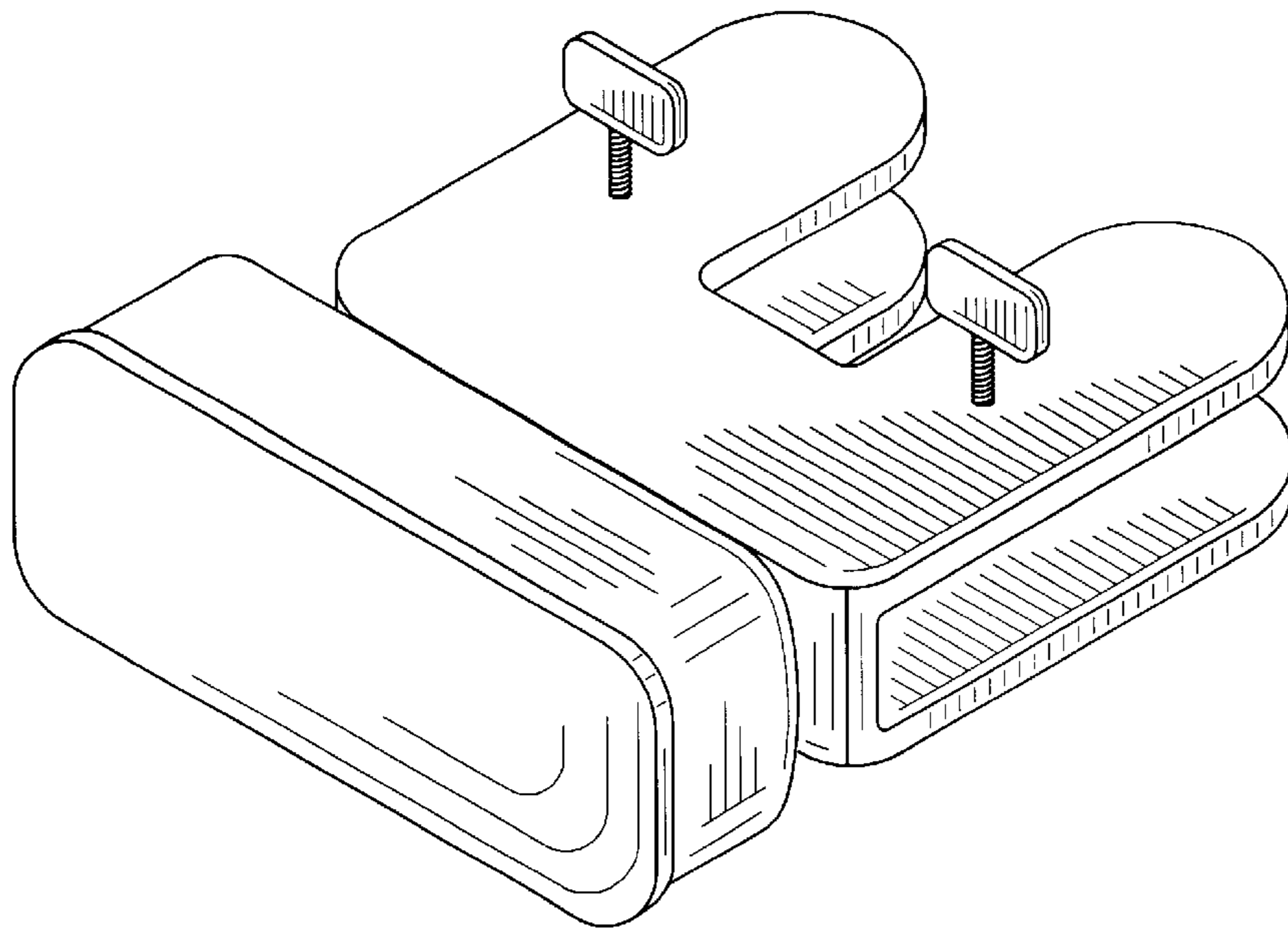


FIG. 1

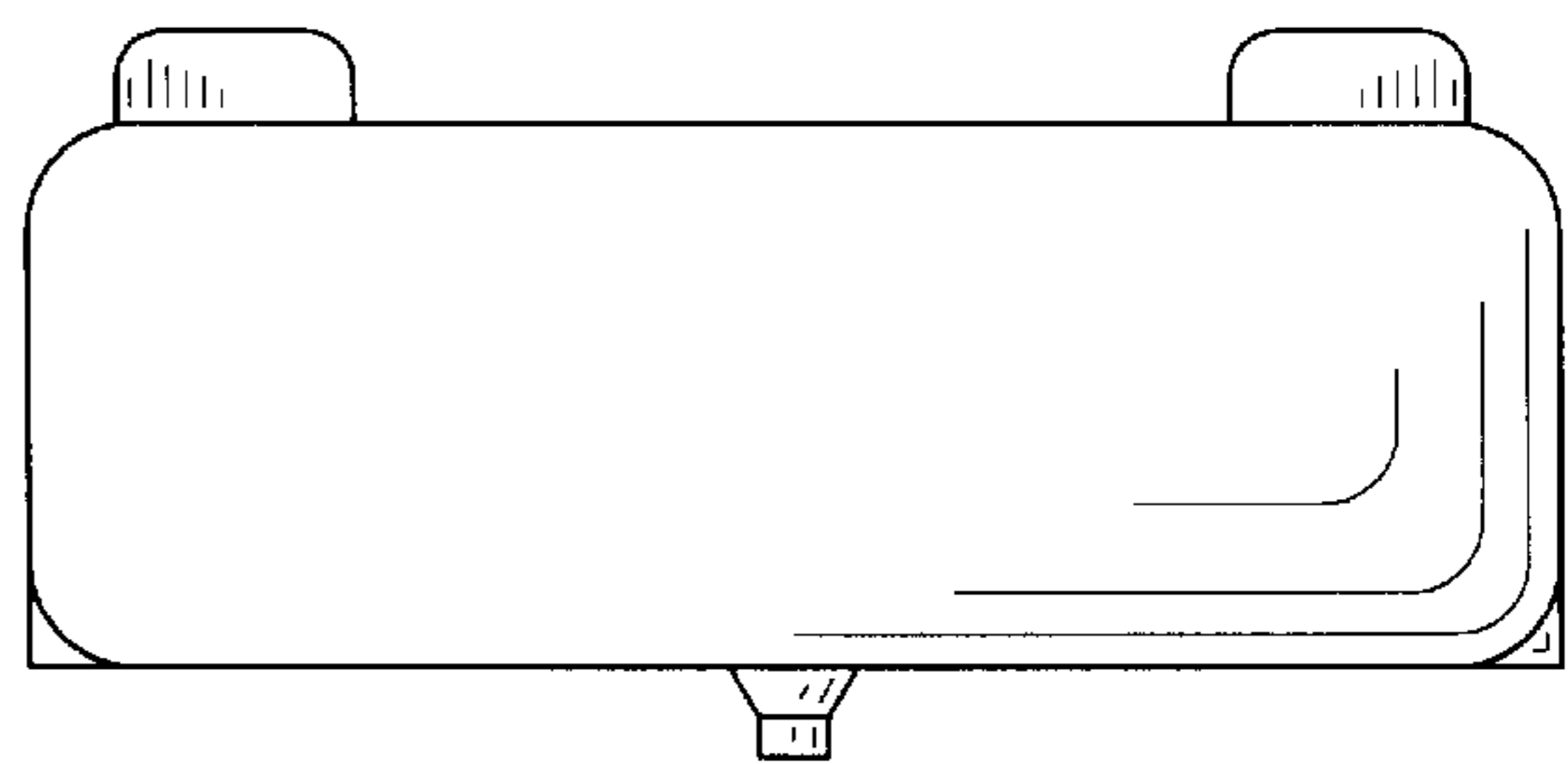


FIG. 2

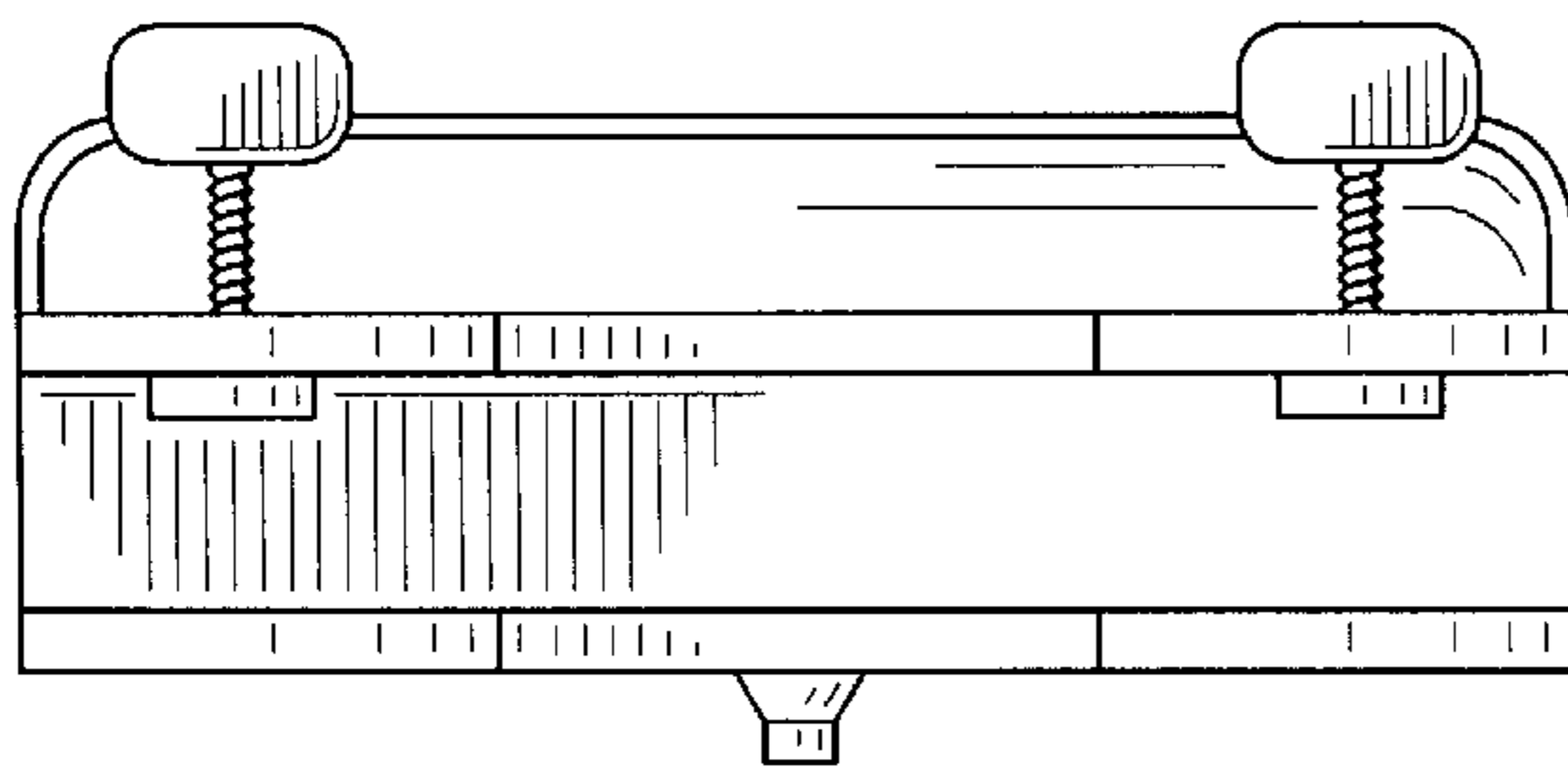


FIG. 3

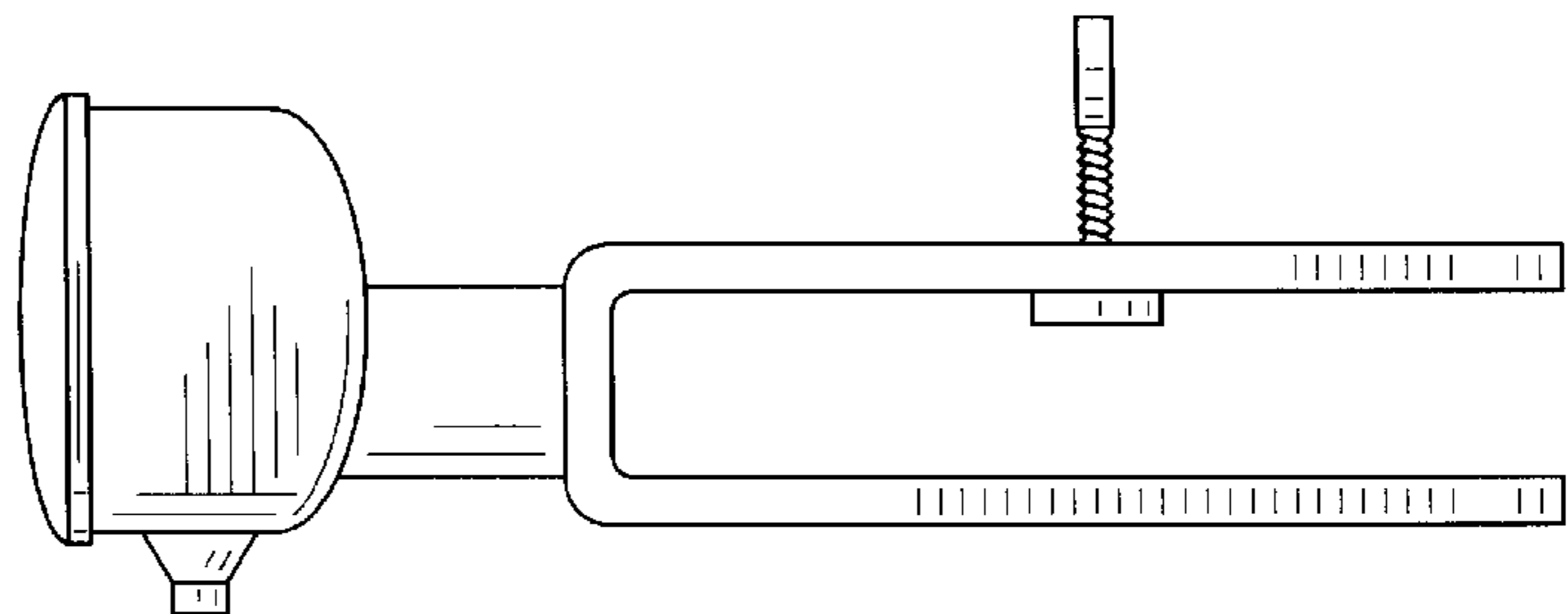


FIG. 4

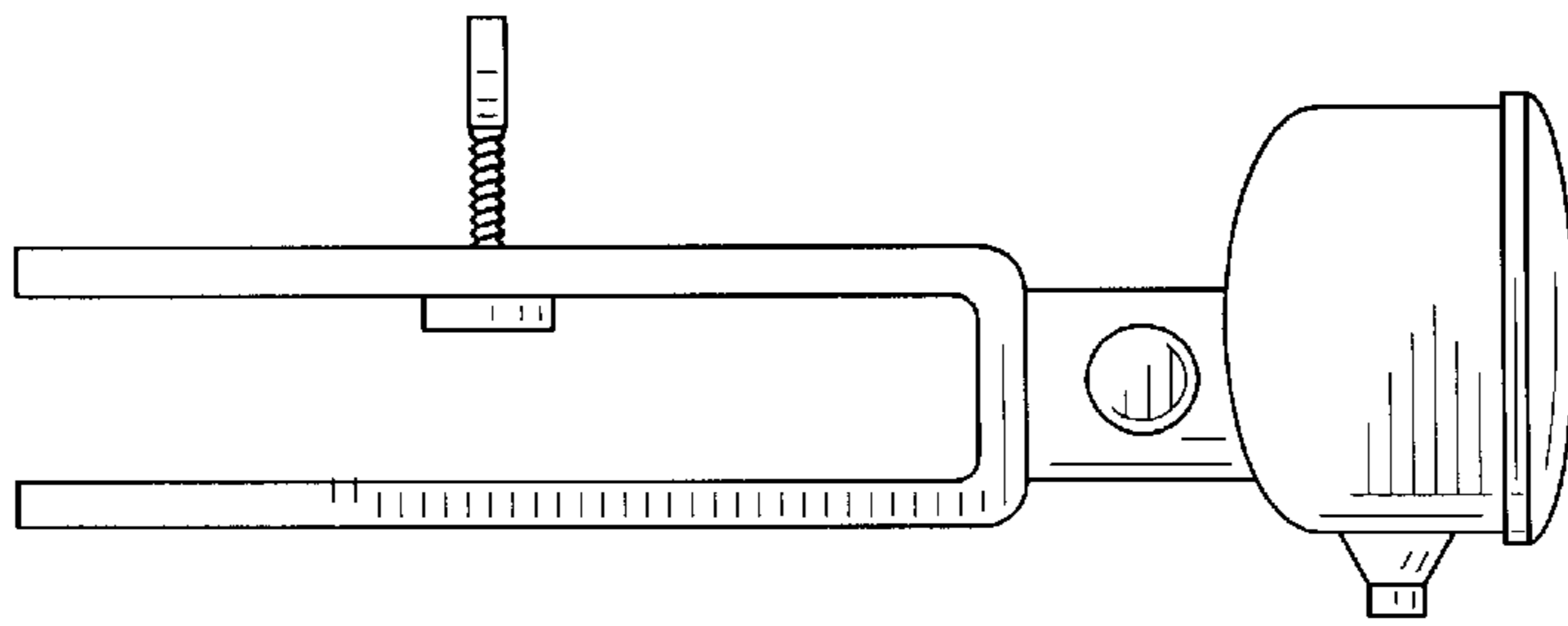


FIG. 5

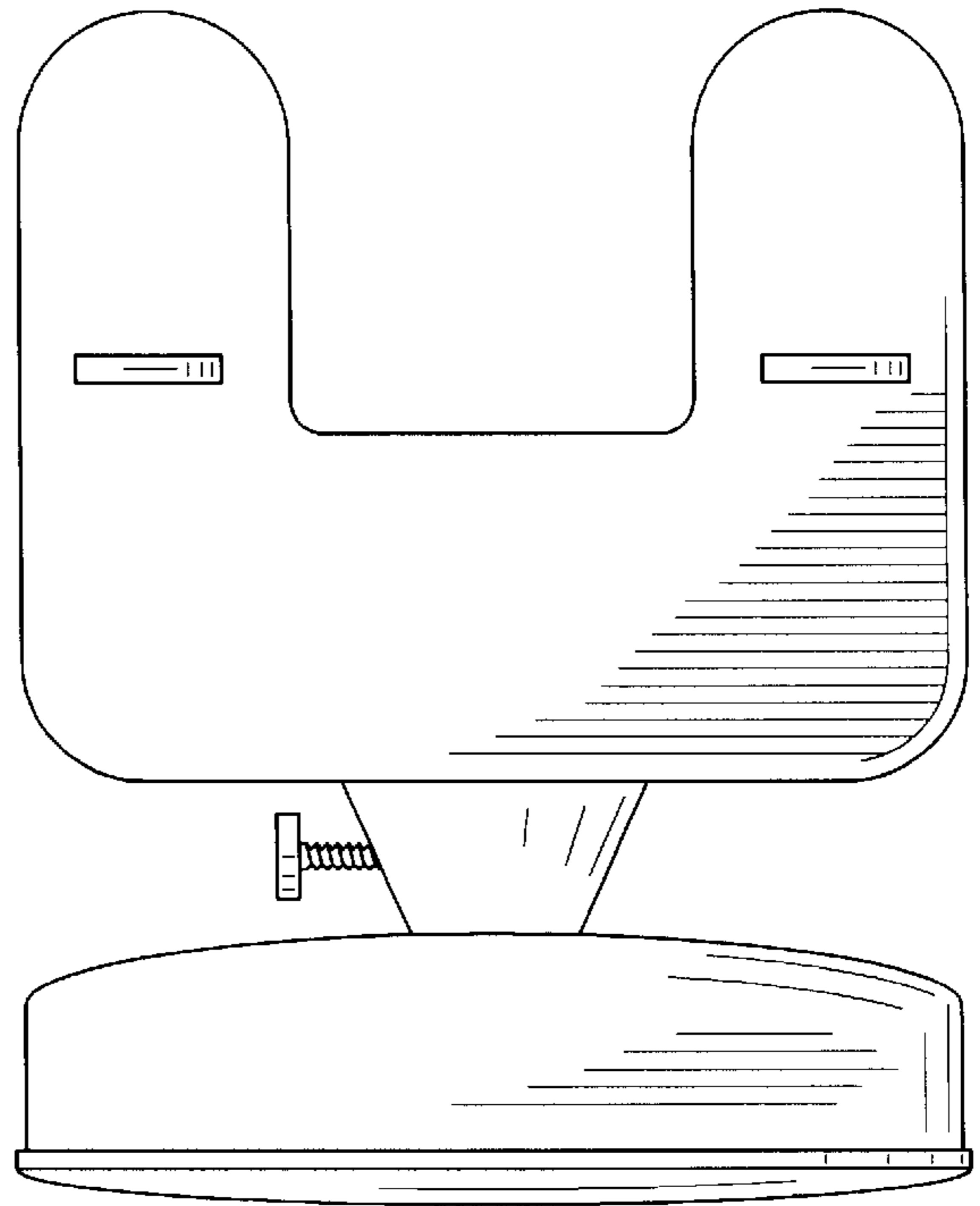


FIG. 6

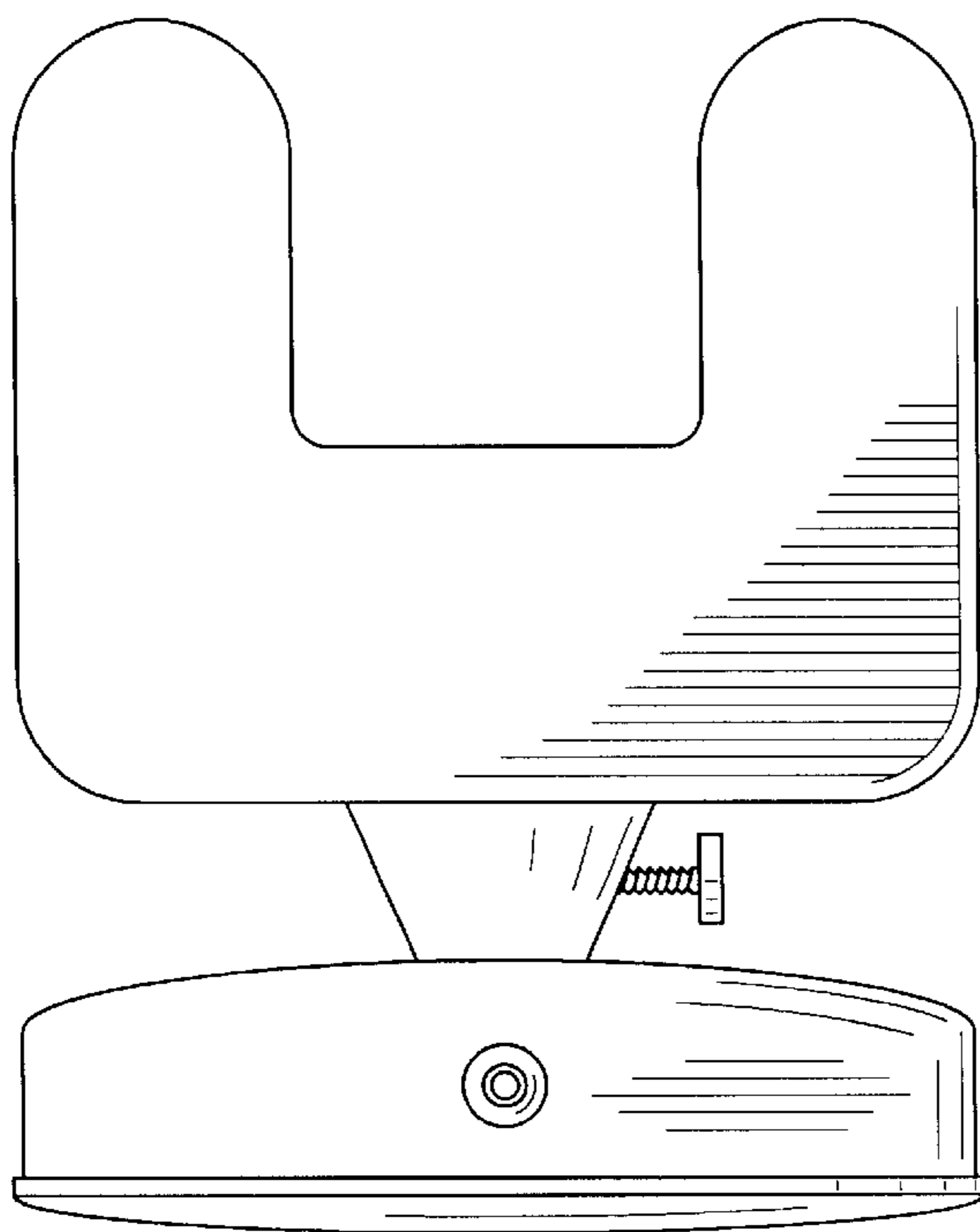


FIG. 7