



US00D461574S

(12) **United States Design Patent**
Helmke, III

(10) **Patent No.:** **US D461,574 S**

(45) **Date of Patent:** **** Aug. 13, 2002**

(54) **VEHICLE WARNING LIGHT**

D418,929 S * 1/2000 Allen D26/28

(76) Inventor: **Bernhardt Helmke, III**, 301 Dolphin Dr., Chalmette, LA (US) 70043

* cited by examiner

Primary Examiner—Marcus A. Jackson

(**) Term: **14 Years**

(57) **CLAIM**

(21) Appl. No.: **29/137,259**

The ornamental design for a vehicle warning light, as shown and described.

(22) Filed: **Feb. 16, 2001**

DESCRIPTION

(51) **LOC (7) Cl.** **26-04**

(52) **U.S. Cl.** **D26/28**

(58) **Field of Search** D26/28-36; 362/61, 362/80, 80.1, 83, 83.3, 240, 812; D10/109, 114

FIG. 1 is a top, front, right side perspective view of the vehicle warning light of the present invention;

FIG. 2 is a top, rear, right side perspective view of the vehicle warning light of FIG. 1;

FIG. 3 is a right side elevational view of the vehicle warning light of FIG. 1, the left view being a mirror image thereof; and,

FIG. 4 is a top plan view of the vehicle warning light of FIG. 1.

The broken lines showing of a rear car dash in FIG. 1 is for illustrative purposes only and form no part of the claimed design.

The bottom plan view is plain and unornamental and not part of the claimed design.

The slanted hatching in FIG. 1 indicates the color green.

The cross-hatching in FIG. 1 indicates the color yellow.

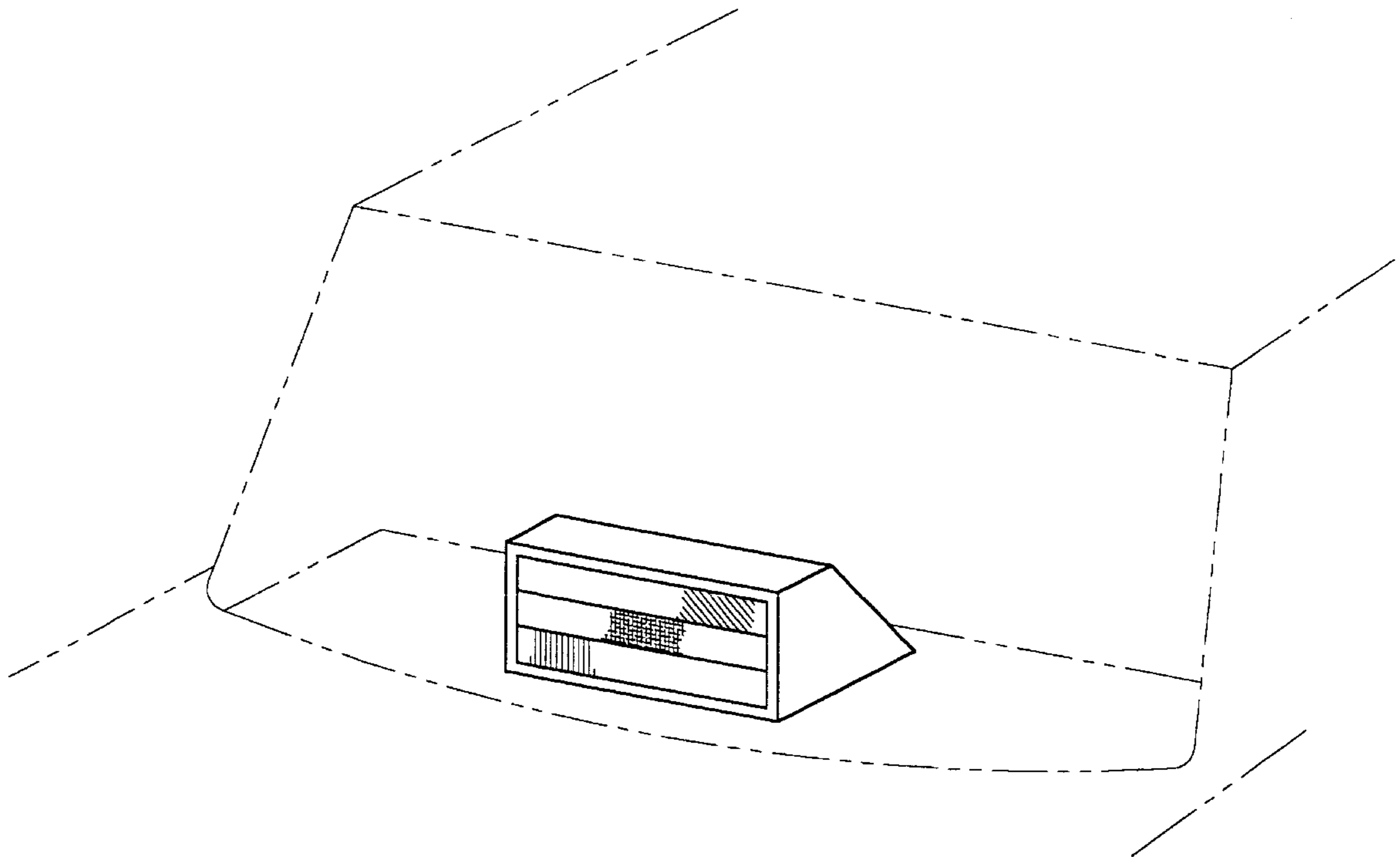
The vertical hatching in FIG. 1 indicates the color red.

(56) **References Cited**

U.S. PATENT DOCUMENTS

3,492,638 A	1/1970	Lane	
4,808,968 A	2/1989	Caine	
4,933,666 A	6/1990	Maple	
D316,230 S	4/1991	Munoz	
5,089,805 A	2/1992	Salsman	
D332,234 S	* 1/1993	Yuen	D26/28
D343,017 S	* 1/1994	Montgomery, II et al.	D26/35
5,444,620 A	8/1995	Yeh	
D381,923 S	* 8/1997	Rowe et al.	D26/28
5,663,707 A	9/1997	Bartilucci	
D393,913 S	* 4/1998	Edsall	D26/28

1 Claim, 3 Drawing Sheets



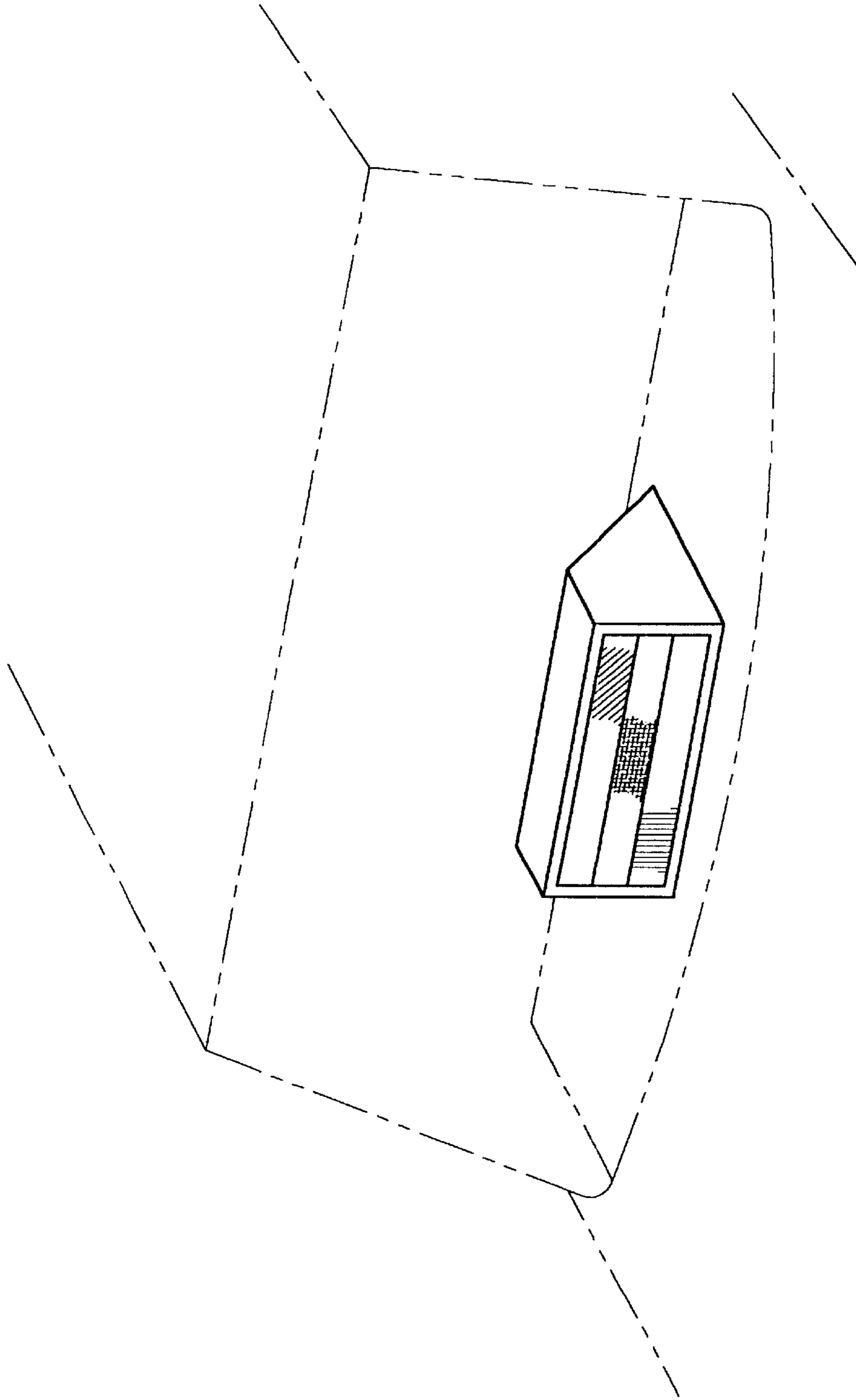


FIG. 1

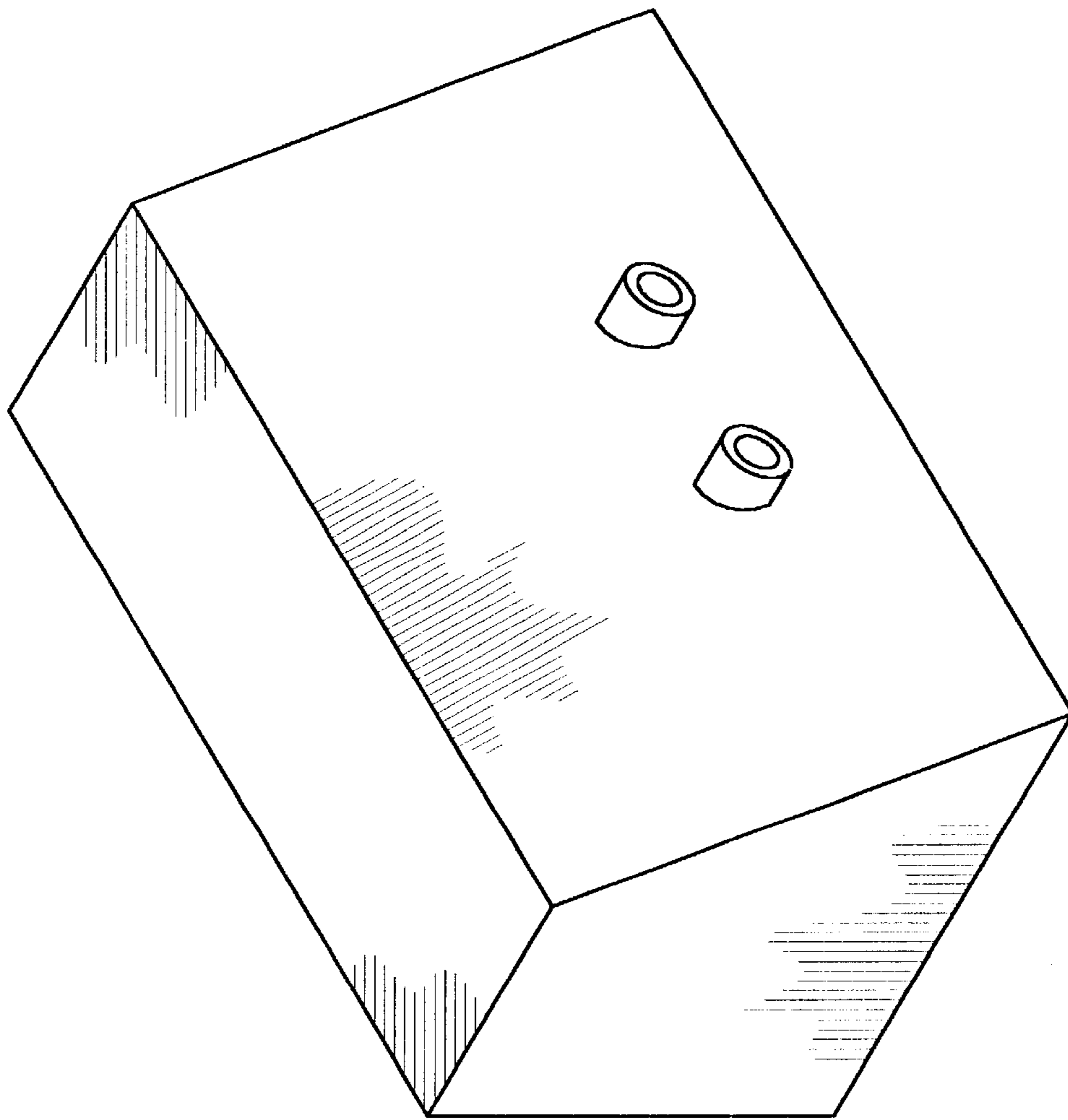


FIG. 2

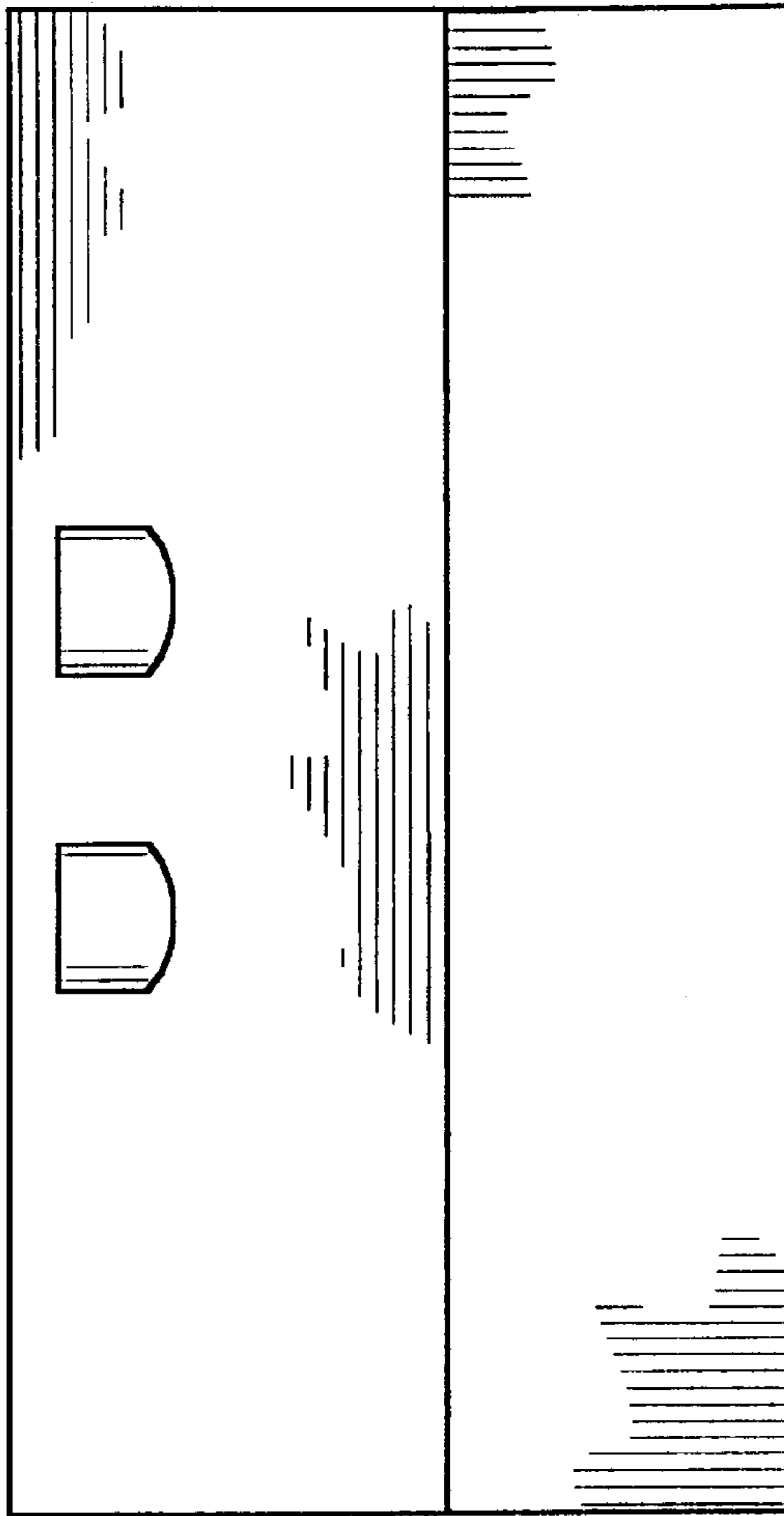


FIG. 3

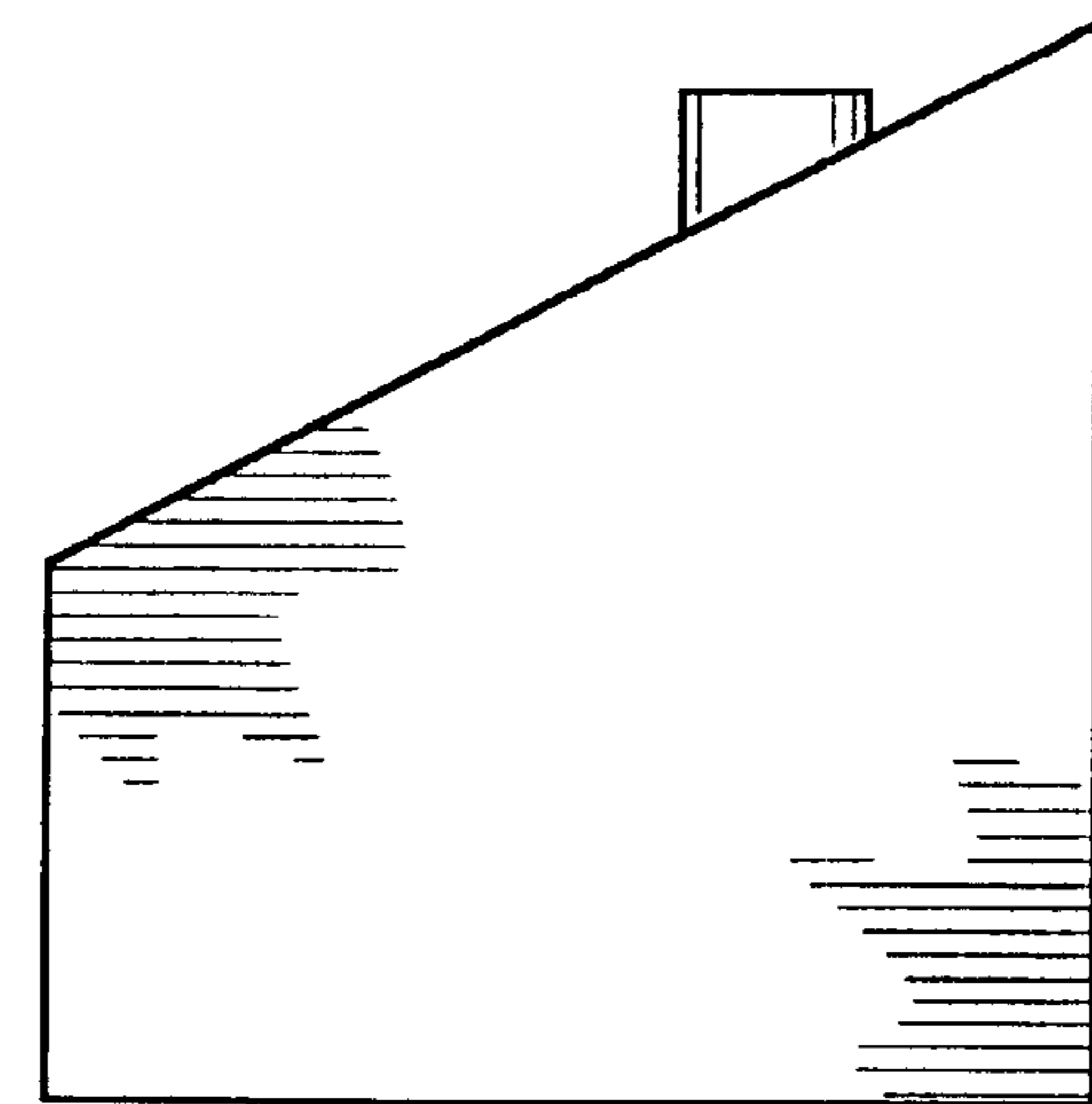


FIG. 4