



US00D461571S

(12) **United States Design Patent**
Ballard et al.

(10) **Patent No.:**

US D461,571 S

(45) **Date of Patent:**

**** Aug. 13, 2002**

(54) **WINDOW COMPONENT EXTRUSION**

D395,526 S * 6/1998 Porter et al. D25/124

(75) Inventors: **Christopher R. Ballard; Jonathan C. Hauberg**, both of Beaver creek, OH (US)

* cited by examiner

(73) Assignee: **Dayton Technologies, L.L.C.**, Monroe, OH (US)

Primary Examiner—Doris Clark

(74) *Attorney, Agent, or Firm*—Jacox, Meckstroth & Jenkins

(**) Term: **14 Years**

(57) **CLAIM**

(21) Appl. No.: **29/147,207**

The ornamental design of a window component extrusion, as shown and described.

(22) Filed: **Aug. 24, 2001**

(51) **LOC (7) Cl.** **25-01**

(52) **U.S. Cl.** **D25/124**

(58) **Field of Search** 52/204.5, 204.55, 52/204.56, 204.597, 204.6, 204.61, 204.63, 204.71, 656.7, 656.2, 656.5; 49/504, 505; D25/124, 125

DESCRIPTION

FIG. 1 is a perspective view of a window component extrusion, showing our new design, with a middle portion broken away to disclose indefinite length; and,

FIG. 2 is an end view thereof, the opposite end view being a mirror image.

(56) **References Cited**

U.S. PATENT DOCUMENTS

D345,019 S * 3/1994 Cole D25/124

1 Claim, 1 Drawing Sheet

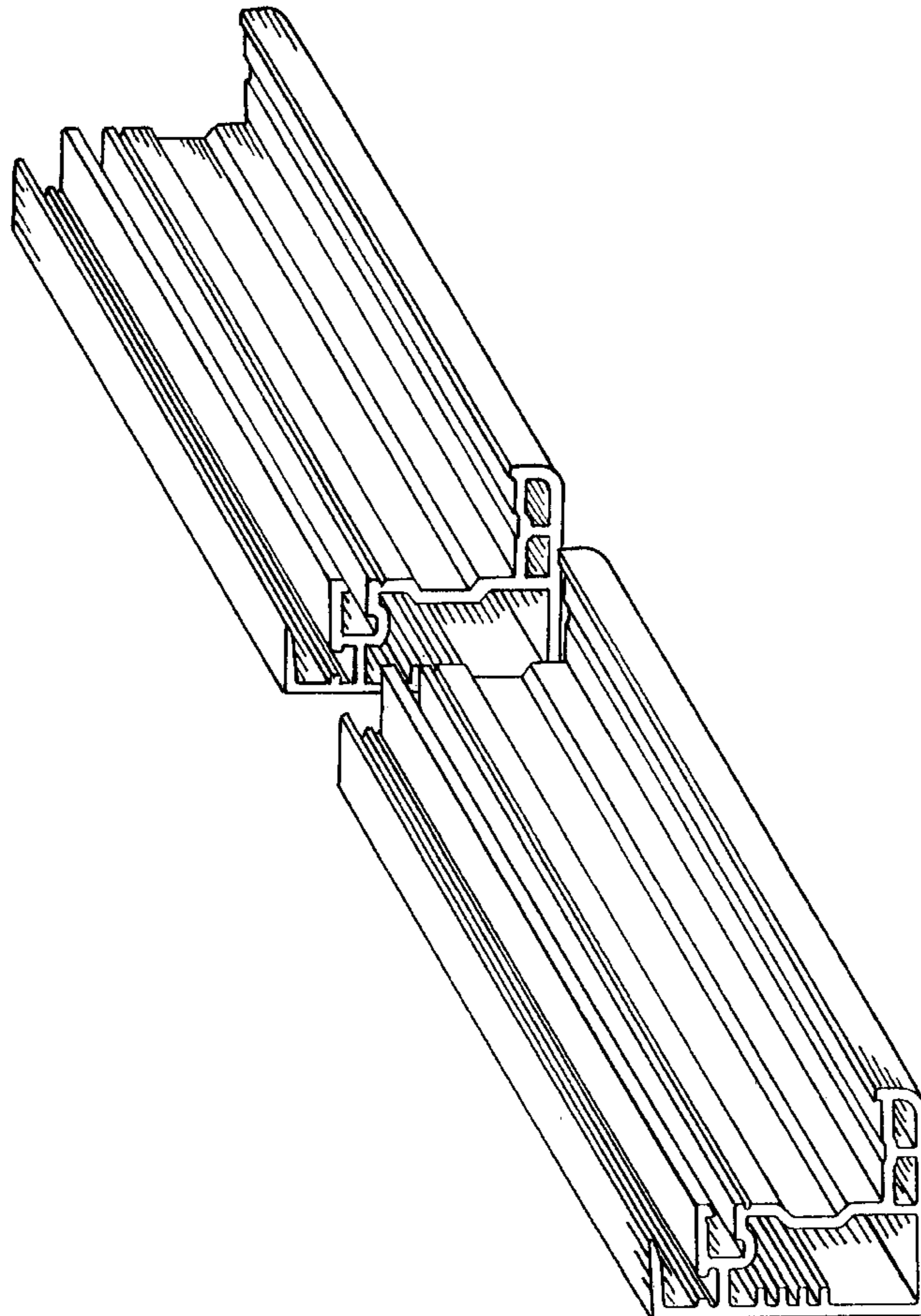


FIG-1

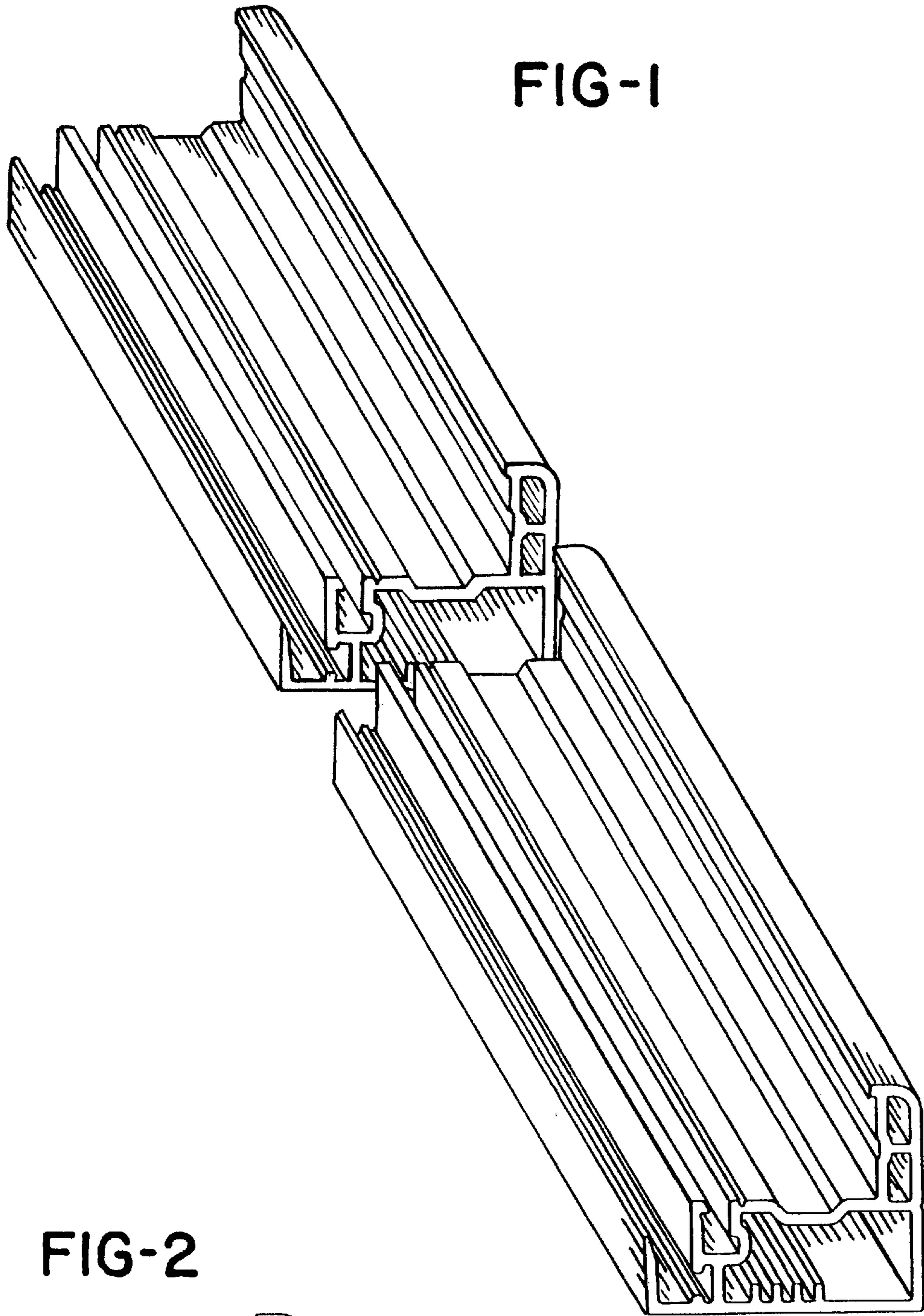


FIG-2

