



US00D461568S

(12) **United States Design Patent**
Forbis

(10) **Patent No.:** **US D461,568 S**

(45) **Date of Patent:** **** Aug. 13, 2002**

(54) **EXTERIOR SURFACE OF A FENCE RAIL**

(75) **Inventor:** **John T. Forbis, York, NE (US)**

(73) **Assignee:** **Kroy Building Products, Inc., York, NE (US)**

(**) **Term:** **14 Years**

(21) **Appl. No.:** **29/127,194**

(22) **Filed:** **Jul. 28, 2000**

Related U.S. Application Data

(60) Continuation of application No. 09/435,418, filed on Nov. 8, 1999, now Pat. No. 6,202,987, which is a continuation of application No. 09/238,754, filed on Jan. 28, 1999, now Pat. No. 6,041,486, which is a division of application No. 08/808,981, filed on Feb. 19, 1997, now Pat. No. 5,988,599.

(51) **LOC (7) Cl.** **25-01**

(52) **U.S. Cl.** **D25/121**

(58) **Field of Search** D25/38, 41-44,
D25/164, 121; 52/730.3, 730.4, 730.5, 731.2,
732.1, 731.3, 732.2, 720.2; 256/59, 65,
21, 19

(56) **References Cited**

U.S. PATENT DOCUMENTS

D199,024 S	9/1964	Huret	
D199,392 S	* 10/1964	Van Riper D25/41
D210,519 S	3/1968	Kusel et al.	
3,395,489 A	8/1968	Banse	
3,454,262 A	7/1969	Romano	
3,522,933 A	8/1970	Braun	
3,648,981 A	3/1972	Allen	
3,712,590 A	1/1973	Tochner et al. 256/34
3,822,053 A	7/1974	Daily	
3,924,834 A	12/1975	Young	
3,955,799 A	5/1976	Lauzier	
4,007,919 A	2/1977	Totten	
D244,500 S	5/1977	Copeland	
4,027,855 A	6/1977	Lauzier 256/65 X
4,188,019 A	2/1980	Meredith 2256/73 X

4,202,532 A	5/1980	Mills	
4,346,872 A	8/1982	Toruya	
4,585,214 A	4/1986	Cope	
4,623,128 A	11/1986	Dutch et al.	
4,809,955 A	3/1989	Veilleux	
4,962,914 A	10/1990	Taylor	
5,011,325 A	4/1991	Antonioli 256/13.1
5,192,056 A	3/1993	Espinueva	
5,200,240 A	4/1993	Baker 256/73 X
5,215,290 A	6/1993	Khalessi	
D347,699 S	6/1994	Krueger	
5,480,126 A	1/1996	Teasdale	
5,613,664 A	3/1997	Svalbe	
D382,978 S	8/1997	Gearing	
5,702,090 A	12/1997	Edgman	
D396,308 S	7/1998	Hägglund	
5,938,184 A	8/1999	DeSouza	
D416,333 S	11/1999	Stansfield	

* cited by examiner

Primary Examiner—Doris Clark

(74) *Attorney, Agent, or Firm*—Clayton, Howarth & Cannon, P.C.

(57) **CLAIM**

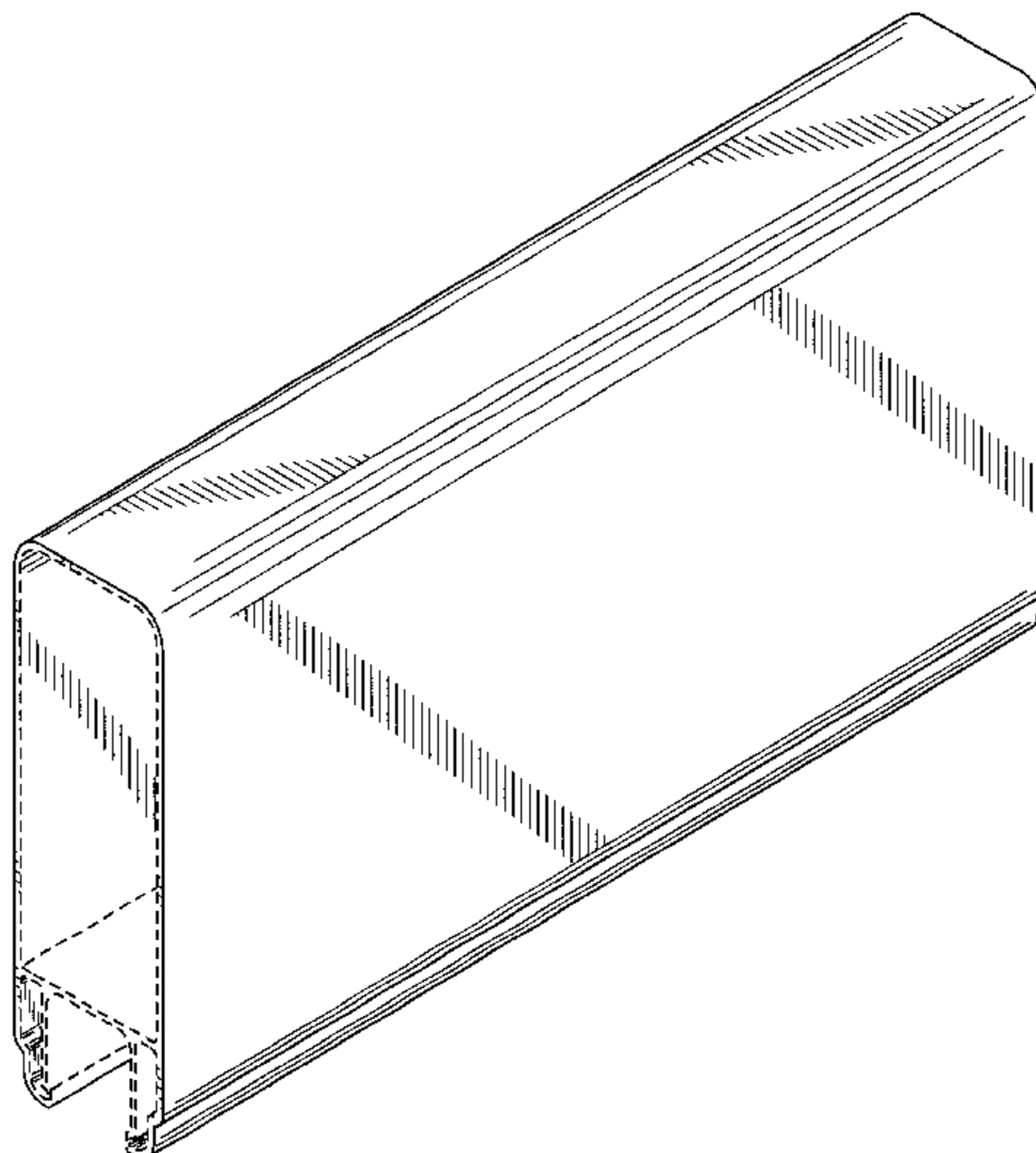
I claim the ornamental design for an exterior surface of a fence rail, as shown and described.

DESCRIPTION

FIG. 1 is a perspective view thereof;
FIG. 2 is a front view thereof;
FIG. 3 is a rear view thereof;
FIG. 4 is a right side view thereof;
FIG. 5 is a left side view thereof;
FIG. 6 is a top view thereof; and,
FIG. 7 is a bottom view thereof.

The broken line showing of a horizontal internal support wall and opposing vertical channel walls is for illustrative purposes only and forms no part of the claimed design. The drawings depict the design of section of a fence rail, and no limitations on length or size are intended thereby.

1 Claim, 4 Drawing Sheets



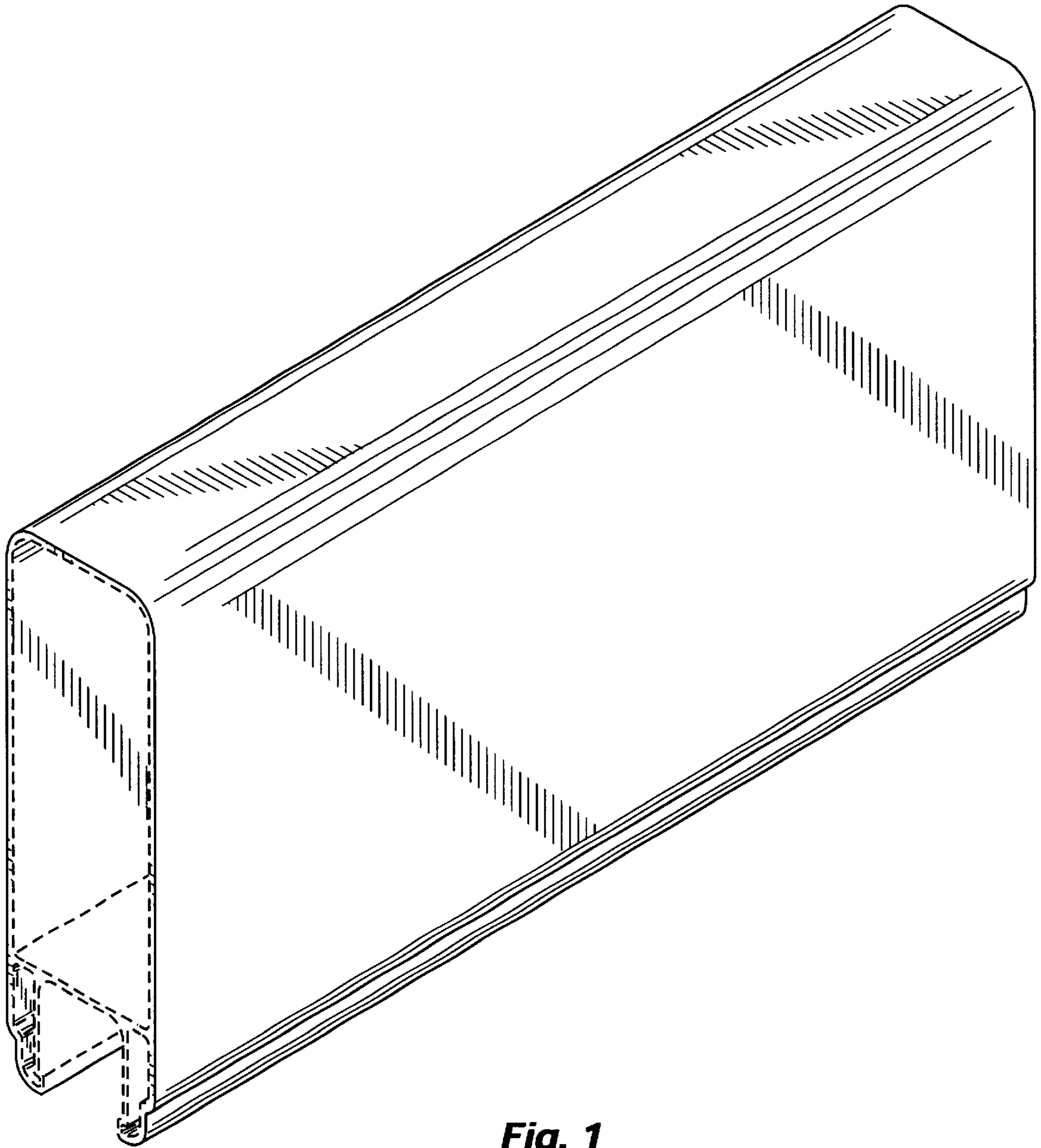


Fig. 1

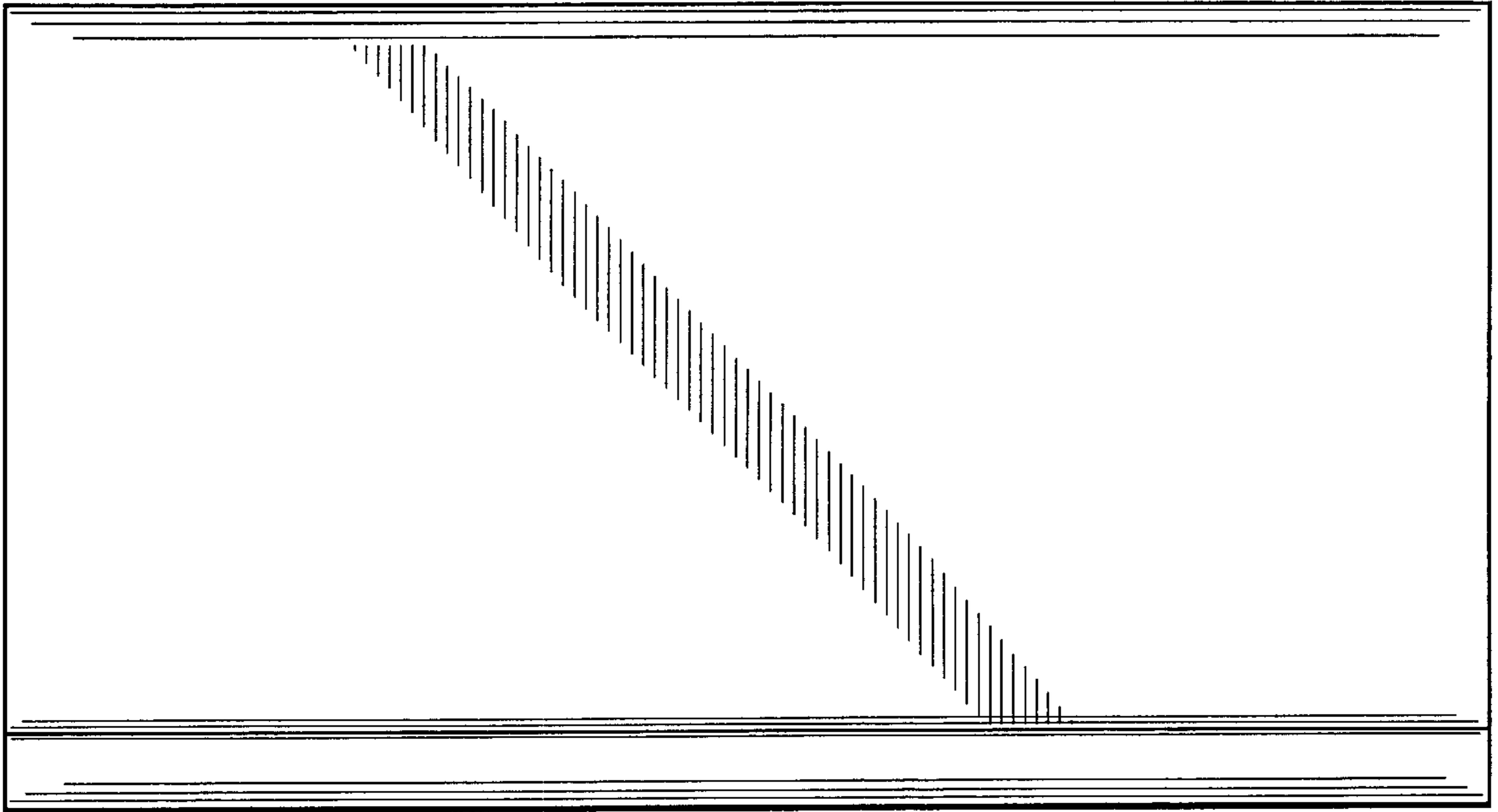


Fig. 2

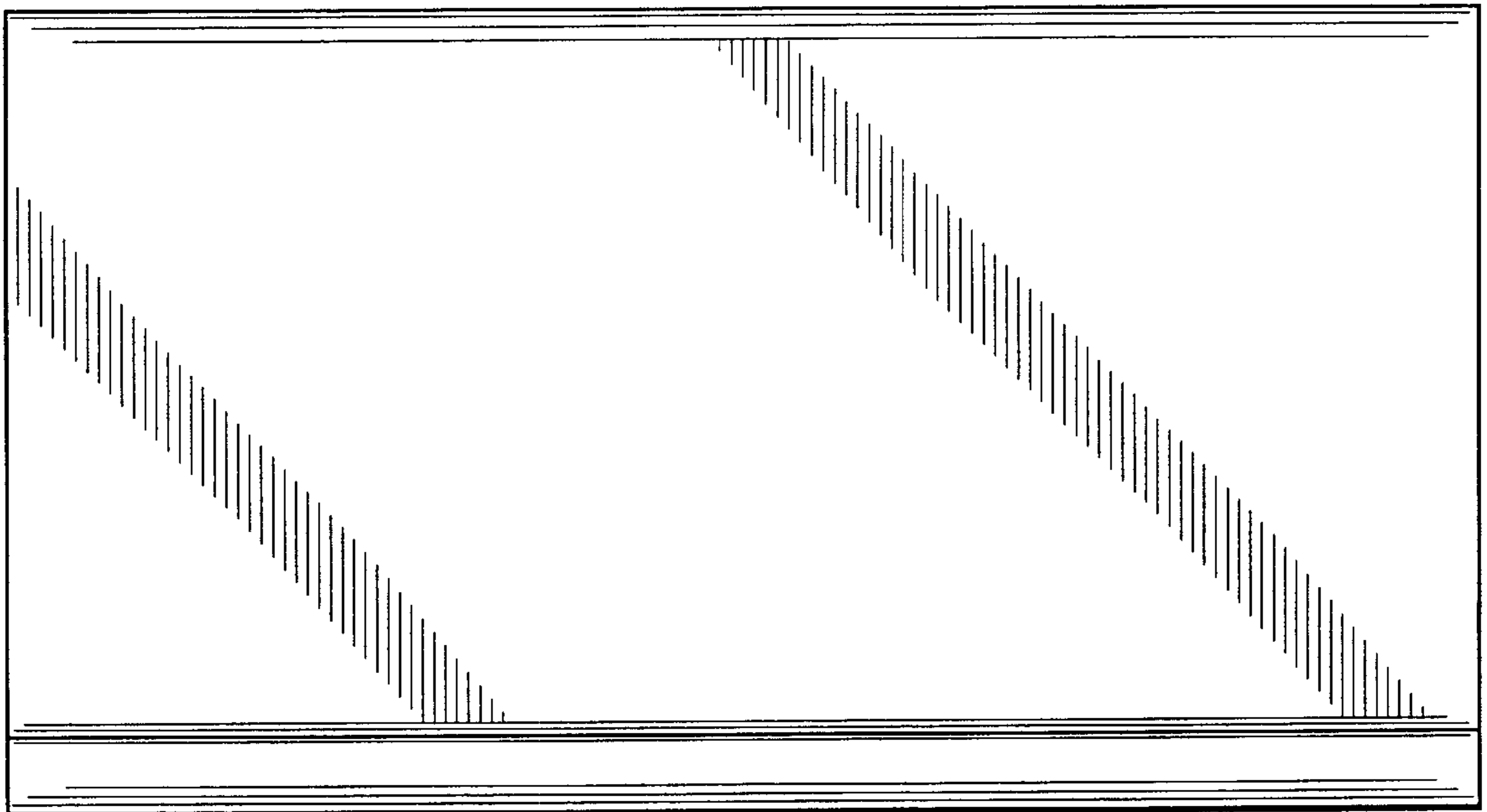


Fig. 3

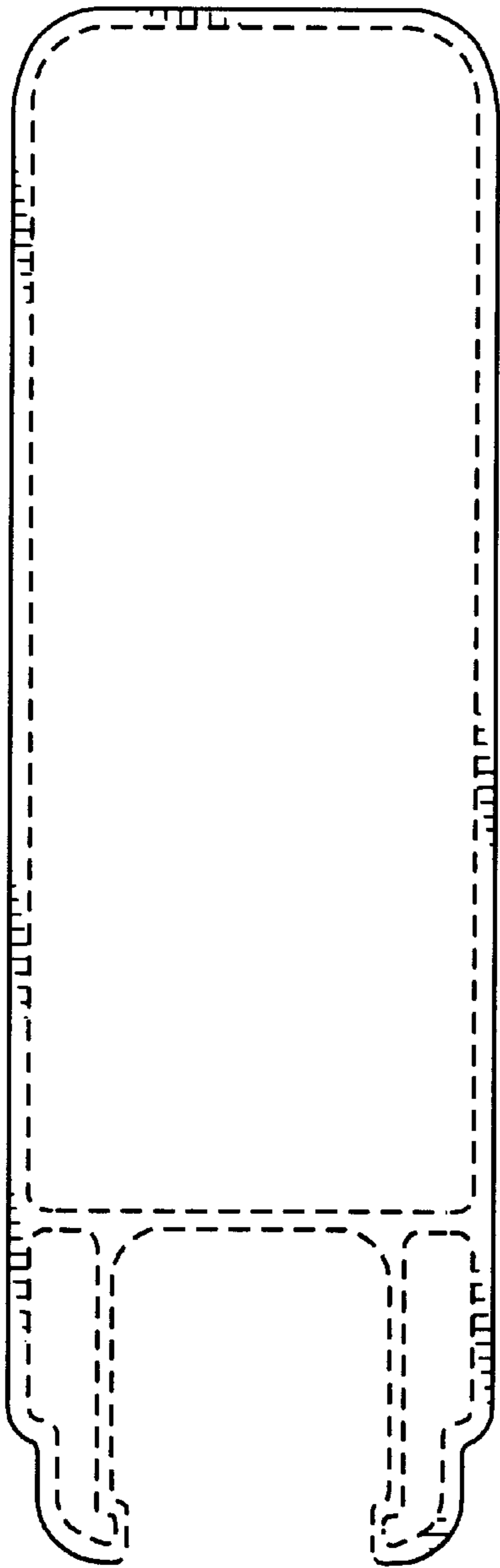


Fig. 4

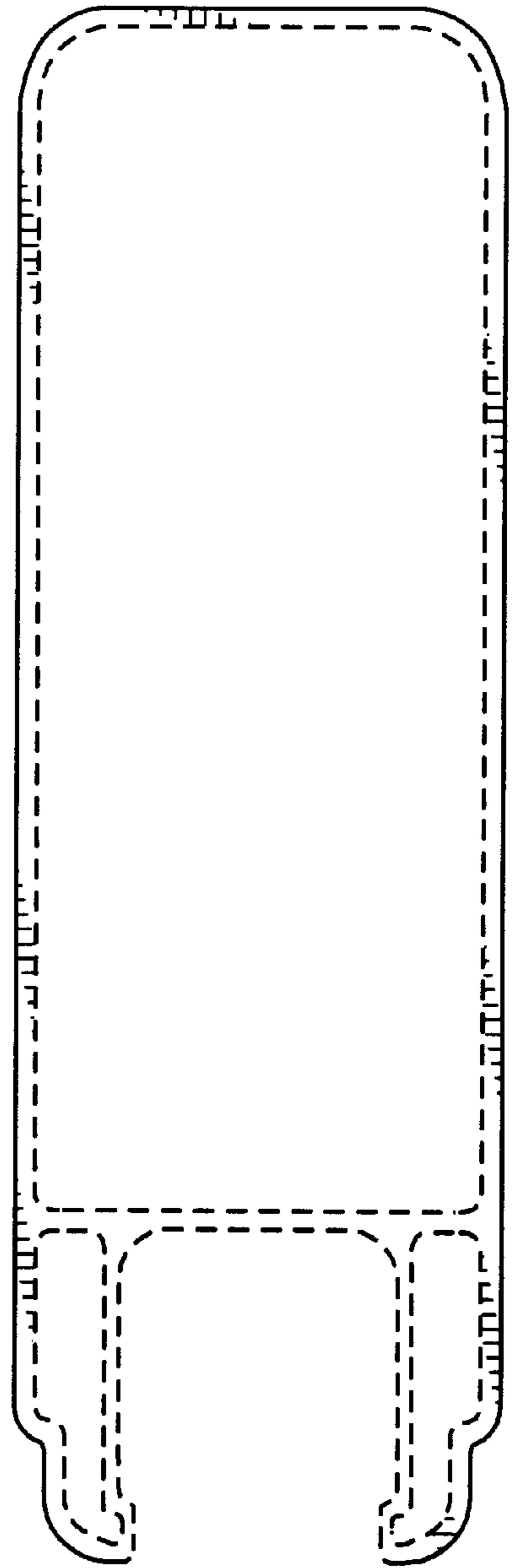


Fig. 5

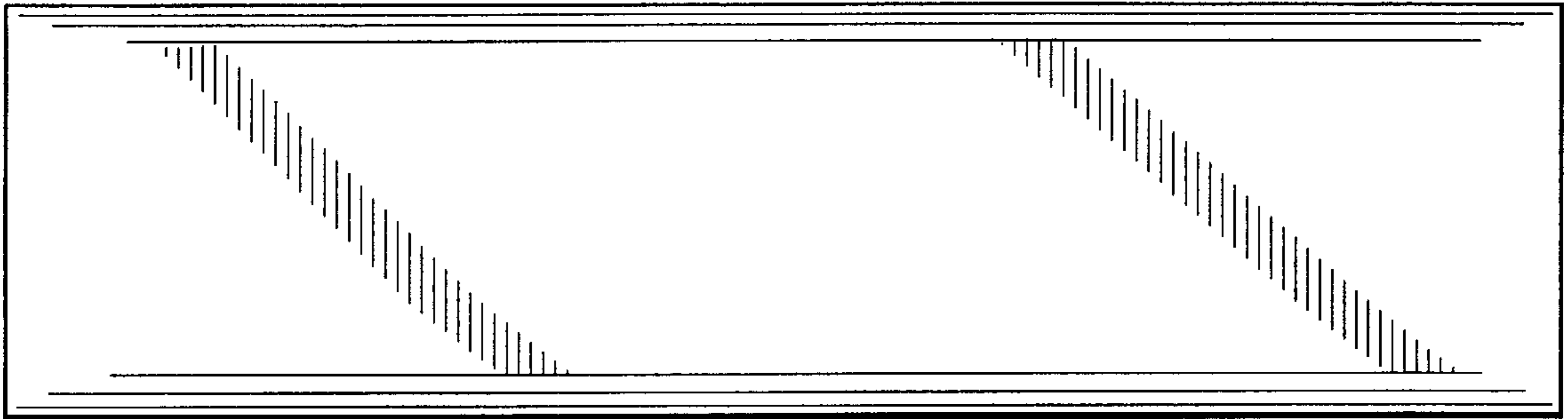


Fig. 6

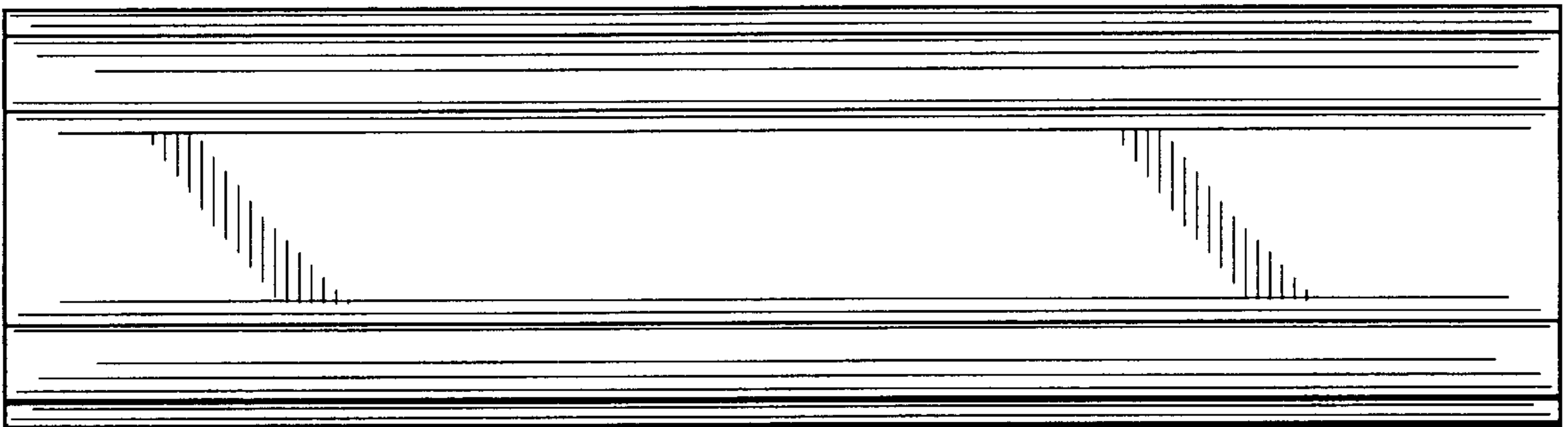


Fig. 7