



US00D461567S

(12) **United States Design Patent**
Ogawa

(10) **Patent No.:** **US D461,567 S**

(45) **Date of Patent:** **** Aug. 13, 2002**

(54) **BLOCK FOR A FLOWER BED**

(76) Inventor: **Katsumasa Ogawa**, 3-2-22, Soja,
Soja-shi Okayama (JP)

(**) Term: **14 Years**

(21) Appl. No.: **29/146,164**

(22) Filed: **Aug. 3, 2001**

(51) **LOC (7) Cl.** **25-01**

(52) **U.S. Cl.** **D25/118**

(58) **Field of Search** D25/102, 112-118,
D25/199, 164; D21/484-486, 499-505;
405/284, 16, 272-273; 404/17-21, 29-30,
37-42; 52/102, 574-581, 596, 598-599,
603-612

(56) **References Cited**

U.S. PATENT DOCUMENTS

595,169 A * 12/1897 Hanson 52/575 X
D301,064 S * 5/1989 Forsberg D25/116
D304,501 S * 11/1989 VanWassehnova et al. D25/114

D353,894 S * 12/1994 Nelson et al. D25/118
D391,376 S * 2/1998 Strand et al. D25/113
6,295,772 B1 * 10/2001 Whitson D25/118 X

* cited by examiner

Primary Examiner—Louis S. Zarfes

Assistant Examiner—Robert A. Delehanty

(74) *Attorney, Agent, or Firm*—Flynn, Thiel, Boutell &
Tanis, P.C.

(57) **CLAIM**

The ornamental design for a block for a flower bed, as shown
and described.

DESCRIPTION

FIG. 1 is a front elevational view of a block for a flower bed
showing my new design;

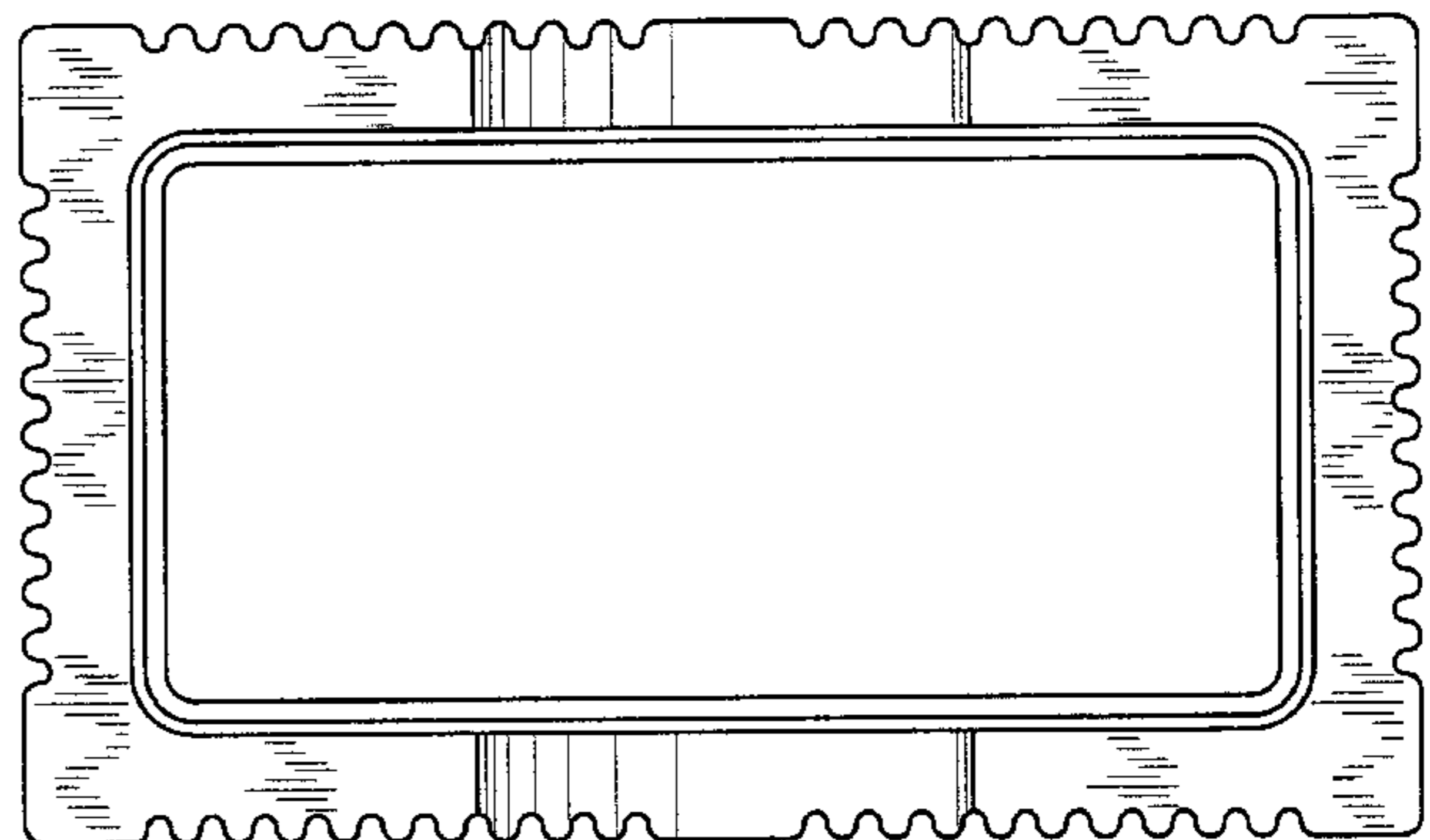
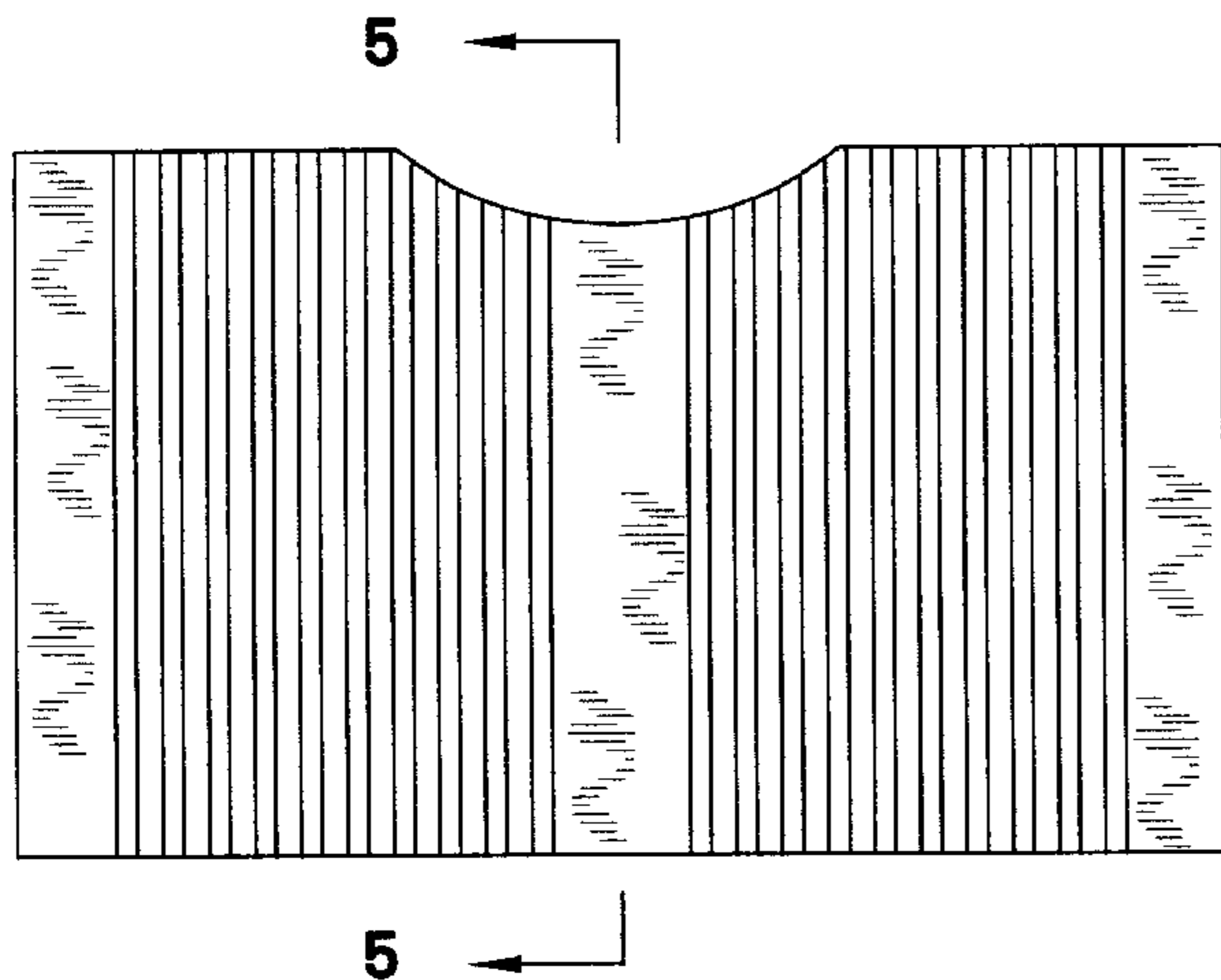
FIG. 2 is a right side elevational view thereof;

FIG. 3 is a top plan view thereof;

FIG. 4 is a bottom plan view thereof; and,

FIG. 5 is a sectional view taken along line 5—5 of FIG. 1.

1 Claim, 3 Drawing Sheets



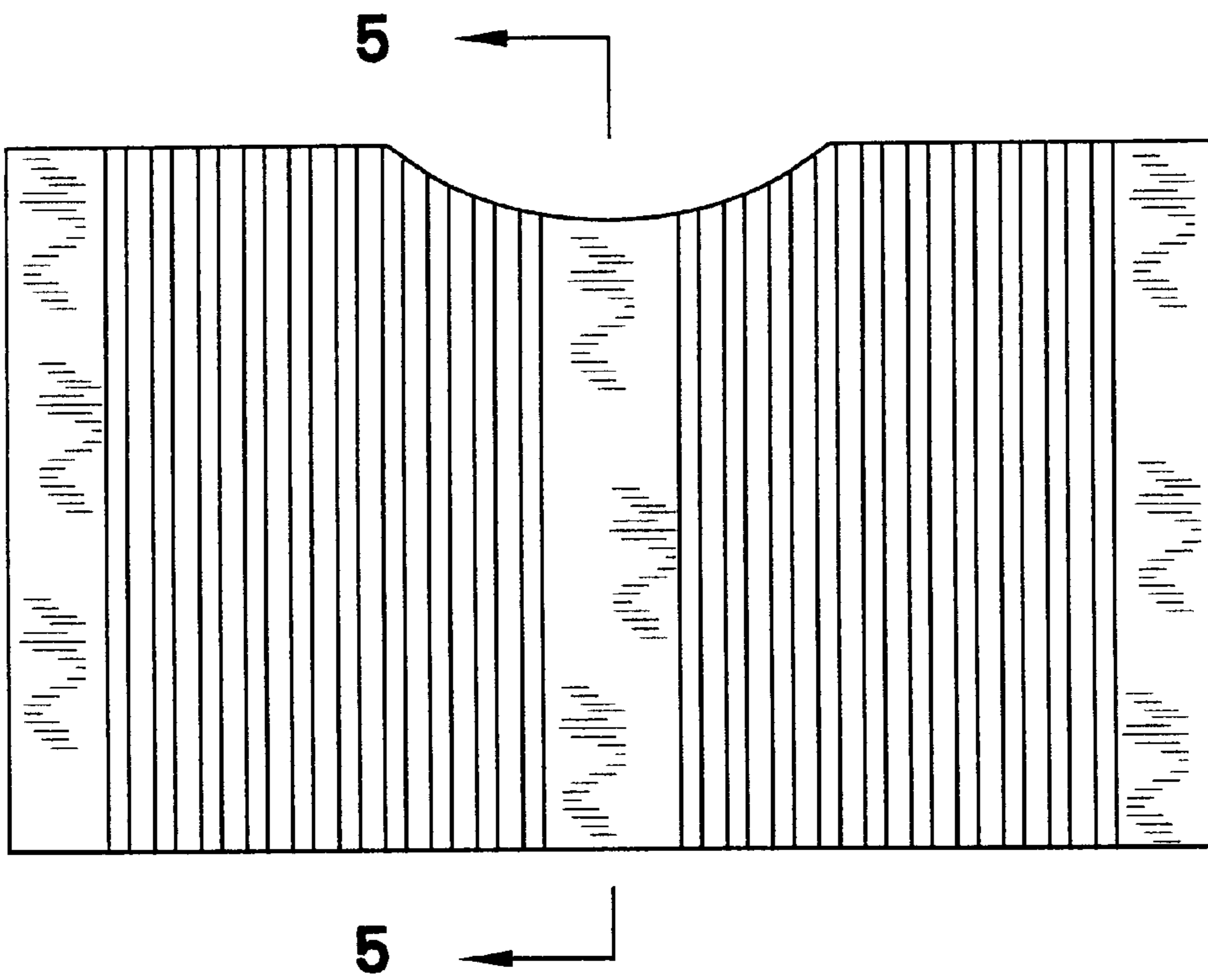


FIG. 1

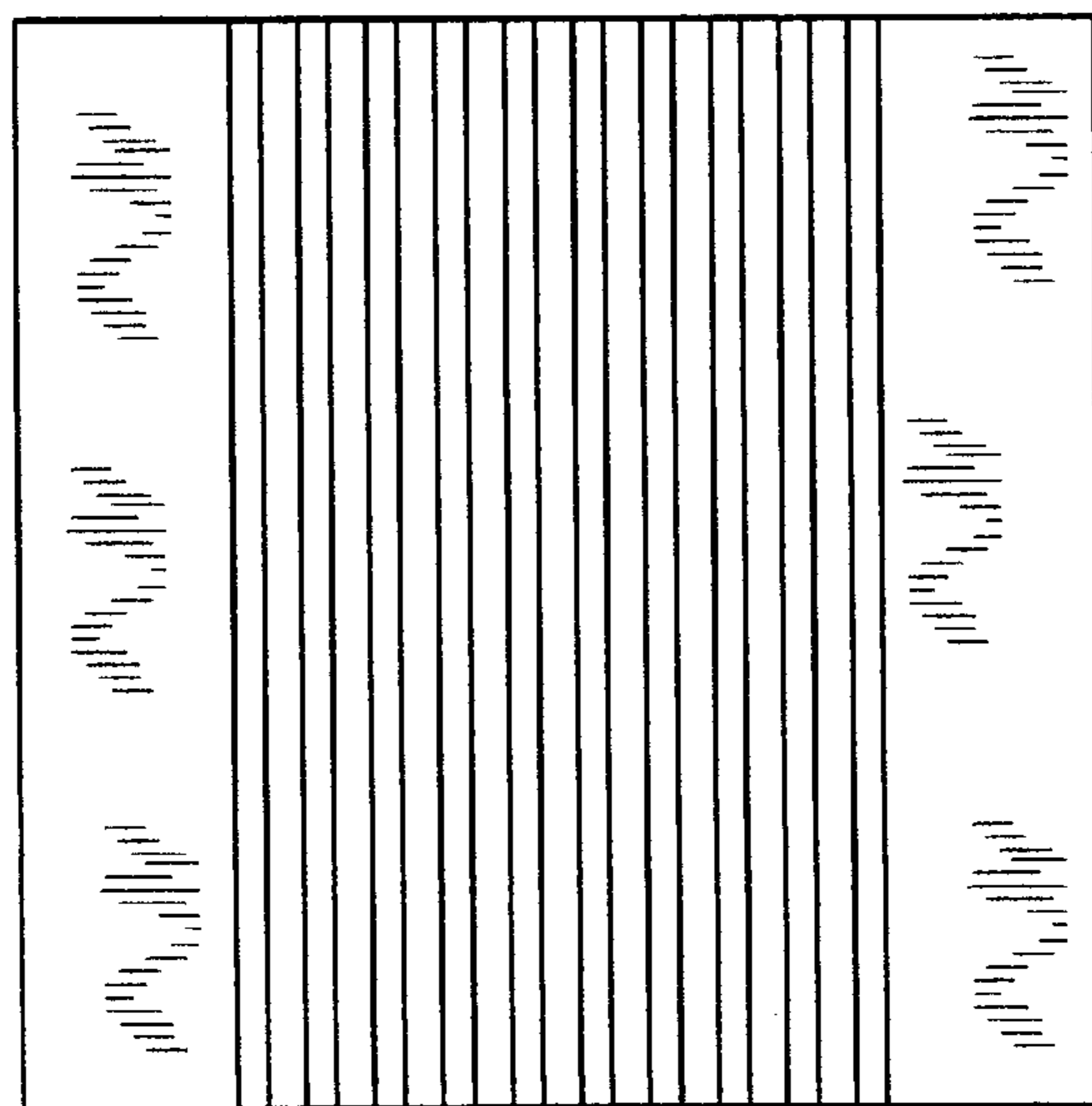


FIG. 2

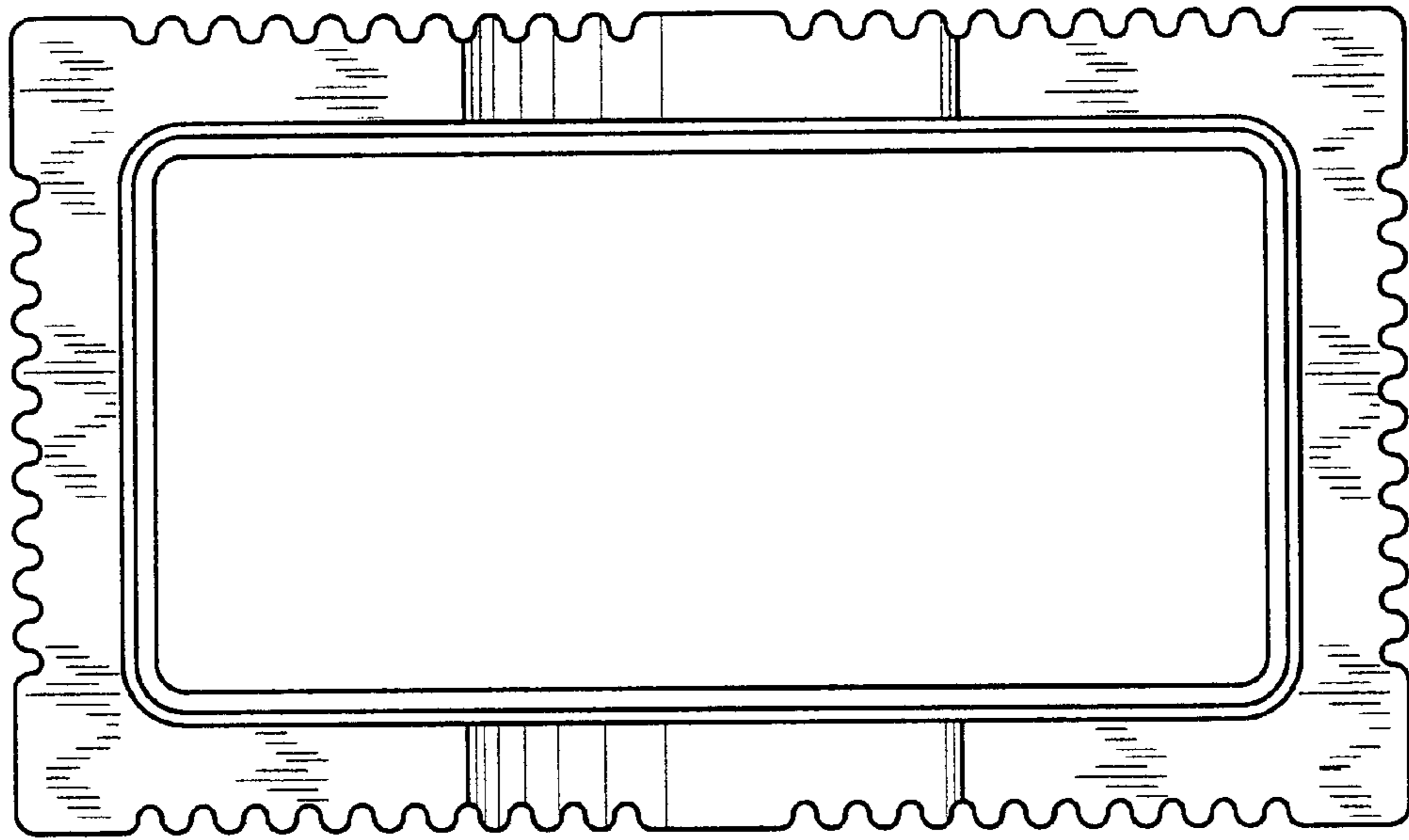


FIG. 3

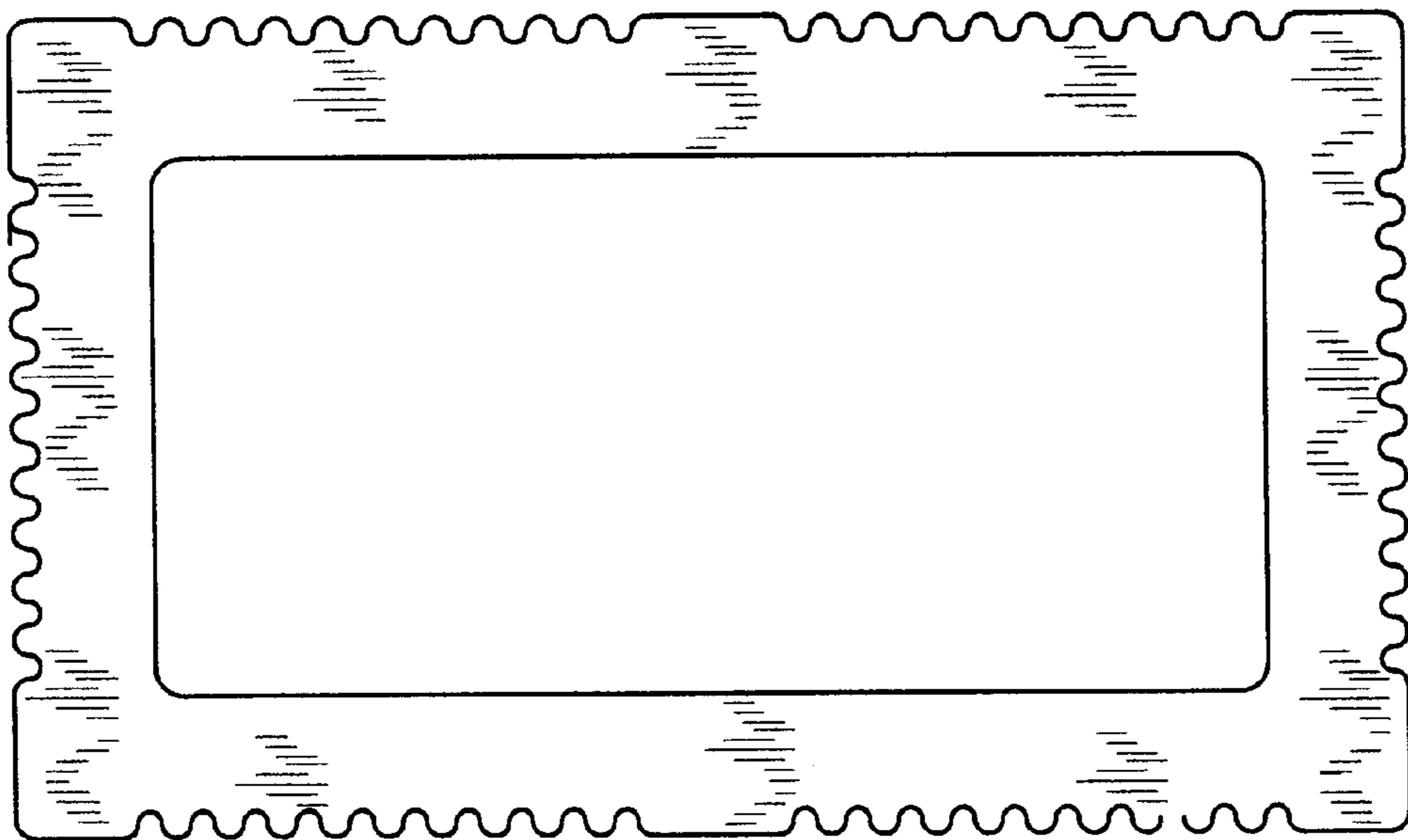


FIG. 4

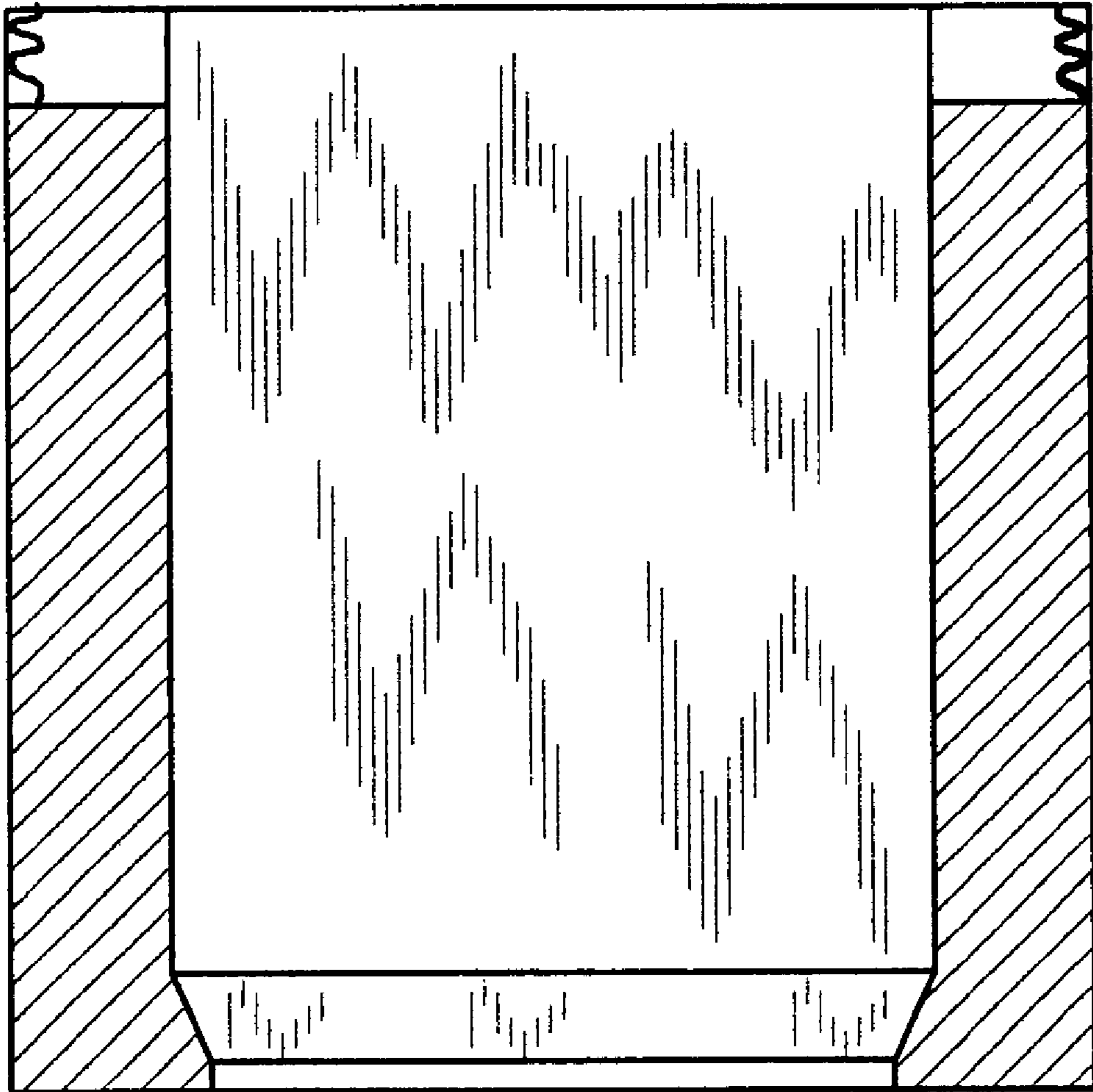


FIG. 5