

US00D461560S

(12) **United States Design Patent**
Hegland

(10) **Patent No.:** **US D461,560 S**

(45) **Date of Patent:** **** Aug. 13, 2002**

(54) **IMPLANTABLE THERAPEUTIC SUBSTANCE DELIVERY DEVICE**

(75) Inventor: **Michael Thomas Hegland**, Mounds View, MN (US)

(73) Assignee: **Medtronic, Inc.**, Minneapolis, MN (US)

(**) Term: **14 Years**

(21) Appl. No.: **29/139,931**

(22) Filed: **Apr. 9, 2001**

(51) **LOC (7) Cl.** **24-04**

(52) **U.S. Cl.** **D24/189**

(58) **Field of Search** D24/189; 604/891.1, 604/175, 153, 154, 141, 121, 93, 132, 134; 128/DIG. 12

(56) **References Cited**

U.S. PATENT DOCUMENTS

4,525,164 A *	6/1985	Loeb et al.	604/131
4,772,263 A	9/1988	Dorman et al.	
5,167,633 A	12/1992	Mann et al.	
5,176,644 A	1/1993	Srisathapat et al.	
5,328,465 A	7/1994	Kratoska et al.	
5,336,194 A *	8/1994	Polaschegg et al.	604/175
5,382,236 A	1/1995	Otto et al.	
D361,617 S	8/1995	Sancoff et al.	
5,460,618 A	10/1995	Harreld	
D366,702 S	1/1996	Kirk, III et al.	

5,514,103 A	5/1996	Srisathapat et al.	
5,527,307 A	6/1996	Srisathapat et al.	
D384,745 S	10/1997	Lattin et al.	
5,814,019 A	9/1998	Steinbach et al.	
5,820,589 A	10/1998	Torgerson et al.	
D404,482 S	1/1999	Falk et al.	
D405,524 S	2/1999	Falk et al.	
6,099,495 A *	8/2000	Kinghorn et al.	604/93
6,113,572 A *	9/2000	Gailey et al.	604/93
6,264,634 B1 *	7/2001	Yamazaki	604/131

OTHER PUBLICATIONS

Brochure, "Implantable Infusion Pump ANSCHÜtz Model IP 35.1", *Tricumed GmbH*, 30 pgs. (Date Unknown).

* cited by examiner

Primary Examiner—Stella Reid

(74) *Attorney, Agent, or Firm*—Thomas G. Berry; Eric R. Waldkoetter

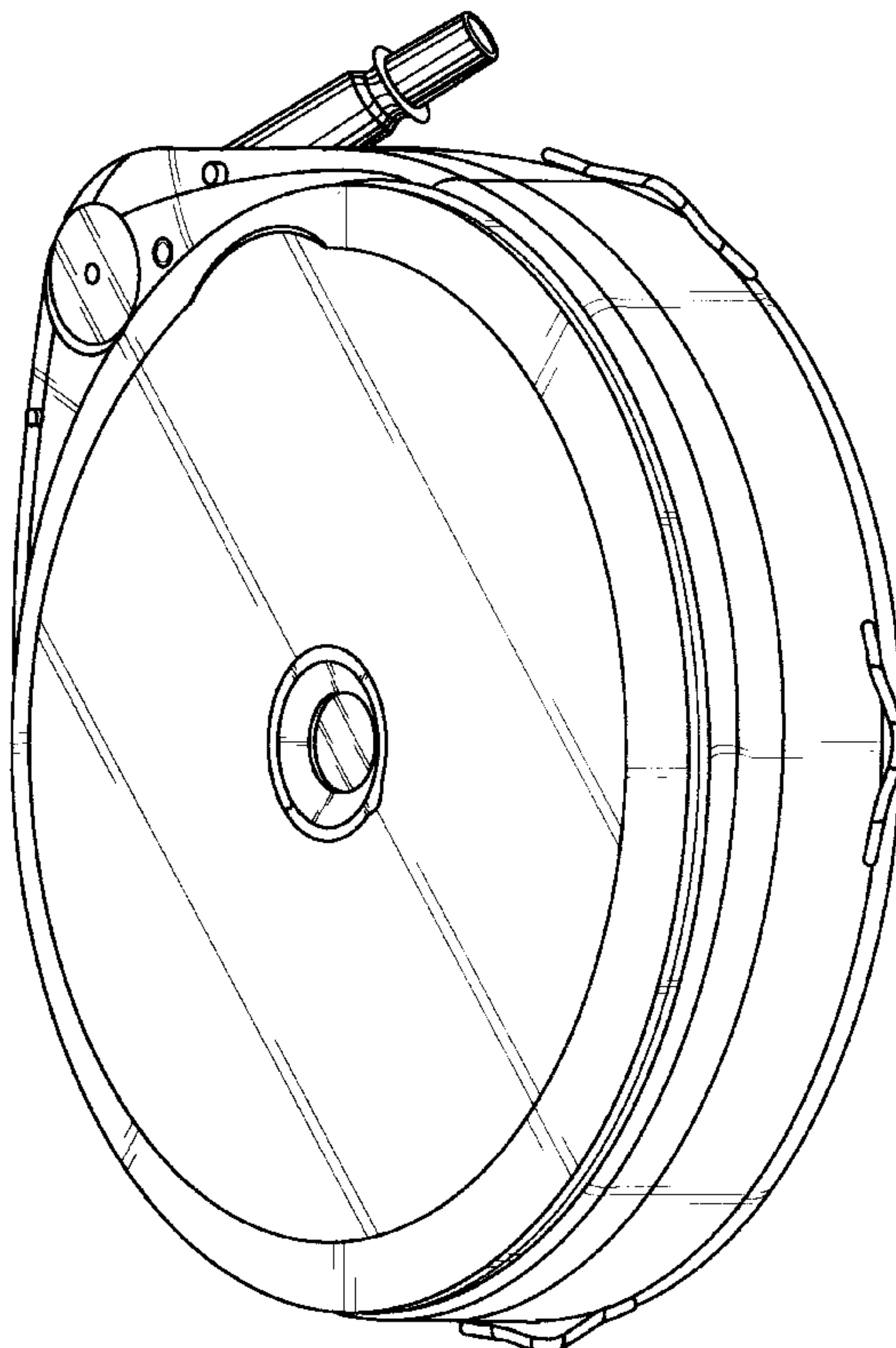
(57) **CLAIM**

The ornamental design for an implantable therapeutic substance delivery device, as shown and described.

DESCRIPTION

FIG. 1 shows a perspective view of the design invention; FIG. 2 shows another perspective view; FIG. 3 shows a top view; FIG. 4 shows a back view; and, FIG. 5 shows a side view.

1 Claim, 5 Drawing Sheets



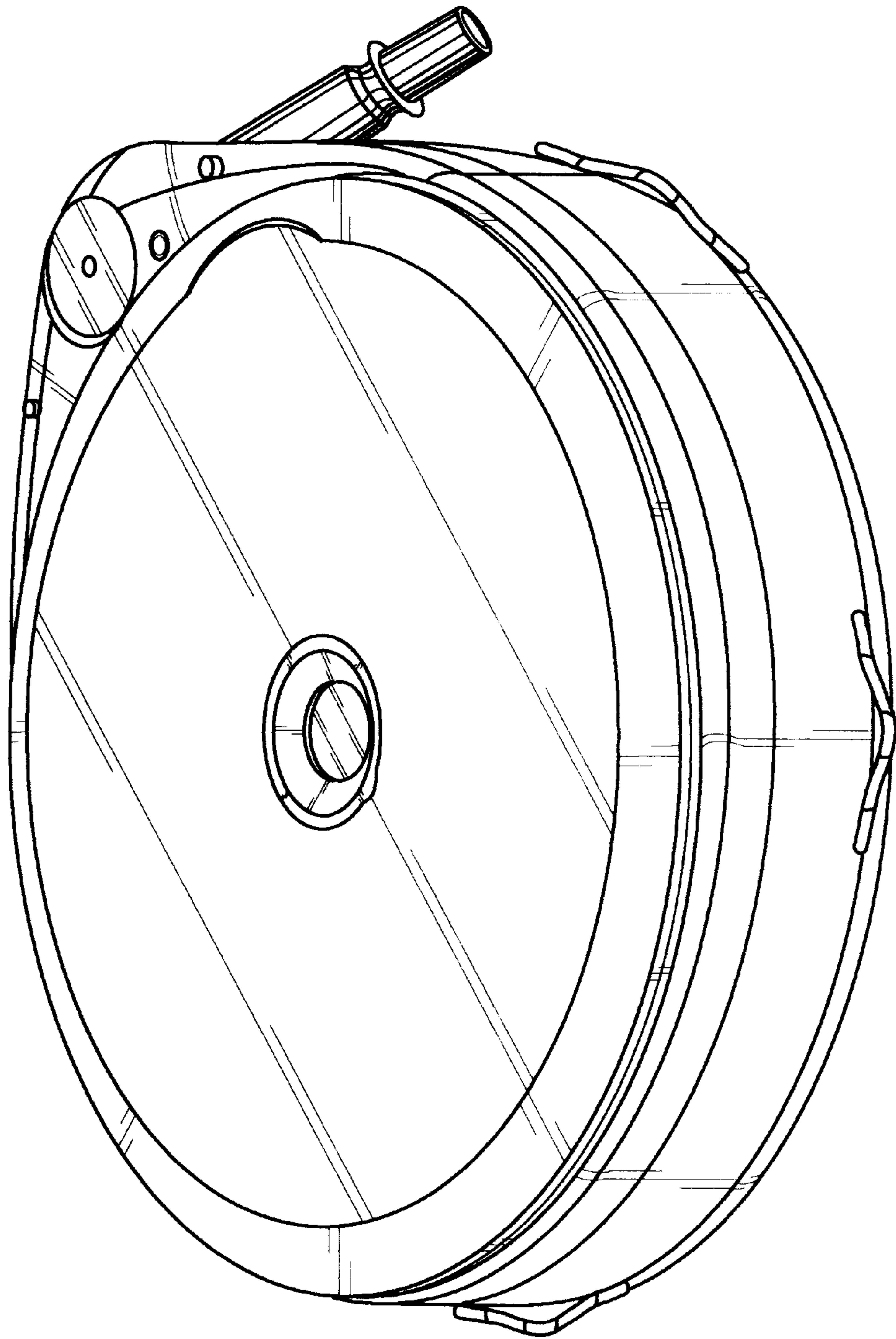


FIG. 1

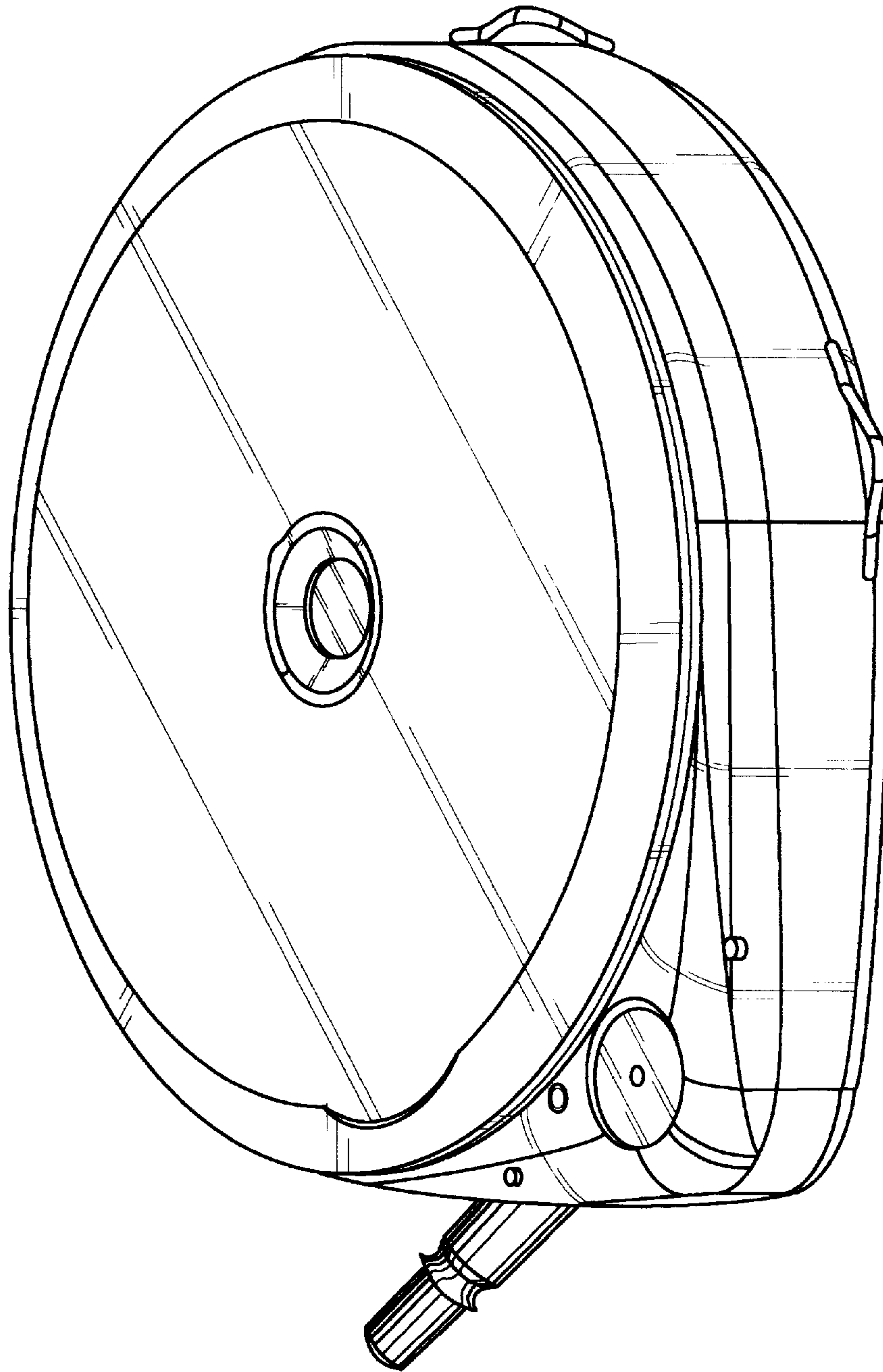


FIG. 2

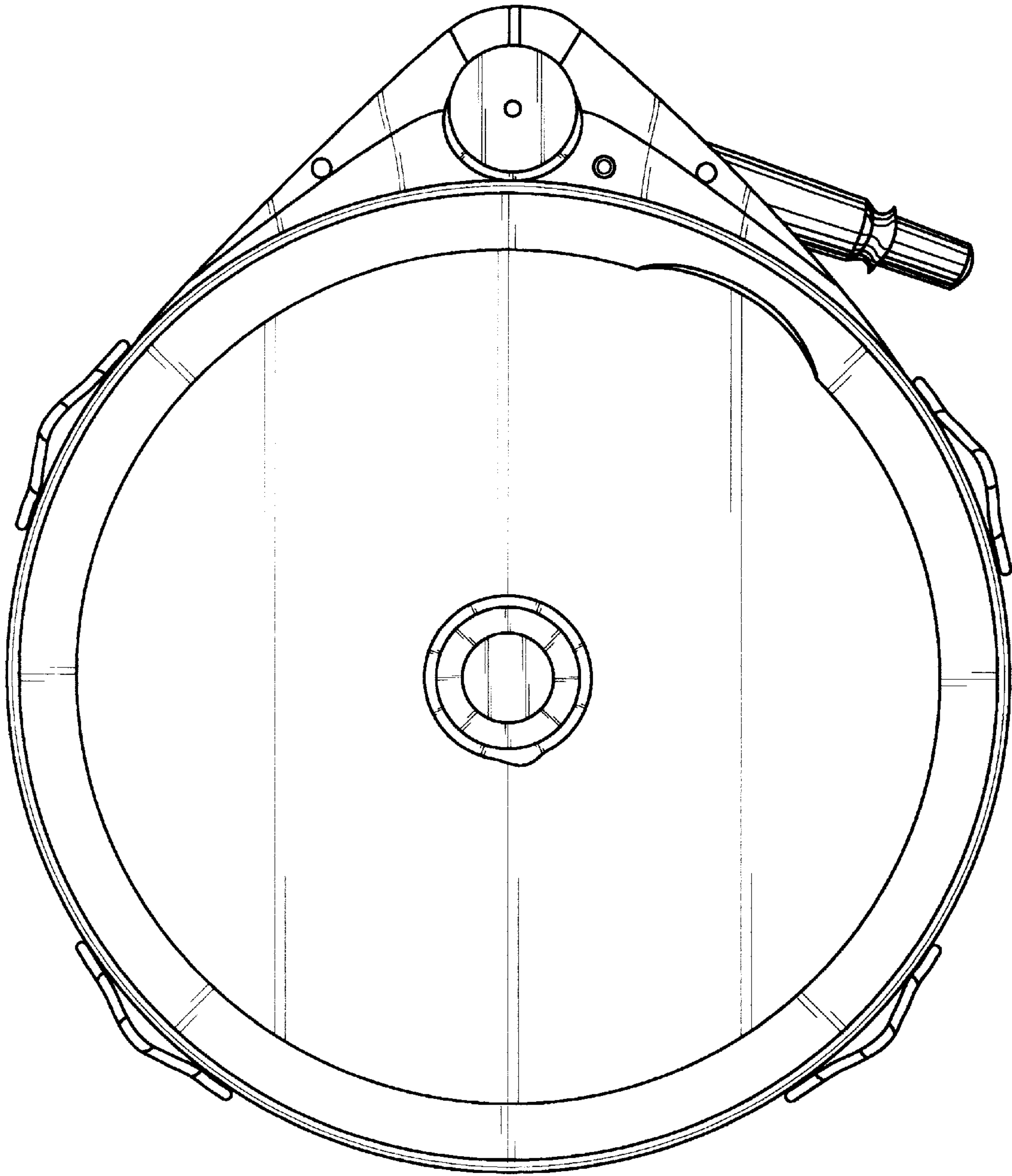


FIG. 3

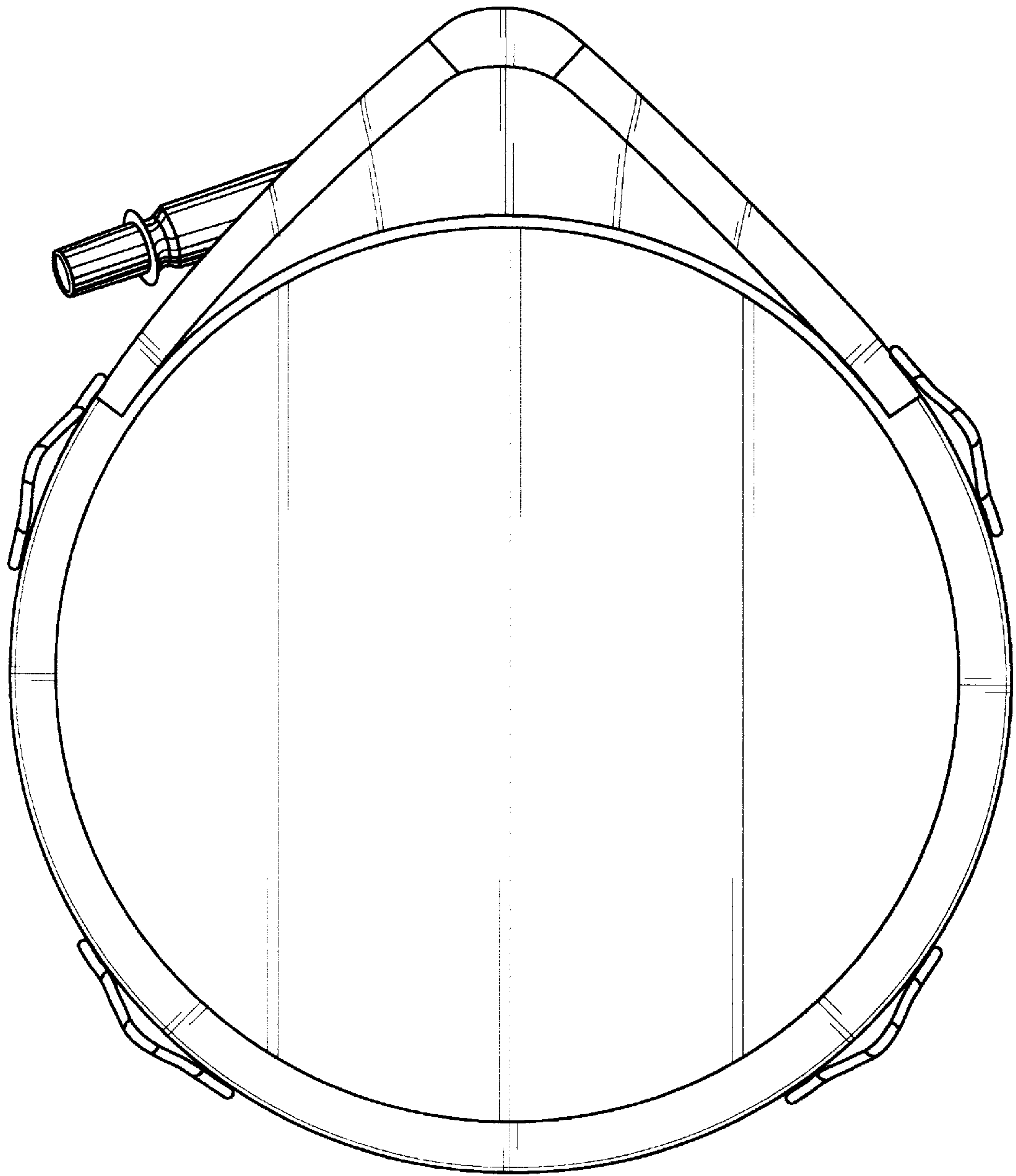


FIG. 4

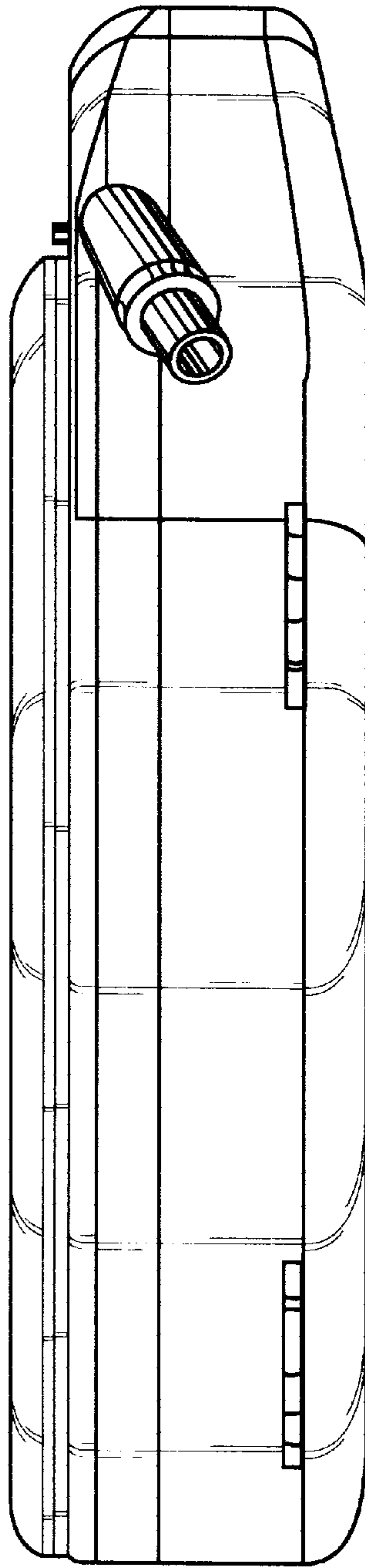


FIG. 5