



US00D461558S

(12) **United States Design Patent**
Schiavoni

(10) **Patent No.:** **US D461,558 S**

(45) **Date of Patent:** **** Aug. 13, 2002**

(54) **RESILIENT CHEWING DEVICE**

Primary Examiner—Antoine Duval Davis
(74) *Attorney, Agent, or Firm*—O’Connell Law Firm

(76) **Inventor:** **Mary E. Schiavoni**, P.O. Box 2289,
South Portland, ME (US) 04106

(**) **Term:** **14 Years**

(57) **CLAIM**

The ornamental design for a resilient chewing device, as shown and described.

(21) **Appl. No.:** **29/139,306**

(22) **Filed:** **Mar. 28, 2001**

DESCRIPTION

(51) **LOC (7) Cl.** **24-01**

FIG. 1 is a view in front elevation of a resilient chewing device showing my new design;

(52) **U.S. Cl.** **D24/176**

FIG. 2 is a view in rear elevation of the resilient chewing device of FIG. 1;

(58) **Field of Search** D24/176, 193;
128/777; 482/11; 606/235, 234; 433/69

FIG. 3 is a view in side elevation of the resilient chewing device of FIG. 1 with the opposite side being identical thereto;

(56) **References Cited**

U.S. PATENT DOCUMENTS

- 2,115,405 A 4/1938 Allen
- 3,744,485 A * 7/1973 Worthy 128/777 X
- 5,263,976 A 11/1993 Williams
- 5,735,772 A 4/1998 Schiavoni

FIG. 4 is a top plan view of the resilient chewing device of FIG. 1; and,

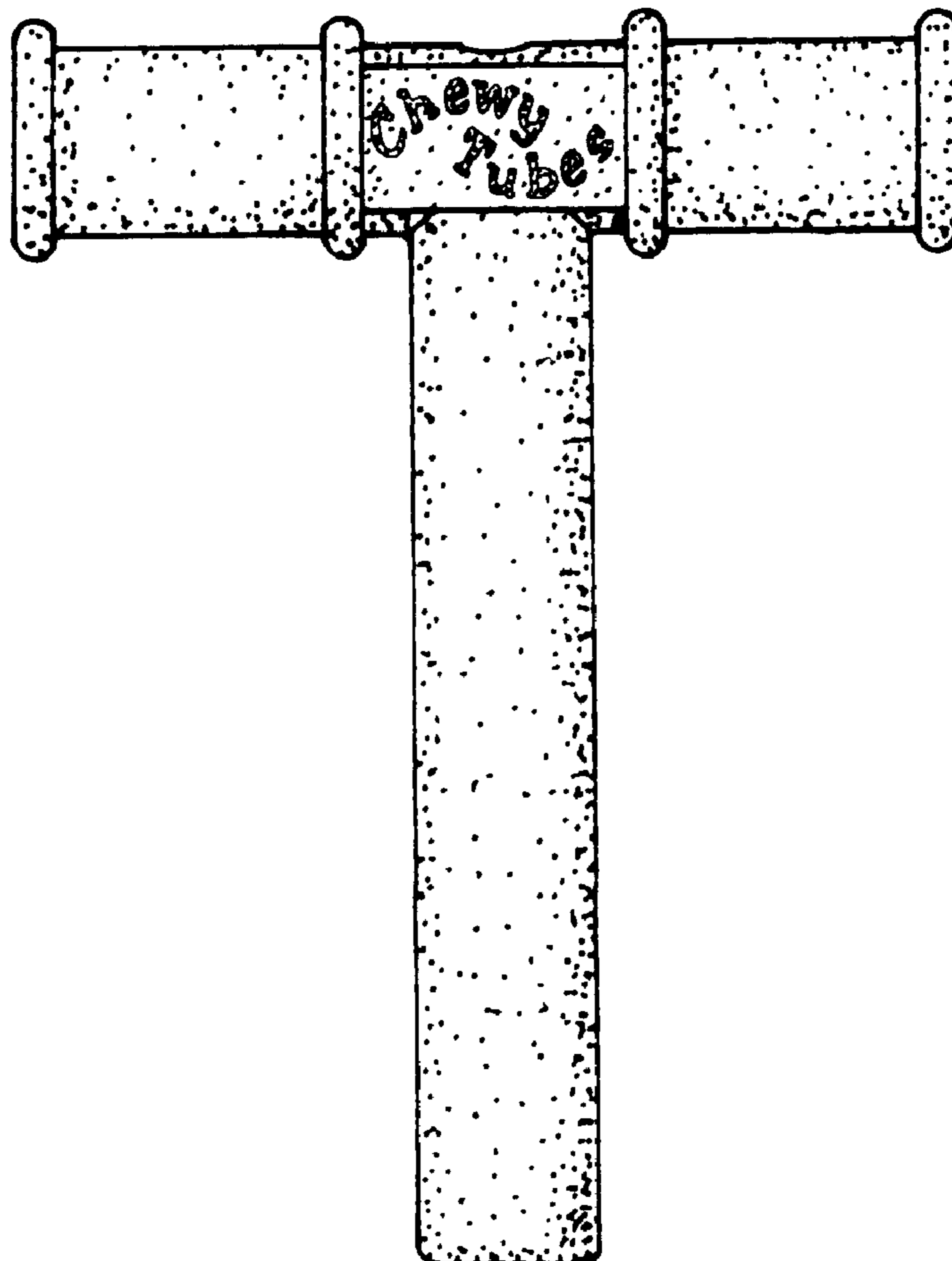
FIG. 5 is a bottom plan view of the resilient chewing device of FIG. 1.

FOREIGN PATENT DOCUMENTS

GB 2159720 A 12/1985

* cited by examiner

1 Claim, 2 Drawing Sheets



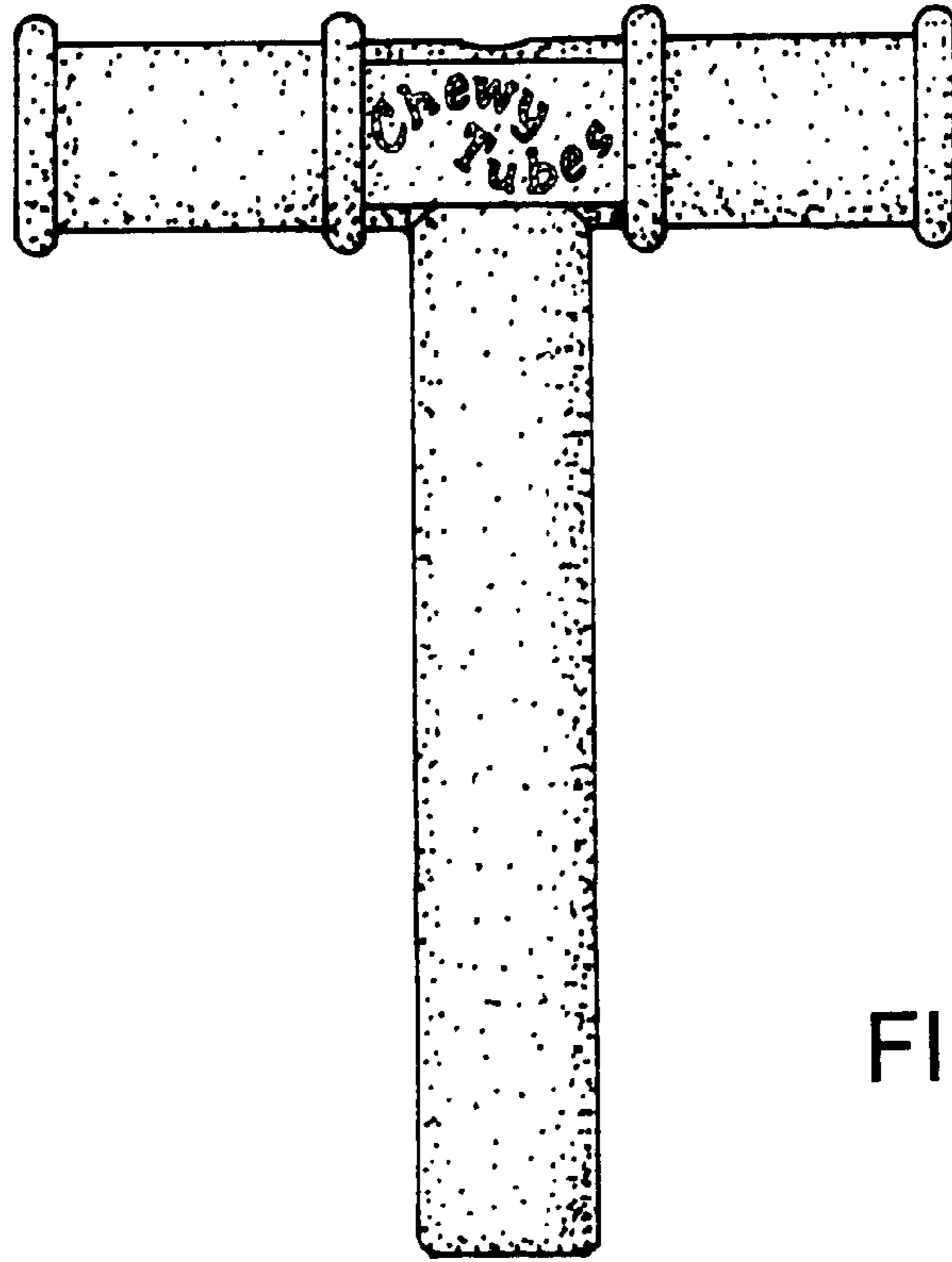


FIG. 1

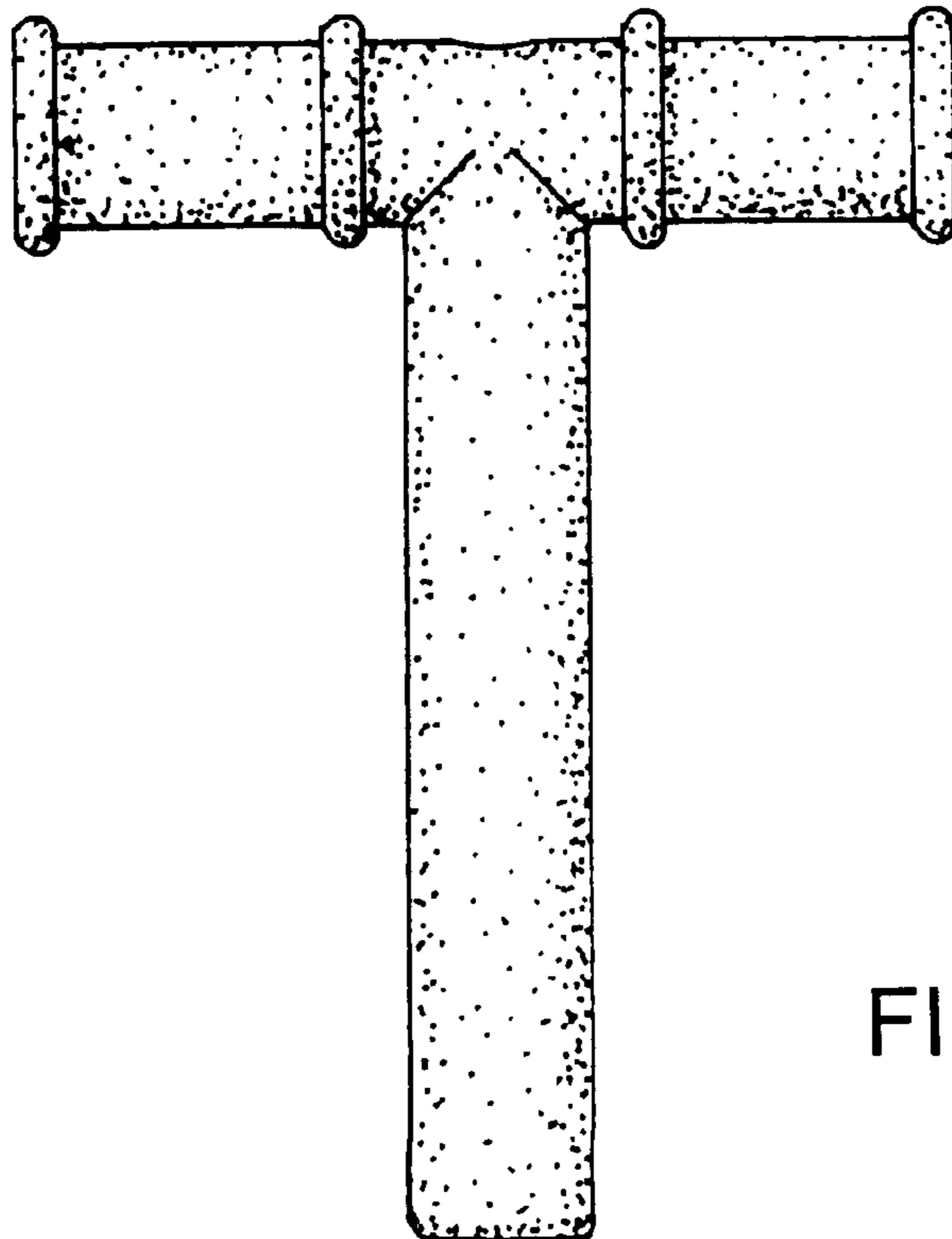


FIG. 2



FIG. 3

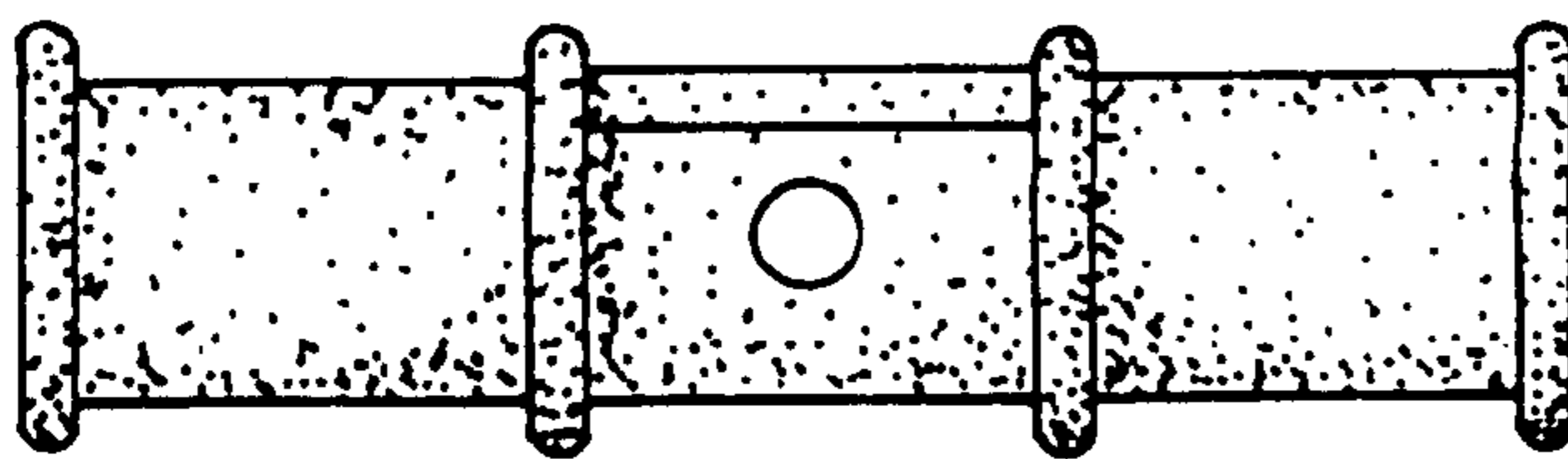


FIG. 4

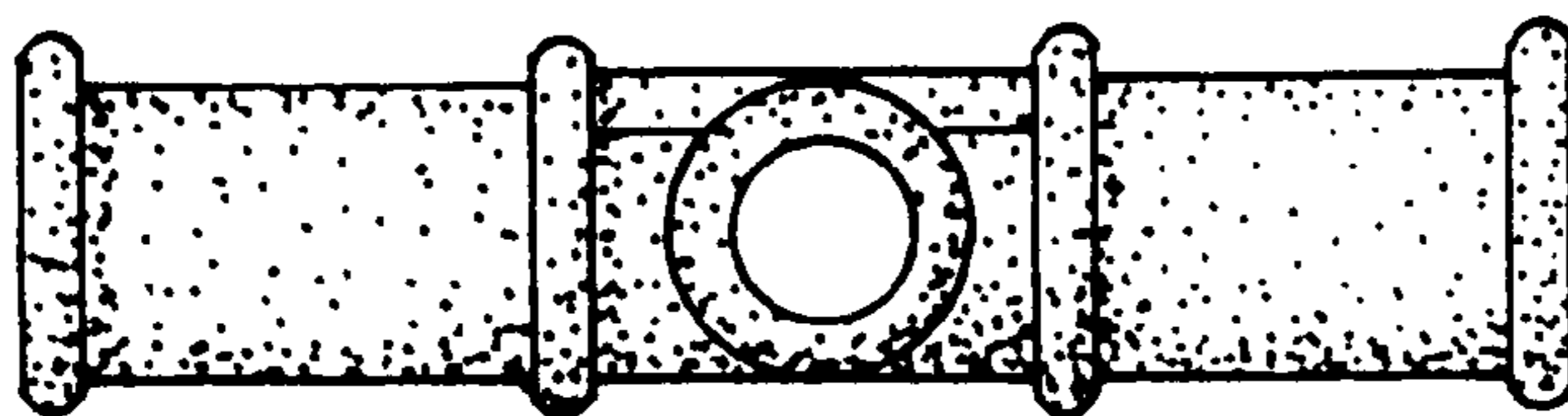


FIG. 5