



US00D461555S

(12) **United States Design Patent**
Binet et al.

(10) **Patent No.:** **US D461,555 S**

(45) **Date of Patent:** **** Aug. 13, 2002**

(54) **SAFETY SYRINGE**

FR 150010 * 5/1975 24/2
FR 150011 * 5/1975 24/2

(76) Inventors: **Jean Marc Binet; Benoit Steimer;**
Armindo Lourenco, all of 1, rue de
l'Abbaye, 76960 Notre Dame de
Bondeville (FR)

(List continued on next page.)

(**) Term: **14 Years**

OTHER PUBLICATIONS

(21) Appl. No.: **29/127,821**

Bulletin Des Dessins et Modeles Internationaux—Mai 1986
p. 1085, DM/006921.

(22) Filed: **Aug. 11, 2000**

Bulletin Des Dessins et Modeles Internationaux—Aout
1986 p. 1923, DM/007420.

(30) **Foreign Application Priority Data**

International Designs Bulletin—Aout 1986 p. 1924–25,
DM/007420.

May 25, 2000 (FR) 00 3134

Bulletin Des Dessins et Modeles Internationaux—Octobre
1995 p. 5417–19 DM/034476.

(51) **LOC (7) Cl.** **24-02**

Primary Examiner—Ian Simmons

(52) **U.S. Cl.** **D24/114**

(57) **CLAIM**

(58) **Field of Search** D243/114, 112,
D243/113; 604/135, 134, 136, 219, 218,
208, 198, 337, 187, 207, 211, 232

We claim the ornamental design for the safety syringe, as
shown and described.

(56) **References Cited**

DESCRIPTION

U.S. PATENT DOCUMENTS

FIG. 1 is a top perspective view of the new ornamental
safety syringe of the present invention.

5,279,586 A * 1/1994 Balkwill D24/114
D368,961 S * 4/1996 Himbert et al. D24/114
6,200,296 B1 * 3/2001 Dibiasi et al. 604/272

FIG. 2 is a top plan view thereof.

FOREIGN PATENT DOCUMENTS

FR 150002 * 5/1975 24/2
FR 150003 * 5/1975 24/2
FR 150004 * 5/1975 24/2
FR 150005 * 5/1975 24/2
FR 150006 * 5/1975 24/2
FR 150007 * 5/1975 24/2
FR 150008 * 5/1975 24/2
FR 150009 * 5/1975 24/2

FIG. 3 is a side elevational view thereof.

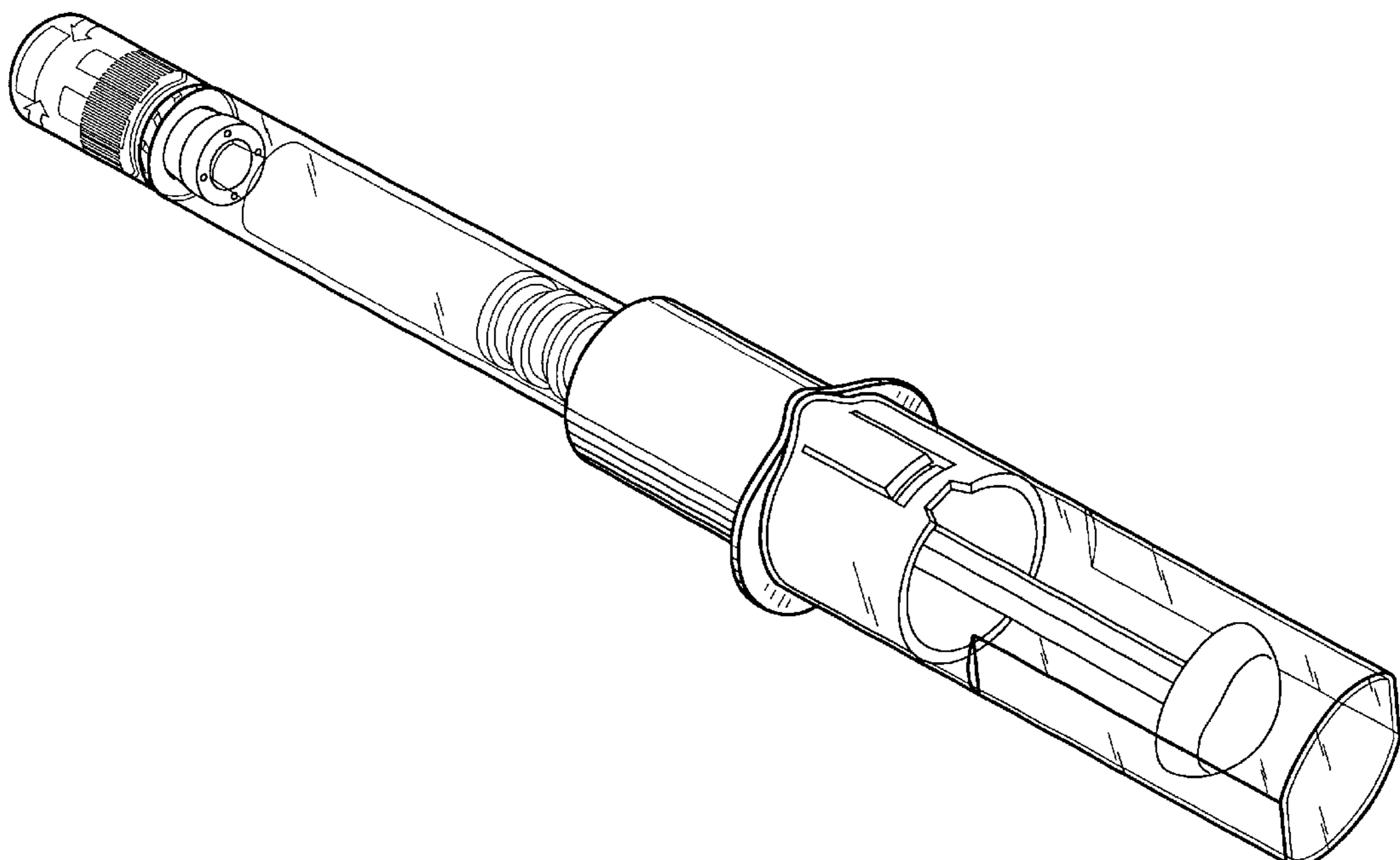
FIG. 4 is an exploded perspective view thereof, with the
plunger depressed and the protective covers removed for
operation.

FIG. 5 is an enlarged perspective view of the front portion
of FIG. 1.

FIG. 6 is an enlarged perspective view of the rear portion of
FIG. 1; and,

FIG. 7 is an enlarged perspective view of the plunger
portion, with the cover removed.

1 Claim, 6 Drawing Sheets



US D461,555 S

Page 2

FOREIGN PATENT DOCUMENTS								
FR	150012	*	5/1975	24/2	FR	0391888	2/1995	24/2
FR	150013	*	5/1975	24/2	FR	0391889	2/1995	24/2
FR	150014	*	5/1975	24/2	FR	0391890	2/1995	24/2
FR	150015	*	5/1975	24/2	FR	0391891	2/1995	24/2
FR	150016	*	5/1975	24/2	FR	0391892	2/1995	24/2
FR	150017	*	5/1975	24/2	FR	0391893	2/1995	24/2
FR	150018	*	5/1975	24/2	FR	0391894	2/1995	24/2
FR	150019	*	5/1975	24/2	FR	0391895	2/1995	24/2
FR	150020	*	5/1975	24/2	FR	0391896	2/1995	24/2
FR	150021	*	5/1975	24/2	FR	0391897	2/1995	24/2
FR	150022	*	5/1975	24/2	FR	03991913-0391920	2/1995	24/2
FR	150023	*	5/1975	24/2	FR	96 2741	10/1996	24/2
FR	150024	*	5/1975	24/2	FR	97 3612	10/1997	24/2
FR	150025	*	5/1975	24/2	FR	97 4396	11/1997	24/2
FR	150026	*	5/1975	24/2	FR	97 5132	12/1997	24/2
FR	150027	*	5/1975	24/2	FR	94 6944	1/1998	24/2
FR	150028	*	5/1975	24/2	FR	DM/043944	5/1998	
FR	150029	*	5/1975	24/2	FR	98 0650	5/1998	24/2
FR	150030	*	5/1975	24/2	FR	98 6389	3/1999	24/2
FR	150031	*	5/1975	24/2	FR	99 0816	6/1999	24/2
FR	150032	*	5/1975	24/2	FR	99 1102	6/1999	24/2
FR	150033	*	5/1975	24/2	FR	0549583-593	6/1999	24/2
FR	150034	*	5/1975	24/2	FR	99 1395	7/1999	24/2
FR	150035	*	5/1975	124/2	FR	99 1504	7/1999	24/2
FR	150036	*	5/1975	24/2	FR	99 2695	8/1999	24/2
FR	164980		11/1977	24/2	GB	Design 1016305	3/1984	24/2.01
FR	177984		12/1979	24/2	GB	Design 1018350	8/1984	24/2.01
FR	177985		12/1979	24/2	GB	Design 1018351	8/1984	24/2.01
FR	183566		10/1980	24/2	GB	Design 1021300	1/1985	24/2.01
FR	201458	*	6/1982	24/2	GB	Design 1021301	1/1985	24/2.01
FR	215497		5/1984	24/2	GB	Design 1021643	1/1985	24/2.01
FR	215498		5/1984	24/2	GB	Design 1022339	5/1985	24/2.01
FR	220569		9/1984	24/2	GB	Design 1023801	6/1985	24/2.01
FR	221698		2/1985	24/2	GB	Design 1023870	6/1985	24/2.01
FR	221699		2/1985	24/2	GB	Design 1025319	8/1985	24/2.01
FR	0391886		2/1985	24/2	GB	Design 1026523	10/1985	24/2.01
FR	227262	*	12/1985	24/2	GB	Design 1031479	8/1986	24/2.01
FR	228036	*	1/1986	24/2	GB	Design 1037829	4/1987	24/2.01
FR	242136	*	11/1987	24/2	GB	Design 1039759	7/1987	24/2.01
FR	254071	*	10/1988	24/2	GB	Design 1043098	12/1987	24/2.01
FR	278146		5/1990	24/2	GB	Design 1044883	3/1988	24/2.01
FR	278147		5/1990	24/21	GB	Design 1046530	5/1988	24/2.01
FR	0298053		6/1990	24/2	GB	Design 1047890	8/1988	24/2.01
FR	281389		7/1990	24/21	GB	Design 1051518	2/1989	24/2.01
FR	281390		7/1990	24/21	GB	Design 1053024	5/1989	24/2.01
FR	282725		8/1990	24/2	GB	Design 1053025	5/1989	24/2.01
FR	287749		10/1990	24/2	GB	Design 1055303	6/1989	24/2.01
FR	0300843		8/1991	24/2	GB	Design 1056589	8/1989	24/2.01
FR	0304026		10/1991	24/2	GB	Design 1060078	12/1989	24/2.01
FR	0318412		8/1992	24/2	GB	Design 1061017	1/1990	24/2.01
FR	0388506		1/1995	24/2	GB	Design 1061163	1/1990	24/2.01
FR	0388507		1/1995	24/2	GB	Design 1054765	2/1990	24/2.01
FR	0388508		1/1995	24/2	GB	Design 2003536	6/1990	24/2.01
FR	0388509		1/1995	24/2	GB	Design 2009125	1/1991	24/2.01
FR	0388517		1/1995	24/2	GB	Design 2011919	4/1991	24/2.01
FR	03885538		1/1995	24/2	GB	Design 2016323	1/1992	24/2.01
FR	03885539		1/1995	24/2	GB	Design 2016550	2/1992	24/2.01
FR	03885540		1/1995	24/2	GB	Design 2021366	11/1992	24/2.01
FR	03885541		1/1995	24/2	GB	Design 2028524	7/1993	24/2.01
FR	03885542		1/1995	24/2	GB	Design 2029434	7/1993	24/2.01
FR	0391877		2/1995	24/2	GB	Design 2031751	10/1993	24/2.01
FR	0391878		2/1995	24/2	GB	Design 2032143	10/1993	24/2.01
FR	0391879		2/1995	24/2	GB	Design 2031969	12/1993	24/2.01
FR	0391880		2/1995	24/2	GB	Design 2033008	12/1993	24/2.01
FR	0391881		2/1995	24/2	GB	Design 2033009	12/1993	24/2.01
FR	0391882		2/1995	24/2	GB	Design 2034884	1/1994	24/2.01
FR	0391883		2/1995	24/2	GB	Design 2035267	3/1994	24/2.01
FR	0391884		2/1995	24/2	GB	Design 2039434	11/1994	24/2.01
FR	0391885		2/1995	24/2	GB	Design 2038680	12/1994	24/2.01
FR	0391885		2/1995	24/2	GB	Design 2024947	2/1995	24/2.01
FR	0391887		2/1995	24/2	GB	Design 2042549	2/1995	24/2.01

US D461,555 S

Page 3

GB	Design 2042902	2/1995	24/2.01	GB	Design 2079002	2/1999	24/2.01
GB	Design 2043152	2/1995	24/2.01	GB	Design 2079965	3/1999	24/2.01
GB	Design 2045791	6/1995	24/2.08	GB	Design 2080099	4/1999	24/2.01
GB	Design 2043116	8/1995	24/2.01	GB	Design 2078862	5/1999	24/2.01
GB	Design 2043117	8/1995	24/2.01	GB	Design 2080981	5/1999	24/2.01
GB	Design 2043118	8/1995	24/2.01	GB	Design 2082221	6/1999	24/2.01
GB	Design 2052040	3/1996	24/2.01	GB	Design 2083672	8/1999	24/2.01
GB	Design 2054332	7/1996	24/2.01	GB	Design 2084530	8/1999	24/2.01
GB	Design 2055750	9/1996	24/2.01	GB	Design 2081755	10/1999	24/2.01
GB	Design 2056511	12/1996	24/2.01	GB	Design 2084818	10/1999	24/2.01
GB	Design 2058966	1/1997	24/2.01	GB	Design 2082942	11/1999	24/2.01
GB	Design 2063581	6/1997	24/2.01	GB	Design 2083949	11/1999	24/2.01
GB	Design 2062061	11/1997	24/2.01	GB	Design 2088504	2/2000	24/2.01
GB	Design 2068361	12/1997	24/2.01	GB	Design 2089085	2/2000	24/2.01
GB	Design 2068362	12/1997	24/2.01	GB	Design 2088915	3/2000	24/2.01
GB	Design 2068494	12/1997	24/2.01	GB	Design 2089825	3/2000	24/2.01
GB	Design 2068886	12/1997	24/2.01	GB	Design 2092649	5/2000	24/2.01
GB	Design 2070585	2/1998	24/2.01					
GB	Design 2070586	2/1998	24/2.01					
GB	Design 2077459	12/1998	24/2.01					

* cited by examiner

FIG. 1

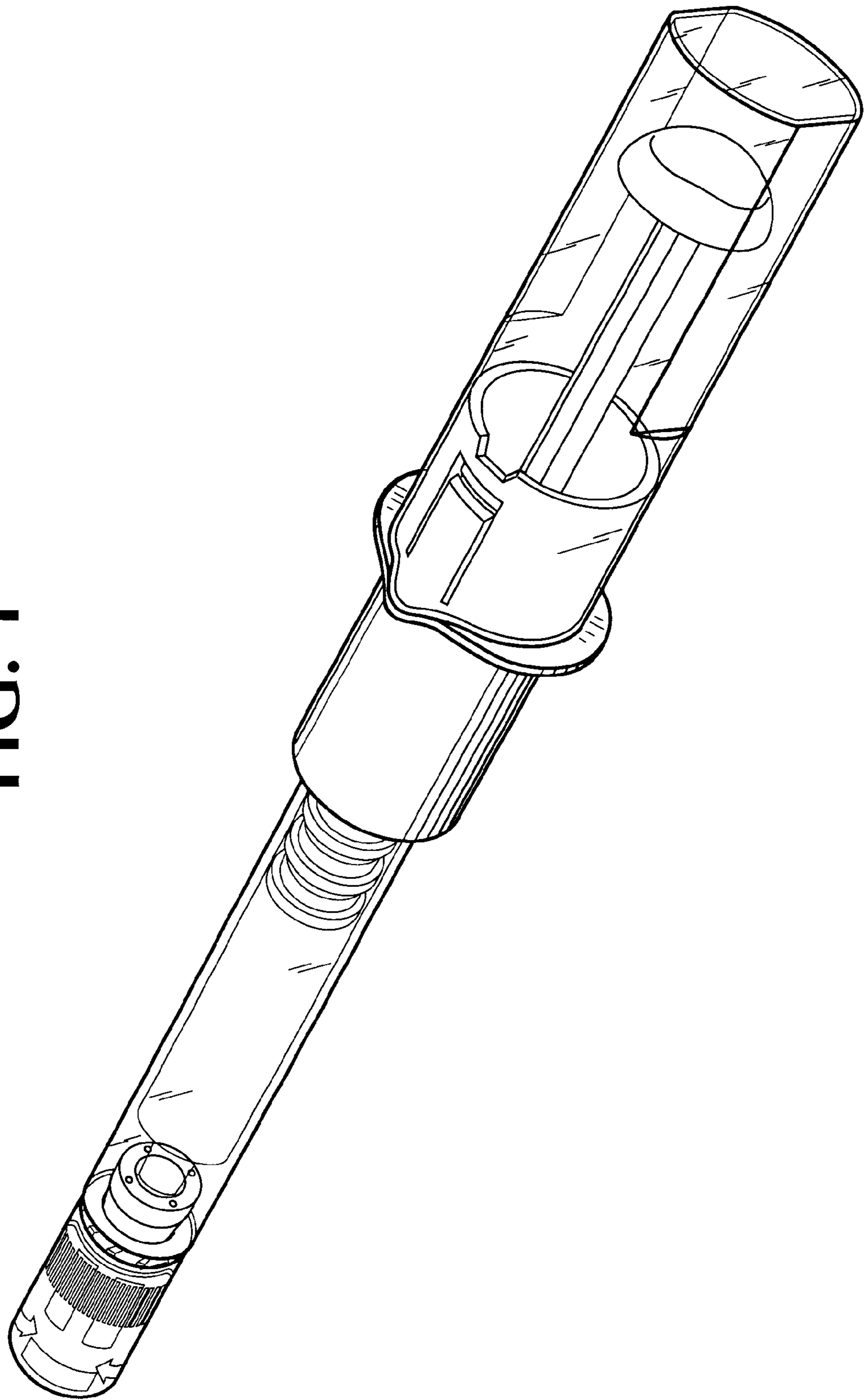


FIG. 2

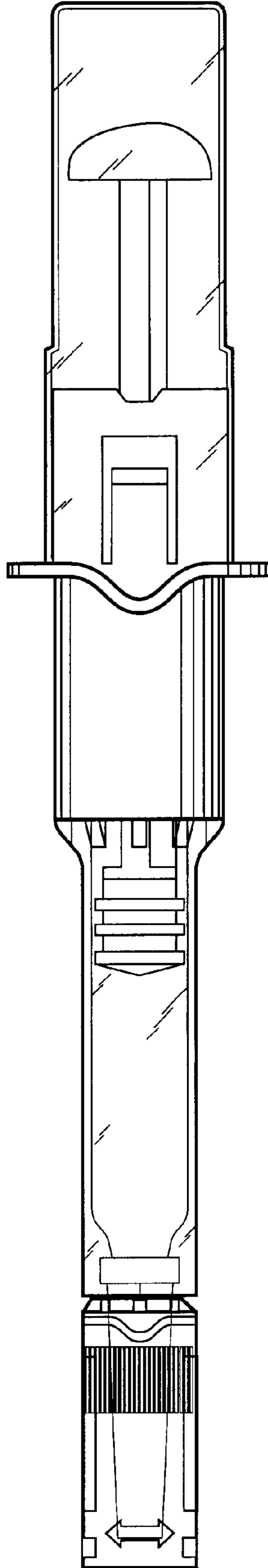


FIG. 3

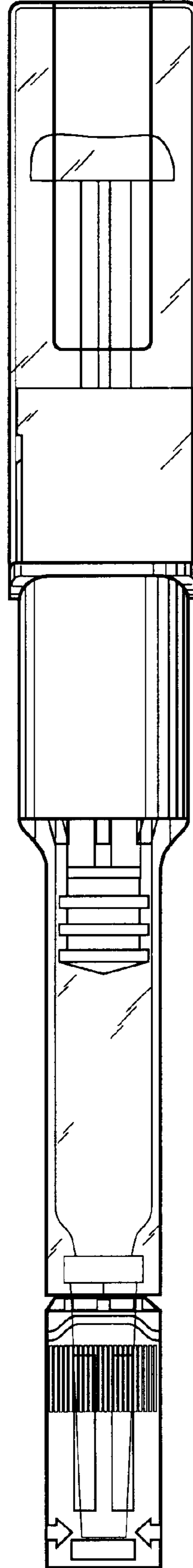


FIG. 4

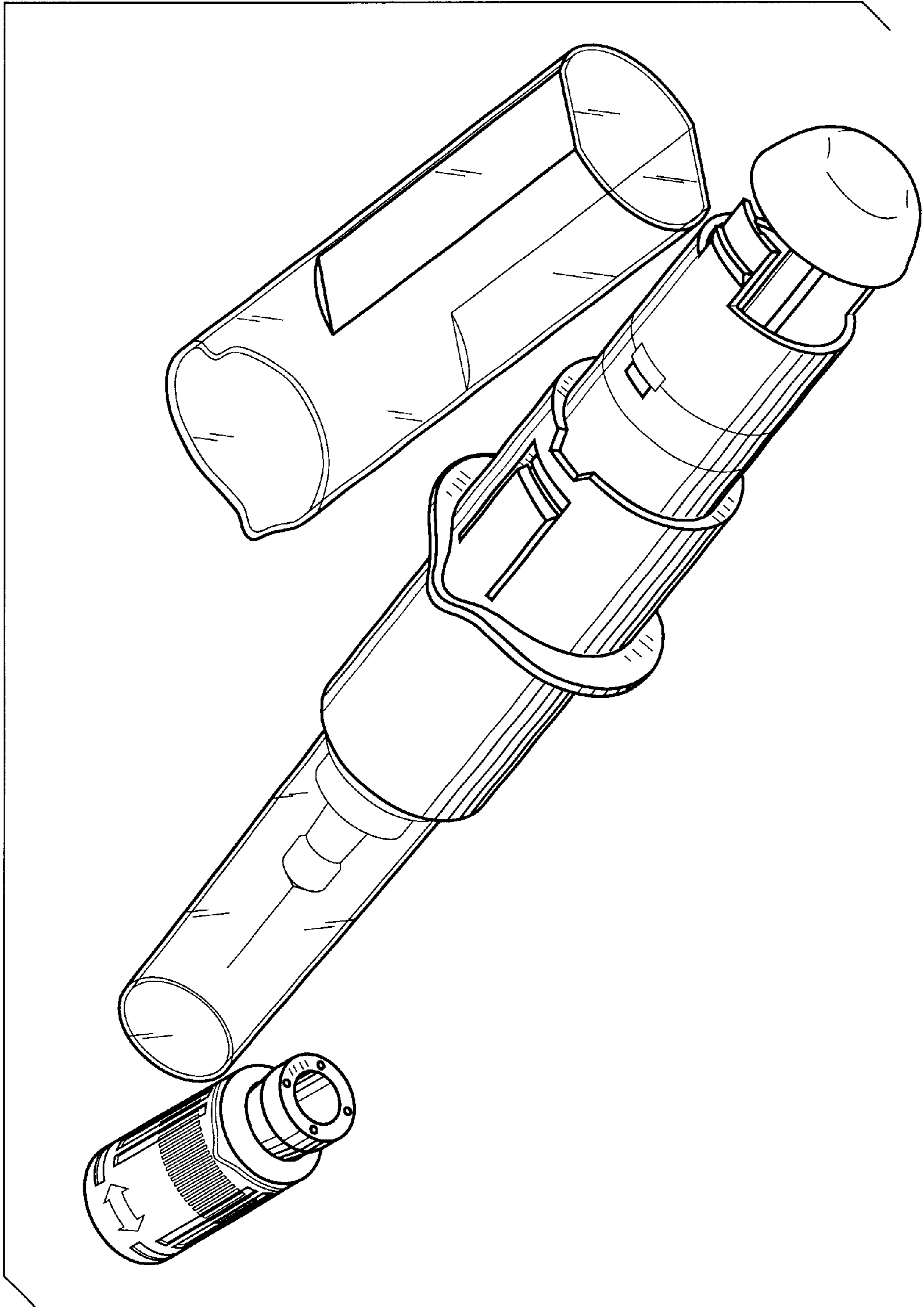


FIG. 5

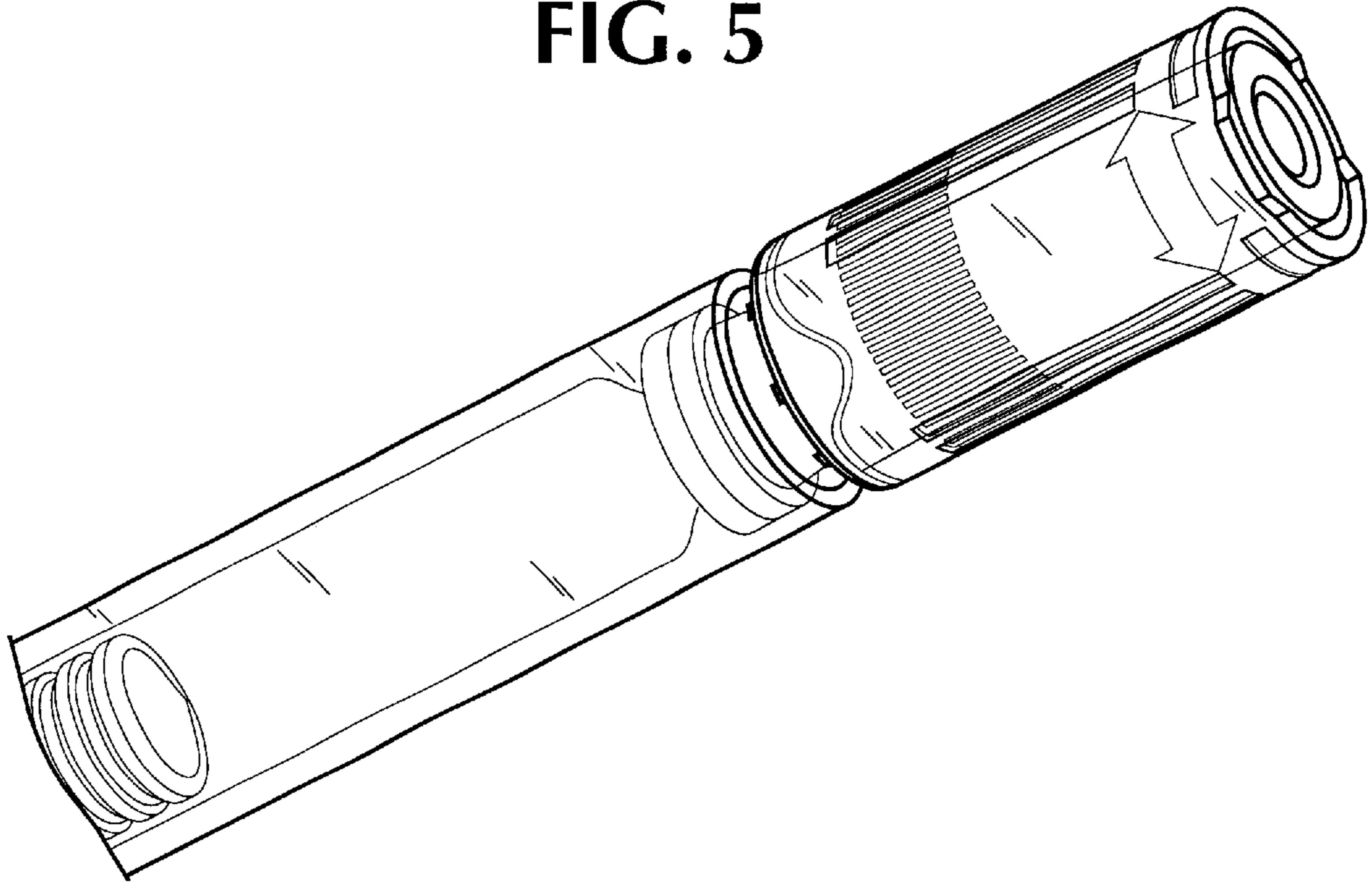


FIG. 6

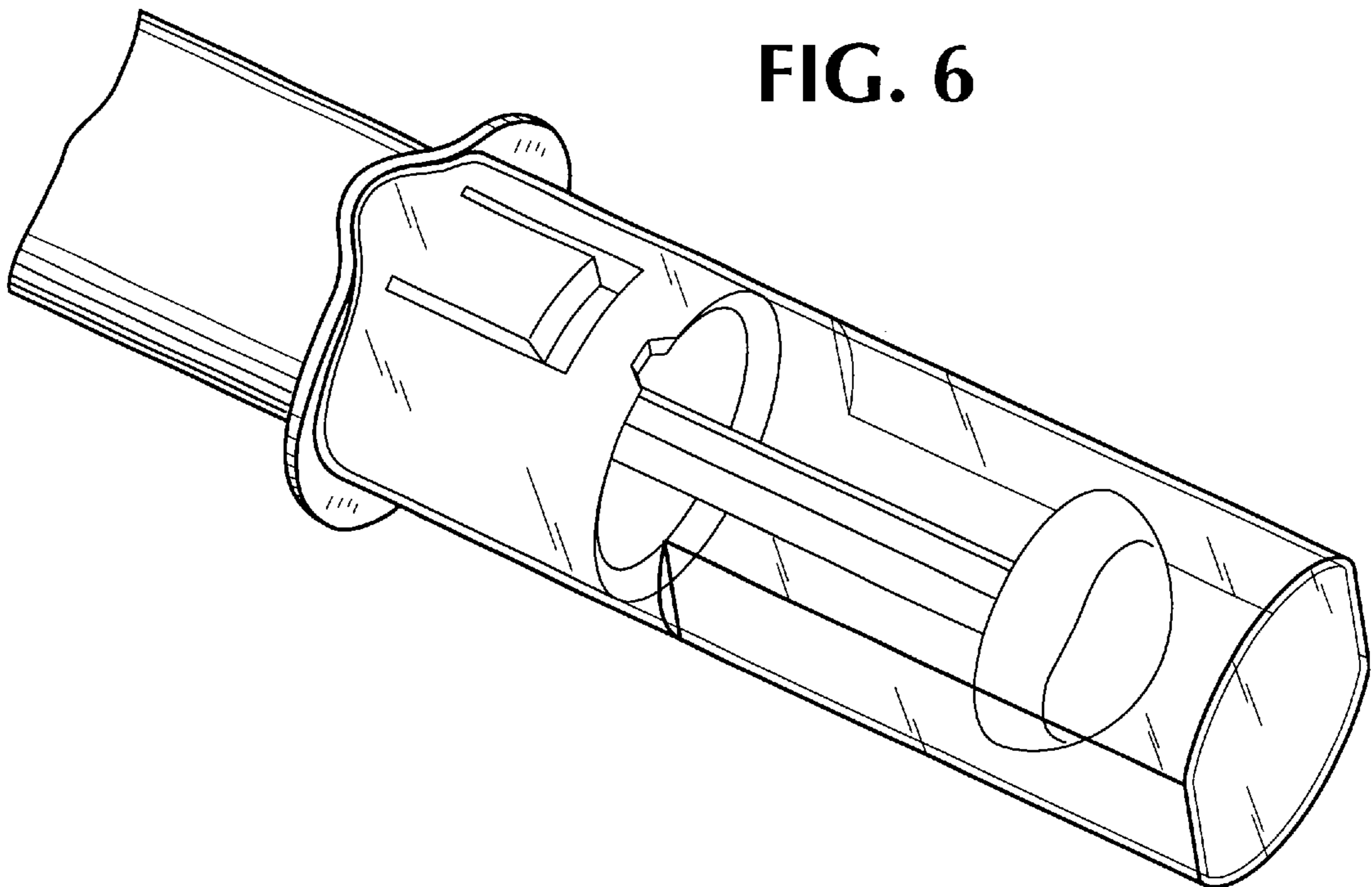


FIG. 7

