



US00D461552S

(12) **United States Design Patent**
Wright

(10) **Patent No.:** **US D461,552 S**

(45) **Date of Patent:** **** Aug. 13, 2002**

(54) **ELECTRIC FAN**

D398,386 S * 9/1998 Chan D23/379

(75) Inventor: **David Wright**, Mid-Levels (HK)

* cited by examiner

(73) Assignee: **B. K. Rekhatex (H. K.) Ltd.**, Kowloon (HK)

Primary Examiner—Lisa Lichtenstein

(74) *Attorney, Agent, or Firm*—Leydig, Voit & Mayer, Ltd

(**) Term: **14 Years**

(57) **CLAIM**

(21) Appl. No.: **29/152,579**

The ornamental design for an electric fan, as shown and described.

(22) Filed: **Dec. 27, 2001**

(30) **Foreign Application Priority Data**

DESCRIPTION

Aug. 14, 2001 (HK) 0111218

FIG. 1 is a left side elevational view of an electric fan showing my new design;

(51) **LOC (7) Cl.** **23-04**

FIG. 2 is a right side elevational view thereof;

(52) **U.S. Cl.** **D23/379**

FIG. 3 is a front elevational view thereof;

(58) **Field of Search** D23/379, 332, D23/370; 410/246 R, 146 R, 63

FIG. 4 is a rear elevational view thereof;

FIG. 5 is a top plan view thereof; and,

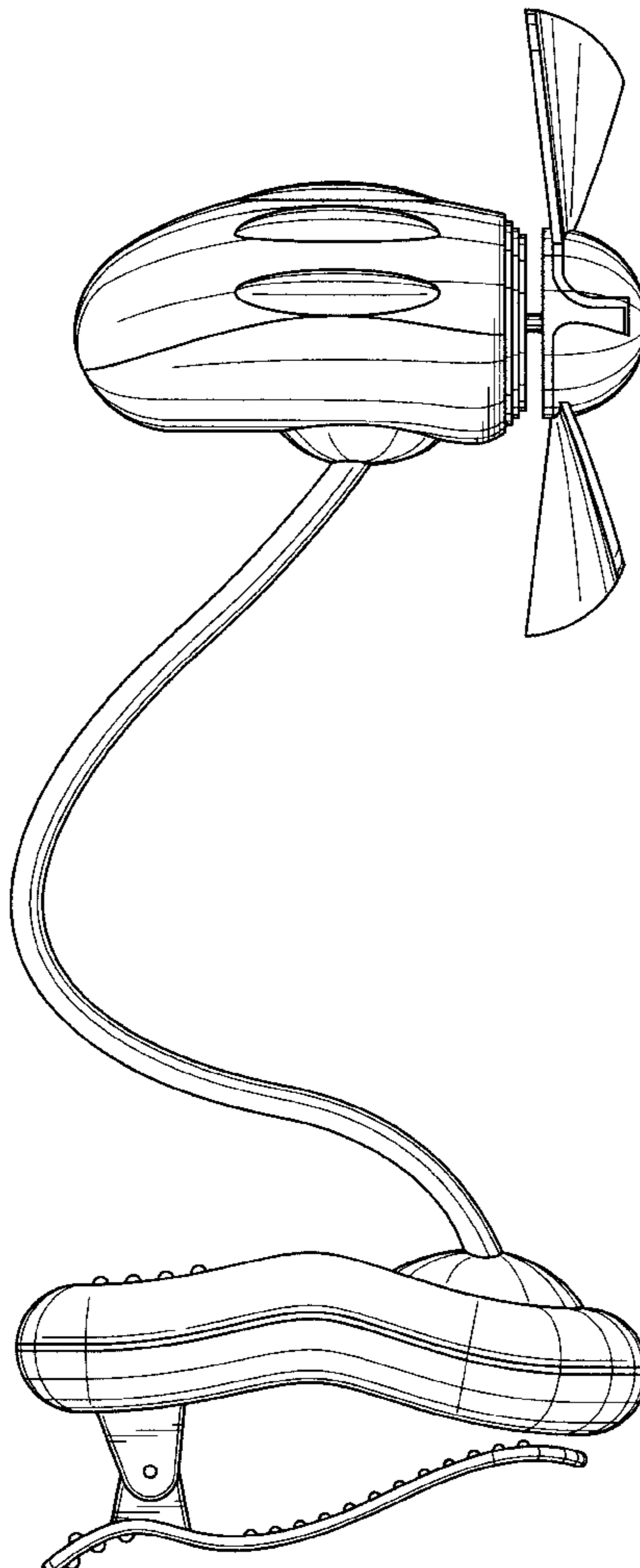
FIG. 6 is a bottom plan view thereof.

(56) **References Cited**

U.S. PATENT DOCUMENTS

D396,104 S * 7/1998 Radtke D23/379

1 Claim, 4 Drawing Sheets



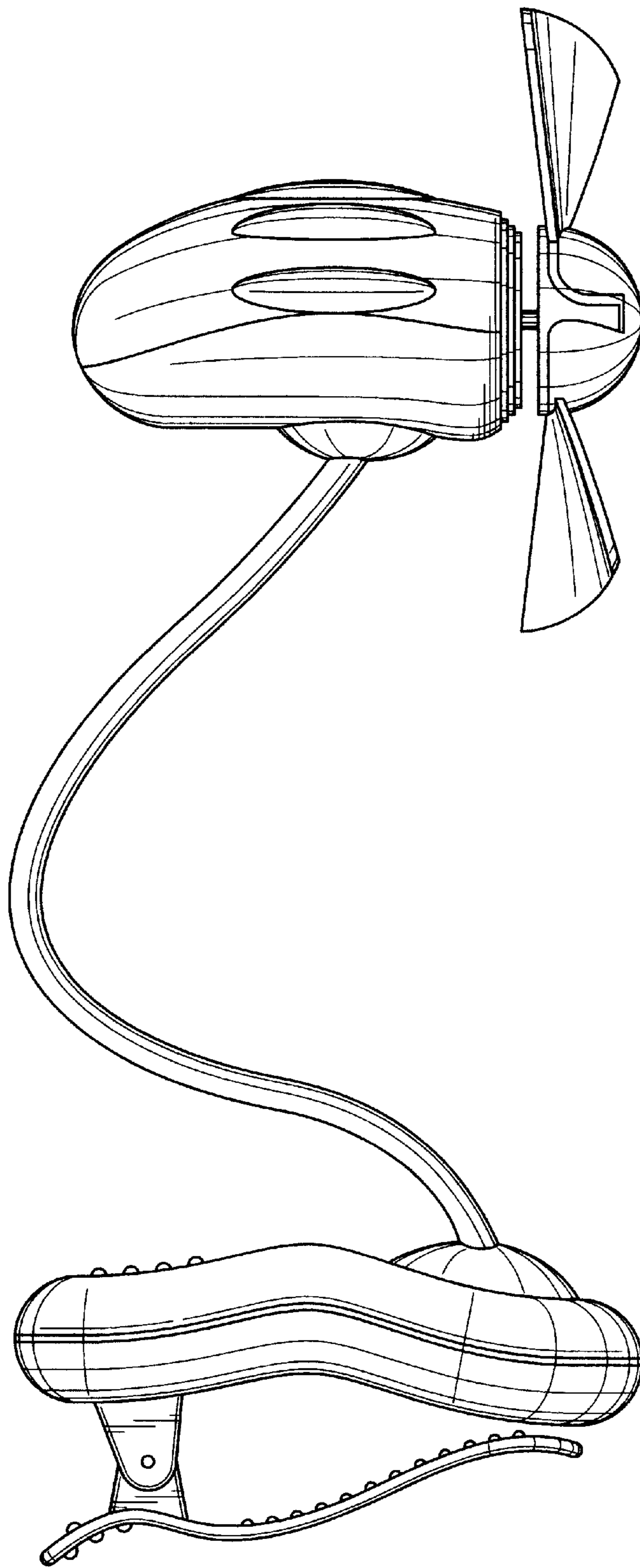


FIG. 1

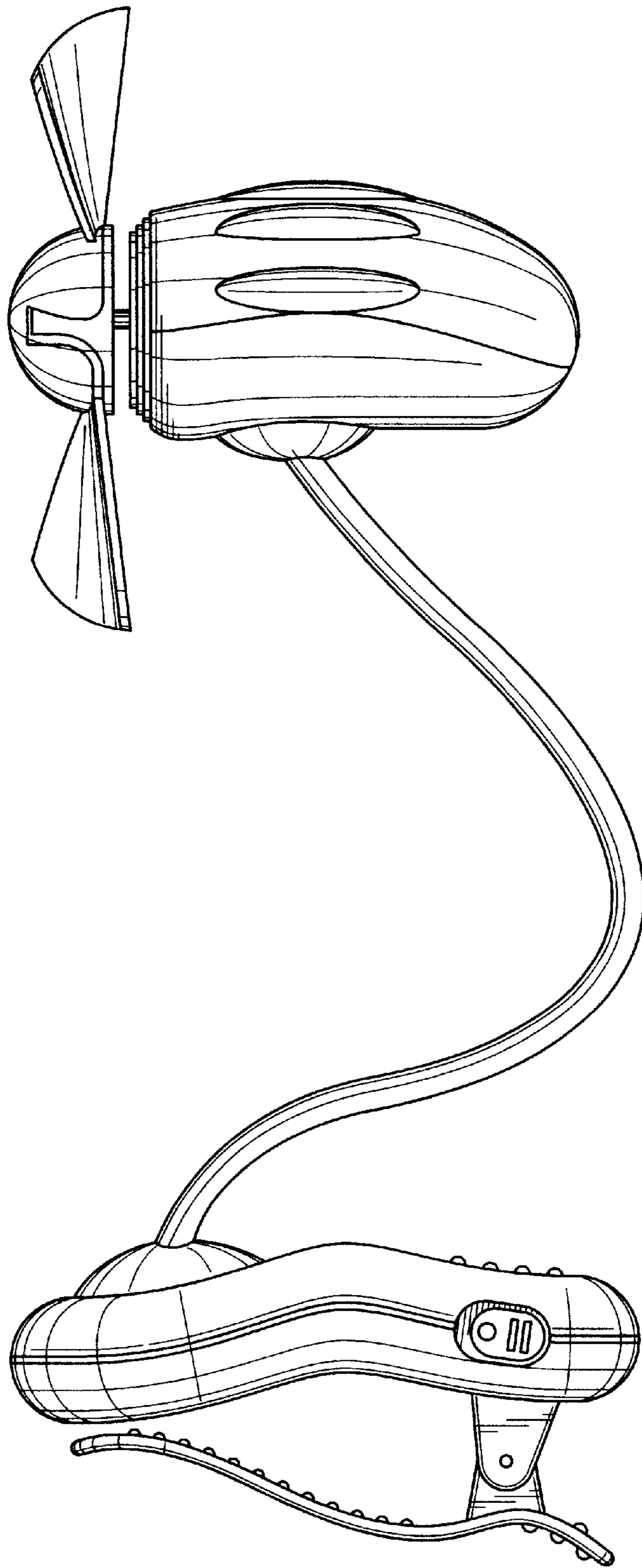


FIG. 2

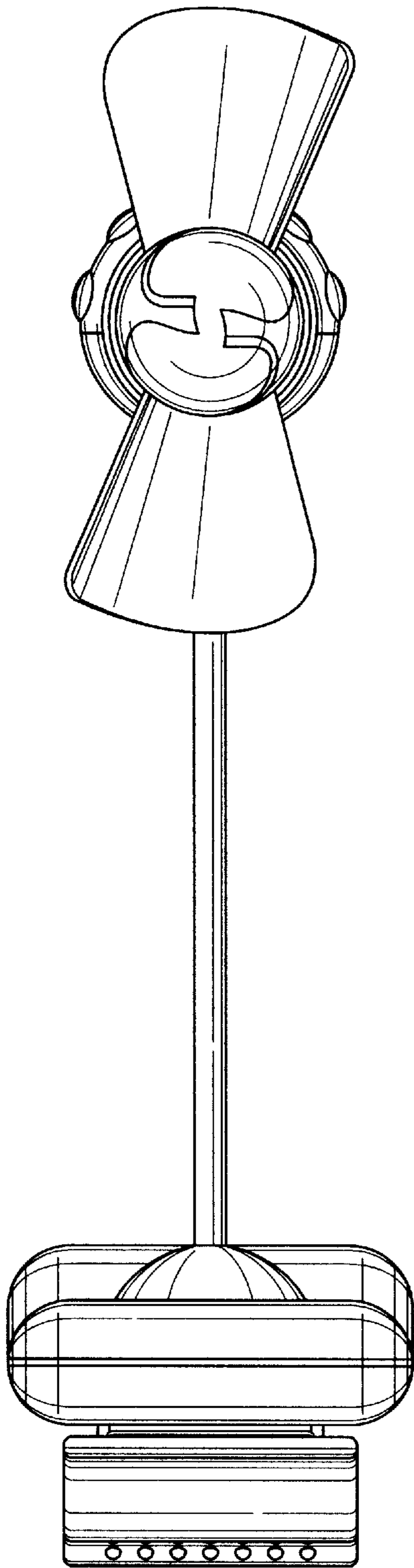


FIG. 3

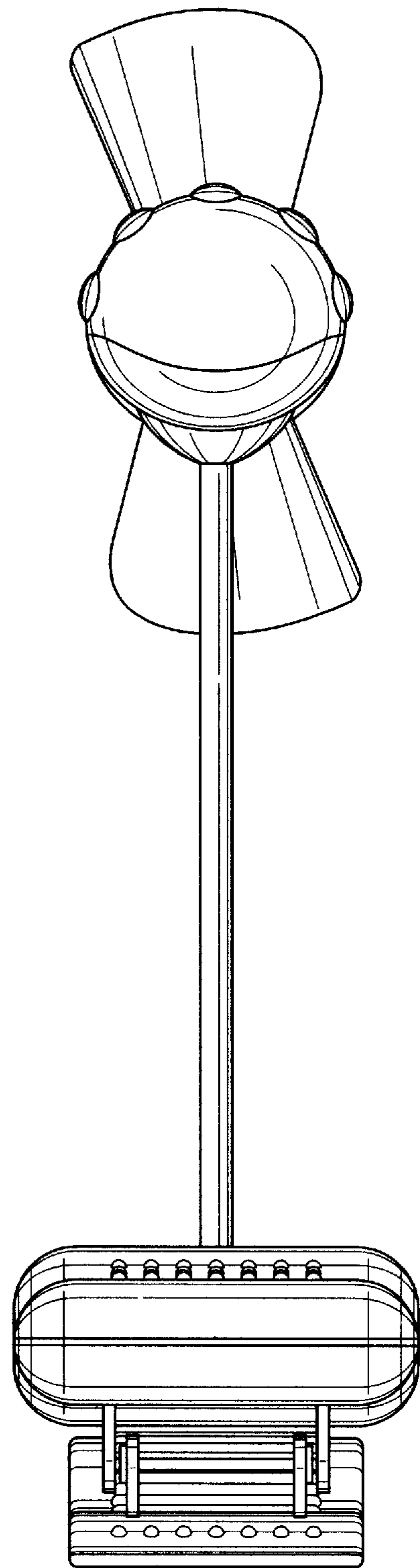


FIG. 4

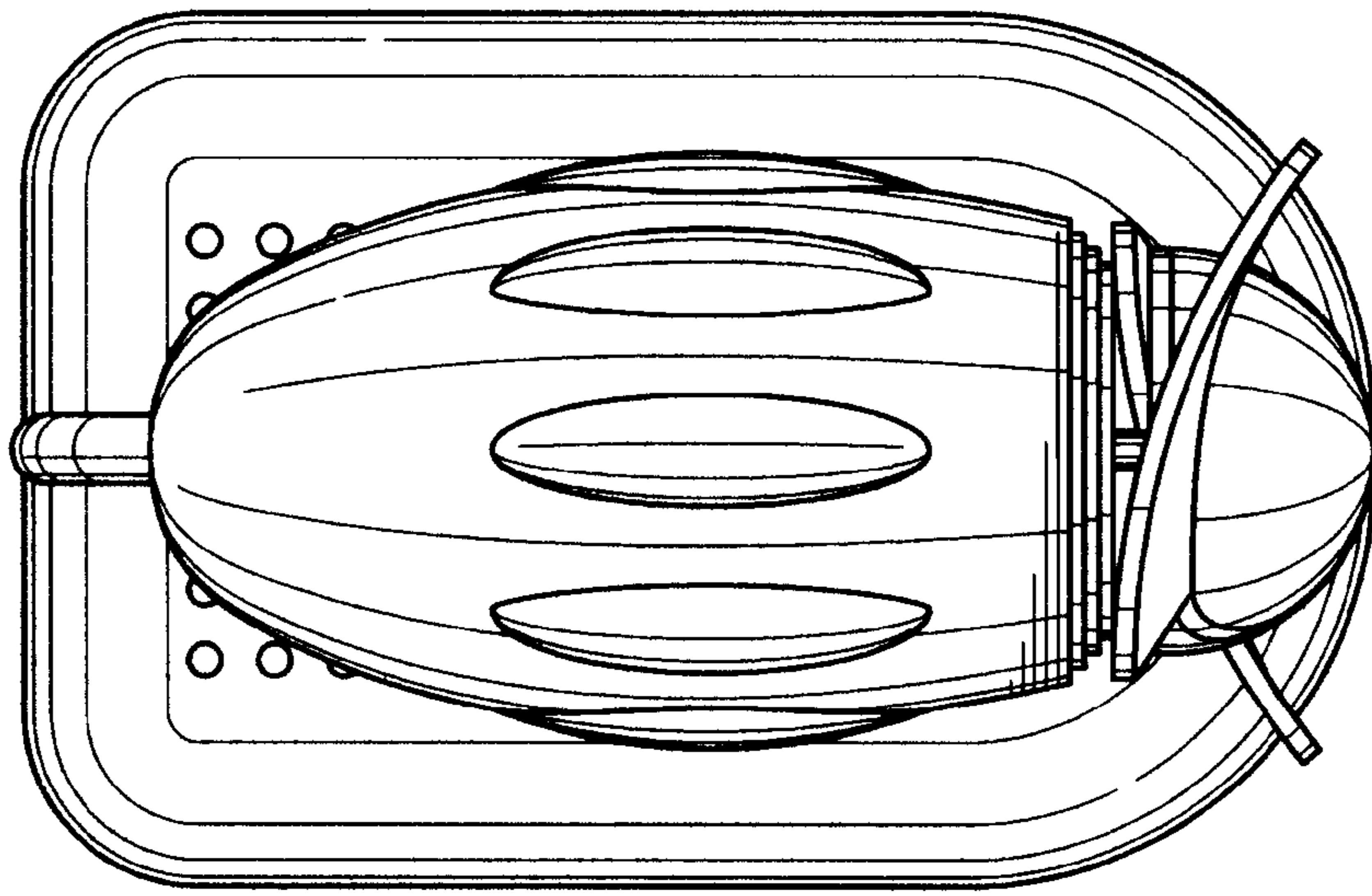


FIG. 5

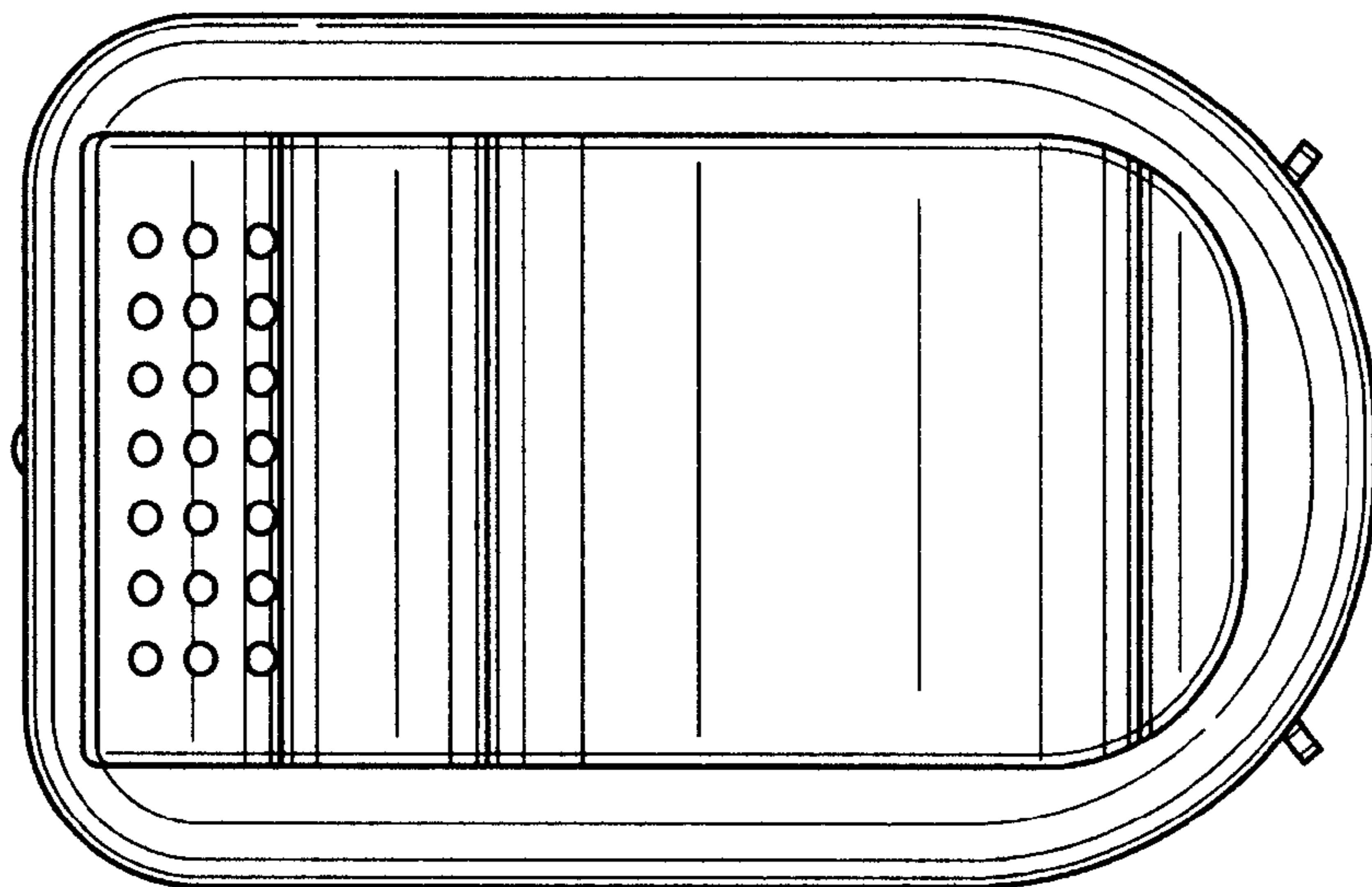


FIG. 6