



US00D461551S

(12) **United States Design Patent**
Teskey

(10) **Patent No.:** **US D461,551 S**

(45) **Date of Patent:** **** Aug. 13, 2002**

(54) **REDUCED HANDLE PROFILE VENTILATOR**

(75) Inventor: **Gregg A. Teskey**, Trabuco Canyon, CA (US)

(73) Assignee: **Ryadon, Inc.**, Foothill Ranch, CA (US)

(**) Term: **14 Years**

(21) Appl. No.: **29/151,193**

(22) Filed: **Nov. 7, 2001**

(51) **LOC (7) Cl.** **23-04**

(52) **U.S. Cl.** **D23/373**

(58) **Field of Search** **D23/370, 373;**
454/145

D390,943 S 2/1998 Kelly
D393,707 S 4/1998 Kelly
5,766,068 A 6/1998 Kelly
6,126,538 A 10/2000 Kelly et al.
6,280,315 B1 8/2001 Kelly
D450,113 S 11/2001 Teskey

Primary Examiner—Lisa Lichtenstein

(74) *Attorney, Agent, or Firm*—Fulwider Patton Lee & Utecht, LLP

(57) **CLAIM**

The ornamental design for a reduced handle profile ventilator, as shown and described.

DESCRIPTION

FIG. 1 is a bottom perspective view showing my new design;

FIG. 2 is a right hand end view, in reduced scale, depicting a fully closed configuration, thereof;

FIG. 3 is a right hand end view, in reduced scale, depicting a partially open configuration, thereof;

FIG. 4 is a right hand end view, in reduced scale, depicting a partially open configuration, thereof;

FIG. 5 is a side view, in reduced scale, of FIG. 2;

FIG. 6 is a top view, in reduced scale, of FIG. 2; and,

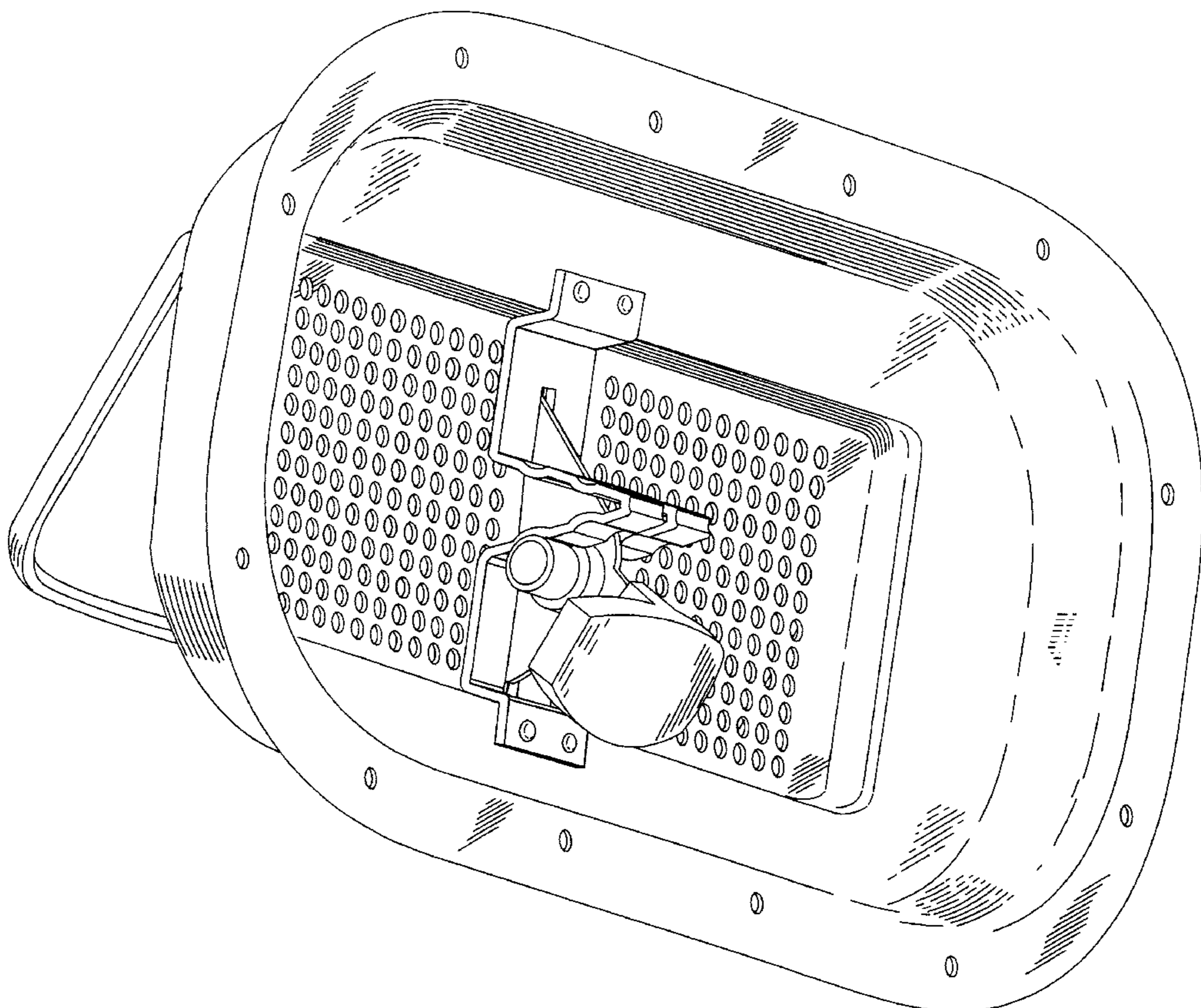
FIG. 7 is a bottom view, in reduced scale, of FIG. 2.

(56) **References Cited**

U.S. PATENT DOCUMENTS

3,358,576 A	12/1967	Kelly et al.
3,375,772 A	4/1968	Kelly et al.
3,672,291 A	6/1972	Kujawa, Jr.
3,763,760 A	10/1973	Erickson
3,839,950 A	10/1974	Kelly et al.
4,452,129 A	6/1984	Kelly et al.
4,519,645 A	5/1985	Kelly et al.
4,522,115 A	6/1985	Kelly et al.
5,020,425 A	6/1991	Kelly
5,137,327 A	8/1992	Edmonds et al.

1 Claim, 3 Drawing Sheets



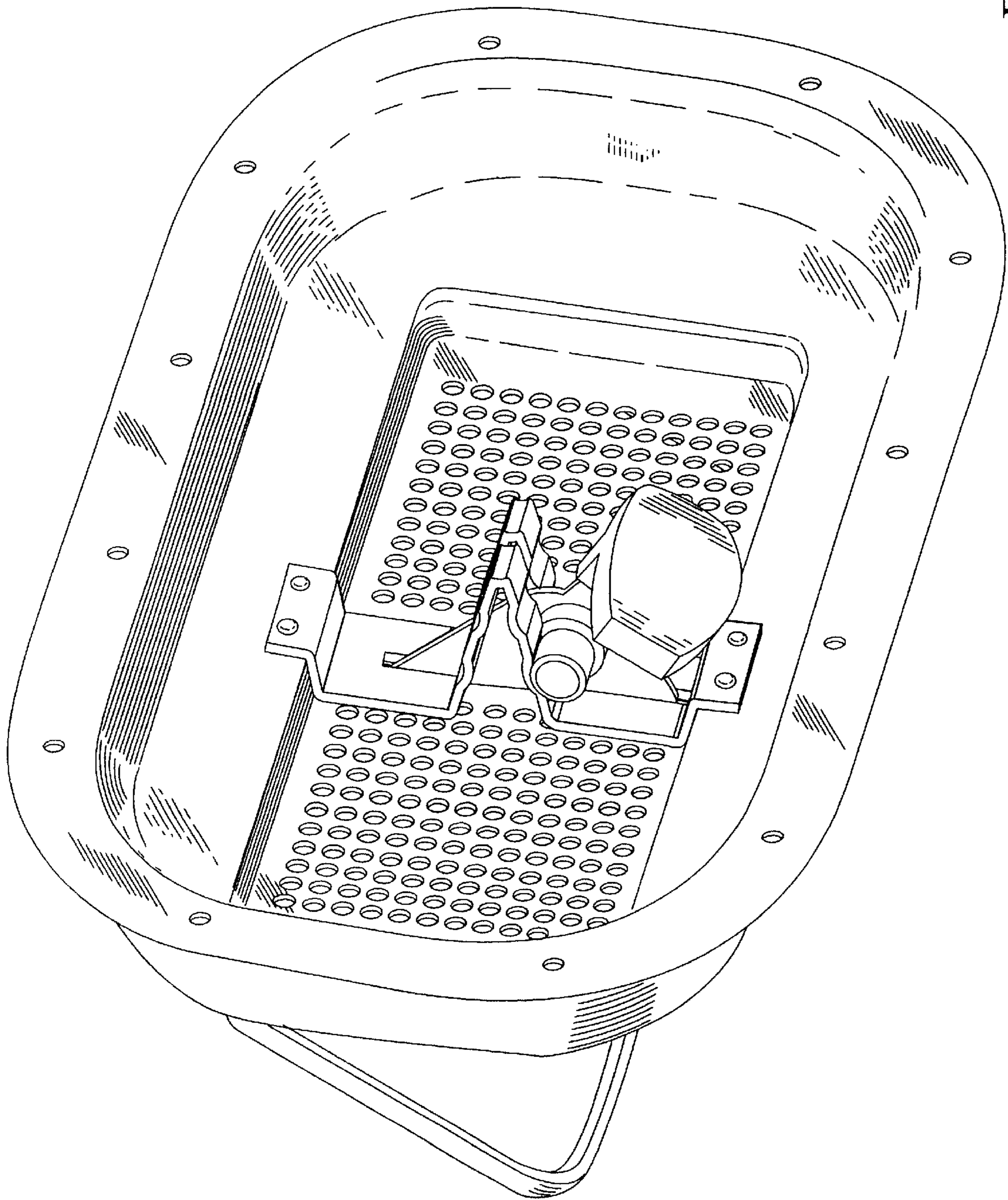


Fig. 1

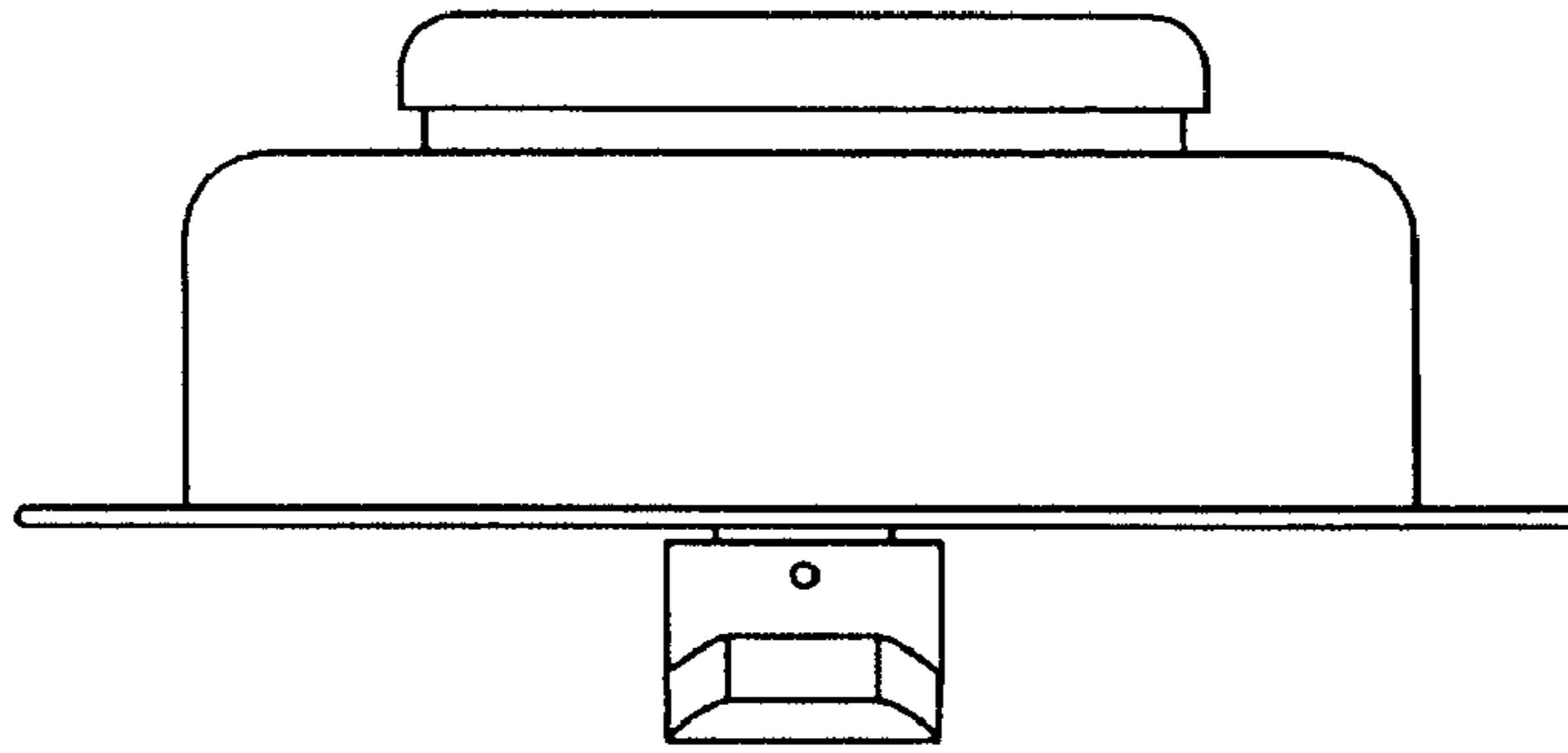


Fig. 2

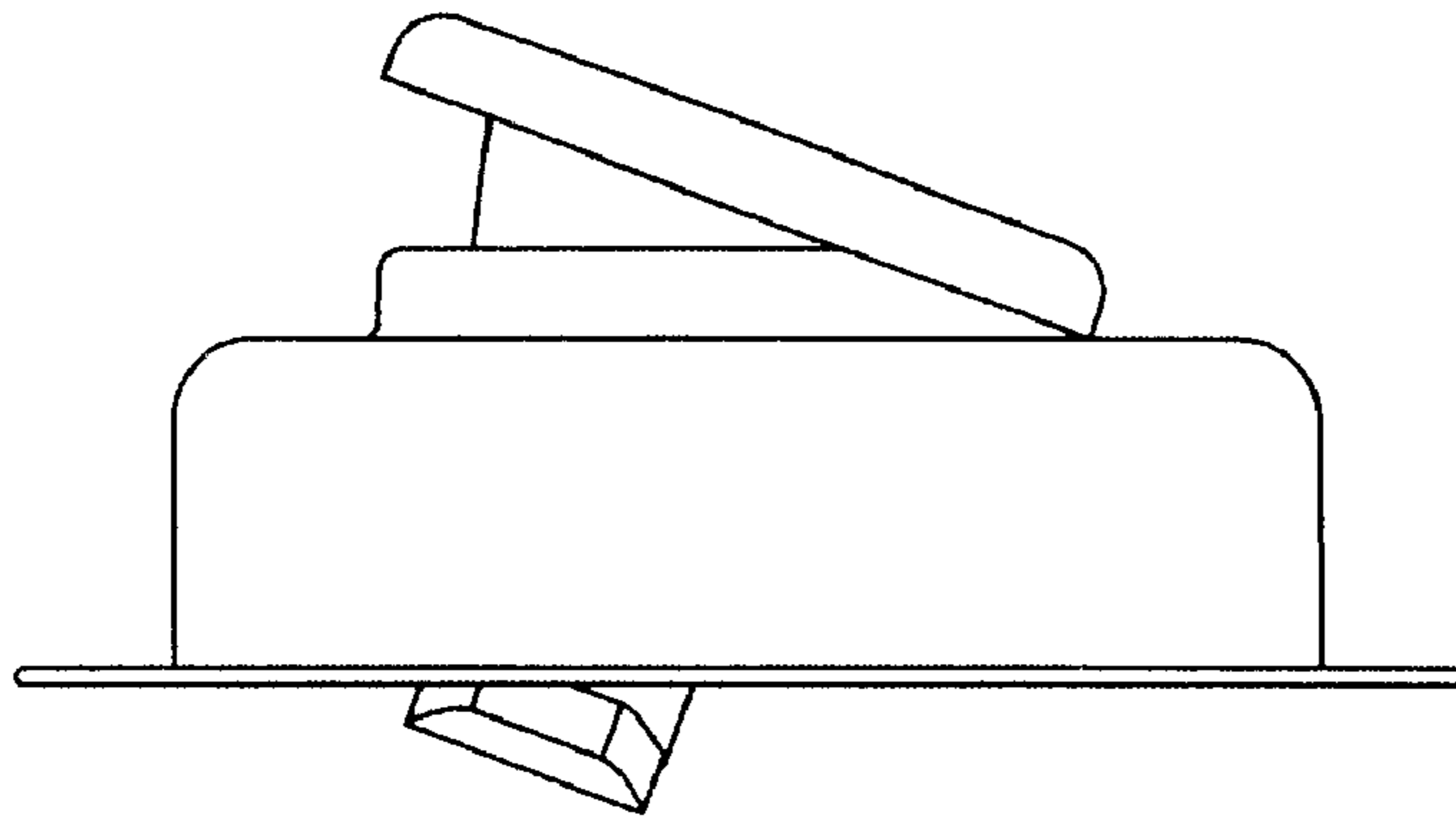


Fig. 3

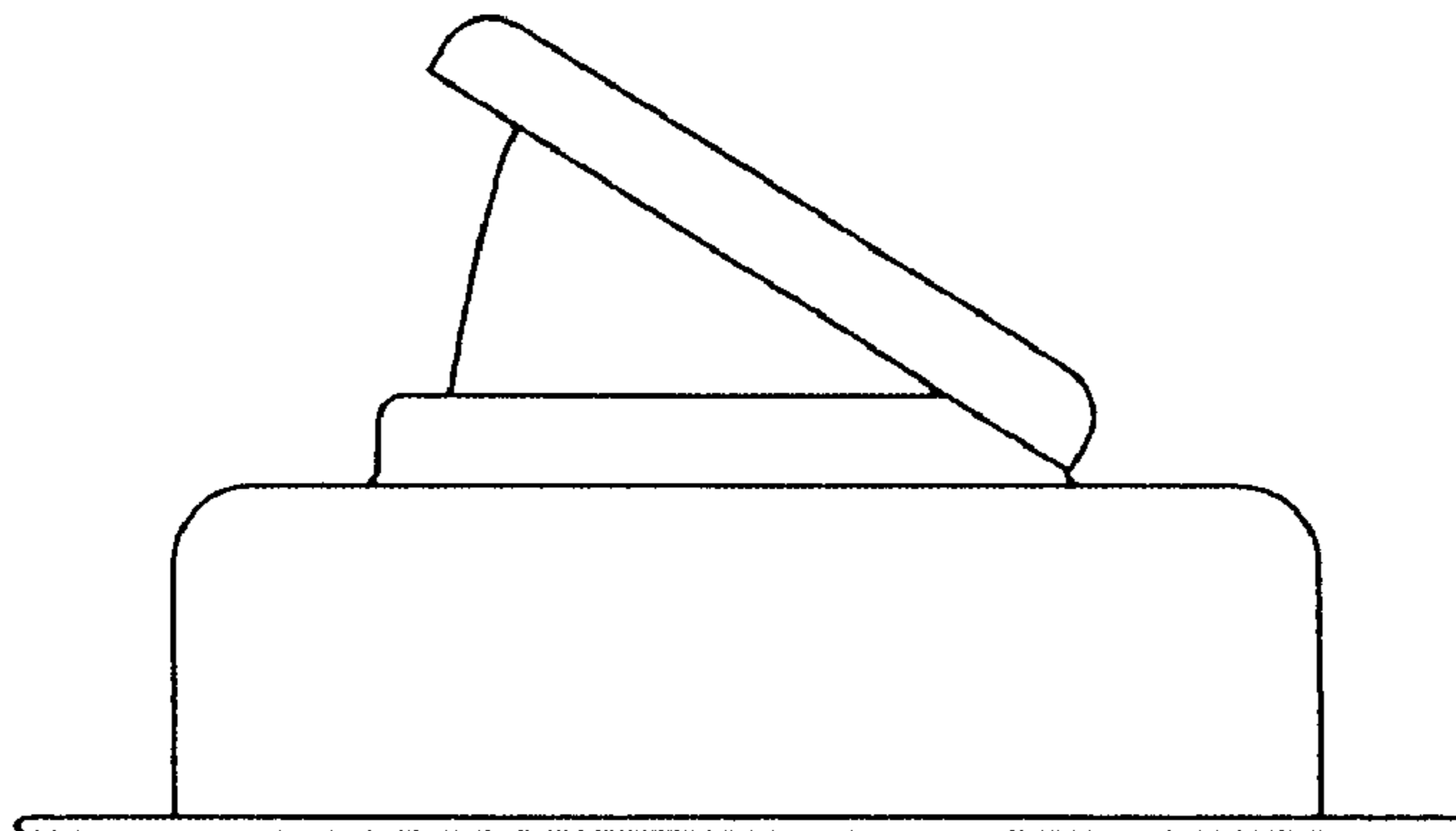


Fig. 4

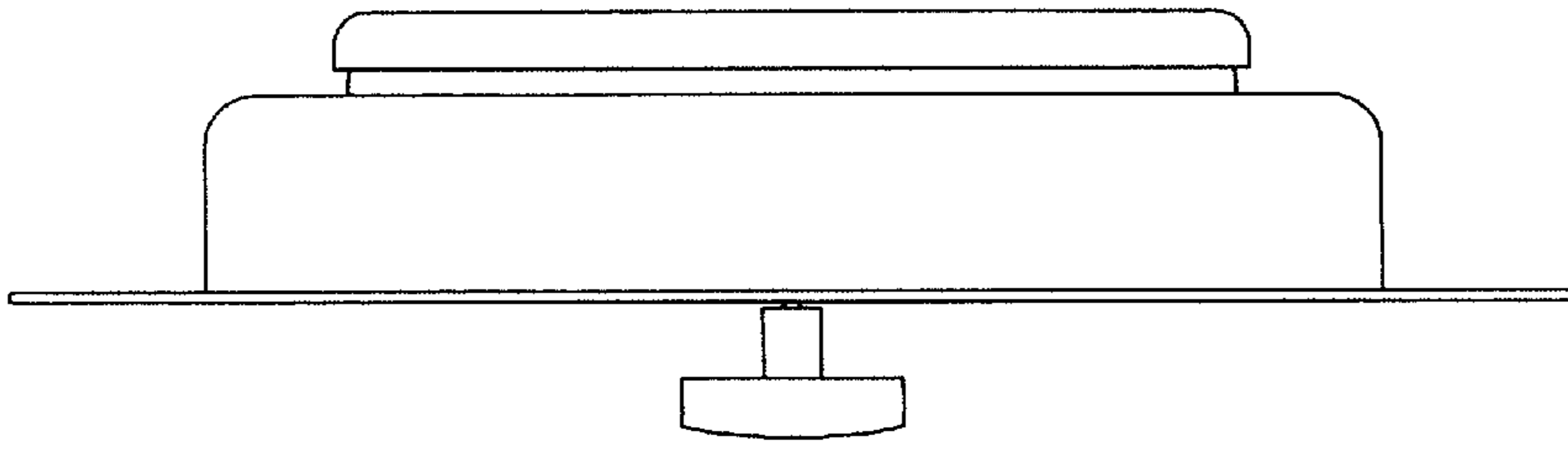


Fig. 5

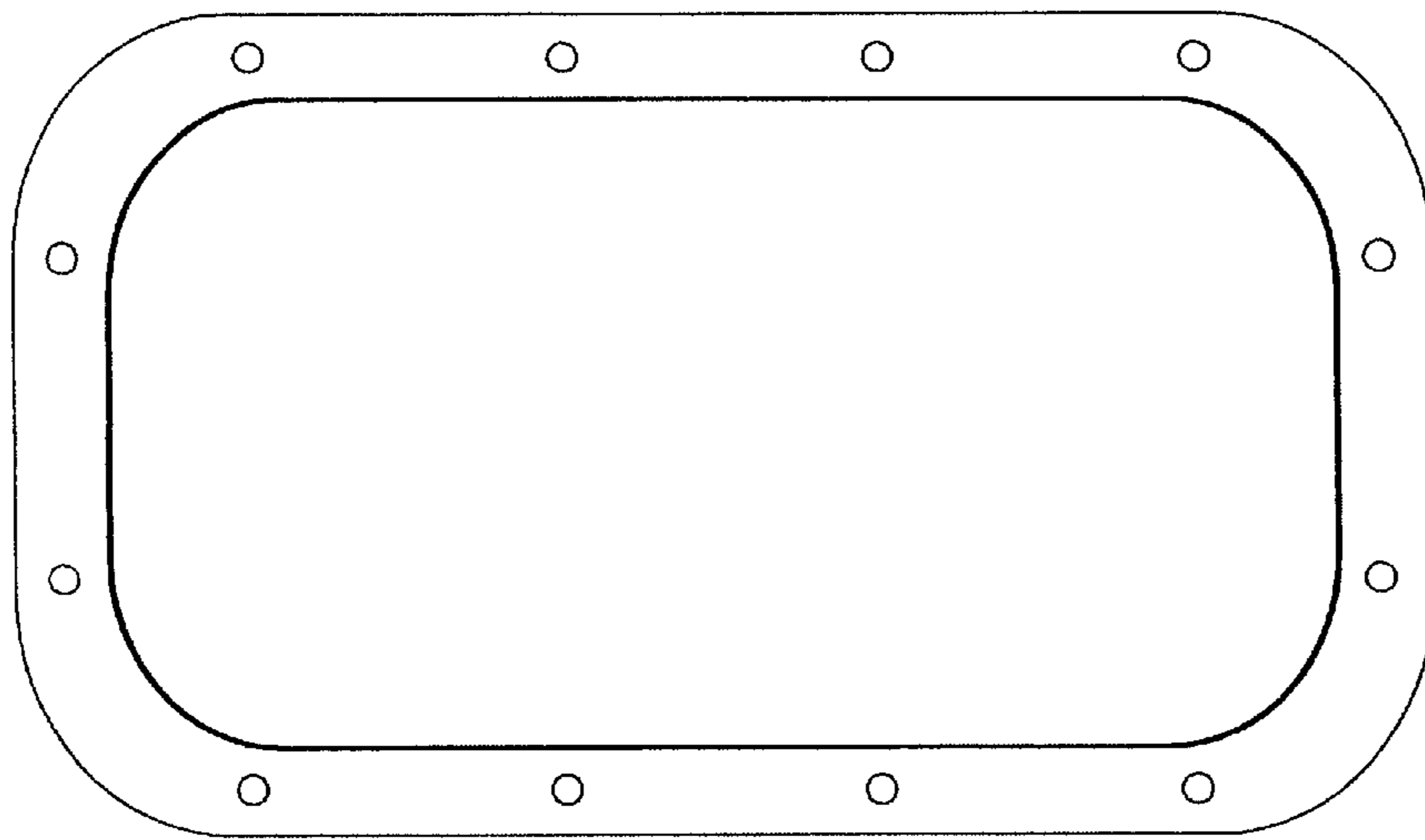


Fig. 6

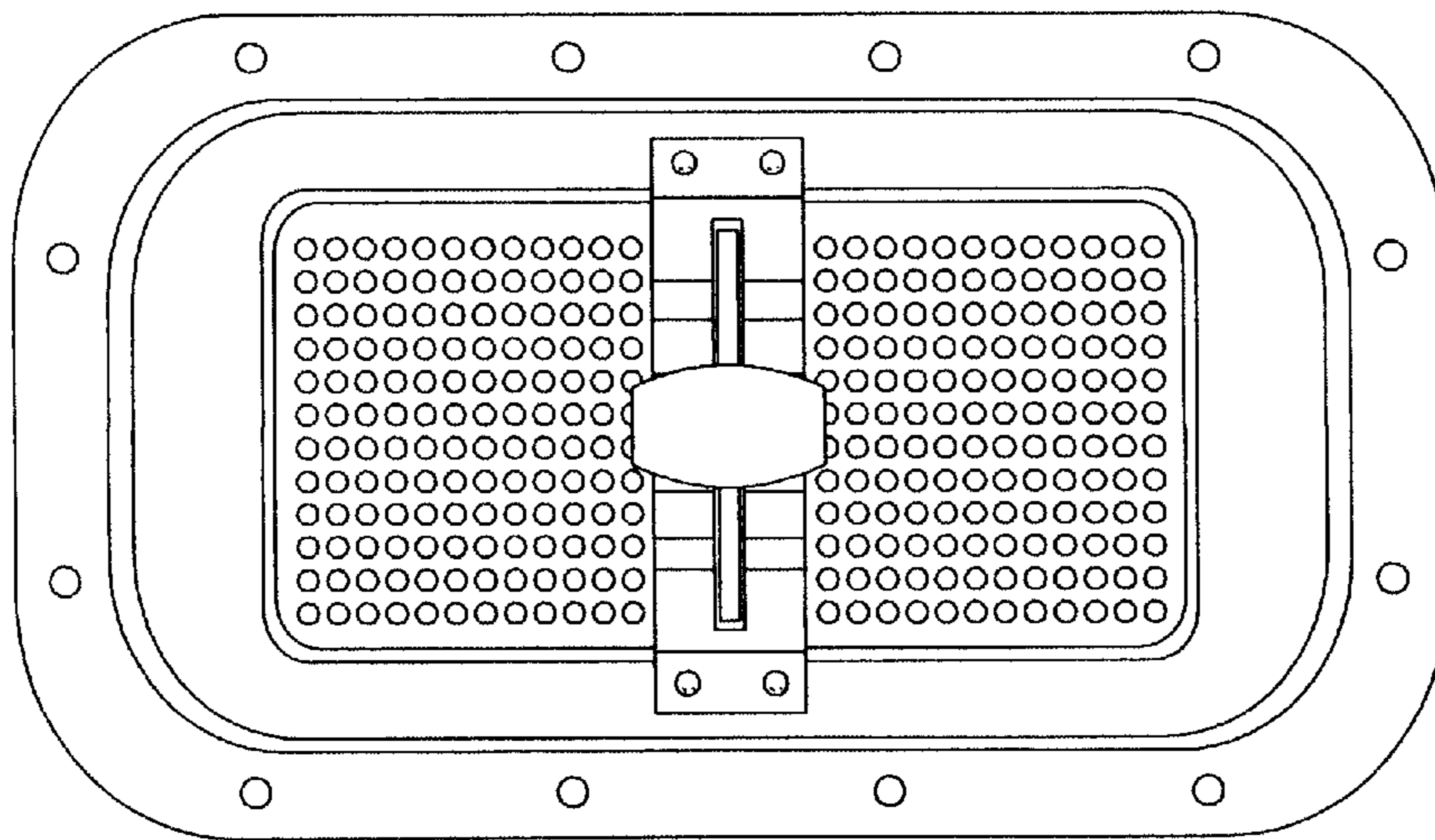


Fig. 7

UNITED STATES PATENT AND TRADEMARK OFFICE
CERTIFICATE OF CORRECTION

PATENT NO. : Des. 461,551 S
DATED : August 13, 2002
INVENTOR(S) : Gregg A. Teskey and Brian Winland

Page 1 of 1

It is certified that error appears in the above-identified patent and that said Letters Patent is hereby corrected as shown below:

Title page,

Item [75], Inventors: please add "**Brian Winland**" as the second inventor.

Signed and Sealed this

Tenth Day of December, 2002

A handwritten signature in black ink, appearing to read "James E. Rogan", written over a horizontal line.

JAMES E. ROGAN
Director of the United States Patent and Trademark Office