



US00D461550S

(12) **United States Design Patent**
Hsin-mao

(10) **Patent No.:** **US D461,550 S**

(45) **Date of Patent:** **** Aug. 13, 2002**

(54) **COOLING DEVICE**

D408,514 S * 4/1999 Horng D23/379

(76) Inventor: **Hsieh Hsin-mao**, No. 6, East Section,
Chiao Nan Li, Industrial 6th Rd.,
Pingtung City, Pingtung Hsien (TW)

* cited by examiner

Primary Examiner—Lisa Lichtenstein
(74) *Attorney, Agent, or Firm*—Troxell Law Office PLLC

(**) Term: **14 Years**

(57) **CLAIM**

(21) Appl. No.: **29/151,826**

The ornamental design for a cooling device, as shown and described.

(22) Filed: **Dec. 12, 2001**

DESCRIPTION

(51) **LOC (7) Cl.** **23-04**

(52) **U.S. Cl.** **D23/370**

(58) **Field of Search** D23/370, 379;
415/176, 177, 178, 211.2; 361/697, 695,
694; 165/80.3, 121, 122; D14/114

FIG. 1 is a front elevational view of a cooling device showing this new design;
FIG. 2 is a left side elevational view thereof;
FIG. 3 is a right elevational view thereof;
FIG. 4 is a top plan view thereof;
FIG. 5 is a bottom plan view thereof;
FIG. 6 is a rear elevational view thereof; and,
FIG. 7 is a perspective view thereof.

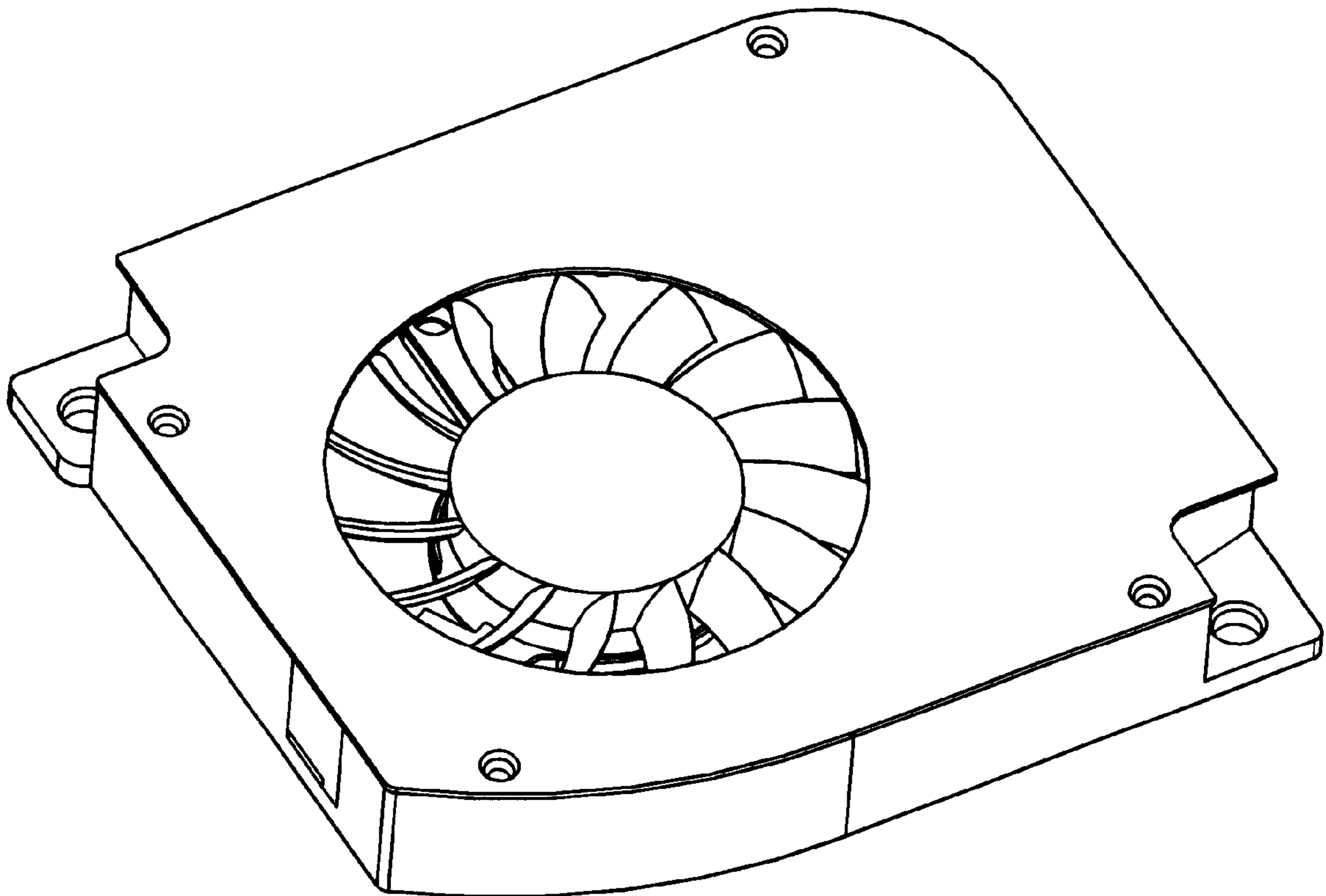
(56) **References Cited**

U.S. PATENT DOCUMENTS

D403,755 S * 1/1999 Liang D23/379

D403,760 S * 1/1999 Kodaira et al. D23/379

1 Claim, 4 Drawing Sheets



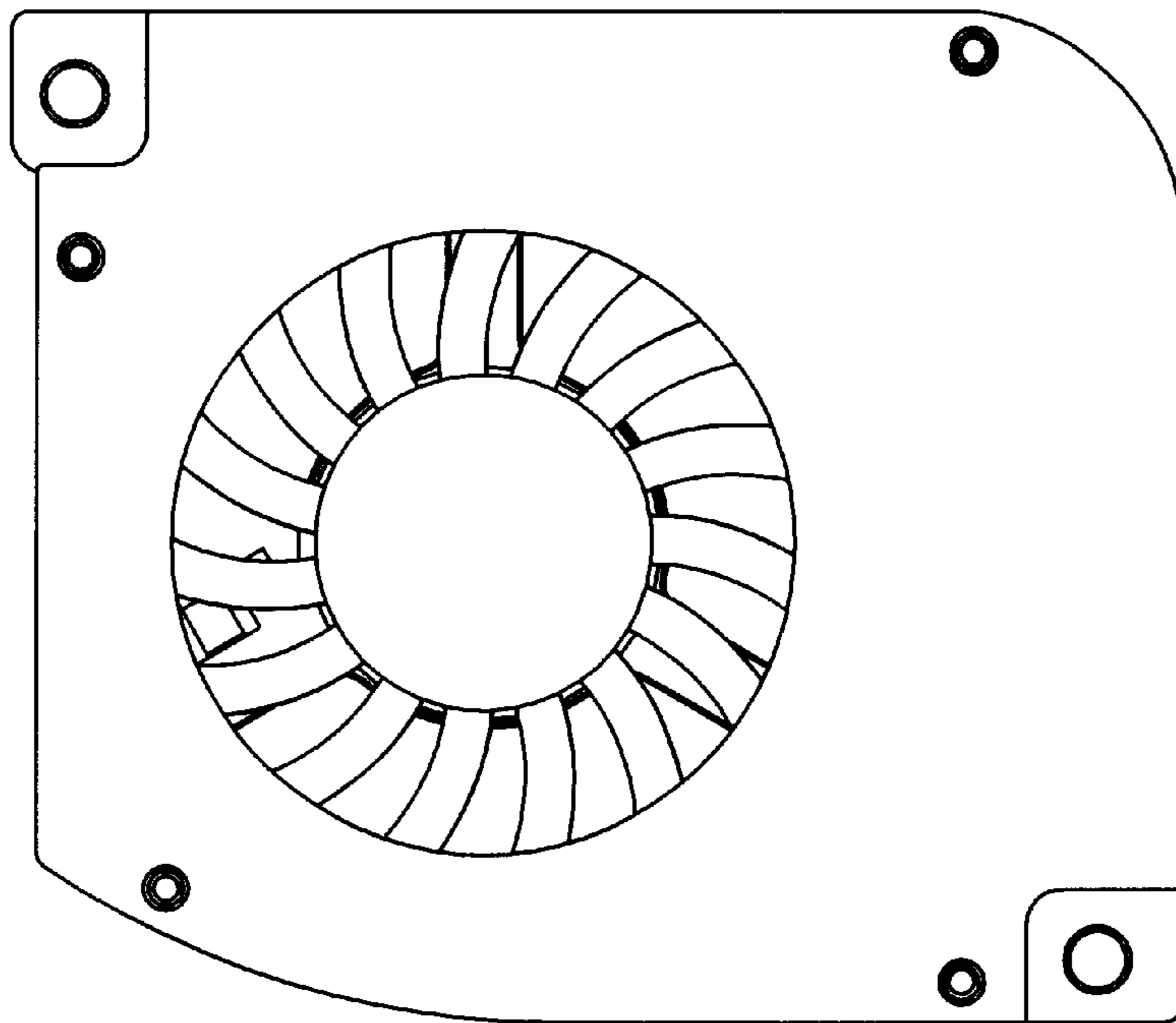


FIG. 1

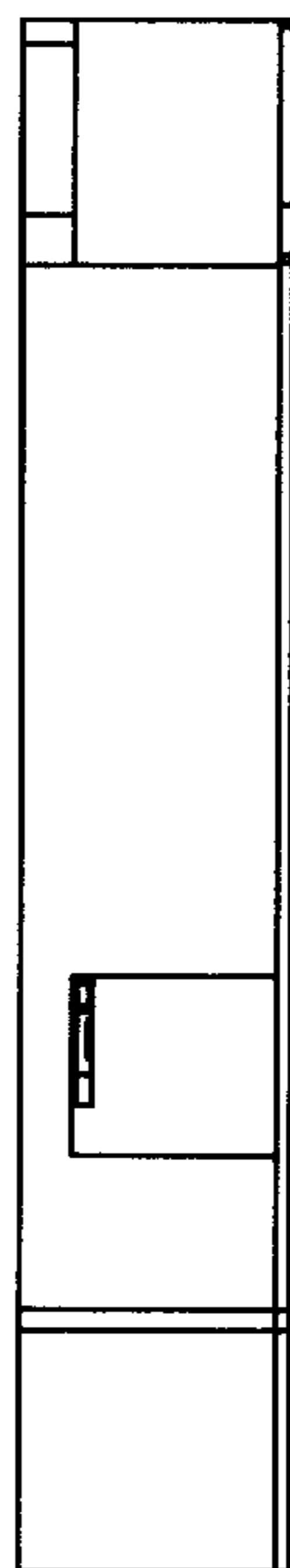


FIG. 2

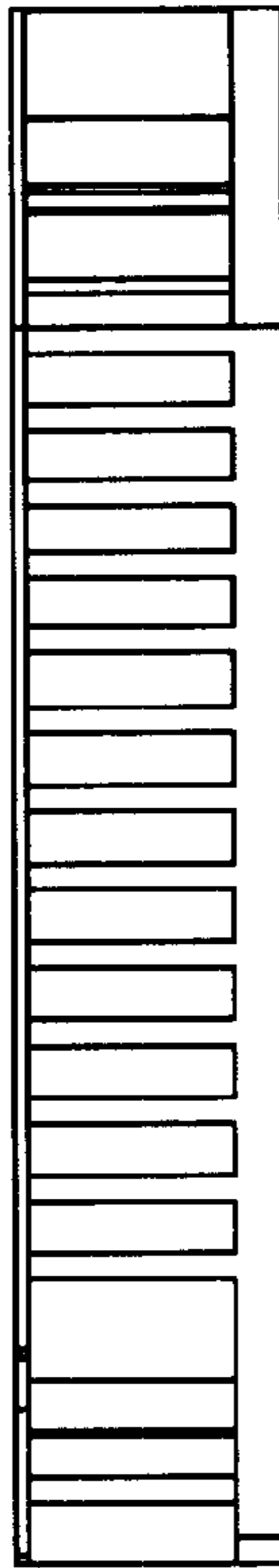


FIG. 3

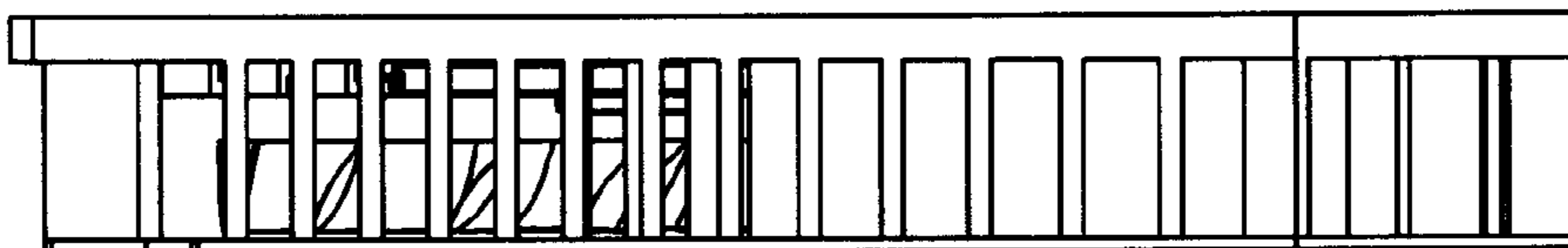


FIG. 4

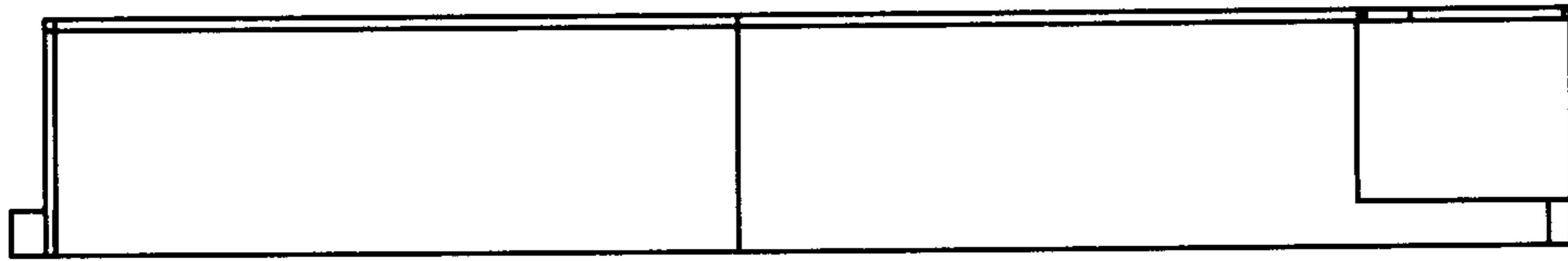


FIG. 5

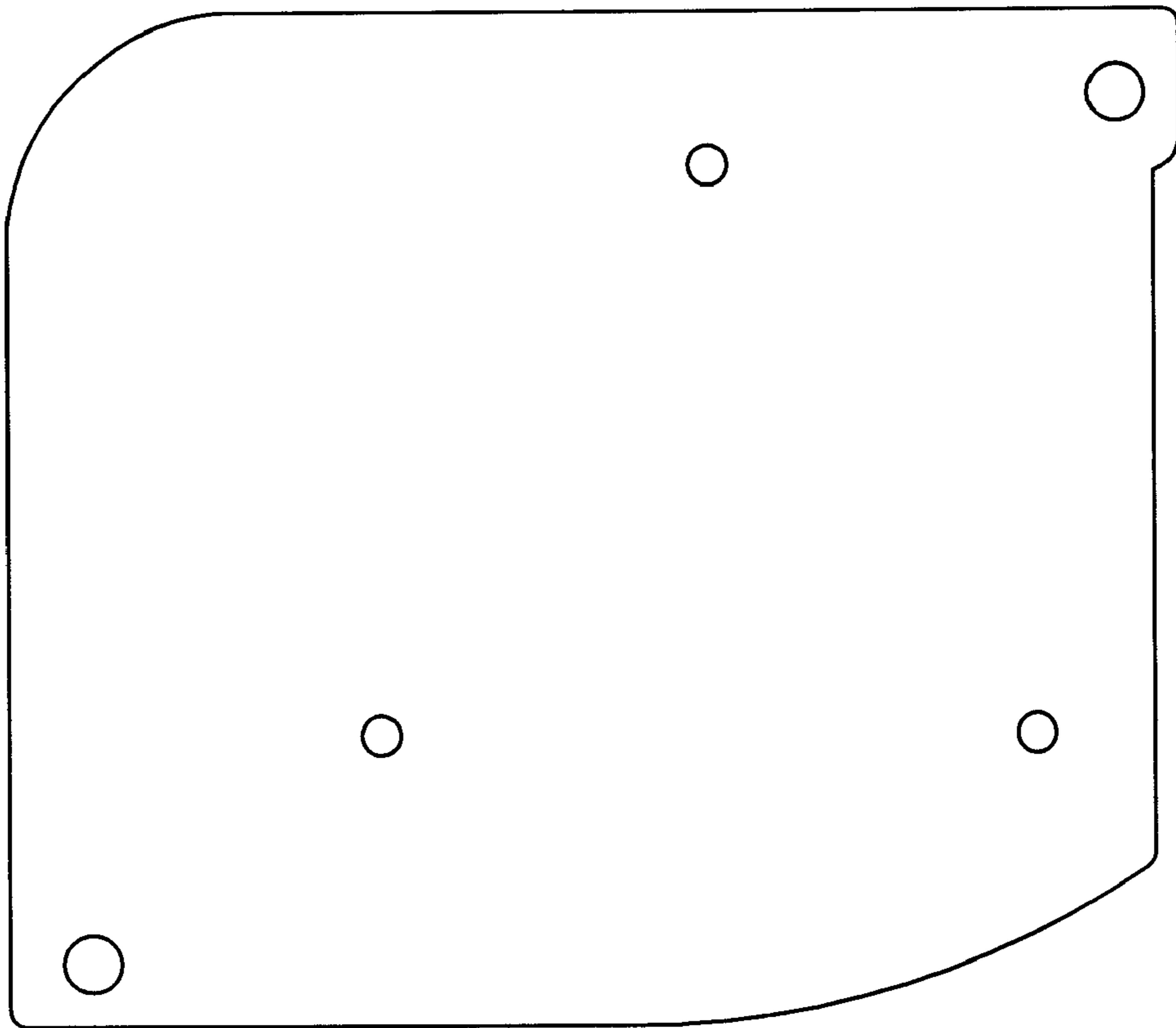


FIG. 6

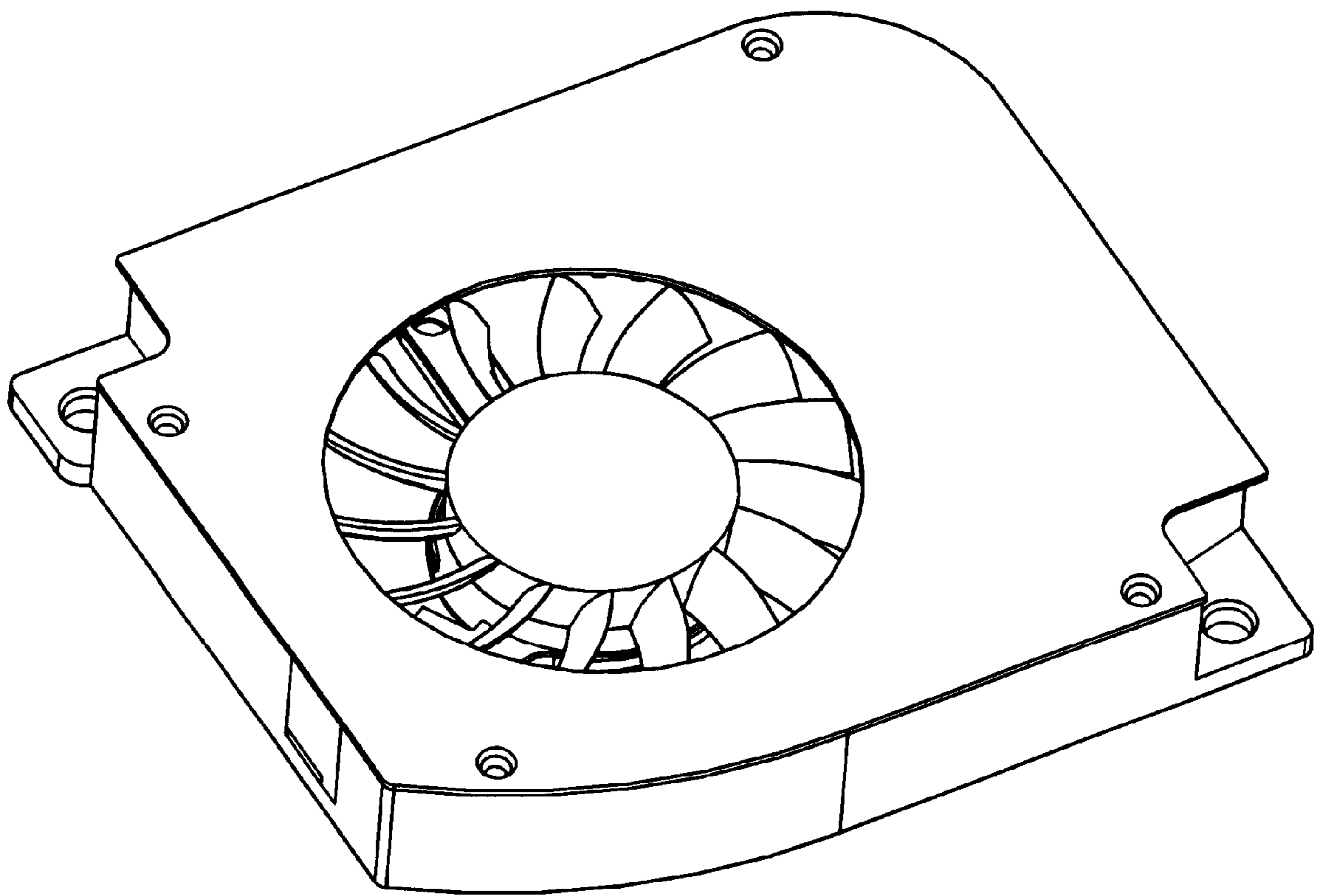


FIG. 7