



US00D461548S

(12) **United States Design Patent**
Hsieh

(10) **Patent No.:** **US D461,548 S**

(45) **Date of Patent:** **** Aug. 13, 2002**

(54) **HEATER**

(76) Inventor: **Tsung-Han Hsieh**, No. 215, Fu-Te 2 Rd., Hsi-Chih City Taipei Hsien (TW)

(**) Term: **14 Years**

(21) Appl. No.: **29/146,680**

(22) Filed: **Aug. 13, 2001**

(51) **LOC (7) Cl.** **23-03**

(52) **U.S. Cl.** **D23/342**

(58) **Field of Search** D23/332, 342;
126/25 R, 67, 92 A, 92 B

(56) **References Cited**

U.S. PATENT DOCUMENTS

- D429,324 S * 8/2000 Olson et al. D23/342
- 6,192,878 B1 * 2/2001 Waters 126/92 B
- D446,290 S * 8/2001 Jeng D23/342
- D451,988 S * 12/2001 Ashton et al. D23/332

D452,301 S * 12/2001 Schwartz et al. D23/342

* cited by examiner

Primary Examiner—B. J. Bullock

(74) *Attorney, Agent, or Firm*—Dellett and Walters

(57) **CLAIM**

The ornamental design for a heater, as shown.

DESCRIPTION

FIG. 1 is a perspective view of a heater, showing my new design;

FIG. 2 is a front view thereof;

FIG. 3 is a rear view thereof;

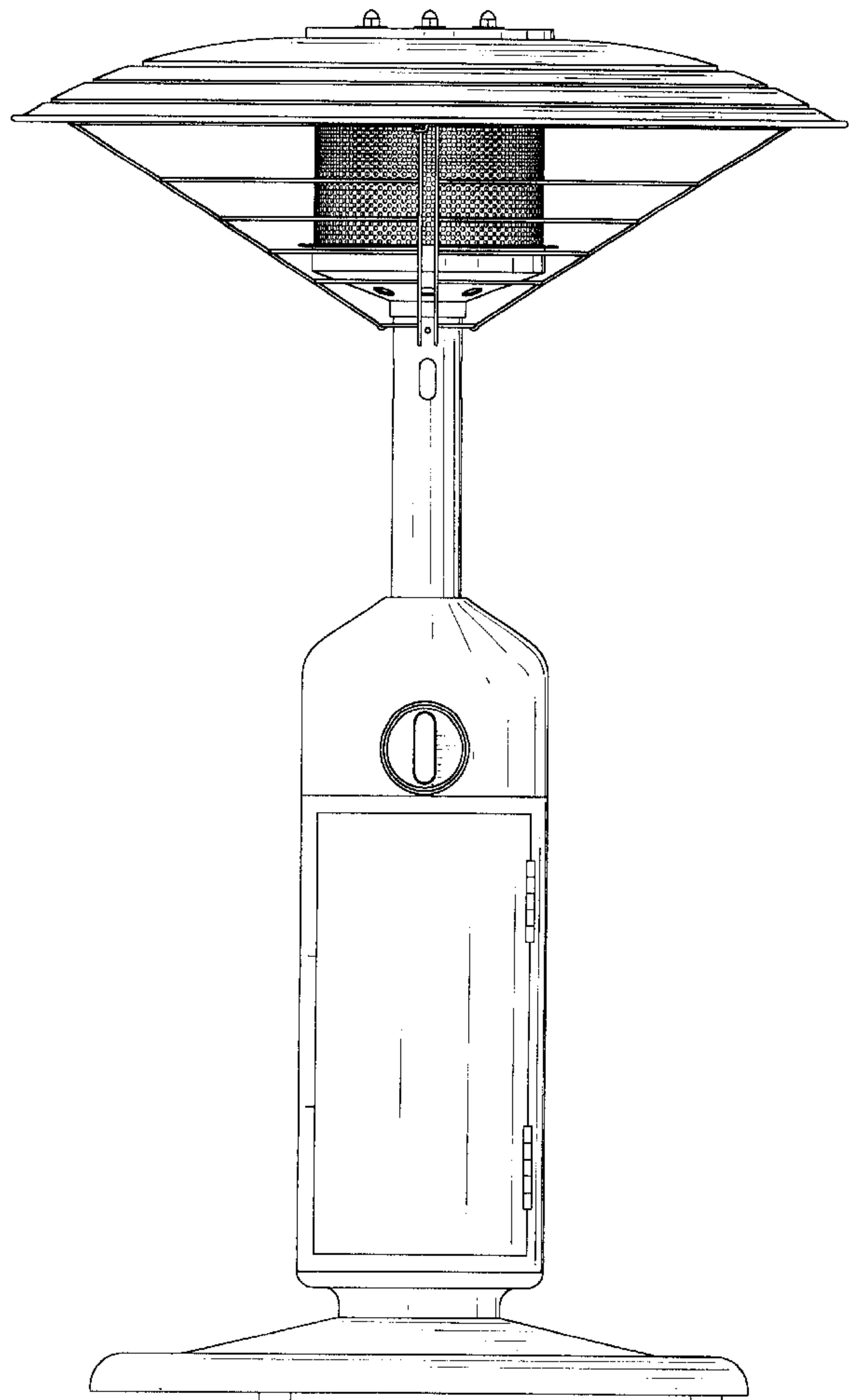
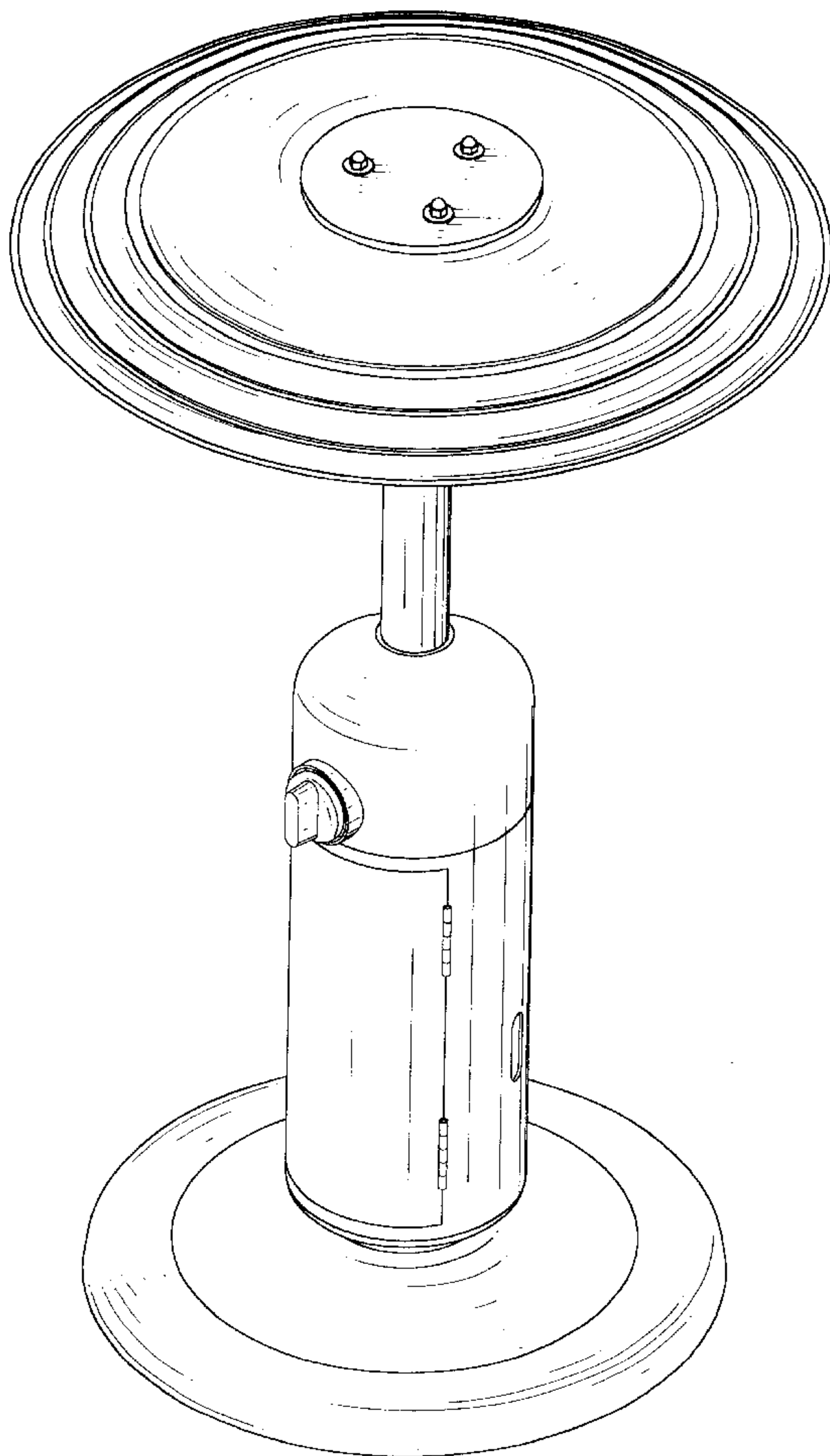
FIG. 4 is a left side view thereof;

FIG. 5 is a right side view thereof;

FIG. 6 is a top plan view thereof; and,

FIG. 7 is a bottom plan view thereof.

1 Claim, 7 Drawing Sheets



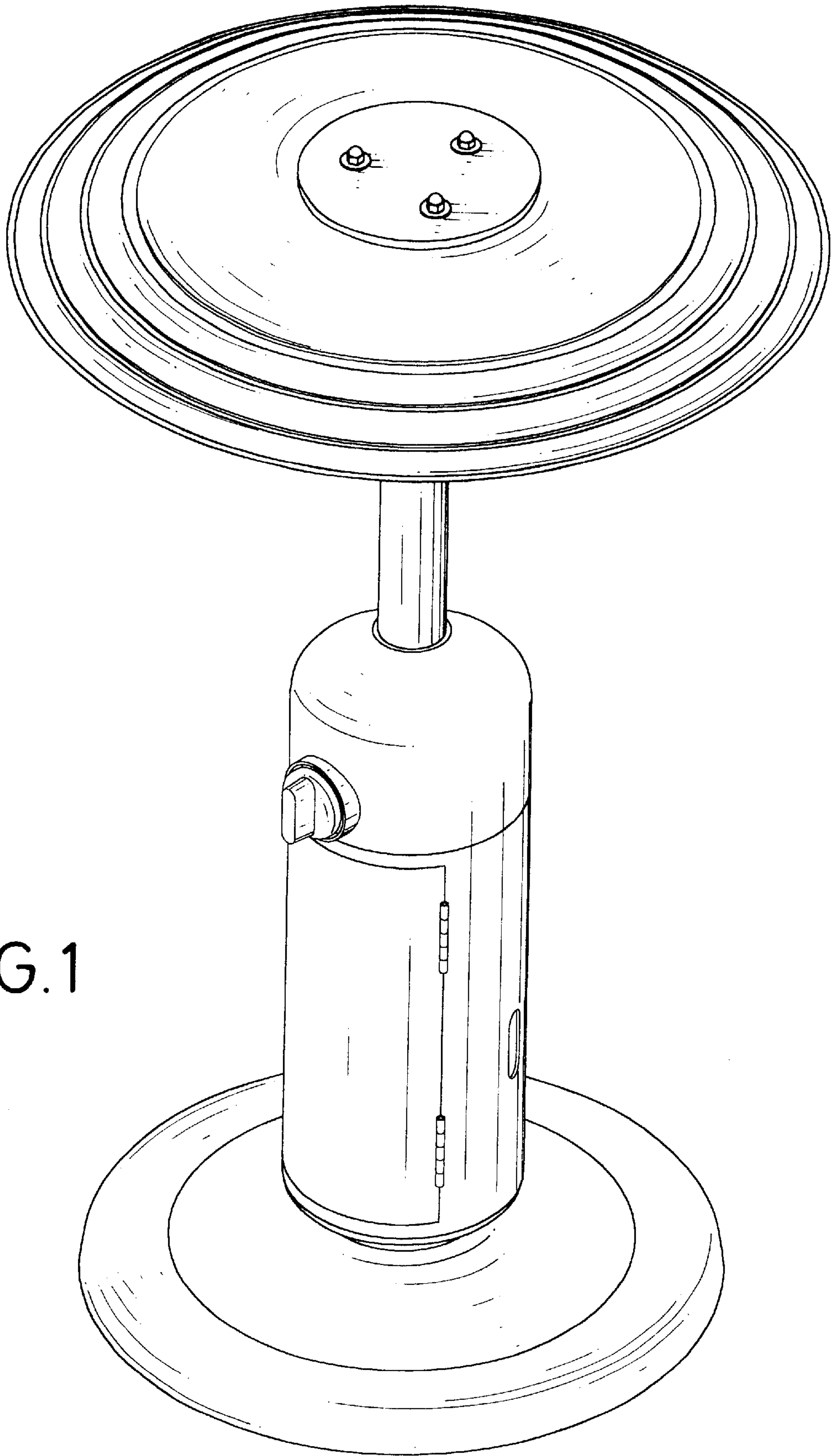


FIG. 1

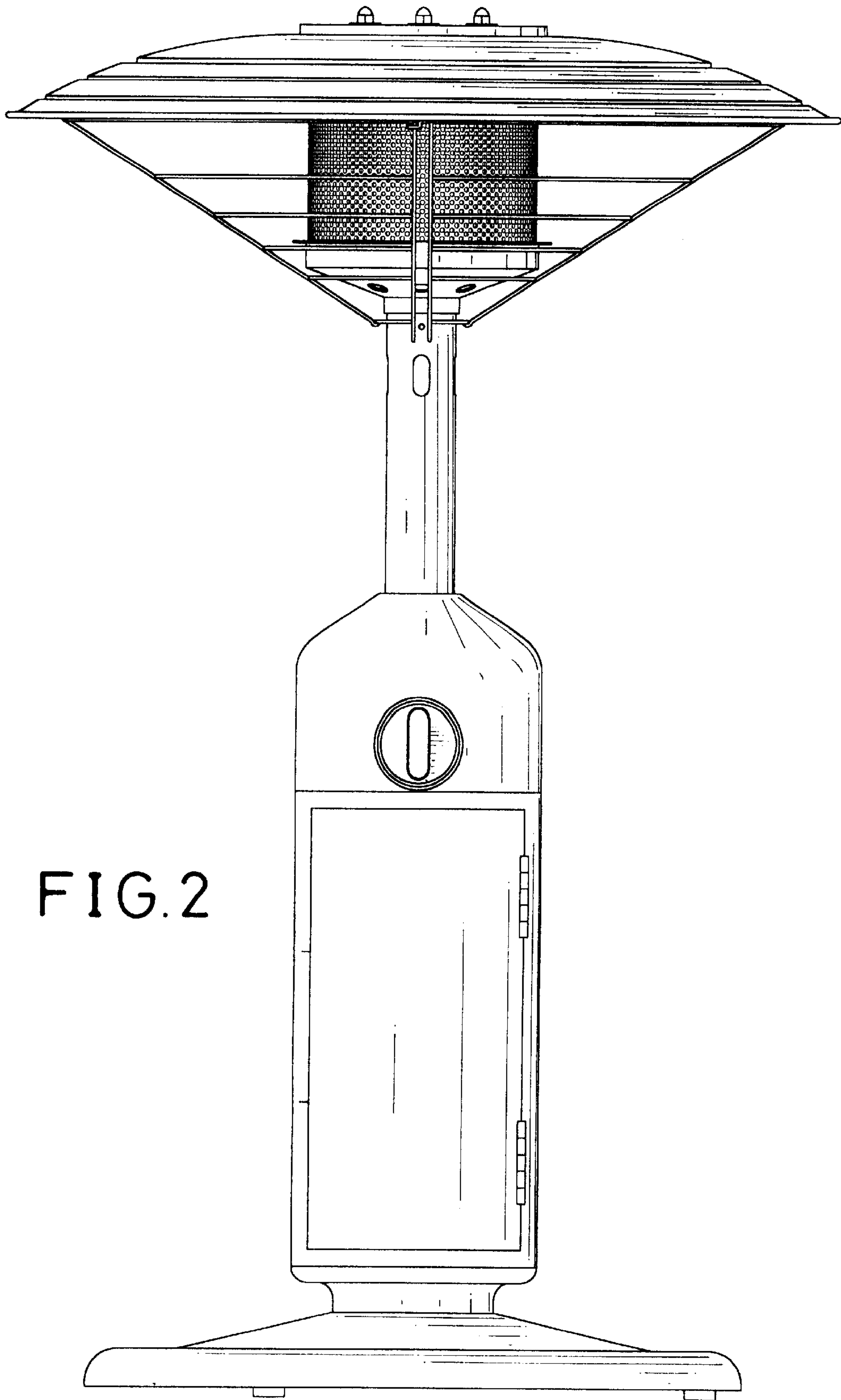


FIG. 2

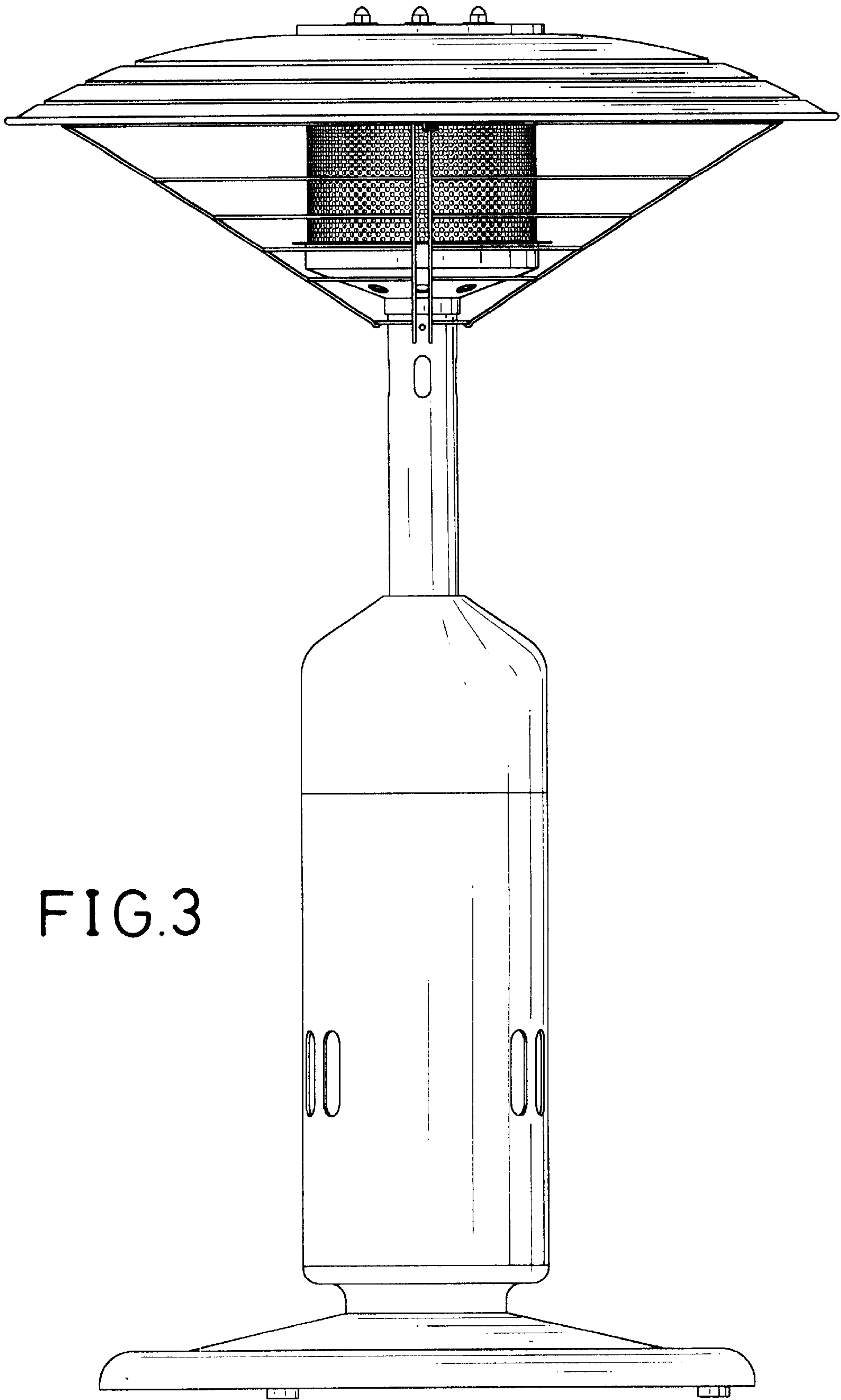


FIG.3

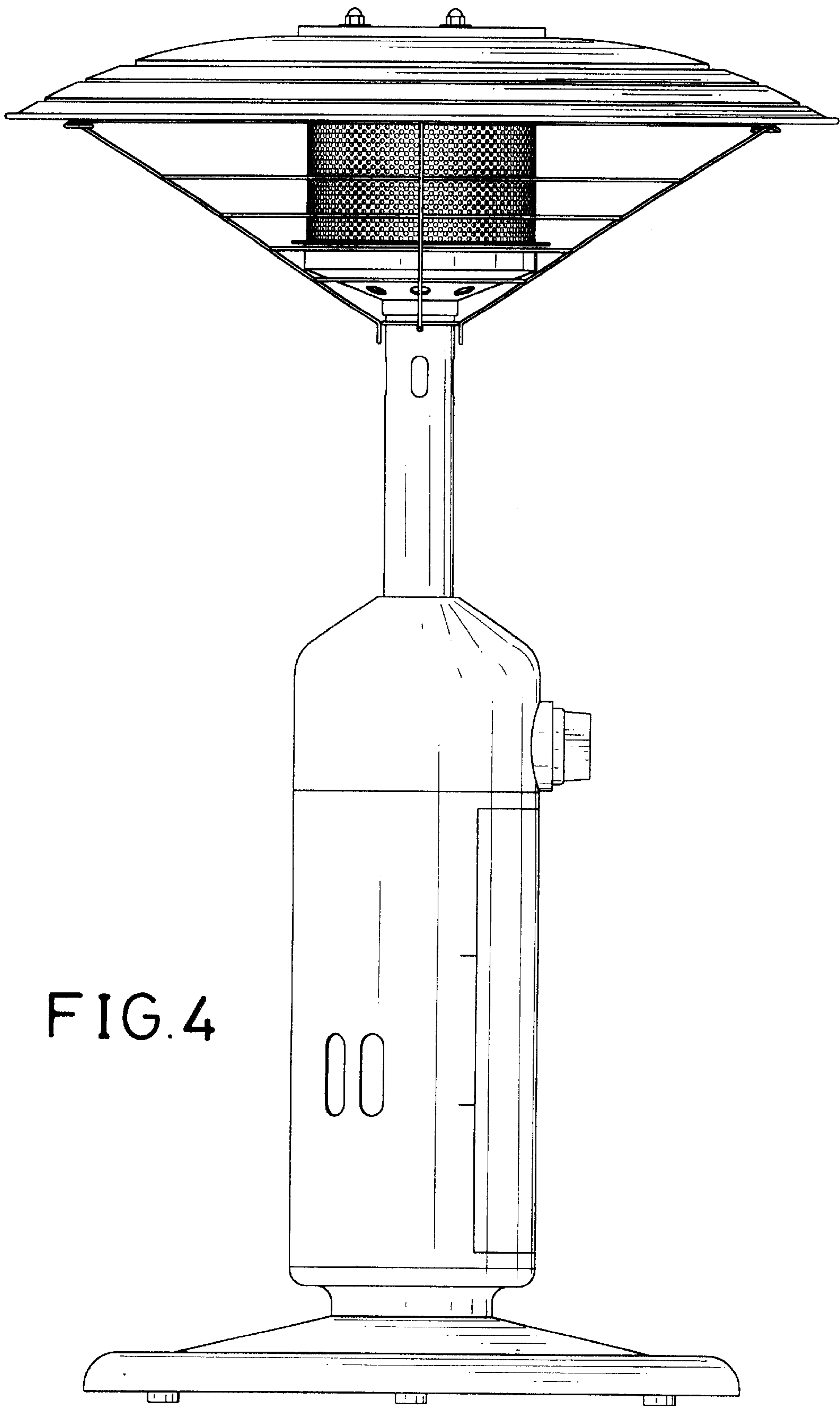


FIG. 4

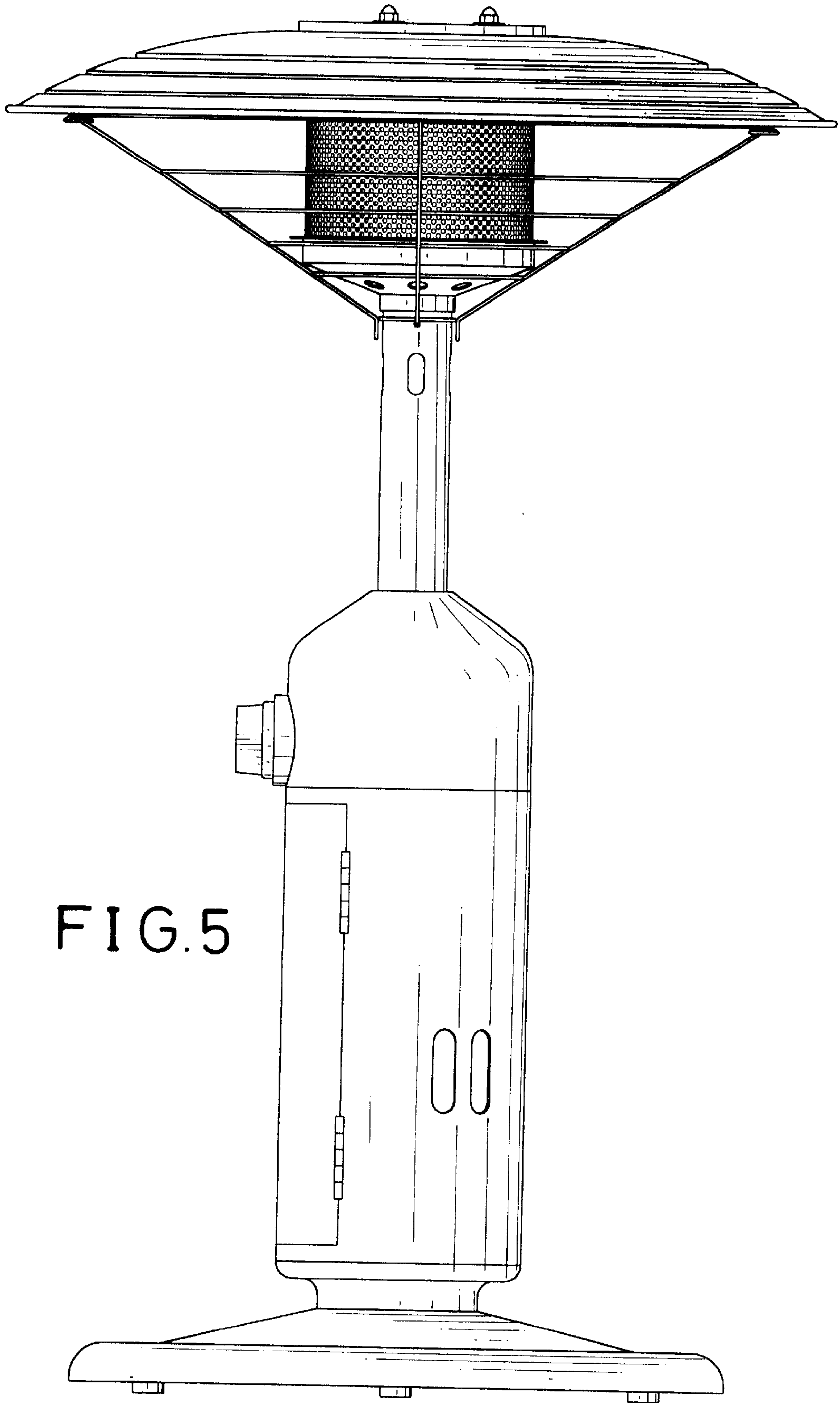


FIG. 5

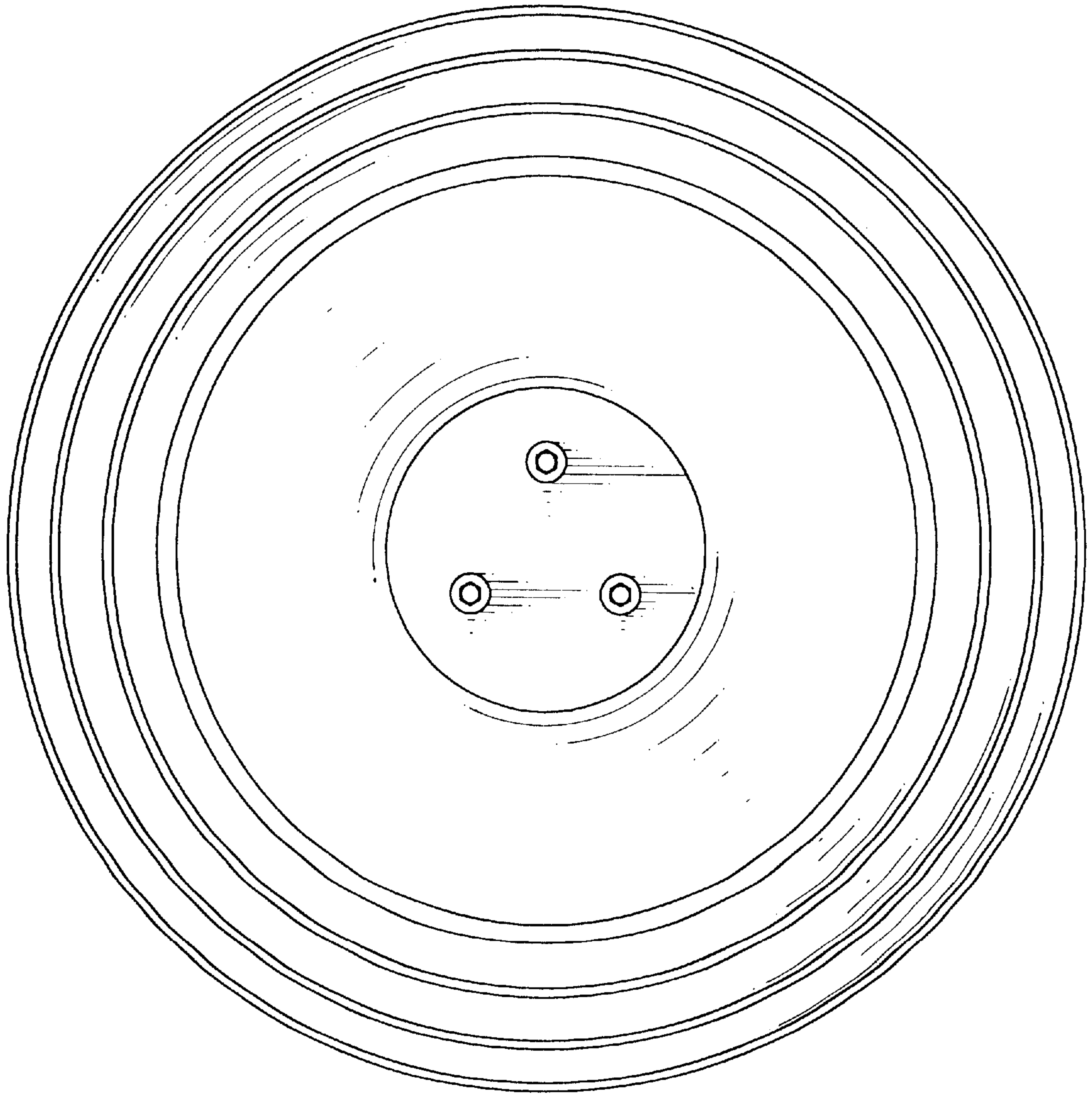


FIG. 6

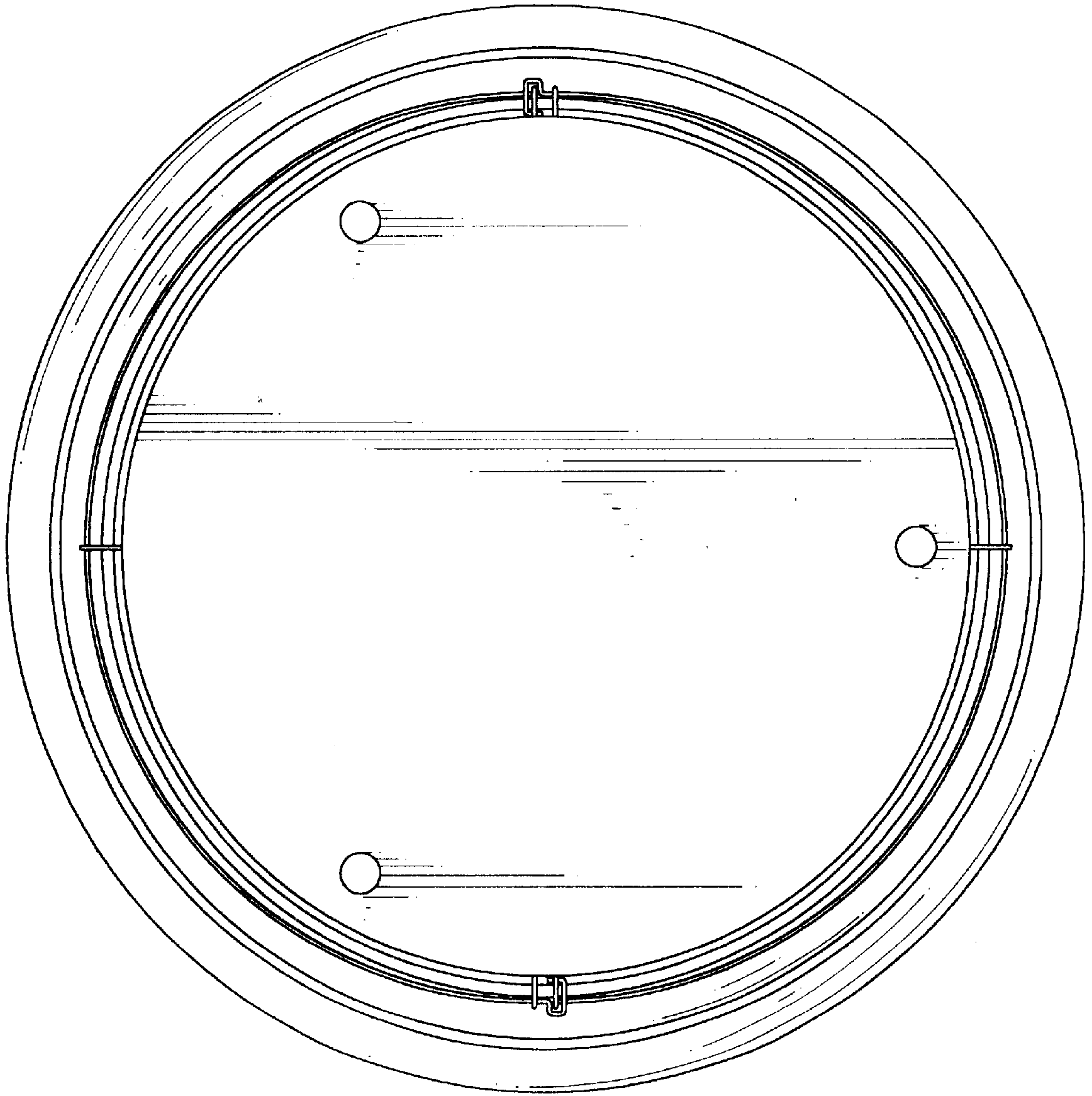


FIG. 7