



US00D461547S

(12) **United States Design Patent**
Christian, Sr.

(10) **Patent No.:** **US D461,547 S**

(45) **Date of Patent:** **** Aug. 13, 2002**

(54) **VENTILATED TOILET SEAT**

6,260,215 B1 * 7/2001 Miller 4/217

(76) Inventor: **James R Christian, Sr.**, 4631 Ivywood
Dr. SW., Atlanta, GA (US) 30331

* cited by examiner

(**) Term: **14 Years**

Primary Examiner—Louis S. Zarfes
Assistant Examiner—Robert A. Delehanty

(21) Appl. No.: **29/142,495**

(57) **CLAIM**

(22) Filed: **May 25, 2001**

The ornamental design for a ventilated toilet seat, as shown and described.

(51) **LOC (7) Cl.** **23-02**

DESCRIPTION

(52) **U.S. Cl.** **D23/311**

(58) **Field of Search** D23/295–299,
D23/303, 309, 311–312; 4/663, 347, 209 R,
217, 216, 234, 237–239, 902, DIG. 6, 235

FIG. 1 is a front elevational view of the ventilated toilet seat of the present invention;

FIG. 2 is a rear elevational view of the ventilated toilet seat of FIG. 1;

FIG. 3 is a left side elevational view of the ventilated toilet seat of FIG. 1;

FIG. 4 is a right side elevational view of the ventilated toilet seat of FIG. 1;

FIG. 5 is a top plan view of the ventilated toilet seat of FIG. 1;

FIG. 6 is a bottom plan view of the ventilated toilet seat of FIG. 1; and,

FIG. 7 is a front, left, top perspective view shown in a reduced scale in condition of use with a toilet bowl and tank.

The broken lines showing of a ventilation fan in FIGS. 1–7 and the toilet in FIG. 7 are for illustrative purposes only and form no part of the claimed design.

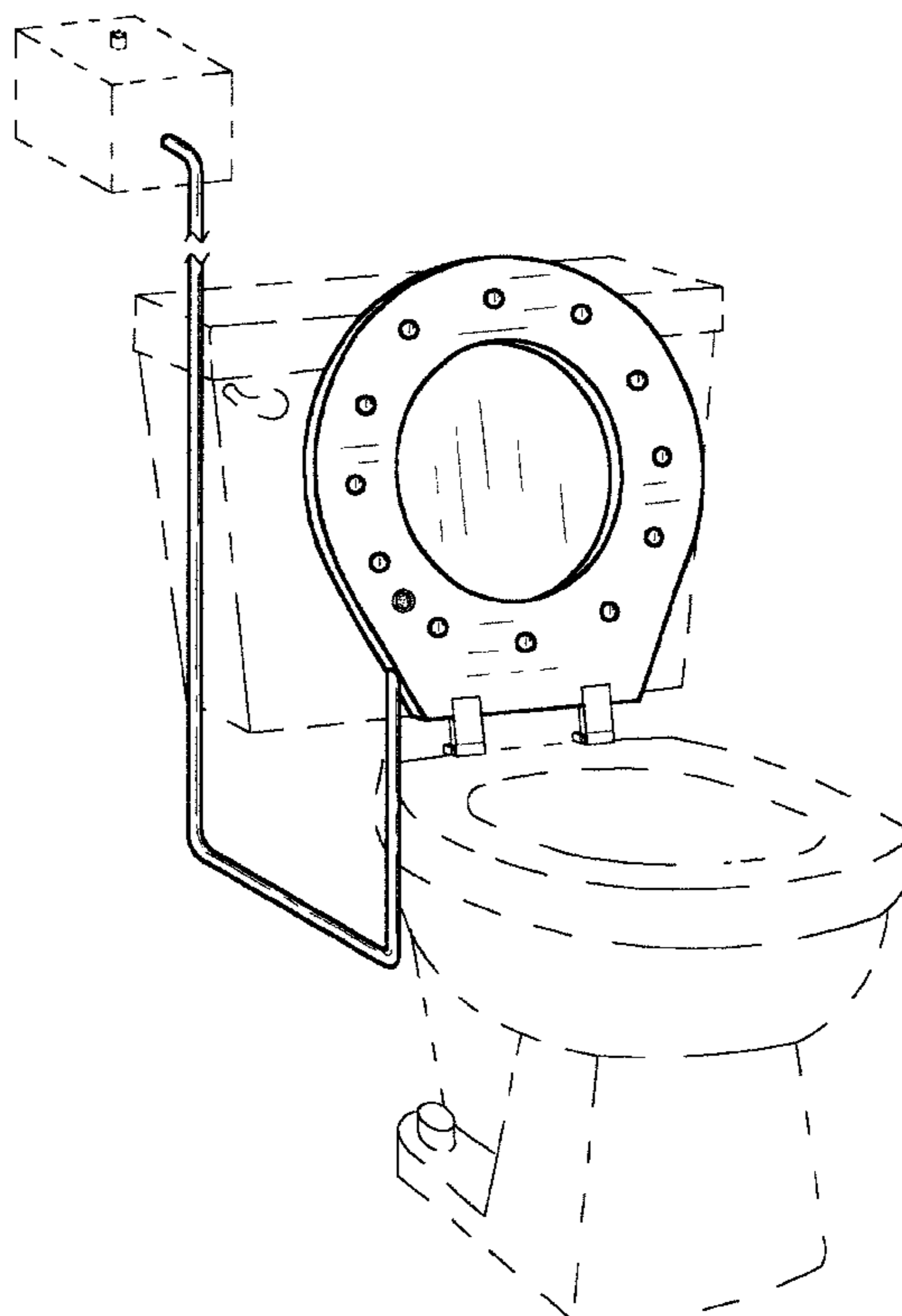
The ventilation exhaust rod shown in FIGS. 1–4 and 7 is shown broken away to indicate indeterminate length.

(56) **References Cited**

U.S. PATENT DOCUMENTS

616,843	A	*	12/1898	Hurst	4/209	R X
1,997,695	A	*	4/1935	Nielsen et al.	4/213	
2,309,885	A	*	2/1943	Carman	4/213	
2,519,286	A	*	8/1950	Riedele	4/217	
4,094,023	A	*	6/1978	Smith	4/217	X
4,251,888	A		2/1981	Turner			
4,620,329	A		11/1986	Wix			
4,780,913	A	*	11/1988	Williams	4/217	
5,010,600	A		4/1991	Prisco			
5,179,737	A		1/1993	Ricard			
D344,788	S		3/1994	Castro et al.			
5,355,536	A		10/1994	Prisco			
5,724,682	A	*	3/1998	Johnson	4/217	
5,996,131	A	*	12/1999	Vallair	4/209	R X
6,209,146	B1	*	4/2001	Gonzalez	4/209	R X

1 Claim, 5 Drawing Sheets



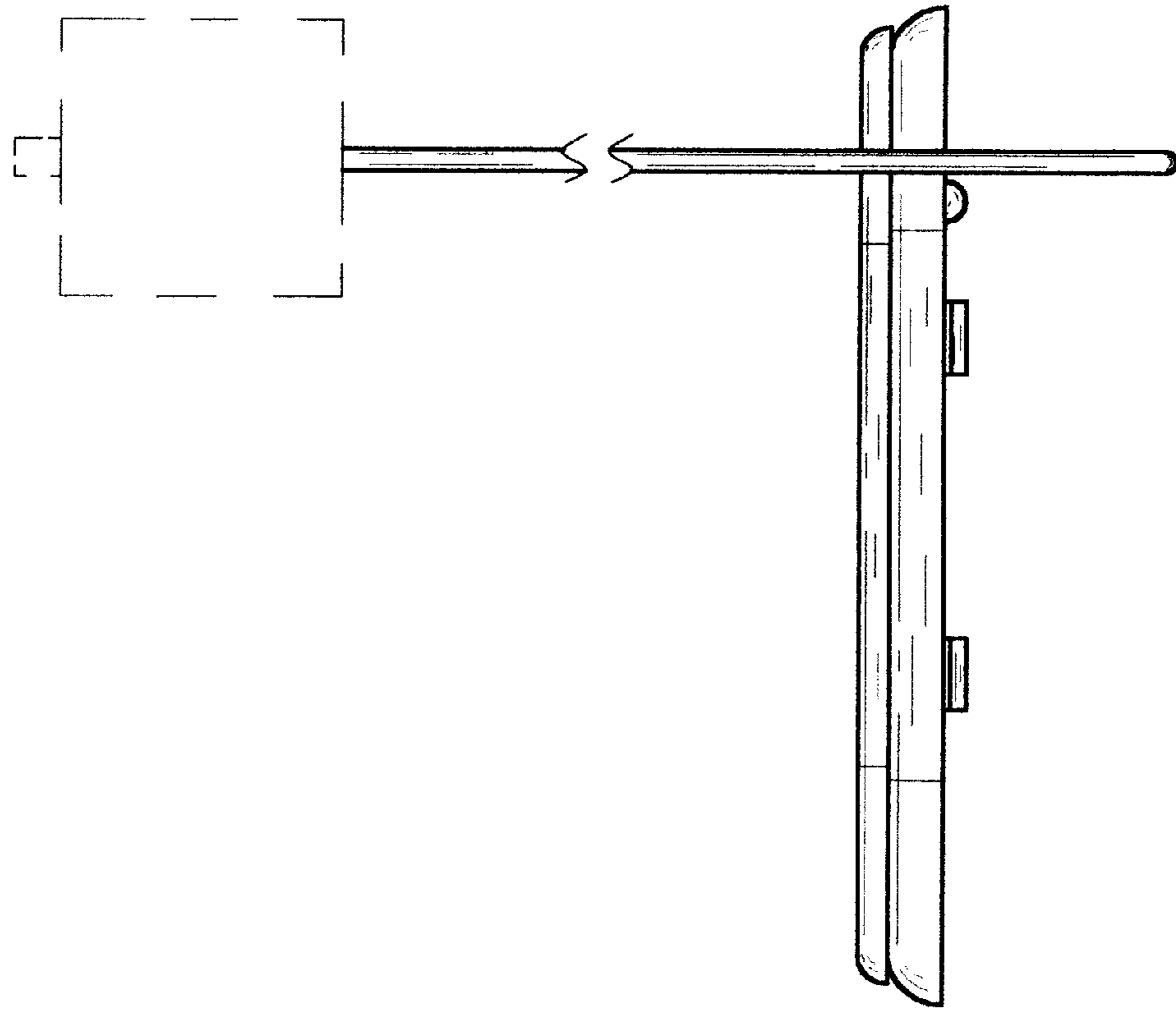


FIG. 1

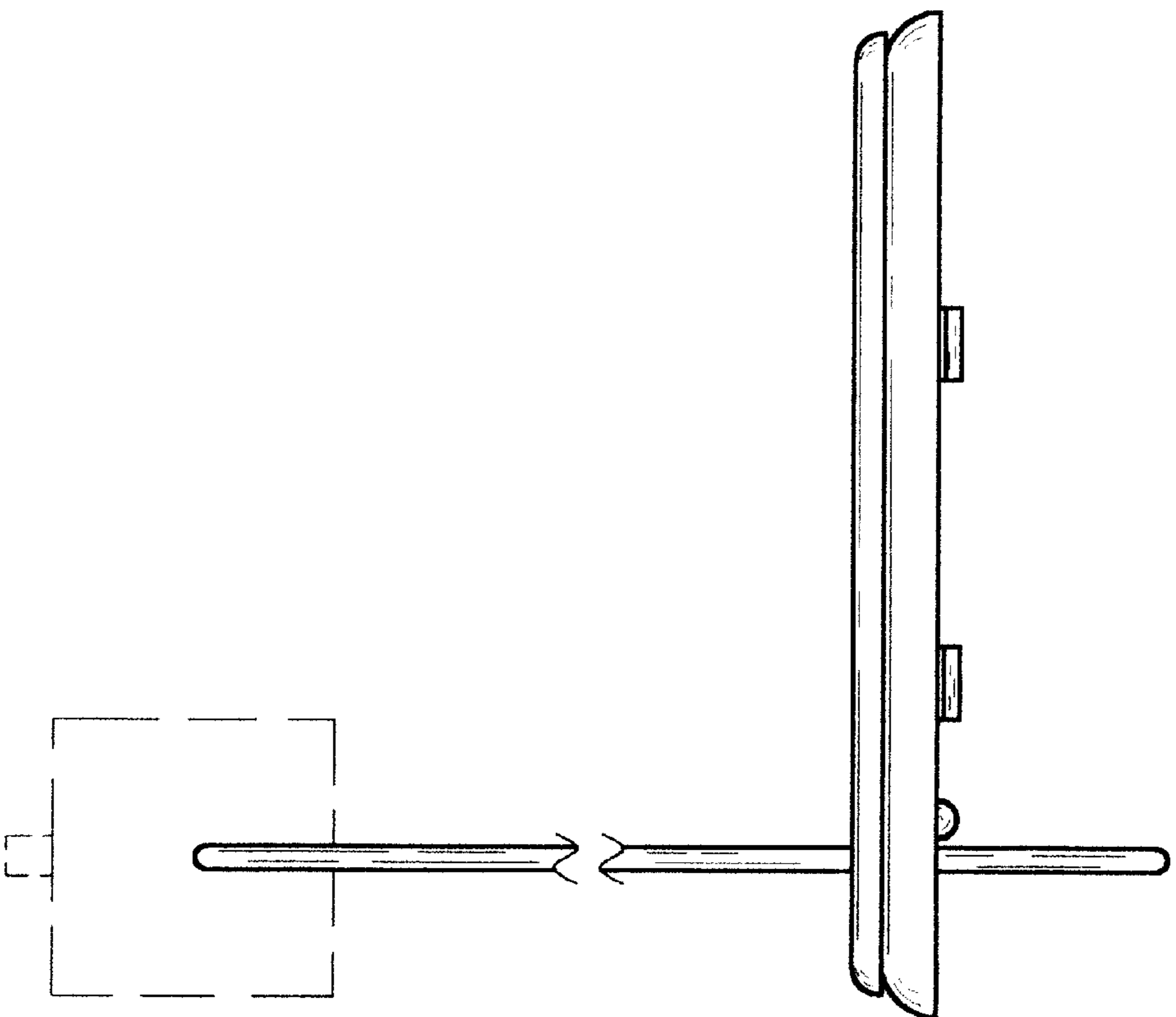


FIG. 2

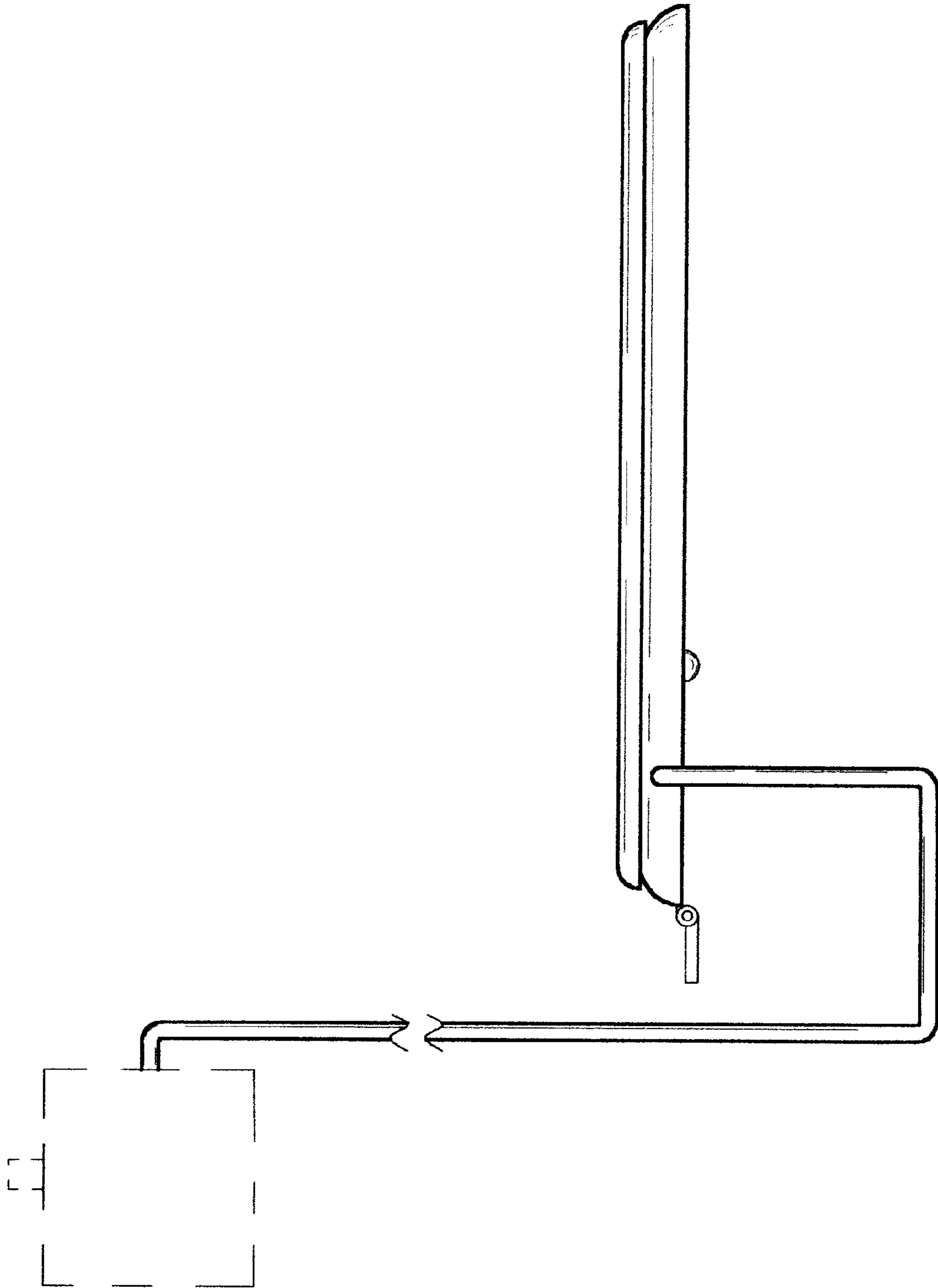


FIG. 3

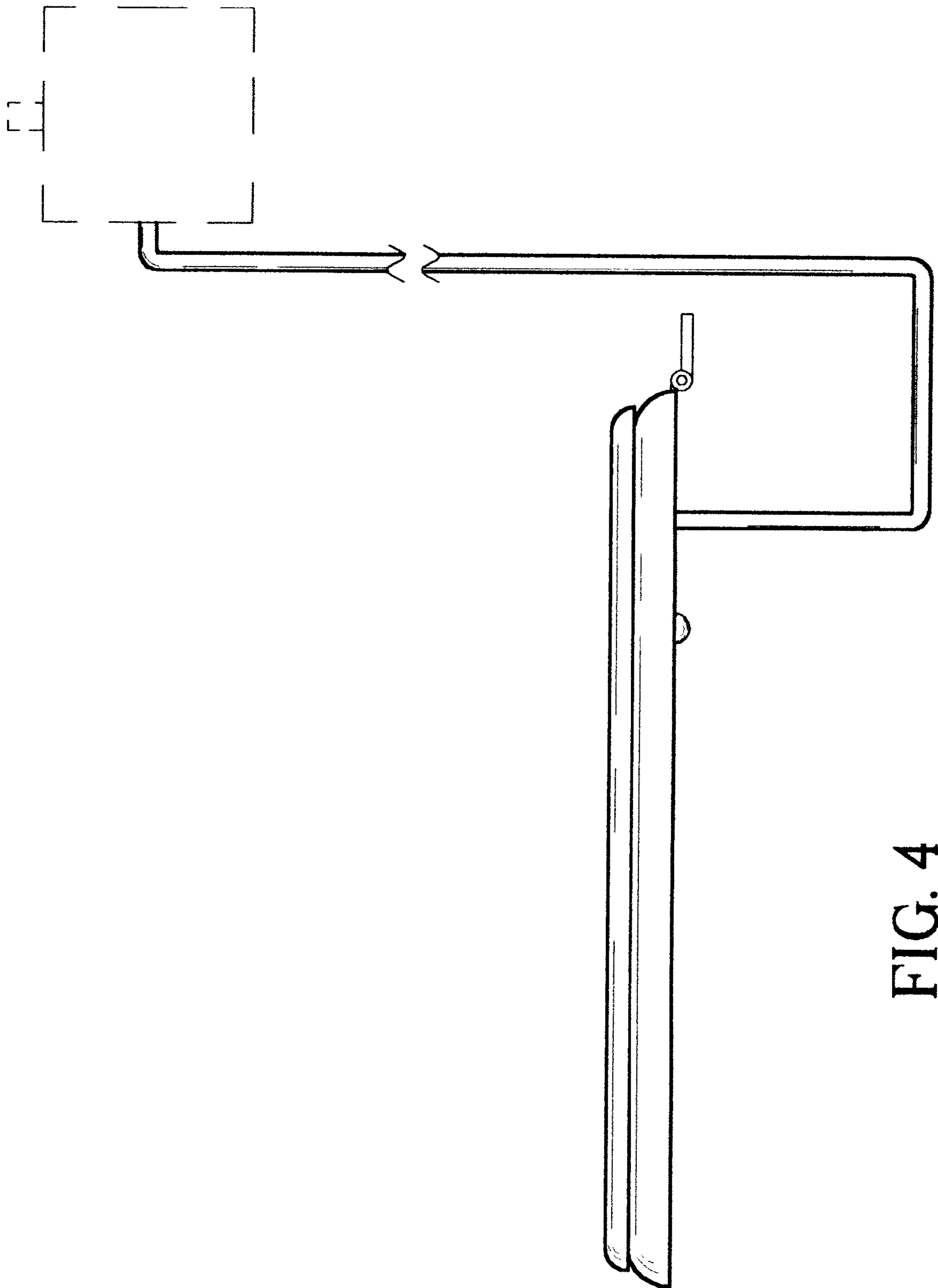


FIG. 4

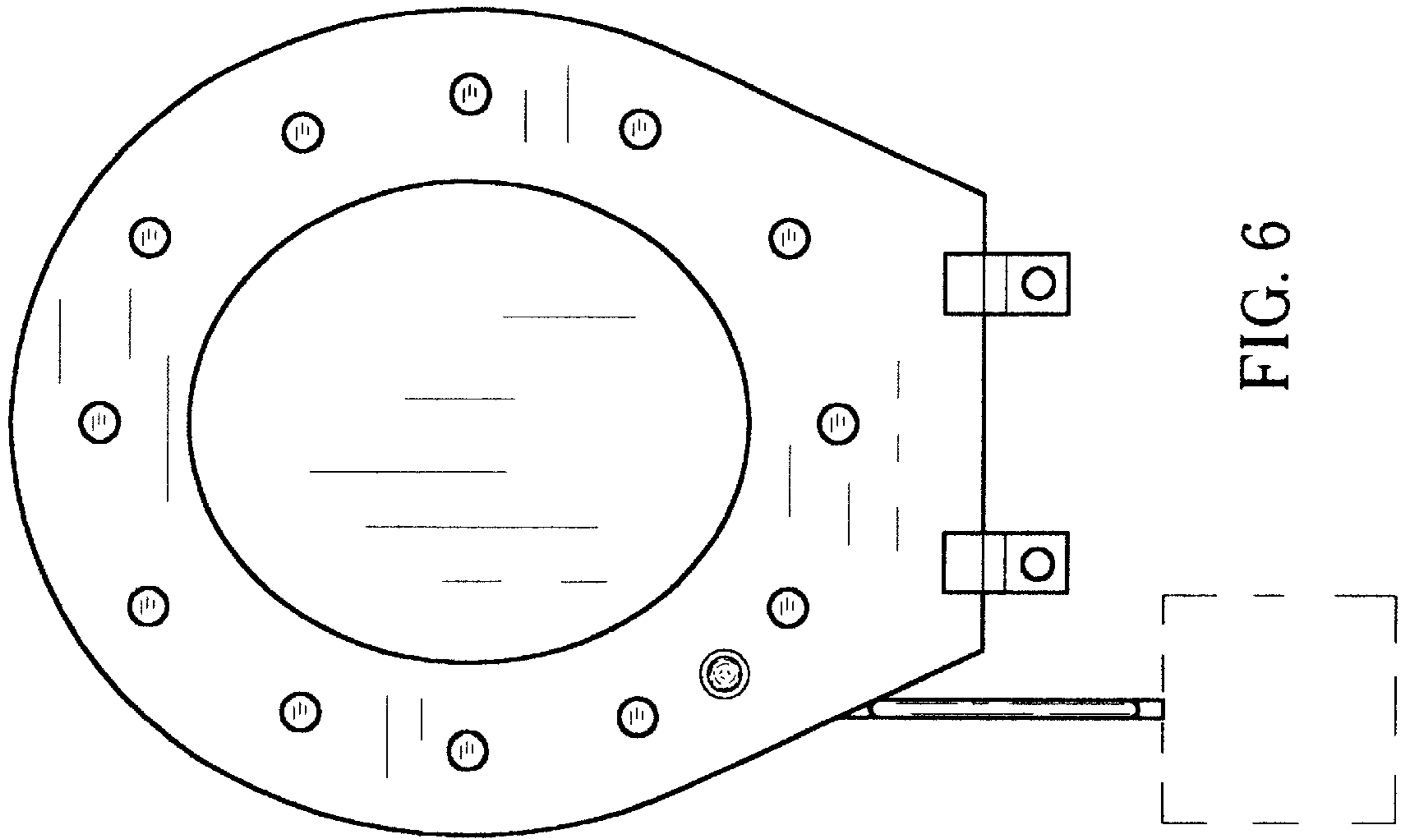


FIG. 5

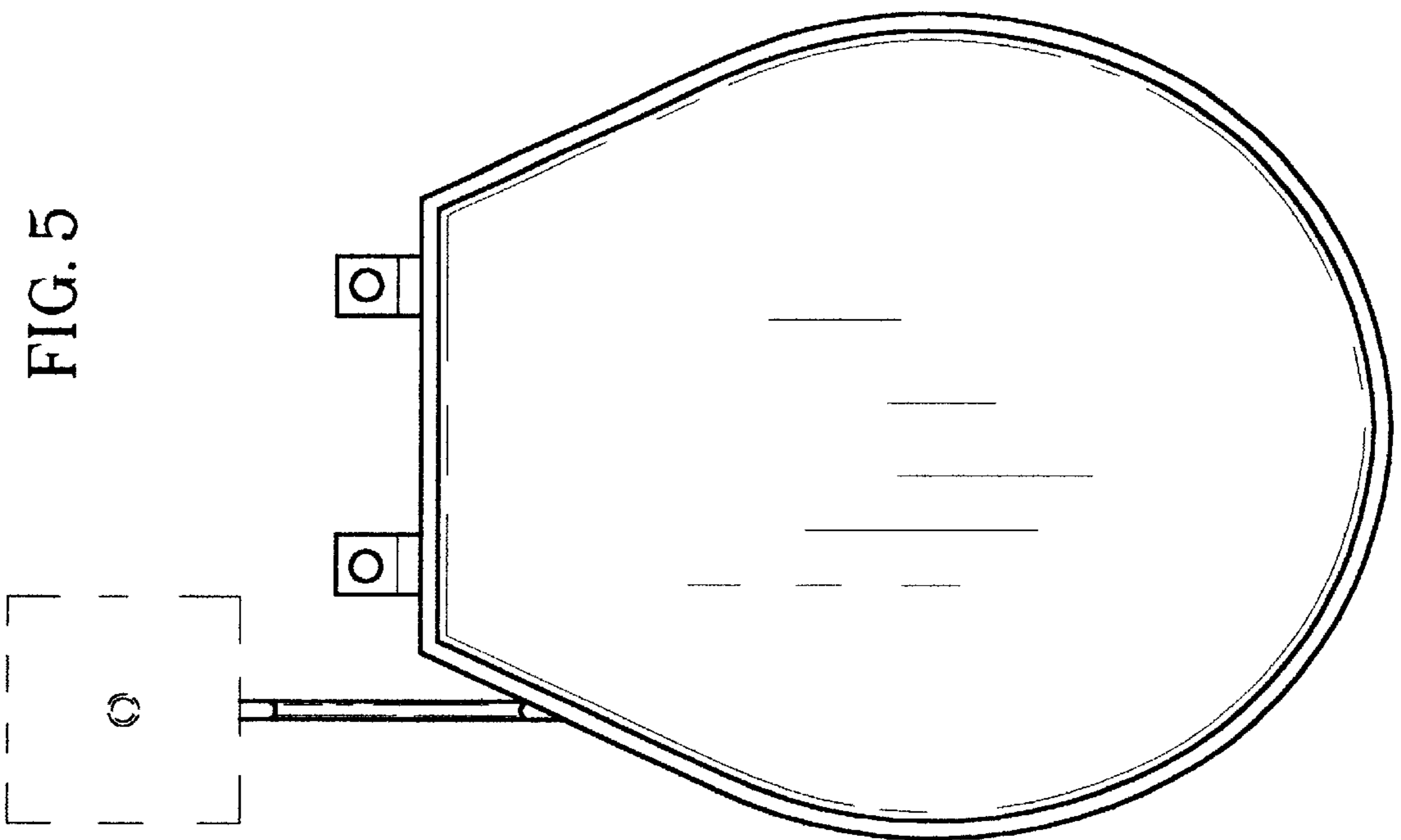


FIG. 6

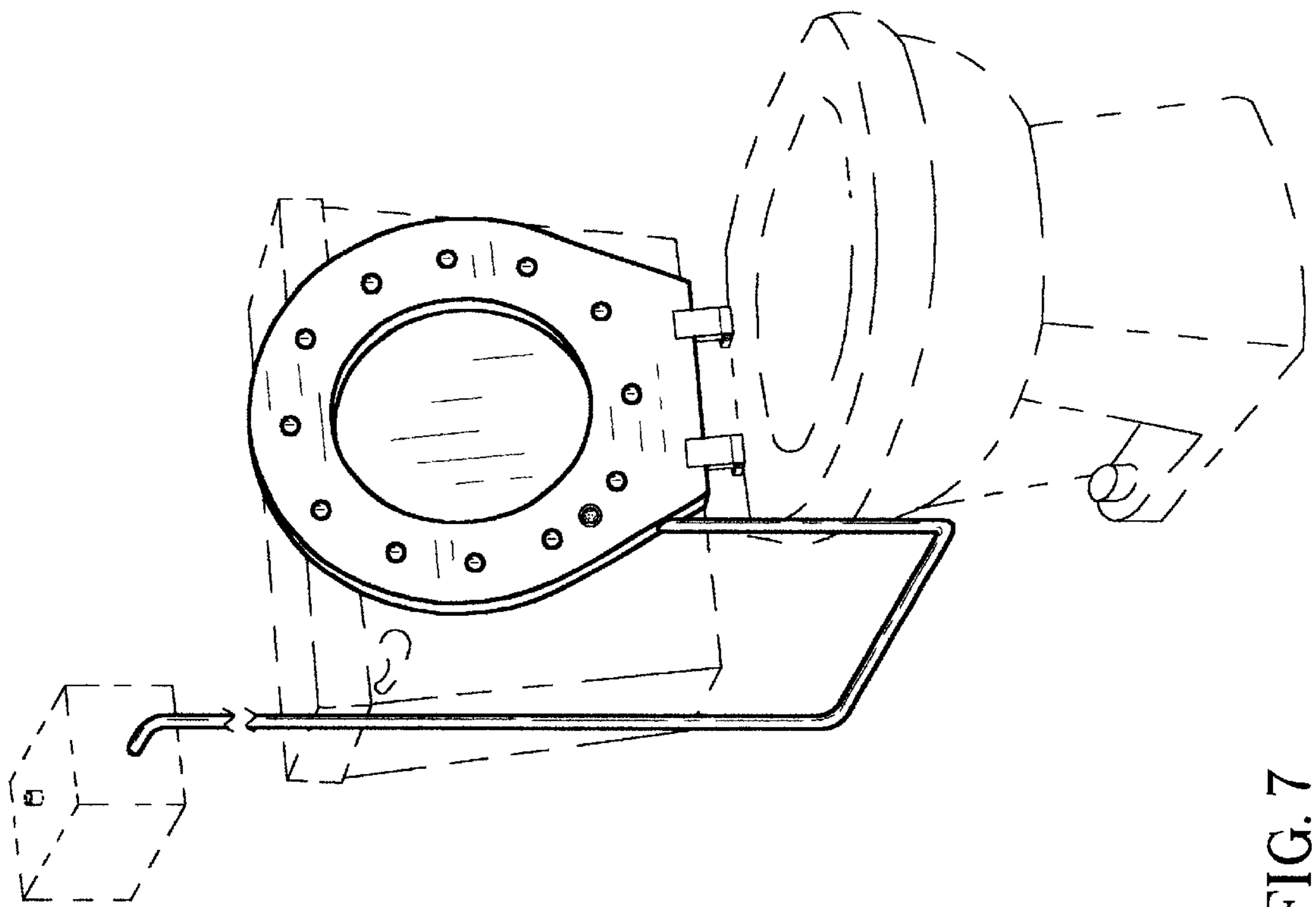


FIG. 7