



US00D461545S

(12) **United States Design Patent**
Nishio

(10) **Patent No.:** **US D461,545 S**

(45) **Date of Patent:** **** Aug. 13, 2002**

(54) **SLEEVE FOR TUBE FITTING**

5,934,714 A * 8/1999 Sugiyama et al. 285/342
6,073,976 A * 6/2000 Schmidt et al. 285/341

(75) Inventor: **Kiyoshi Nishio, Hyogo (JP)**

* cited by examiner

(73) Assignee: **Nippon Pillar Packing Co., Ltd.,
Osaka (JP)**

Primary Examiner—Robin V. Taylor
(74) *Attorney, Agent, or Firm*—Perkins Coie LLP

(**) Term: **14 Years**

(57) **CLAIM**

(21) Appl. No.: **29/114,377**

The ornamental design for a sleeve for tube fitting, as shown and described.

(22) Filed: **Nov. 22, 1999**

DESCRIPTION

(51) **LOC (7) Cl.** **23-01**

(52) **U.S. Cl.** **D23/266; D23/259**

(58) **Field of Search** D23/259, 262,
D23/269; 285/48, 109, 115, 294.1, 332.2,
335, 341, 382.7, 910, 342

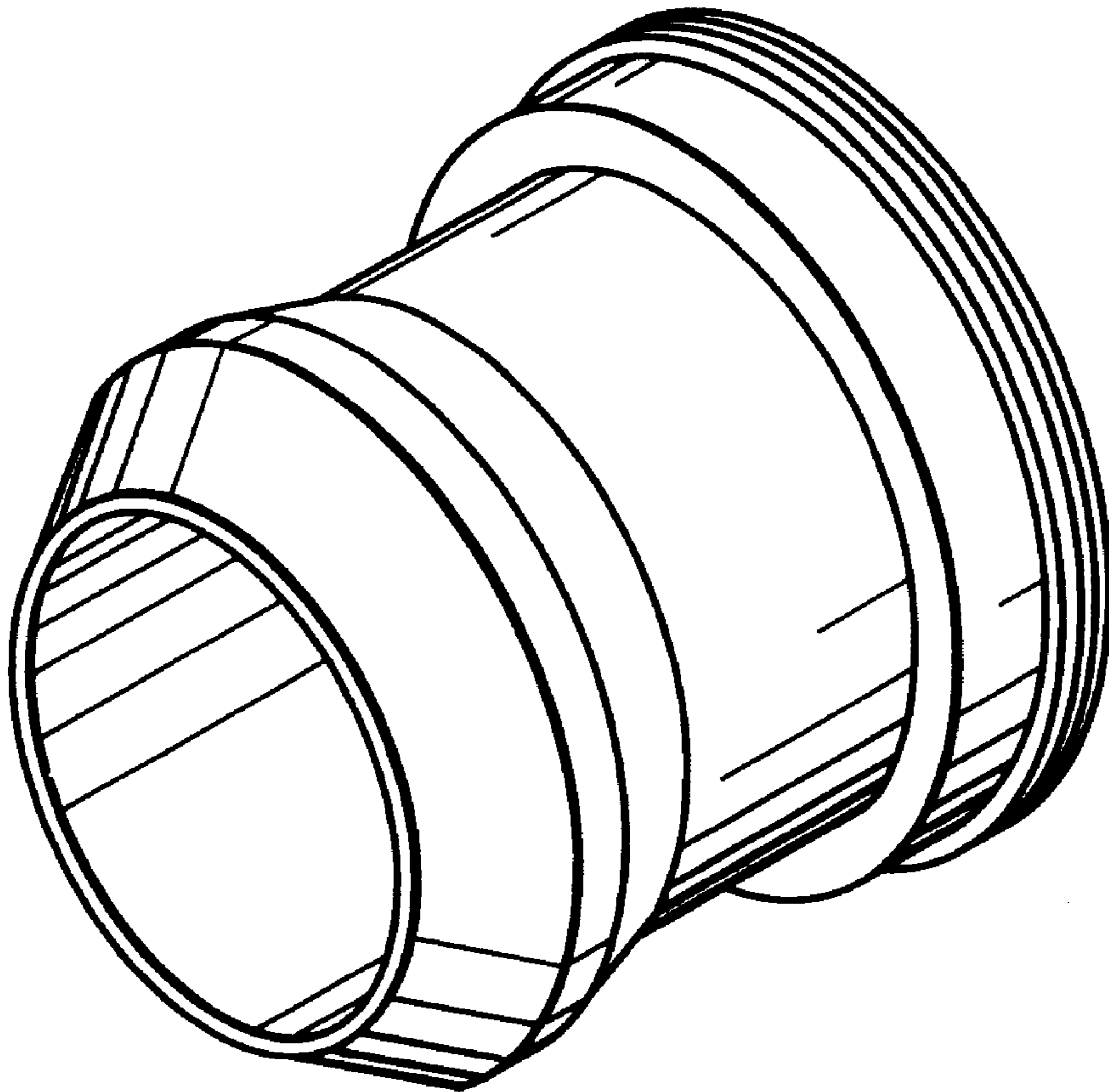
FIG. 1 is a front view of the sleeve;
FIG. 2 is a top plan view thereof;
FIG. 3 is a left side view thereof;
FIG. 4 is a right side view thereof;
FIG. 5 is a sectional view thereof taken along line A—A in FIG. 3;
FIG. 6 is an enlarged view of location B in FIG. 5;
FIG. 7 is a perspective view thereof;
FIG. 8 is a reference view showing the sleeve as used; and,
FIG. 9 is an exploded perspective view thereof.
The broken line showing is for illustrative purposes only and forms no part of the claimed design.

(56) **References Cited**

U.S. PATENT DOCUMENTS

4,556,242 A * 12/1985 Kowal et al. 285/341
5,074,599 A * 12/1991 Wirbel et al. 285/382.7
5,154,453 A 10/1992 Nishio 285/342
5,217,261 A * 6/1993 DeWitt et al. 285/332.2
5,551,735 A * 9/1996 Takayanagi et al. 285/341
5,720,504 A * 2/1998 Stedman et al. 285/382.7

1 Claim, 4 Drawing Sheets



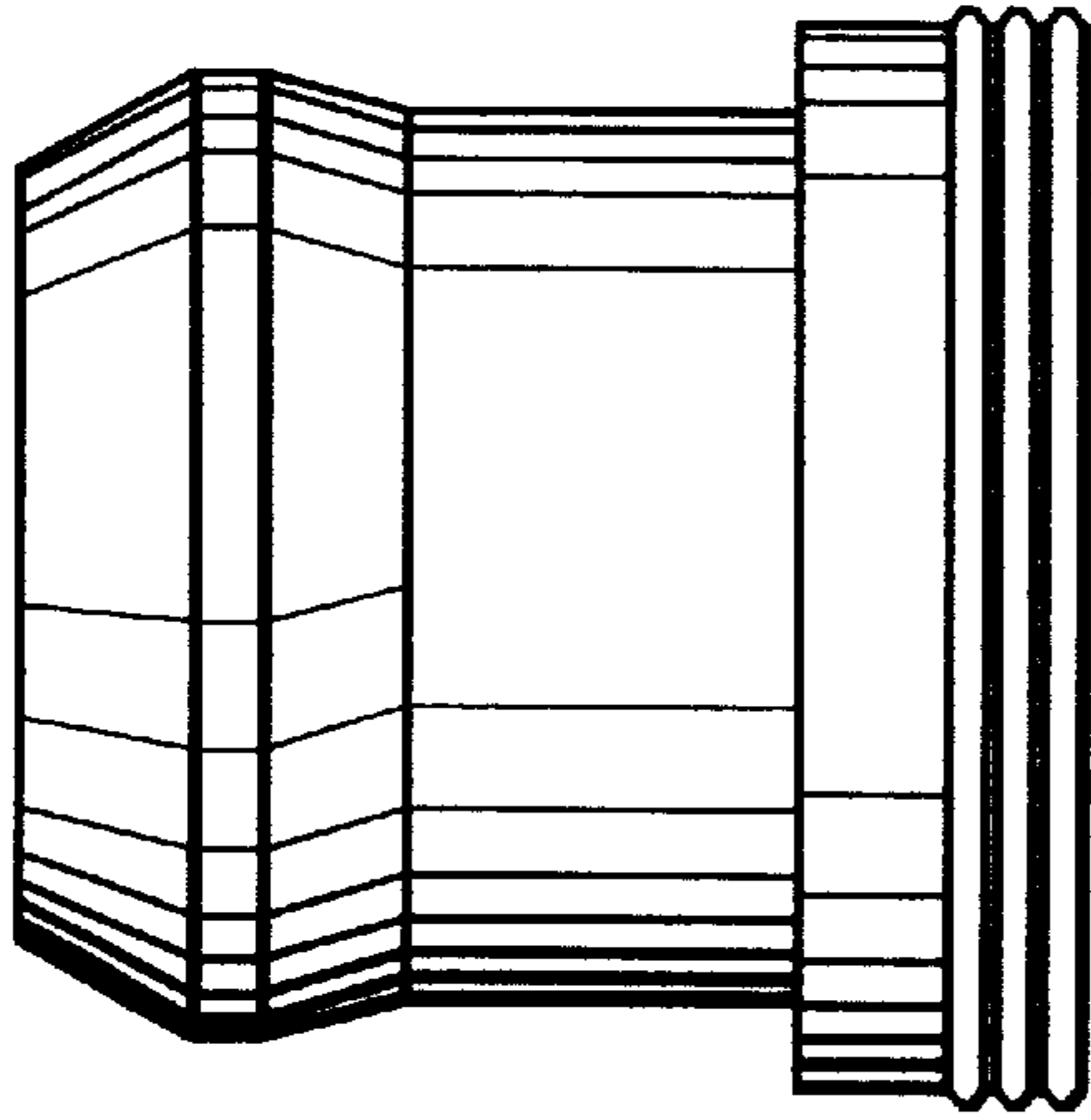


FIG. 1

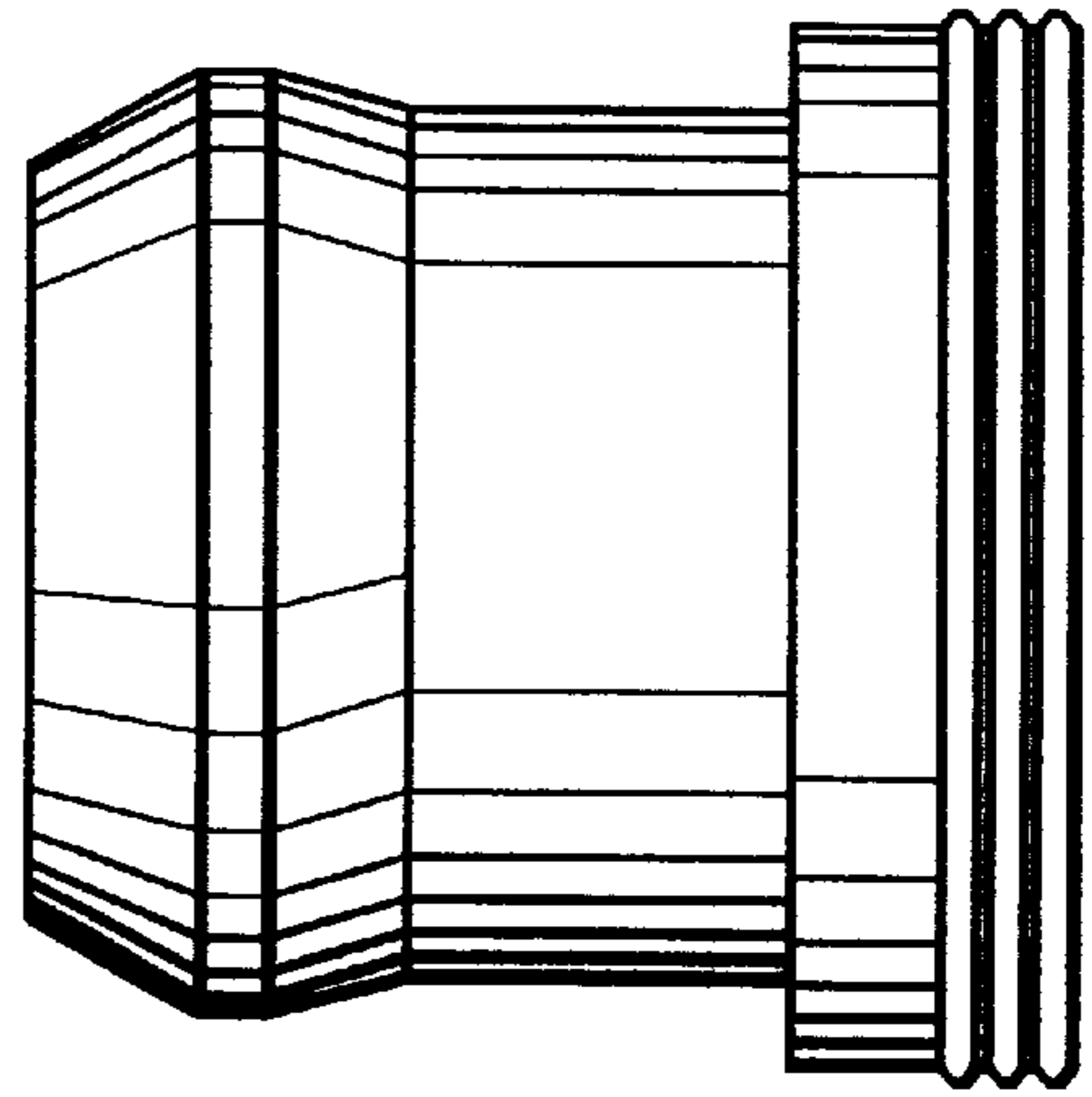


FIG. 2

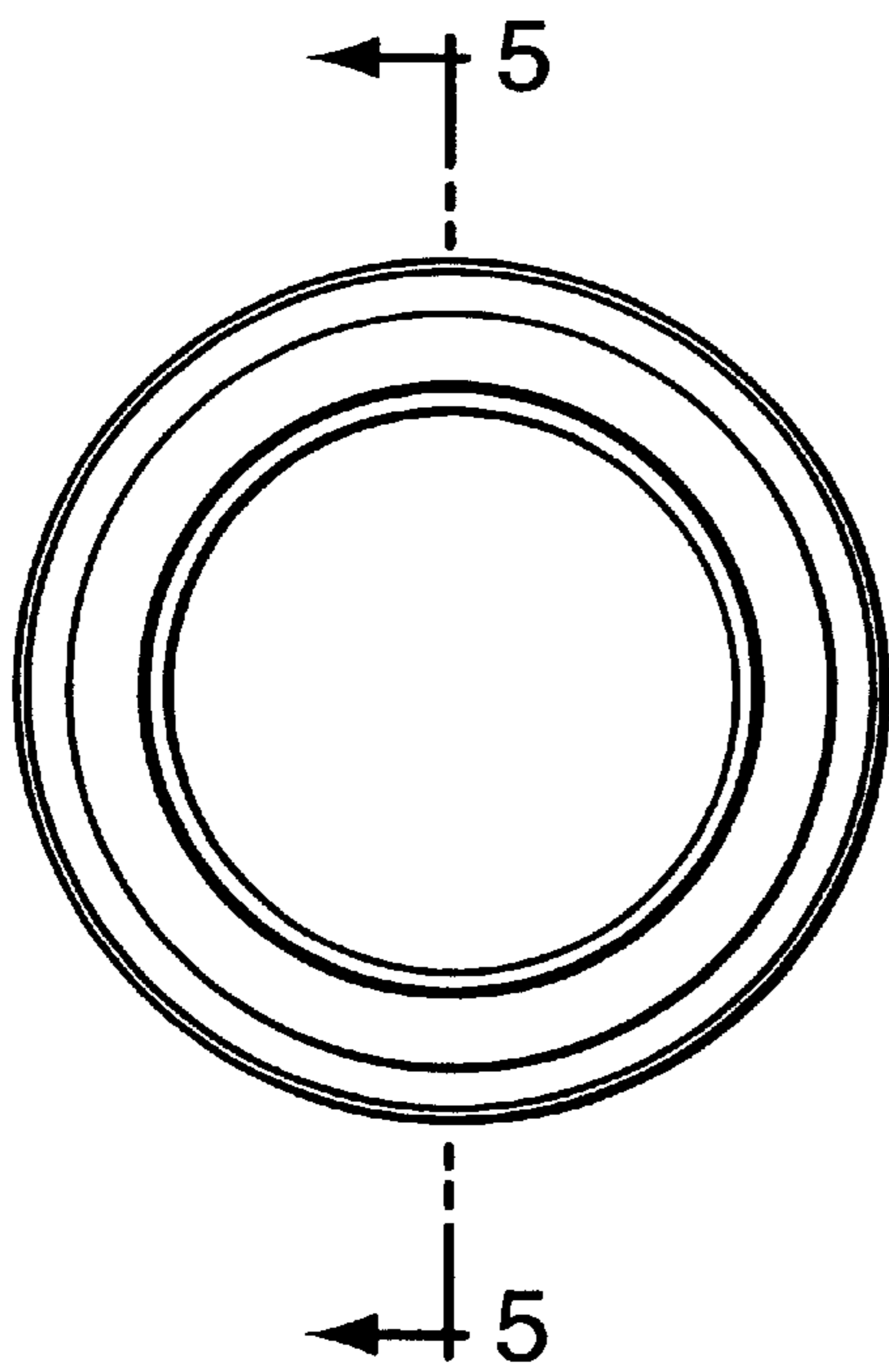


FIG. 3

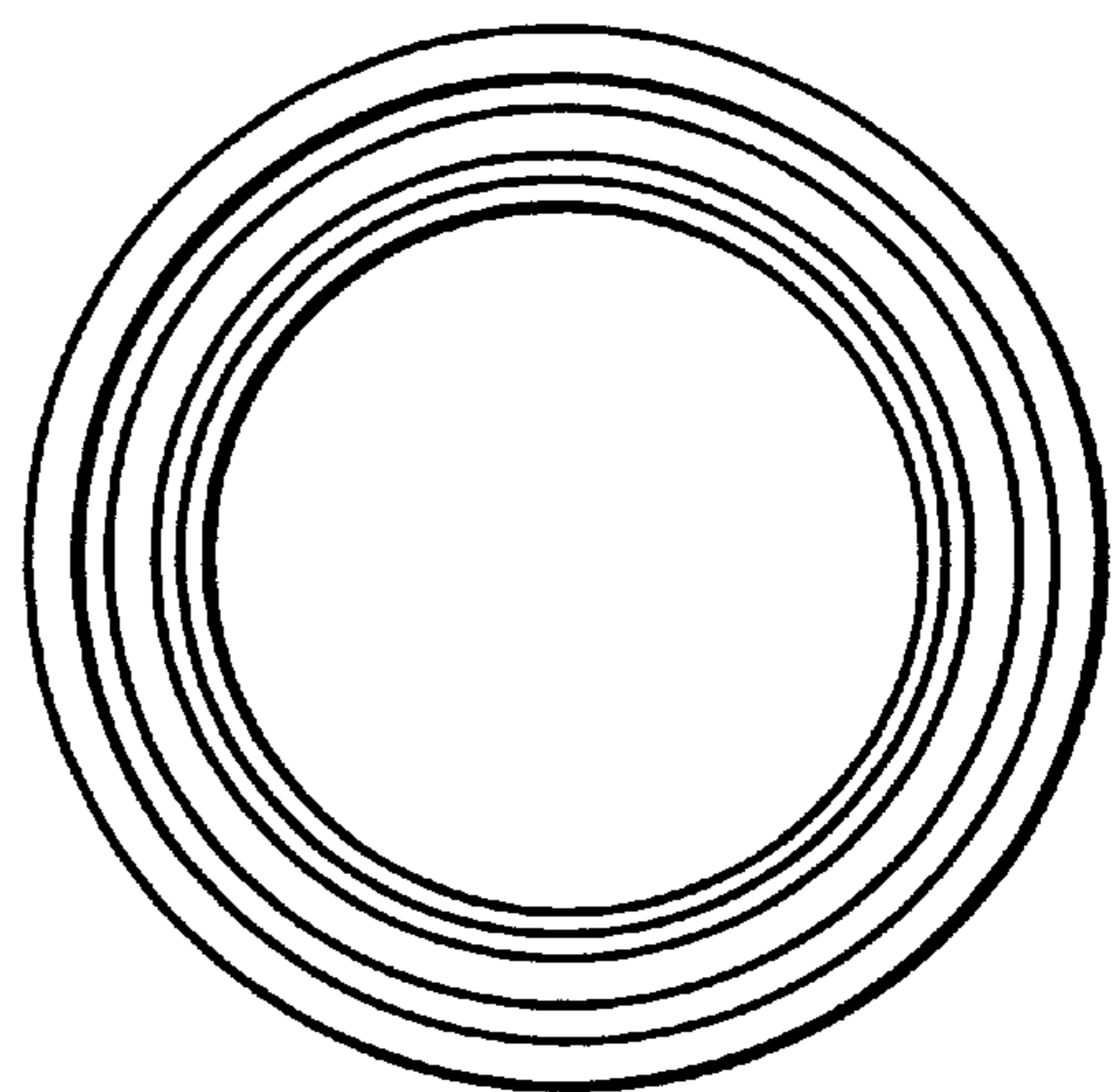


FIG. 4

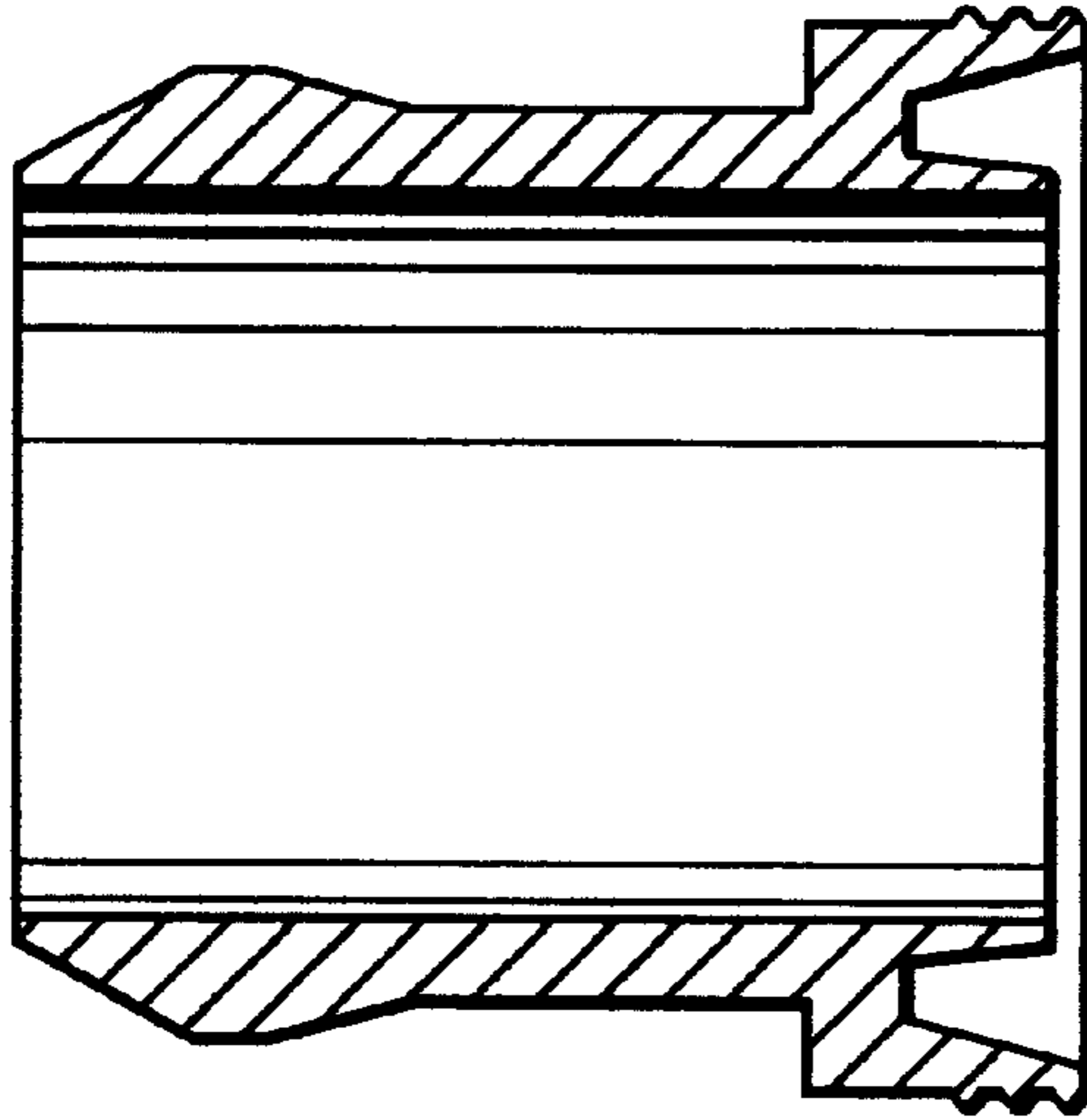


FIG. 5

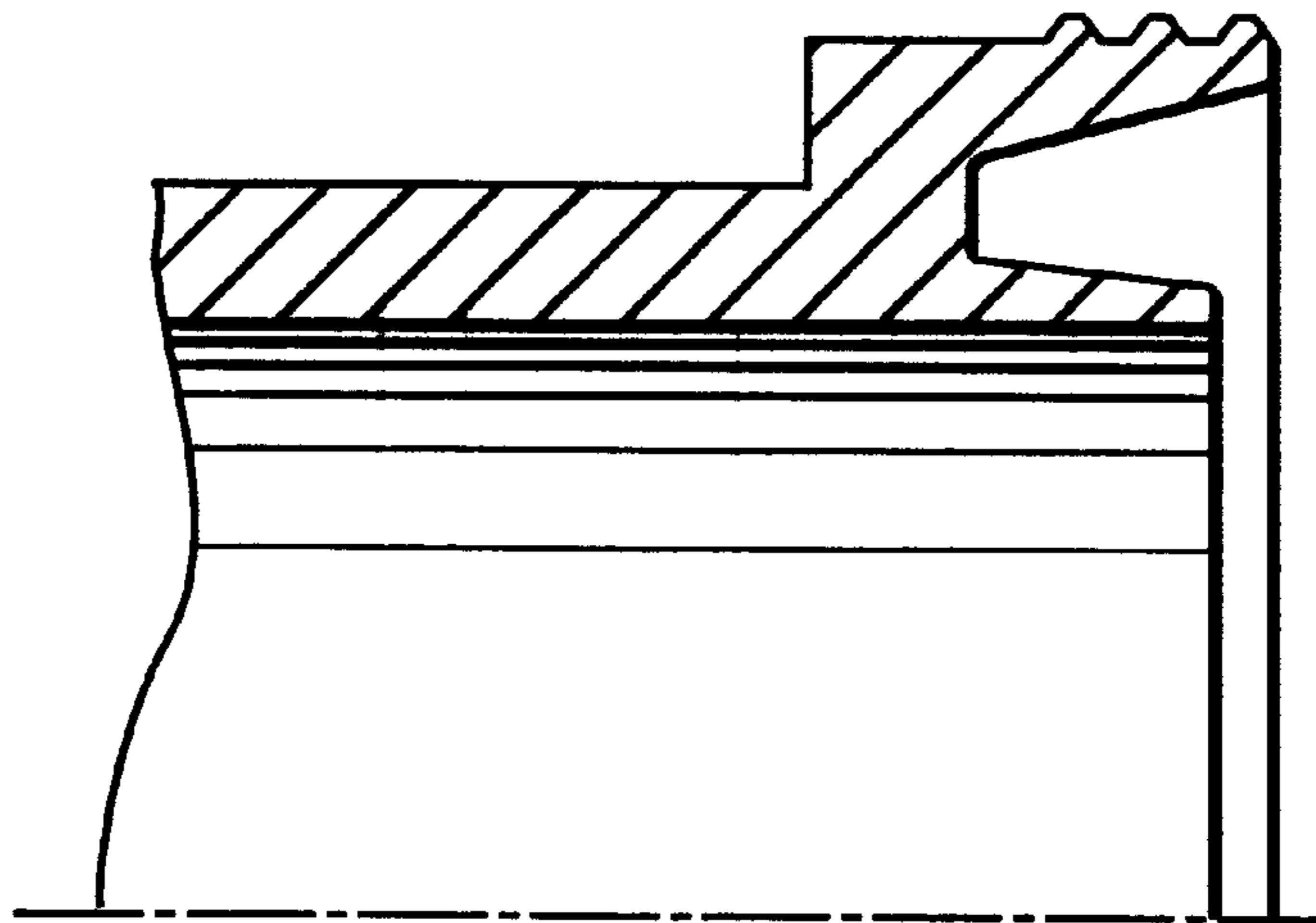


FIG. 6

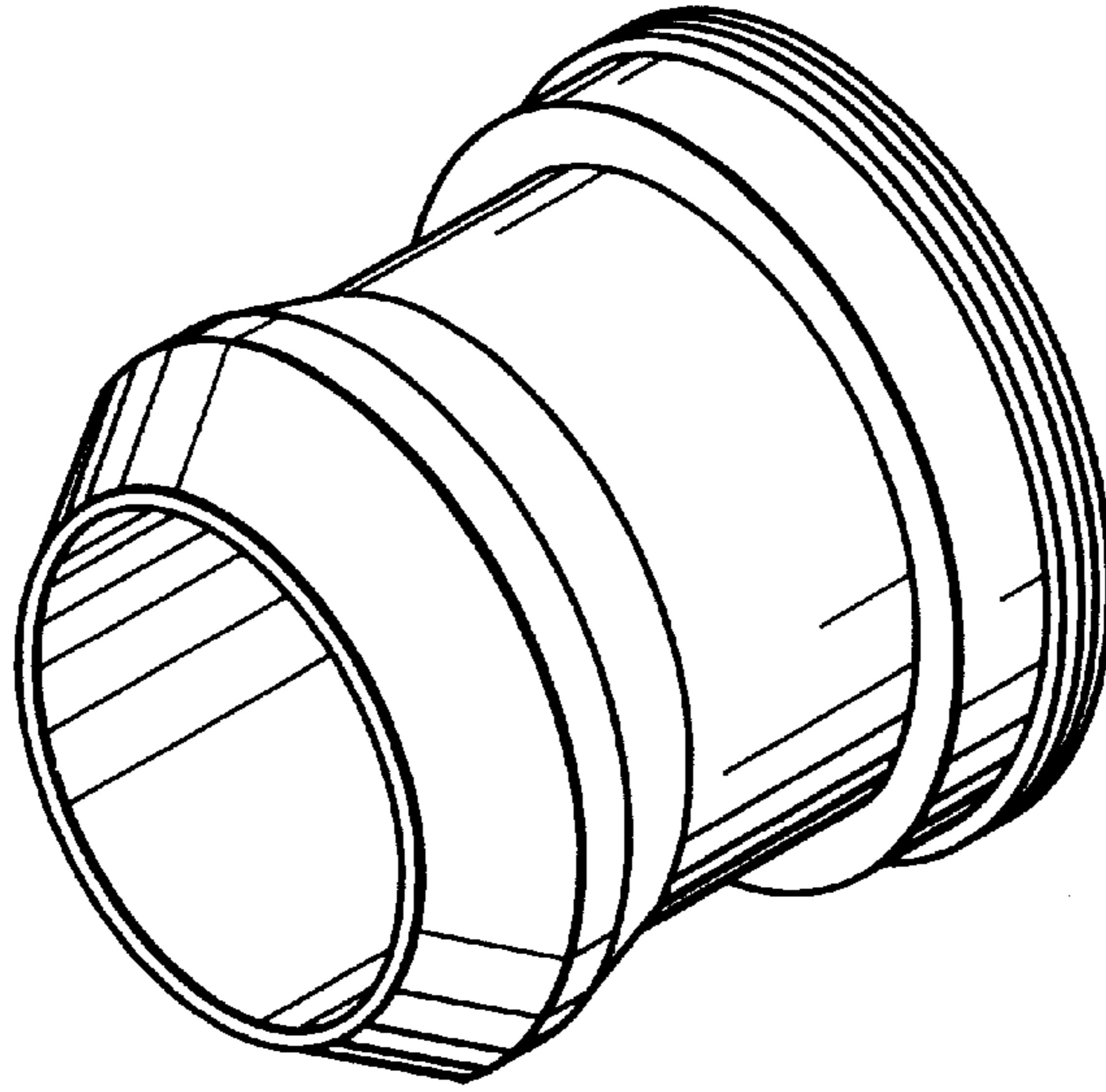


FIG. 7

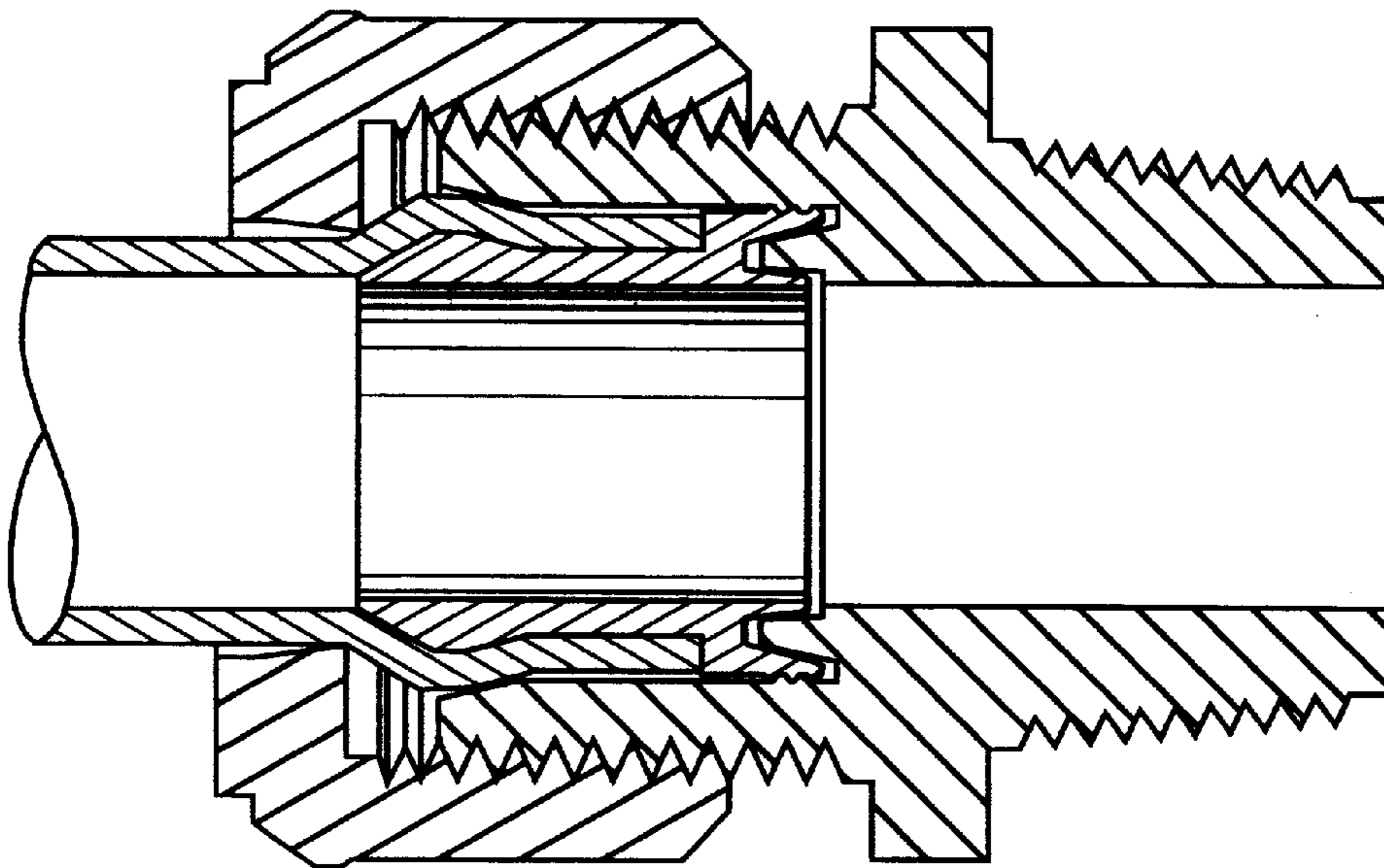


FIG. 8

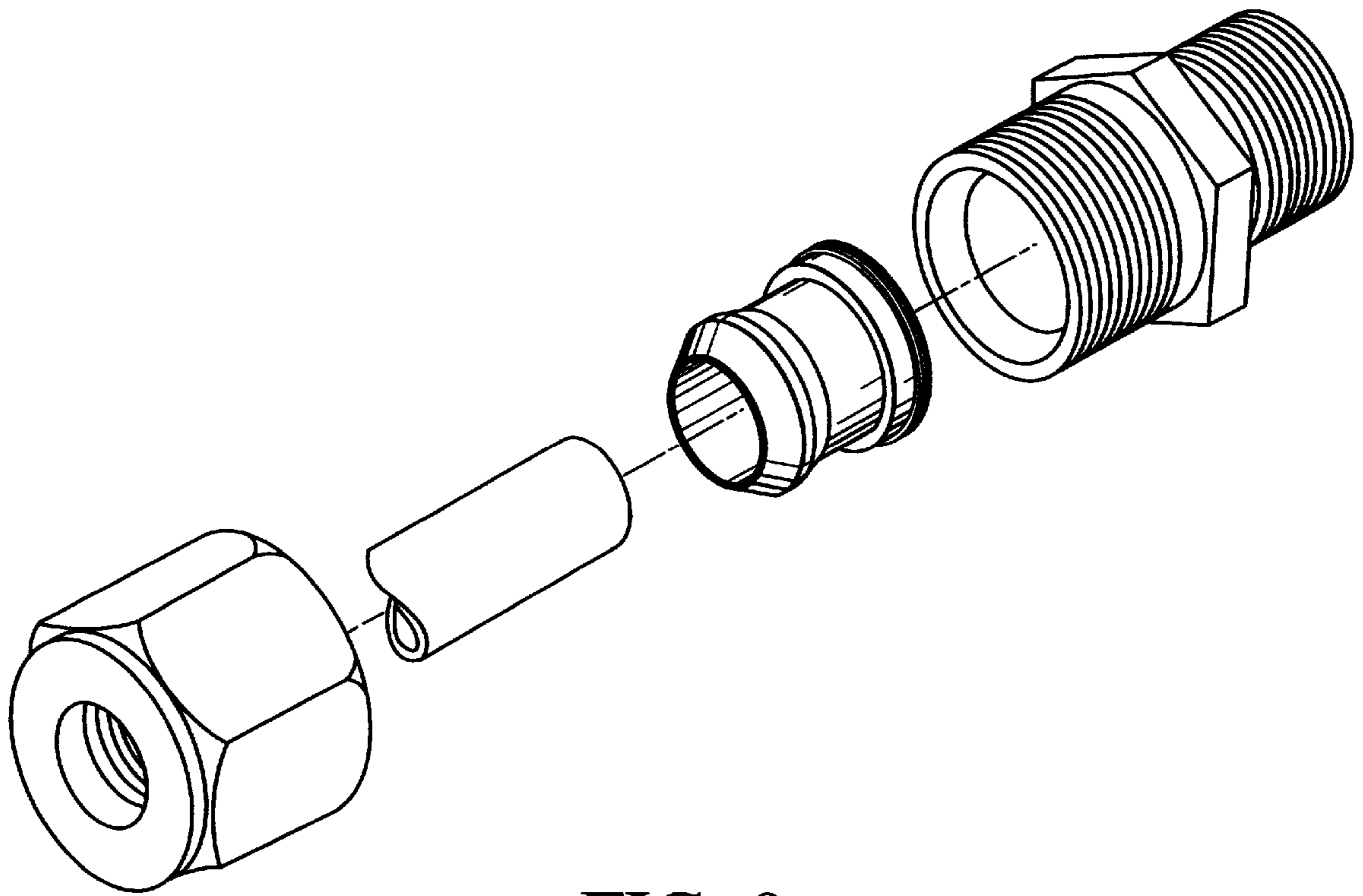


FIG. 9