



US00D461544S

(12) **United States Design Patent**
Crockett, IV

(10) **Patent No.:** **US D461,544 S**

(45) **Date of Patent:** **** Aug. 13, 2002**

(54) **HOSE CLAMP**

(75) Inventor: **Watkins Crockett, IV**, Franklin, TN
(US)

(73) Assignee: **Tridon, Inc.**, Brantford (CA)

(**) Term: **14 Years**

(21) Appl. No.: **29/142,360**

(22) Filed: **May 25, 2001**

(51) **LOC (7) Cl.** **23-01**

(52) **U.S. Cl.** **D23/265**

(58) **Field of Search** **D23/265; 24/274 R,**
24/279; D8/396; 285/252, 253

4,257,149 A	3/1981	Sydenal	
4,473,928 A	10/1984	Johnson	
4,819,307 A	* 4/1989	Turner	24/274 R
5,309,607 A	* 5/1994	Hohmann et al.	24/274 R
5,410,781 A	5/1995	Anjos et al.	
5,560,087 A	10/1996	Marques	
5,706,558 A	* 1/1998	Sauer	24/279
6,000,104 A	* 12/1999	Mann	24/274 R
6,158,094 A	* 12/2000	Clanin	24/274 R

* cited by examiner

Primary Examiner—Robin V. Taylor

(74) *Attorney, Agent, or Firm*—Gowlings LaFleur
Henderson LLP

(57) **CLAIM**

I claim the design for a hose clamp, as shown and described.

(56) **References Cited**

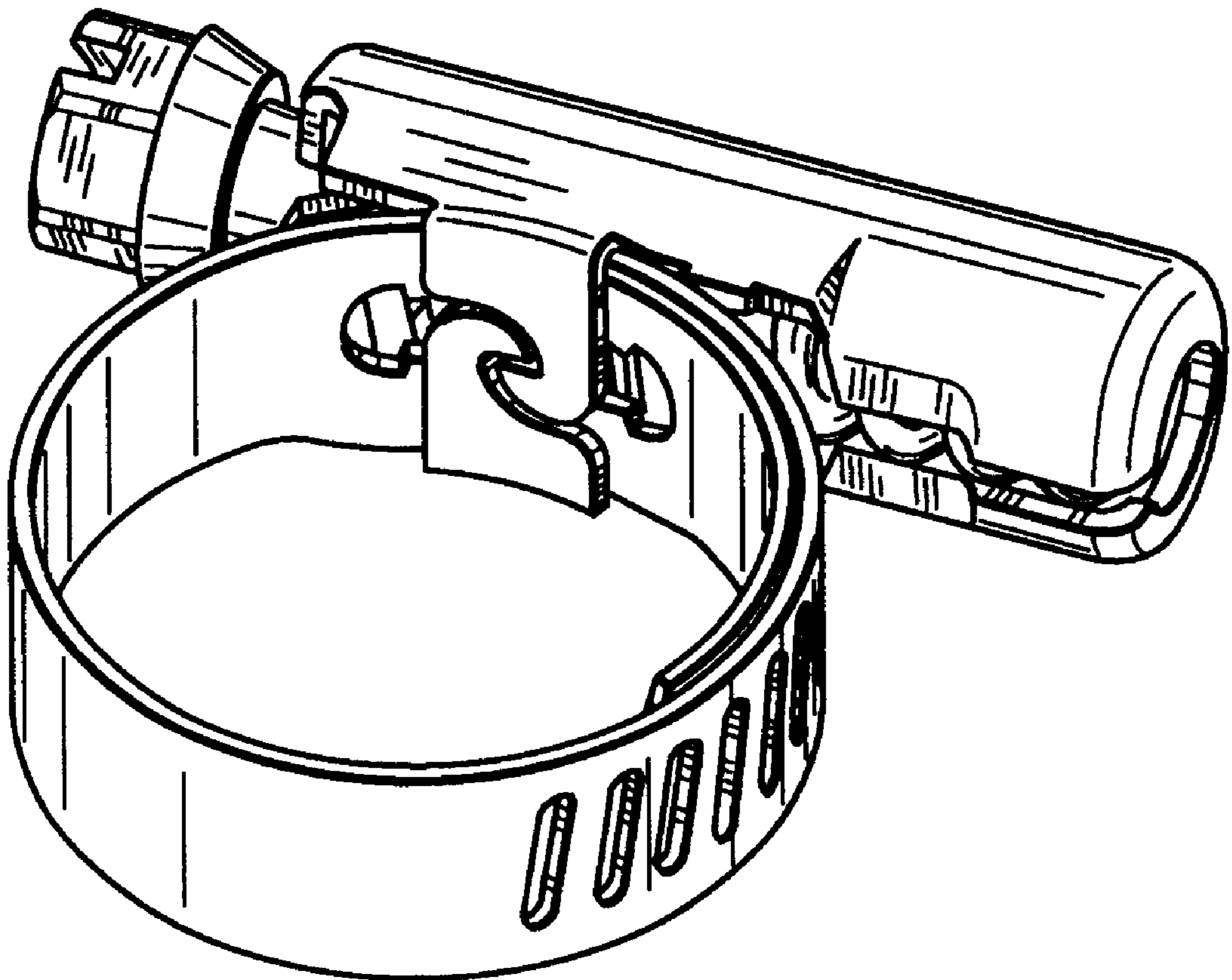
U.S. PATENT DOCUMENTS

2,571,659 A	10/1951	Bergstrom	
2,596,332 A	5/1952	Flora et al.	
2,767,455 A	10/1956	Schaefer	
2,910,758 A	11/1959	Arthur	
D207,276 S	* 3/1967	Nigon	D23/265
3,371,392 A	3/1968	Rueckheim	
3,398,440 A	8/1968	Bergstrom	
3,900,932 A	8/1975	Allert	
3,950,830 A	4/1976	Duprez	

DESCRIPTION

FIG. 1 is a perspective view of a hose clamp showing my new design;
FIG. 2 is a top plan view thereof;
FIG. 3 is a left side elevation view thereof;
FIG. 4 is a right side elevation view thereof;
FIG. 5 is a back side elevation view thereof; and,
FIG. 6 is a front elevation view thereof.

1 Claim, 1 Drawing Sheet



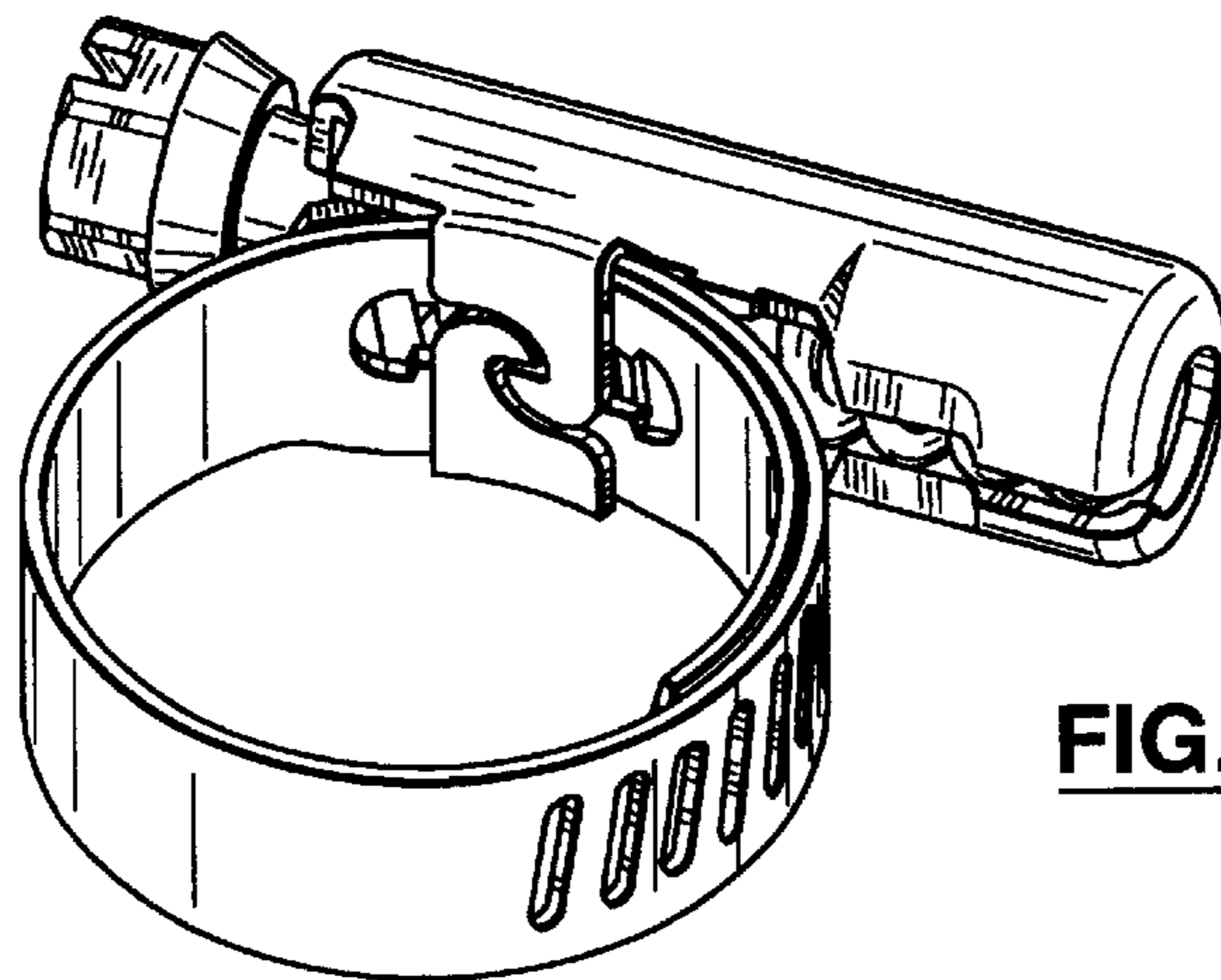


FIG. 1

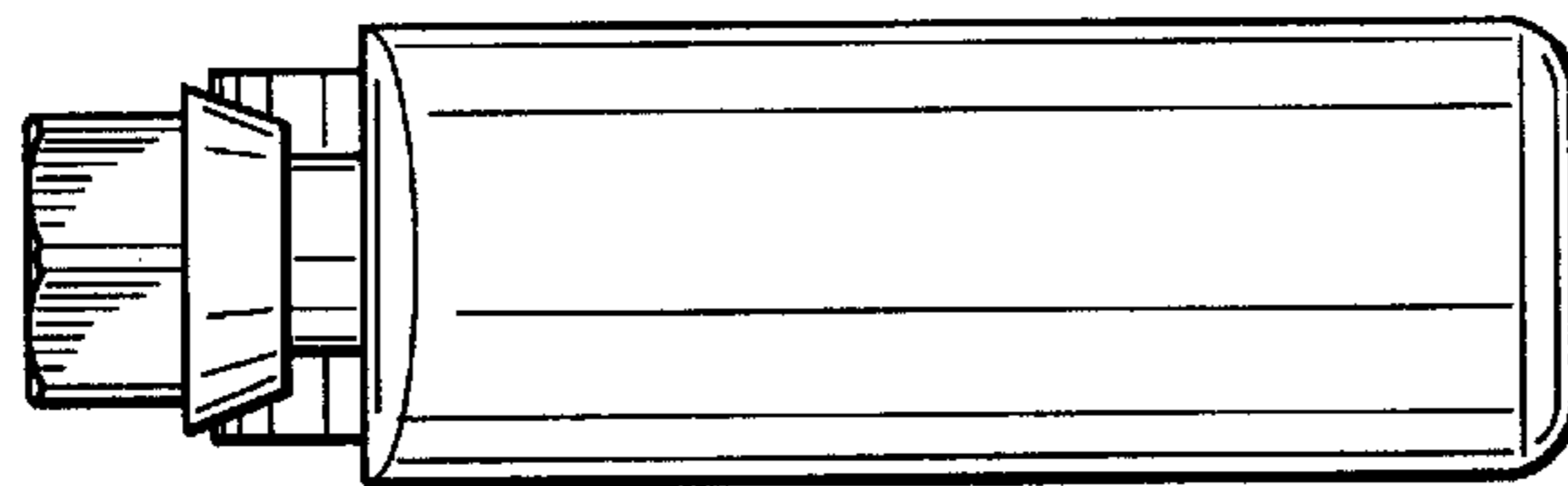


FIG. 5

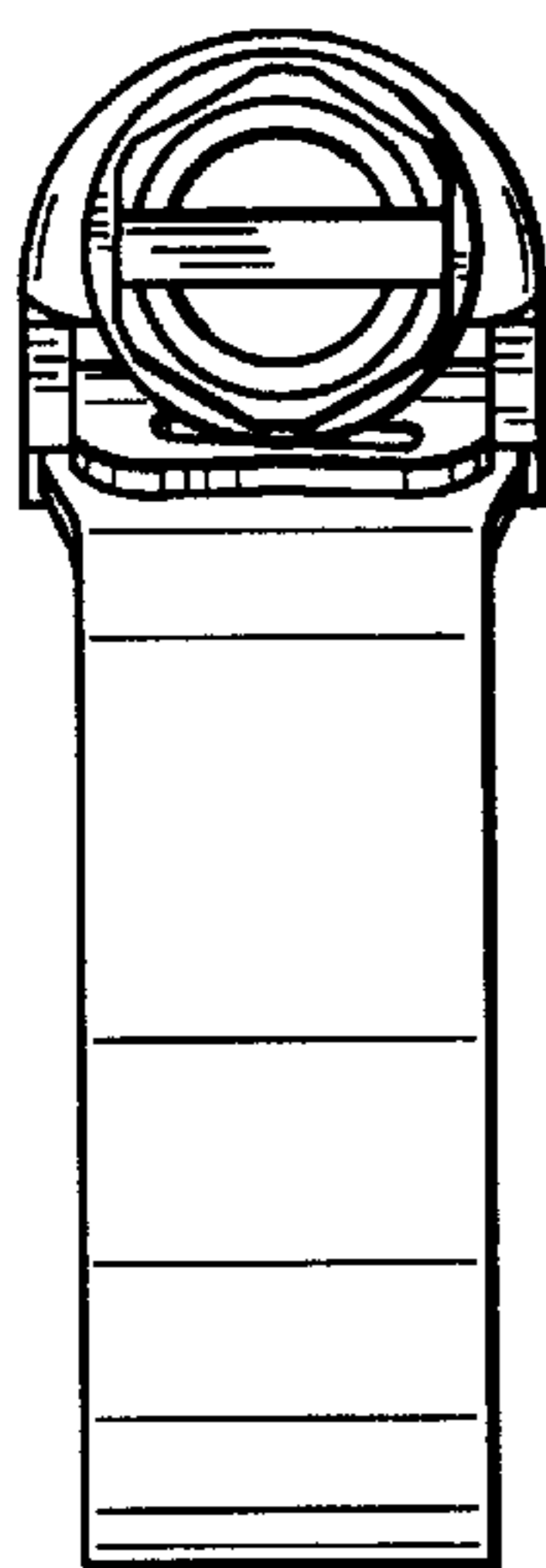


FIG. 3

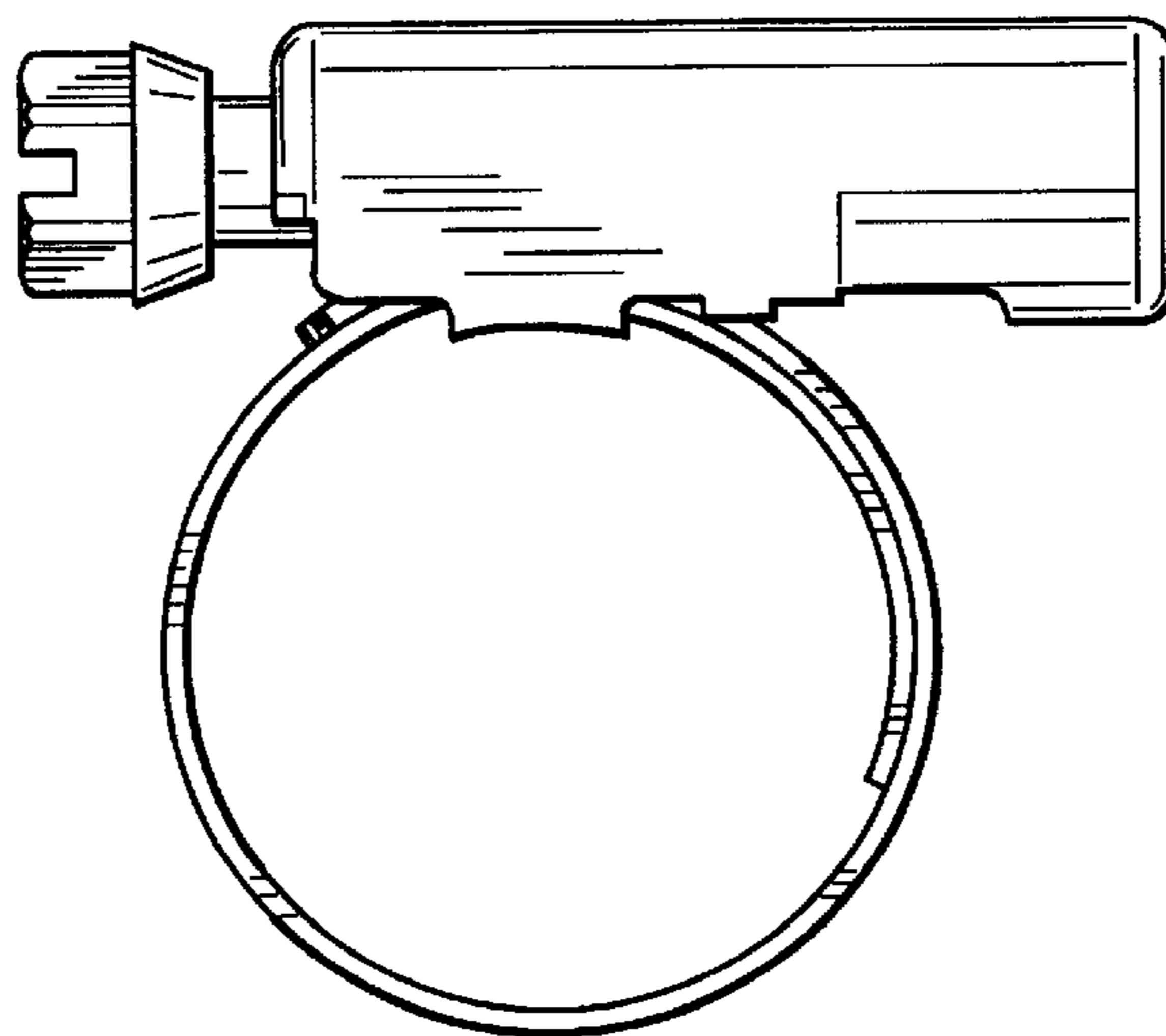


FIG. 2

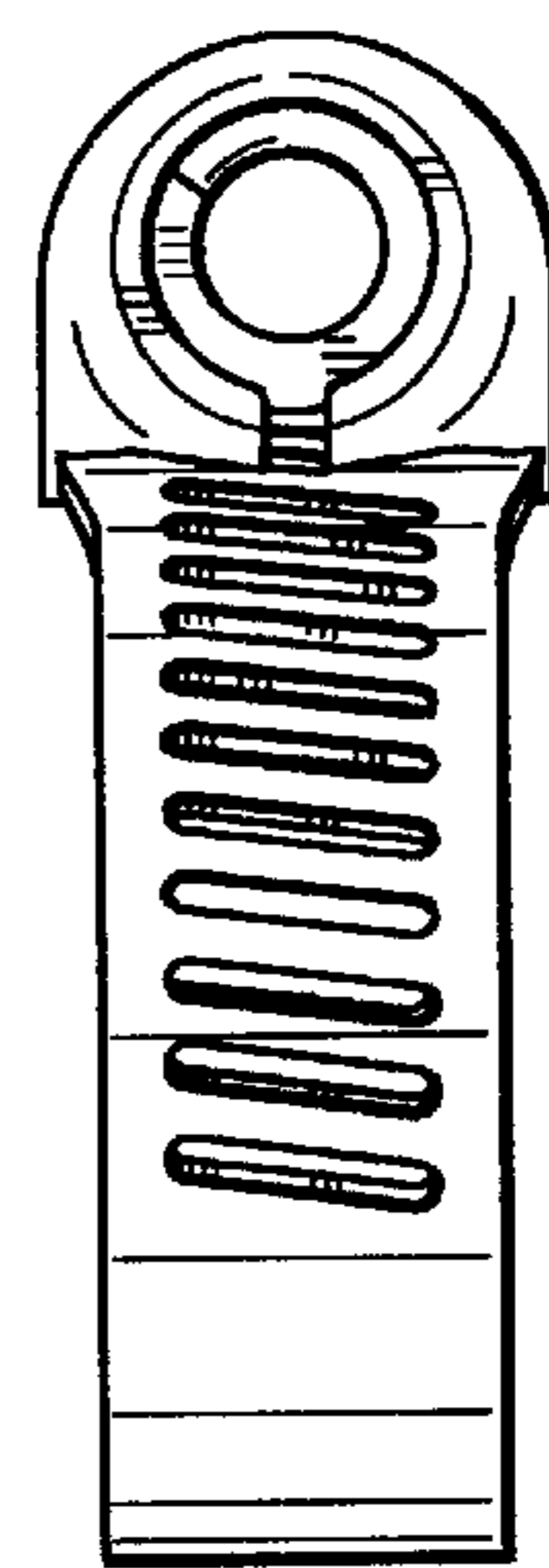


FIG. 4

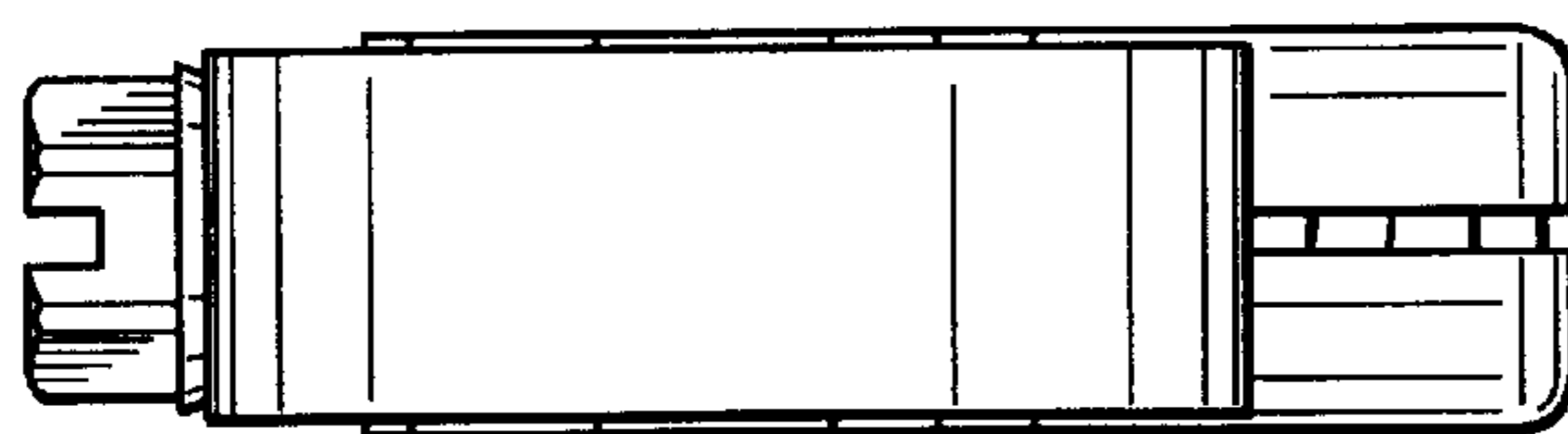


FIG. 6