



US00D461542S

(12) **United States Design Patent**  
**Shieh**

(10) **Patent No.:** **US D461,542 S**

(45) **Date of Patent:** **\*\* Aug. 13, 2002**

(54) **FAUCET**

(76) **Inventor:** **Ming Don Shieh**, 5F-2, No. 130,  
Tai-Yuan N. RD, Taichung (TW)

(\*\*) **Term:** **14 Years**

(21) **Appl. No.:** **29/139,250**

(22) **Filed:** **Mar. 28, 2001**

(51) **LOC (7) Cl.** ..... **23-01**

(52) **U.S. Cl.** ..... **D23/257; D23/255**

(58) **Field of Search** ..... **D23/238-257;**  
**4/675-678; 16/110 R-121; 137/801**

(56) **References Cited**

**U.S. PATENT DOCUMENTS**

- D299,161 S \* 12/1988 Frattini ..... D23/255
- D347,883 S \* 6/1994 Klada et al. .... D23/257
- D437,032 S \* 1/2001 Ko ..... D23/241

\* cited by examiner

*Primary Examiner*—Louis S. Zarfaz

*Assistant Examiner*—Gregory Andoll

(74) *Attorney, Agent, or Firm*—Bacon & Thomas, PLLC

(57) **CLAIM**

The ornamental design for a faucet, as shown and described.

**DESCRIPTION**

FIG. 1 is a perspective view of a faucet showing my new design;

FIG. 2 is a front elevational view thereof, the rear elevational view being a mirror image of that shown;

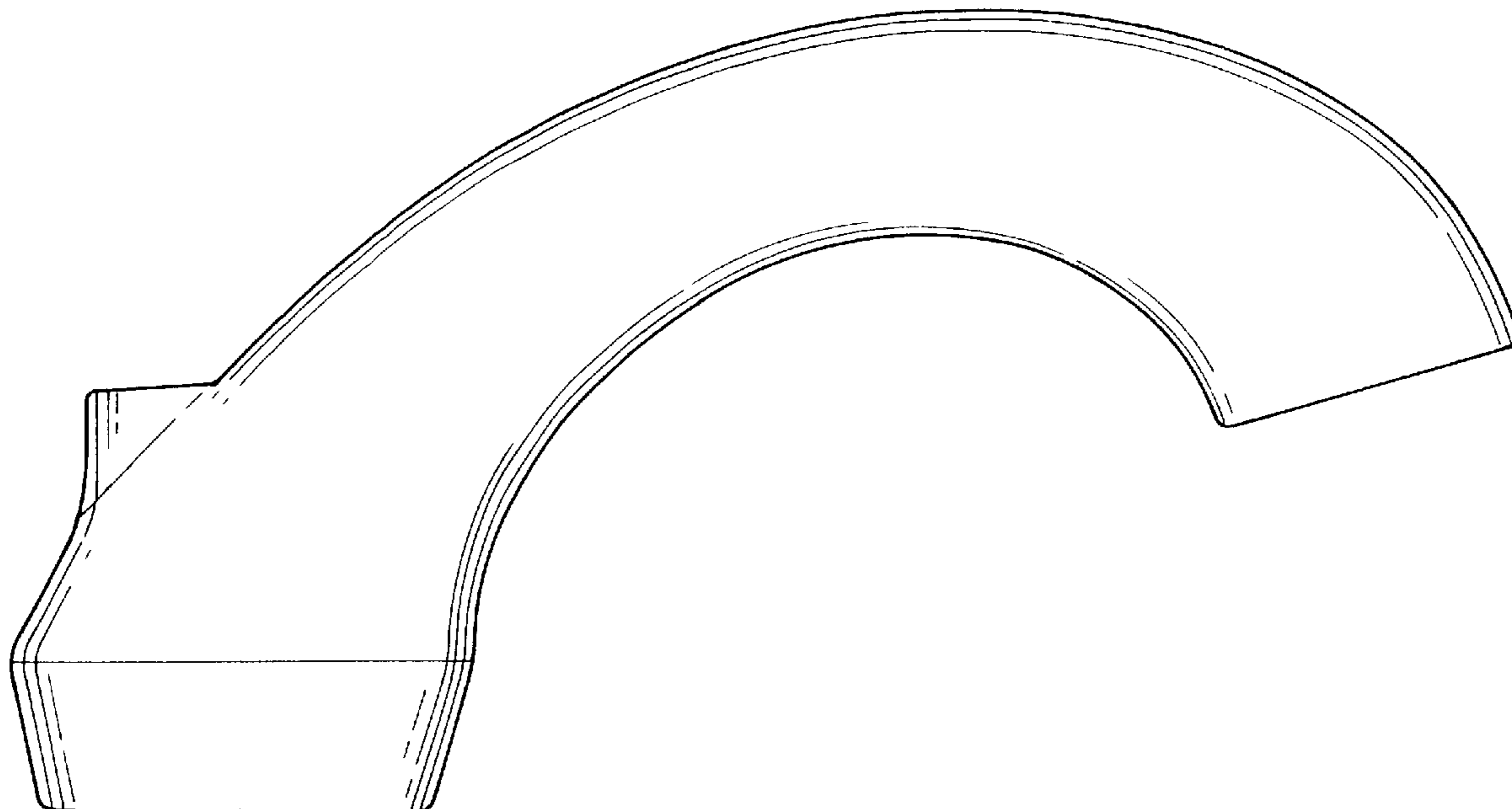
FIG. 3 is a left side elevational view thereof;

FIG. 4 is a right side elevational view thereof;

FIG. 5 is a top plan view thereof; and,

FIG. 6 is a bottom plan view thereof.

**1 Claim, 4 Drawing Sheets**



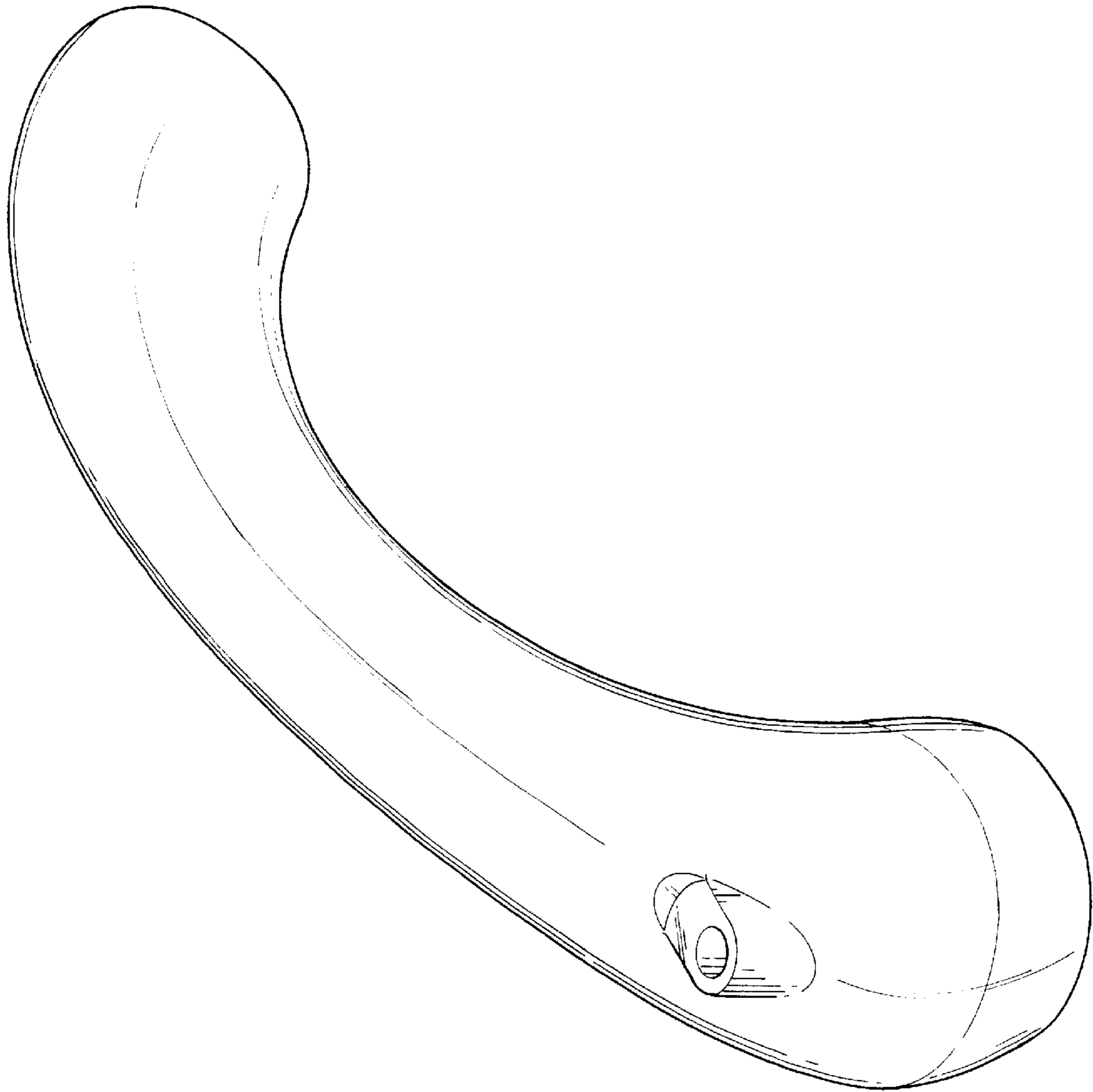


FIG. 1

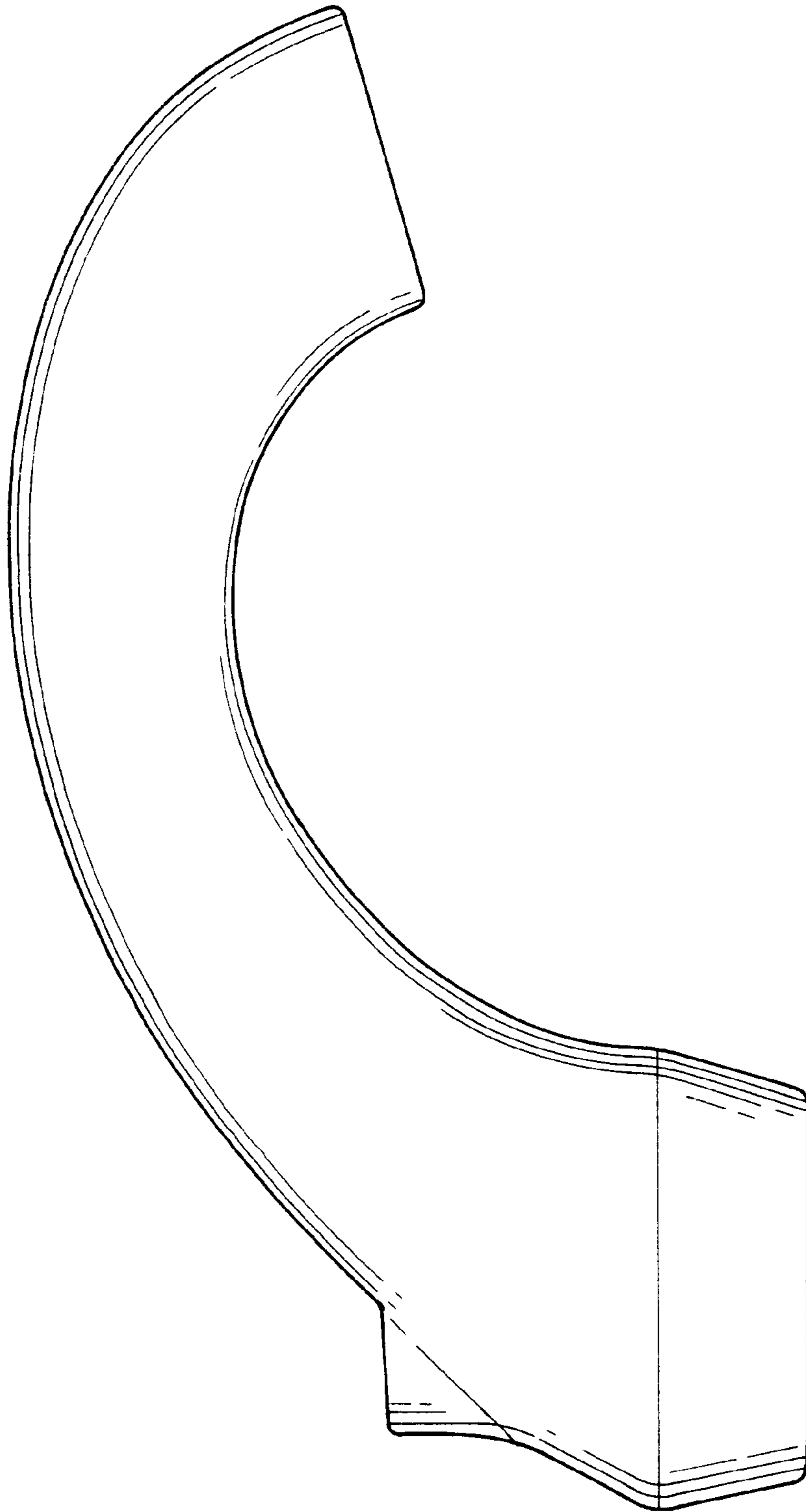


FIG.2

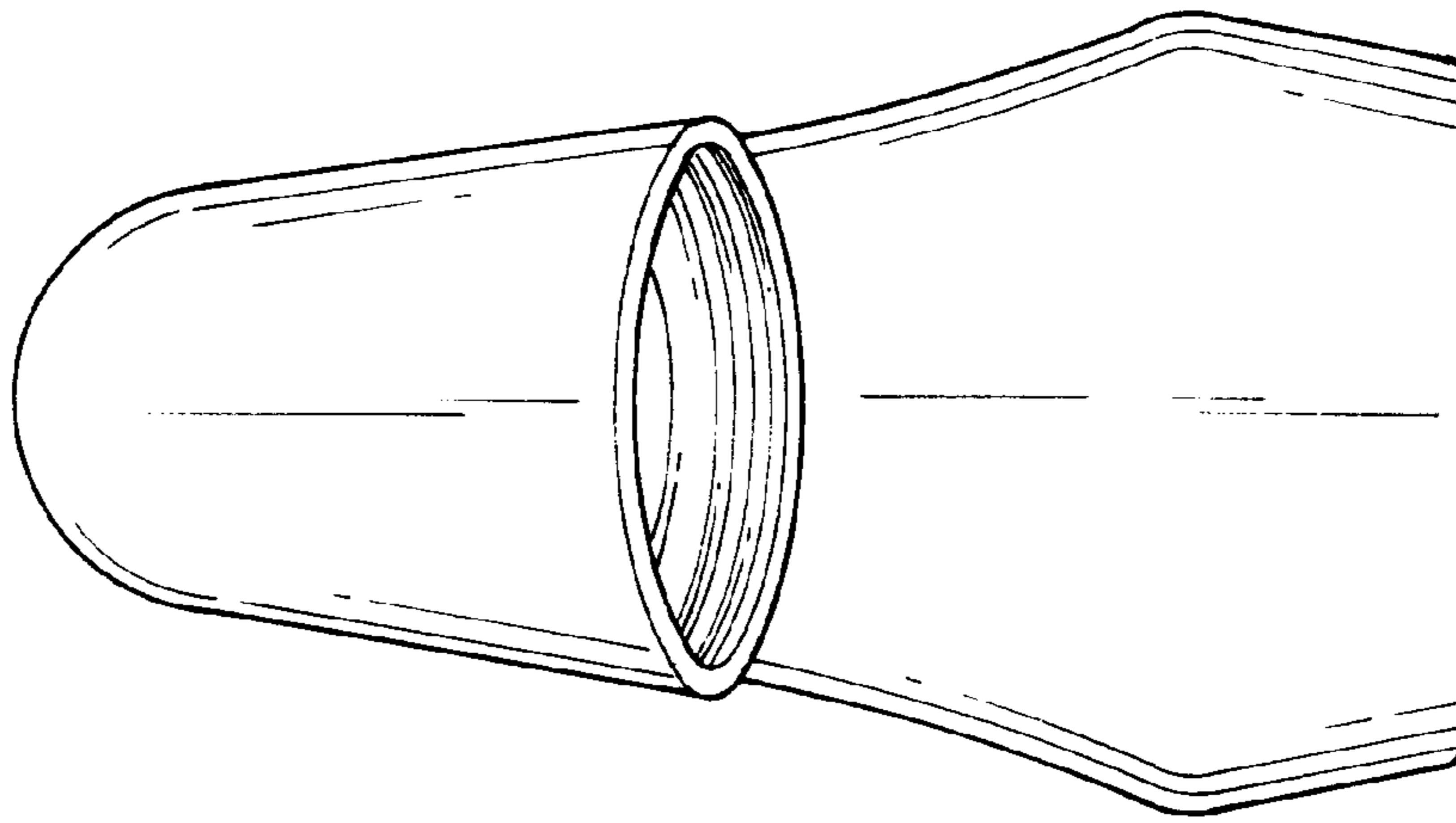


FIG.4

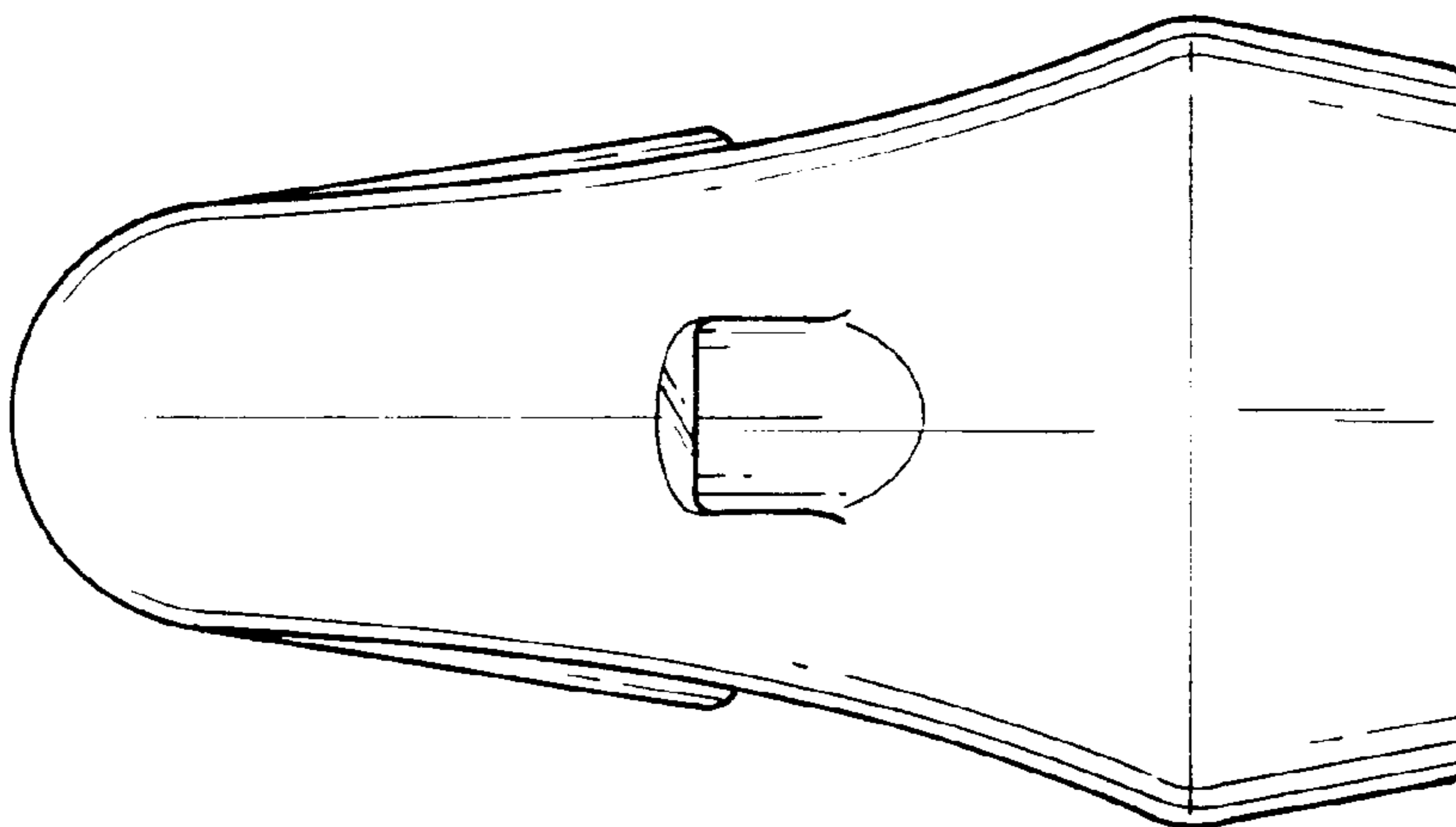


FIG.3

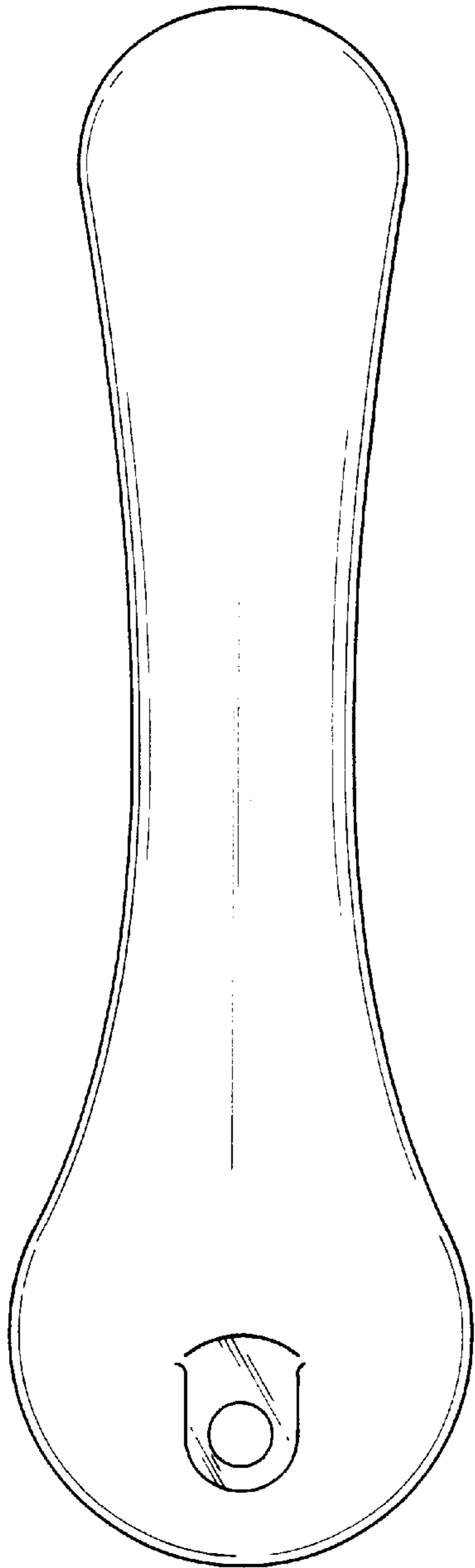


FIG. 5

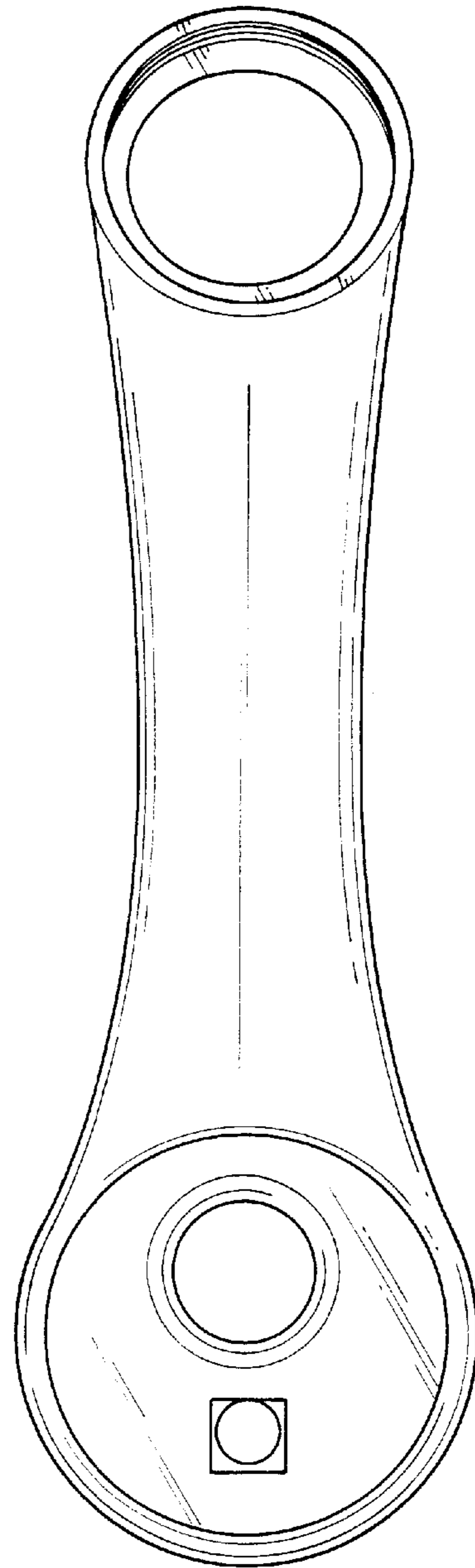


FIG. 6