



US00D461540S

(12) **United States Design Patent**
Gottwald

(10) **Patent No.:** **US D461,540 S**

(45) **Date of Patent:** **** Aug. 13, 2002**

(54) **SWIVEL SPOUT**

(75) Inventor: **Adolf Gottwald**, Iserlohn (DE)

(73) Assignee: **Friedrich Grohe AG & Co. KG**,
Hemer (DE)

(**) Term: **14 Years**

(21) Appl. No.: **29/141,083**

(22) Filed: **Apr. 30, 2001**

(30) **Foreign Application Priority Data**

Nov. 24, 2000 (DE) 400 11 047

(51) **LOC (7) Cl.** **23-01**

(52) **U.S. Cl.** **D23/255; D23/243; D23/257**

(58) **Field of Search** **D23/238-257;**
4/675-678; 137/801

(56) **References Cited**

U.S. PATENT DOCUMENTS

D322,658 S * 12/1991 Kohler, Jr. et al. D23/255

D364,215 S * 11/1995 Starck D23/242

D373,179 S * 8/1996 Sieger D23/241

D406,323 S * 3/1999 Snyder D23/255

* cited by examiner

Primary Examiner—Louis S. Zarfes

Assistant Examiner—Gregory Andoll

(74) *Attorney, Agent, or Firm*—Herbert Dubno

(57) **CLAIM**

The ornamental design for a swivel spout, as shown and described.

DESCRIPTION

FIG. 1 is a top, front, left-side perspective view of a swivel spout showing my new design;

FIG. 2 is a front elevational view thereof;

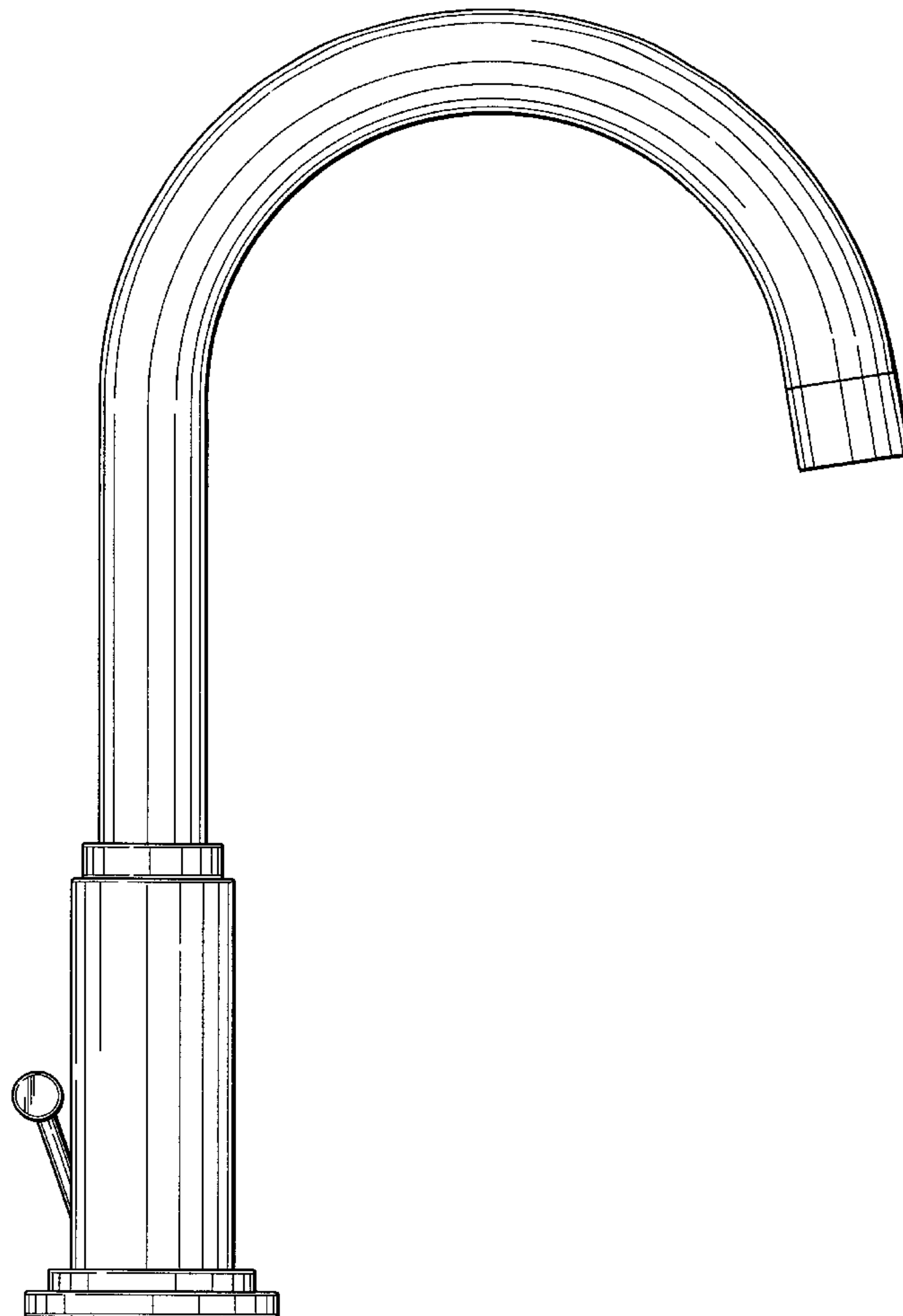
FIG. 3 is a rear elevational view thereof;

FIG. 4 is a left side elevational view thereof, the right side view being mirror symmetrical thereto;

FIG. 5 is a top plan view thereof; and,

FIG. 6 is a bottom plan view thereof.

1 Claim, 4 Drawing Sheets



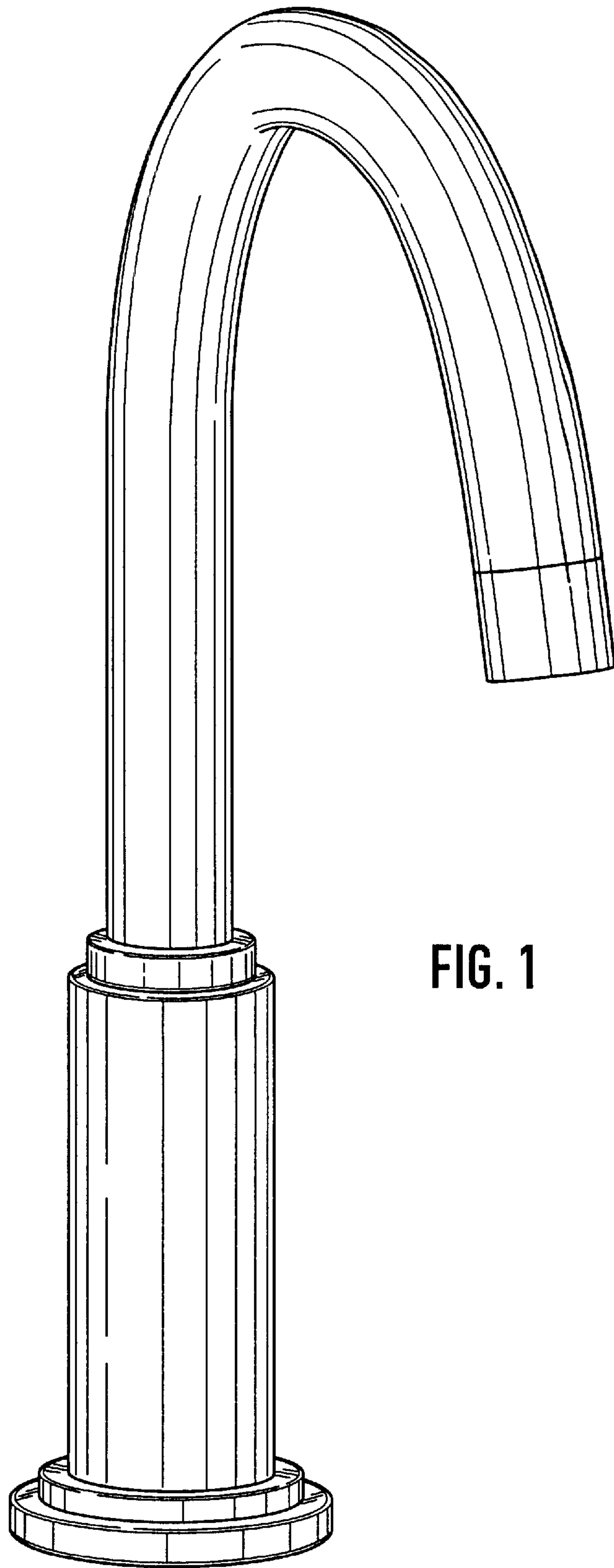


FIG. 1

FIG. 2

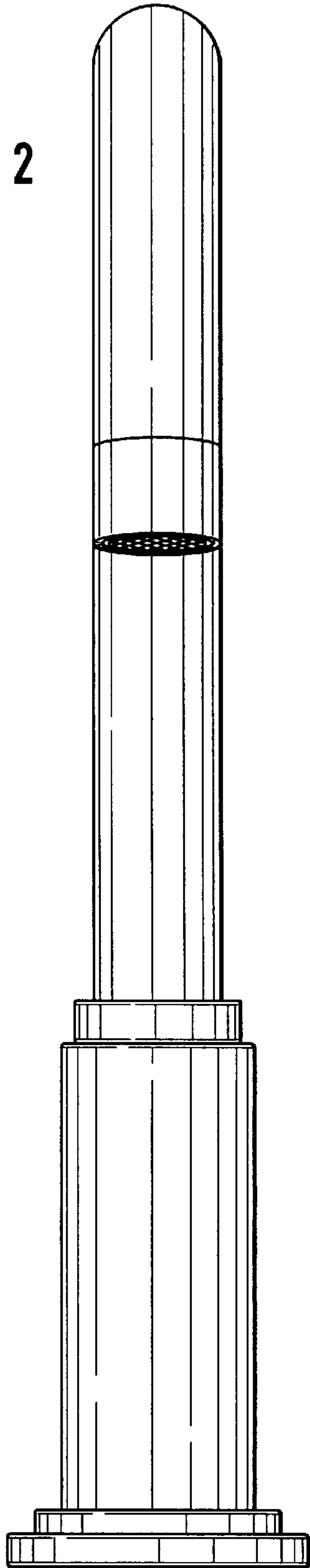
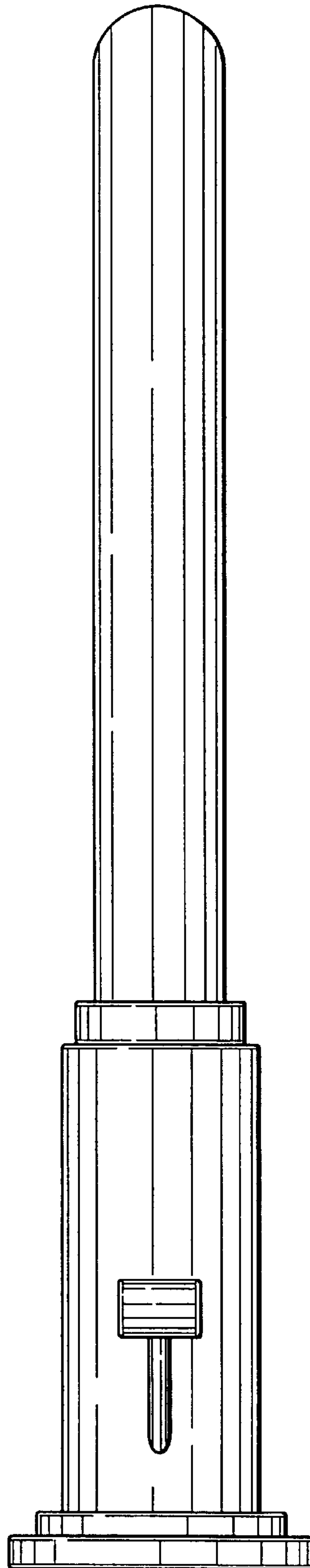


FIG. 3



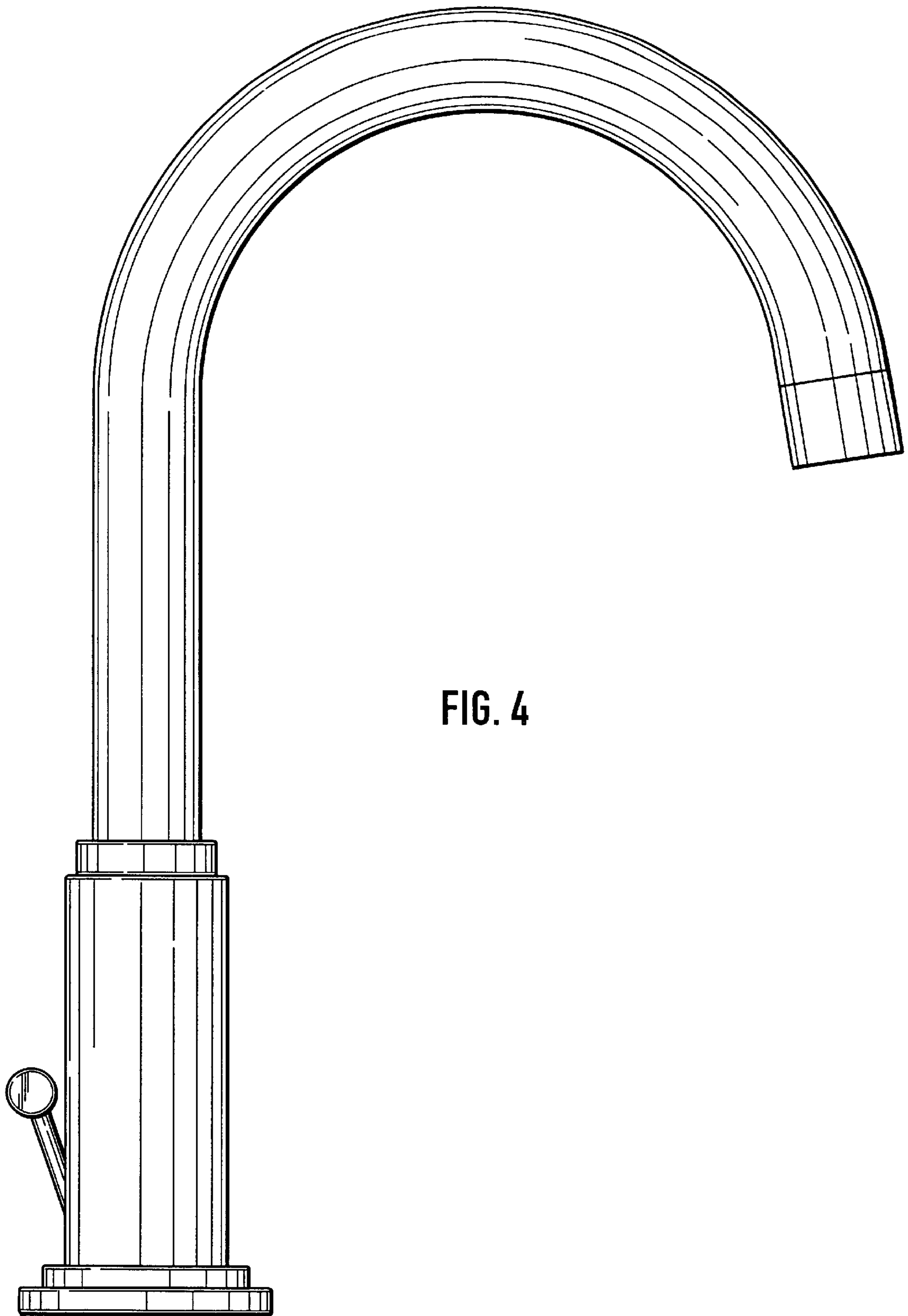


FIG. 4

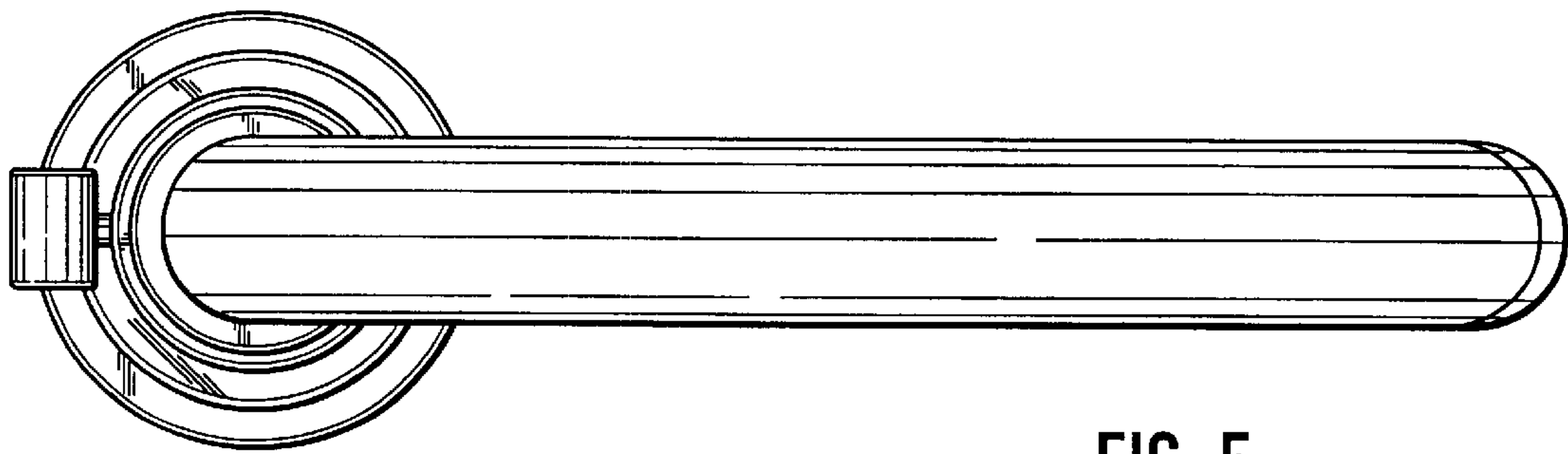


FIG. 5

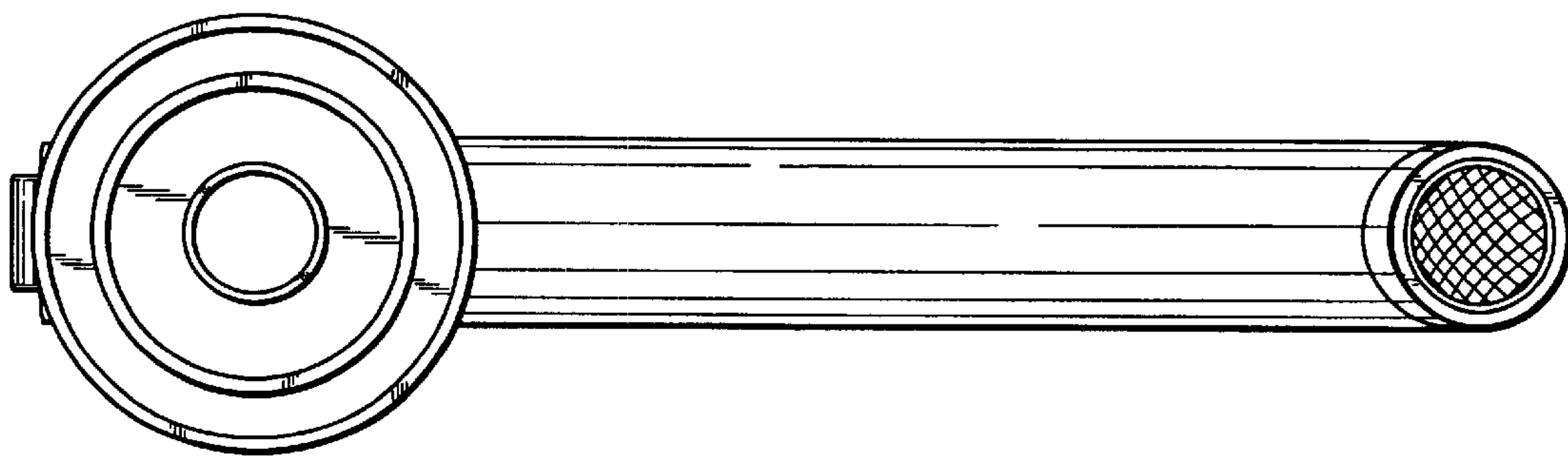


FIG. 6