



US00D461538S

(12) **United States Design Patent**
Gottwald

(10) **Patent No.:** **US D461,538 S**

(45) **Date of Patent:** **** Aug. 13, 2002**

(54) **WALL-MOUNT SPOUT**

(75) Inventor: **Adolf Gottwald**, Iserlohn (DE)

(73) Assignee: **Friedrich Grohe AG & Co. KG**,
Hemer (DE)

(**) Term: **14 Years**

(21) Appl. No.: **29/141,078**

(22) Filed: **Apr. 30, 2001**

(30) **Foreign Application Priority Data**

Nov. 24, 2000 (DE) 400 11 047

(51) **LOC (7) Cl.** **23-01**

(52) **U.S. Cl.** **D23/255**

(58) **Field of Search** D23/238-257;
4/675-678; 16/110 R-121; 137/801; 251/172

(56) **References Cited**

U.S. PATENT DOCUMENTS

D25,977 S * 8/1896 Horton D23/255
3,009,679 A * 11/1961 Williams 251/172

D267,188 S * 12/1982 Thompson D23/255
D322,658 S * 12/1991 Kohler, Jr. et al. D23/255
D421,486 S * 3/2000 Slothower et al. D23/255
D445,875 S * 7/2001 Fleischmann D23/238

* cited by examiner

Primary Examiner—Louis S. Zarfes

Assistant Examiner—Gregory Andoll

(74) *Attorney, Agent, or Firm*—Herbert Dubno

(57) **CLAIM**

The ornamental design for a wall-mount spout, as shown and described.

DESCRIPTION

FIG. 1 is a top, front, left-side perspective view of a wall-mount spout showing my new design;
FIG. 2 is a rear elevational view thereof;
FIG. 3 is a front elevational view thereof;
FIG. 4 is a top plan view thereof;
FIG. 5 is a left side elevational view thereof, the right side view being mirror symmetrical thereto; and,
FIG. 6 is a bottom plan view thereof.

1 Claim, 2 Drawing Sheets

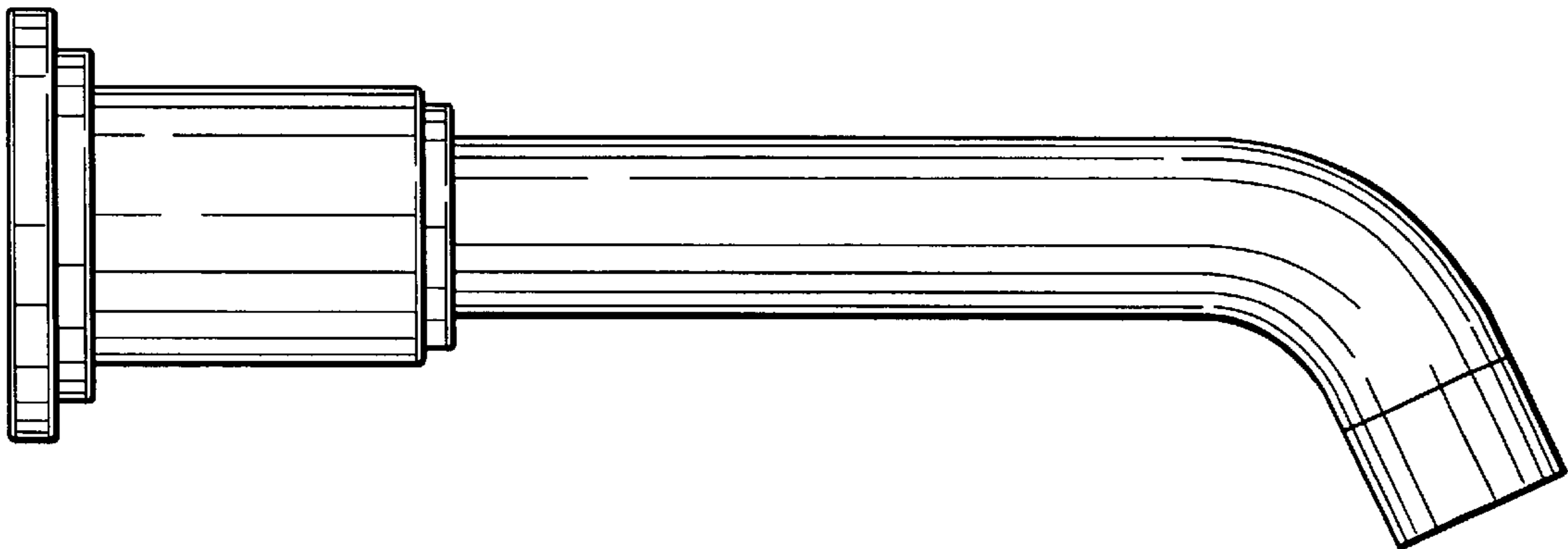


FIG. 1

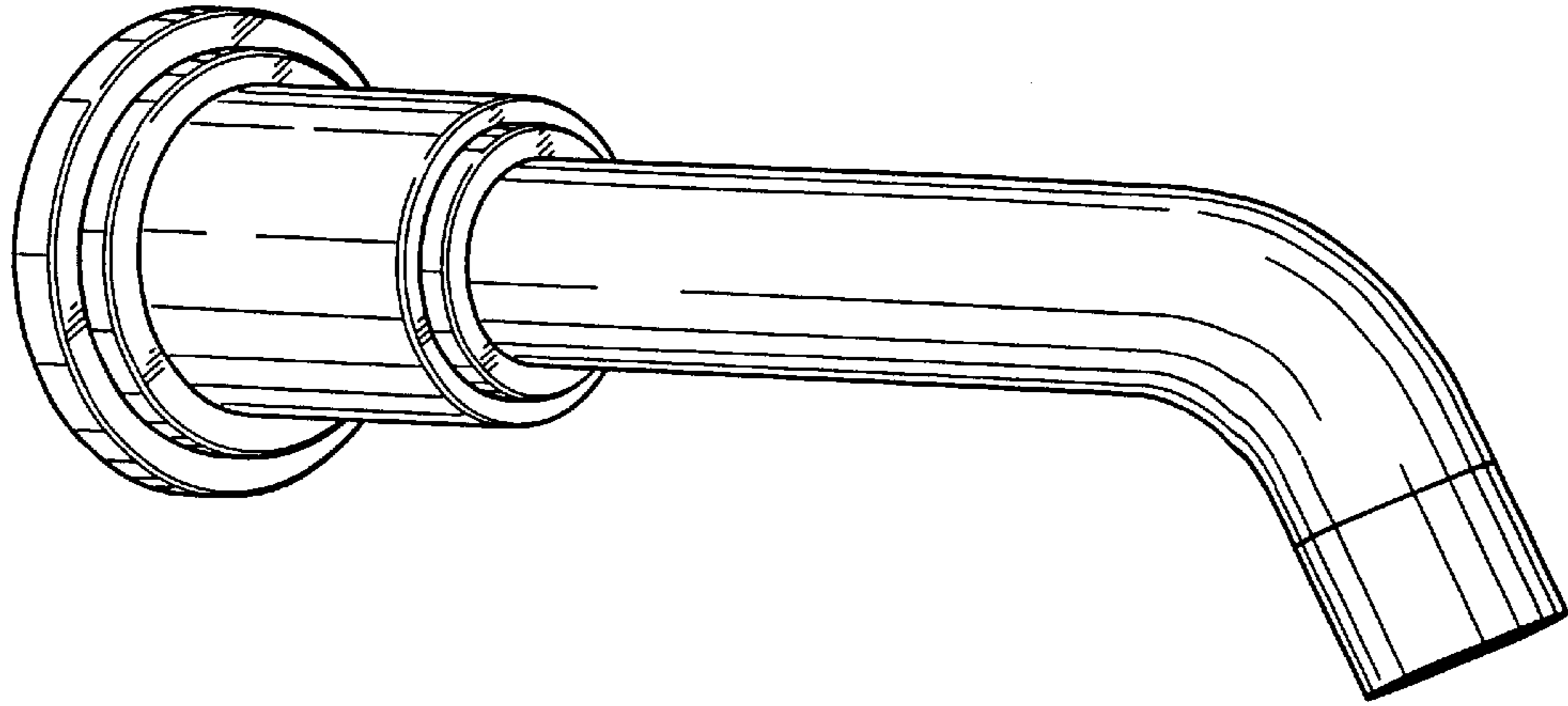


FIG. 2

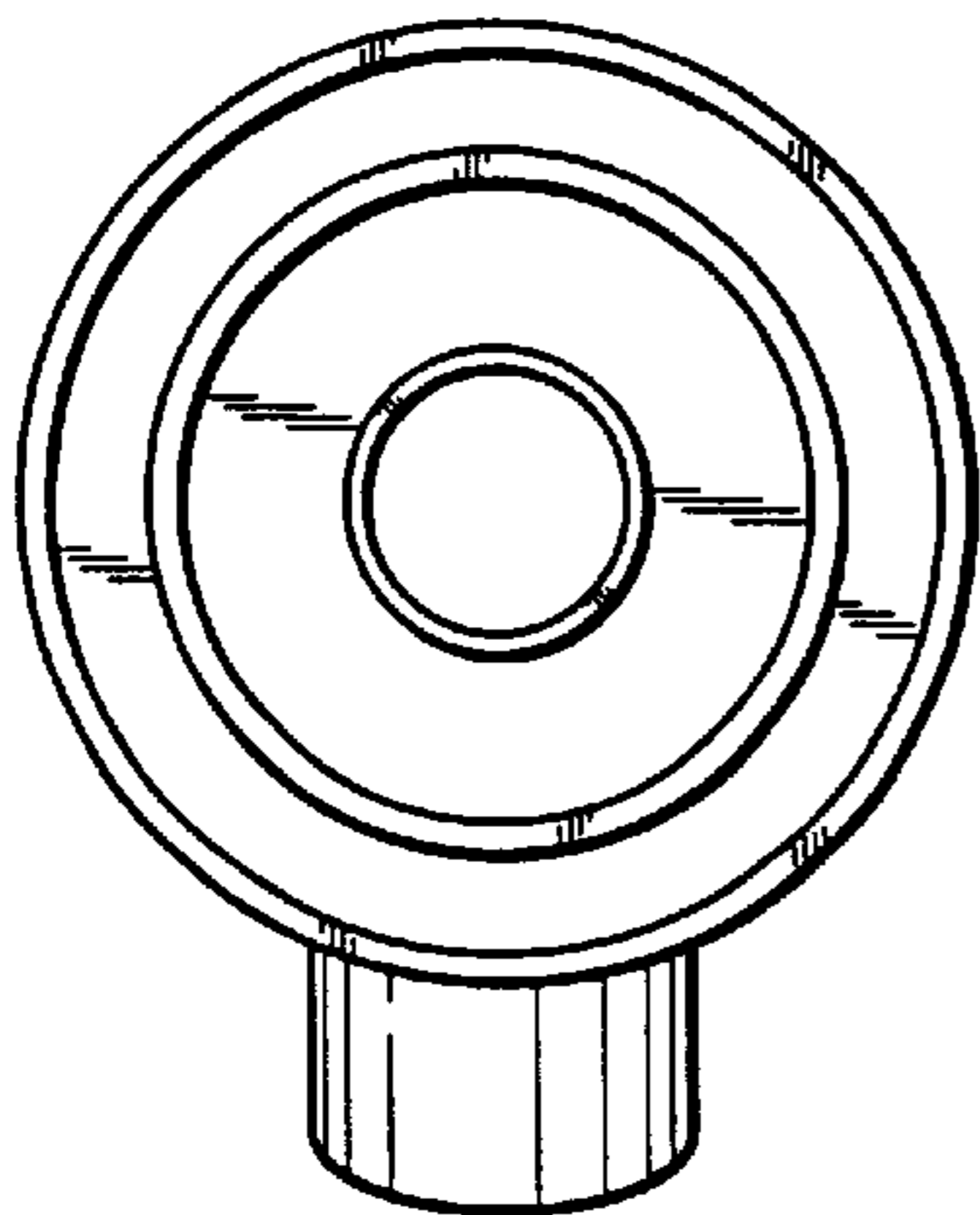


FIG. 3

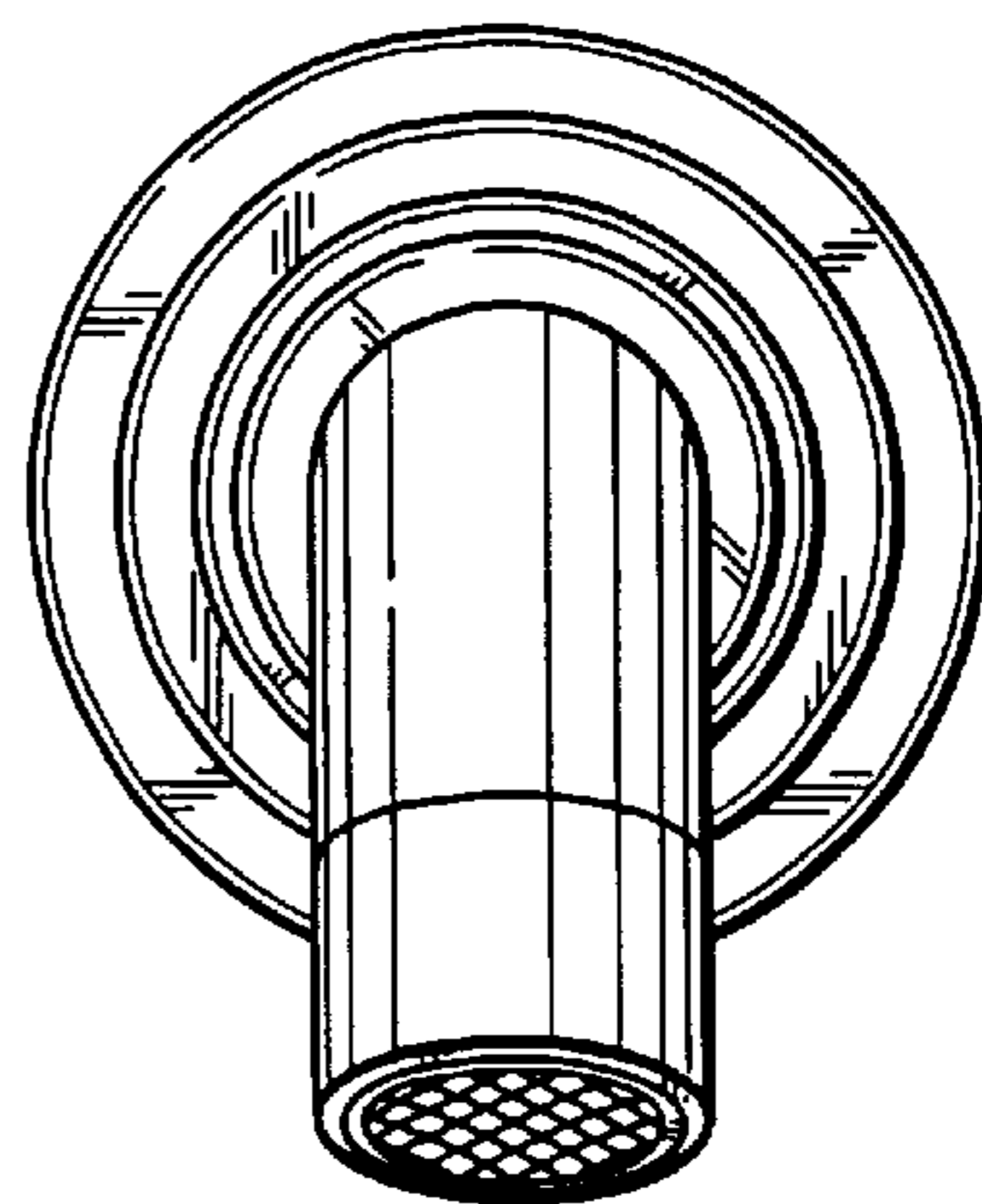


FIG. 4

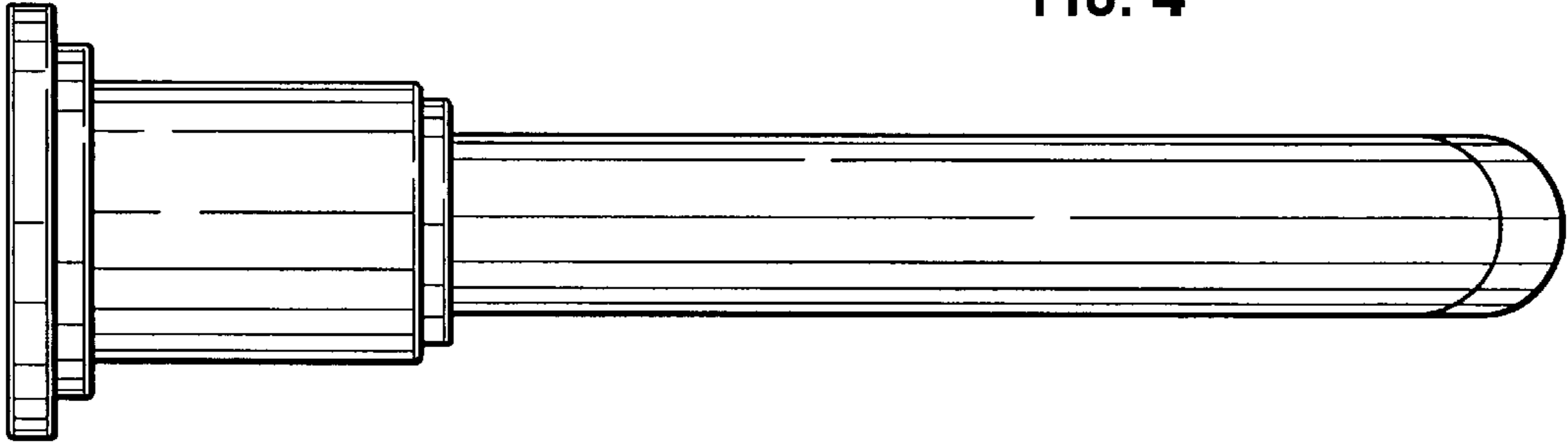


FIG. 5

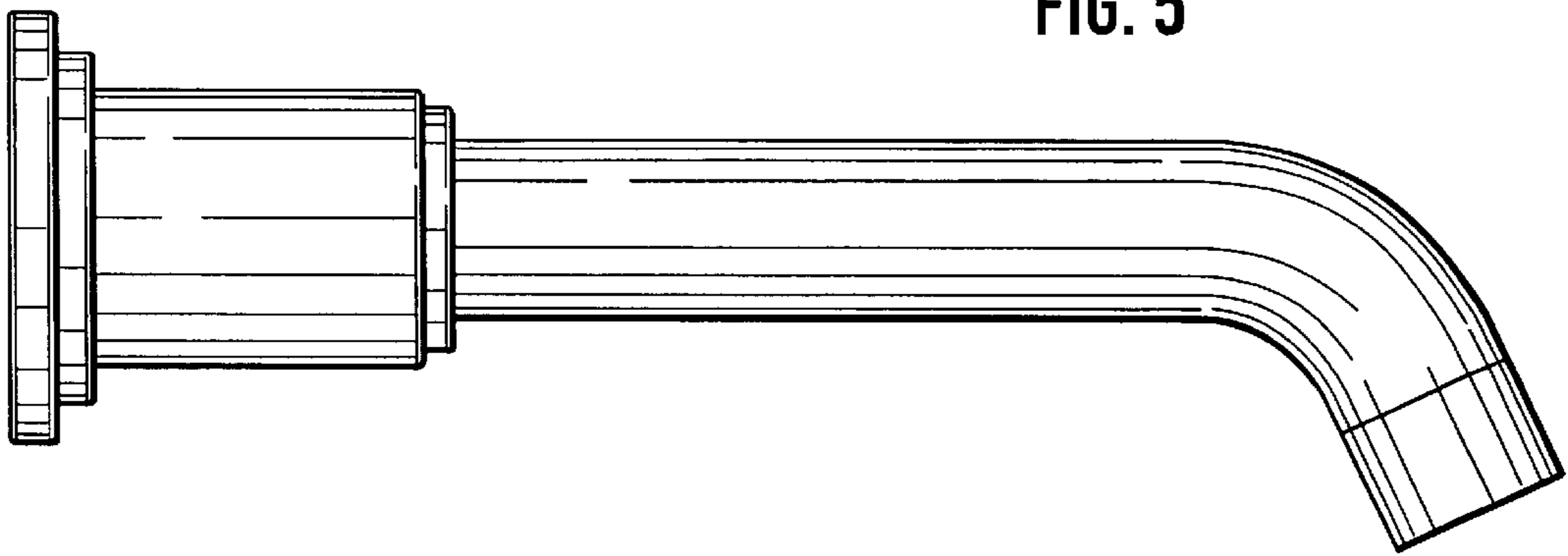


FIG. 6

