

US00D461536S

(12) **United States Design Patent**  
**Singtoroj**

(10) **Patent No.:** **US D461,536 S**

(45) **Date of Patent:** **\*\* Aug. 13, 2002**

(54) **LEVER HANDLE**

(75) **Inventor:** **Yos Singtoroj, Anaheim, CA (US)**

(73) **Assignee:** **Emhart LLC, Newark, DE (US)**

(\*\*) **Term:** **14 Years**

(21) **Appl. No.:** **29/151,869**

(22) **Filed:** **Dec. 7, 2001**

(51) **LOC (7) Cl.** ..... **23-01**

(52) **U.S. Cl.** ..... **D23/252**

(58) **Field of Search** ..... **D23/238-245,**  
**D23/249-257; D8/300-310, 350-354; 4/675-678;**  
**16/110 R-121; 137/801**

D405,162 S 2/1999 Doughty et al.

D428,118 S 7/2000 McKeone

D429,521 S 8/2000 Doughty et al.

\* cited by examiner

*Primary Examiner*—Louis S. Zarfes

*Assistant Examiner*—Gregory Andoll

(74) *Attorney, Agent, or Firm*—Richard J. Veltman; John D. Del Ponti

(57) **CLAIM**

The ornamental design for a lever handle, as shown and described.

**DESCRIPTION**

FIG. 1 is a perspective view of the new design for a lever handle;

FIG. 2 is a front elevational view of the new design for a lever handle, the rear elevational view being a mirror image;

FIG. 3 is a top plan view of the new design for a lever handle;

FIG. 4 is a bottom plan view of the new design for a lever handle;

FIG. 5 is a right side elevational view of the new design for a lever handle; and,

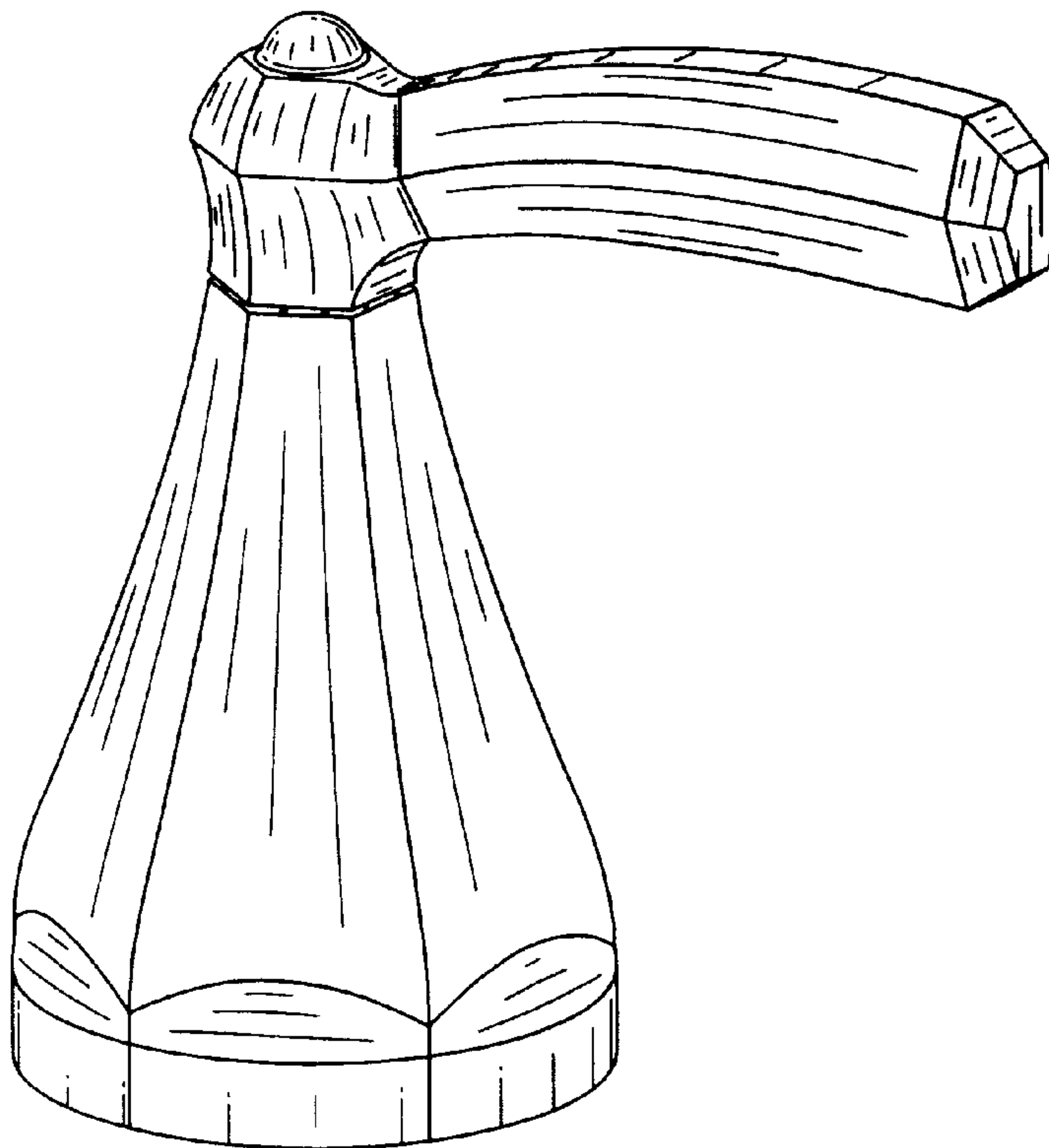
FIG. 6 is a left side elevational view of the new design for a lever handle.

(56) **References Cited**

**U.S. PATENT DOCUMENTS**

D76,560 S	*	10/1928	Smith	.....	D23/241
D76,827 S	*	11/1928	Smith	.....	D23/252
D77,334 S		12/1928	Thompson		
D77,453 S		1/1929	Smith		
D78,619 S		5/1929	Frankenberger		
D84,462 S	*	6/1931	Clemmons	.....	D23/252
D85,498 S		11/1931	Teller et al.		
D265,580 S		7/1982	Paul		
D285,106 S		8/1986	Yost		
D300,653 S		4/1989	Paul		
D305,724 S		1/1990	Mosch		

**1 Claim, 4 Drawing Sheets**



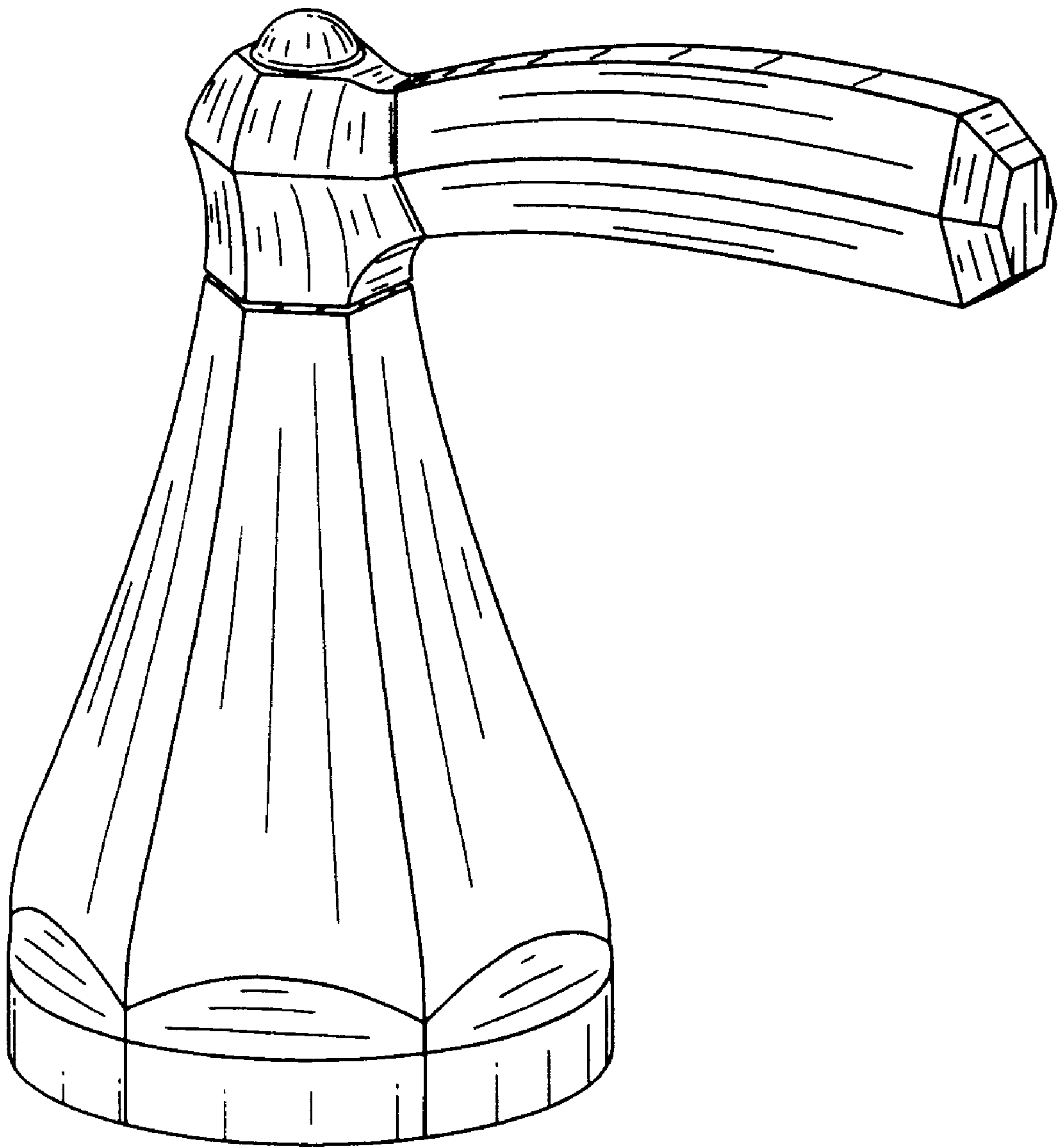


FIG. 1

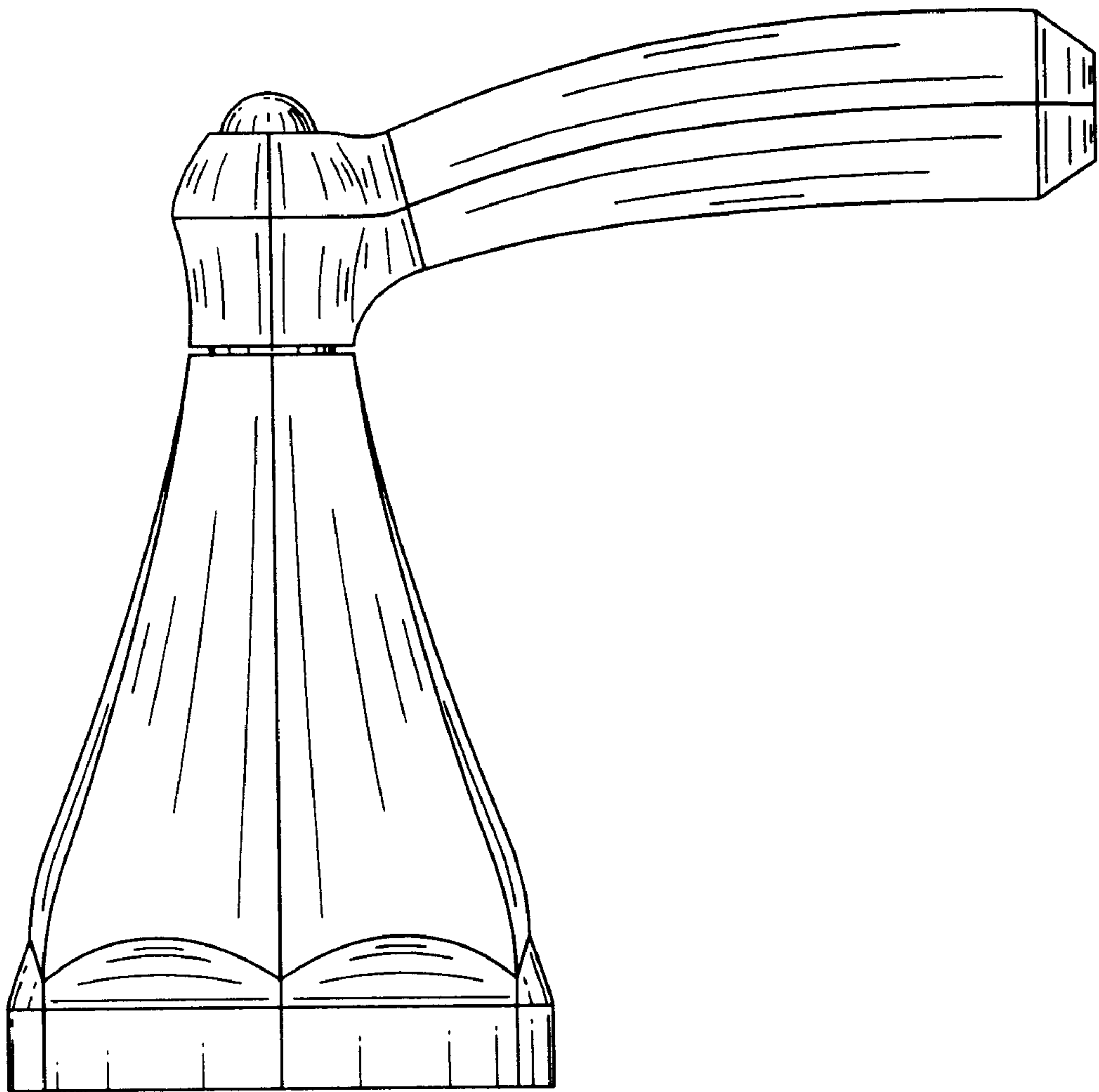


FIG. 2

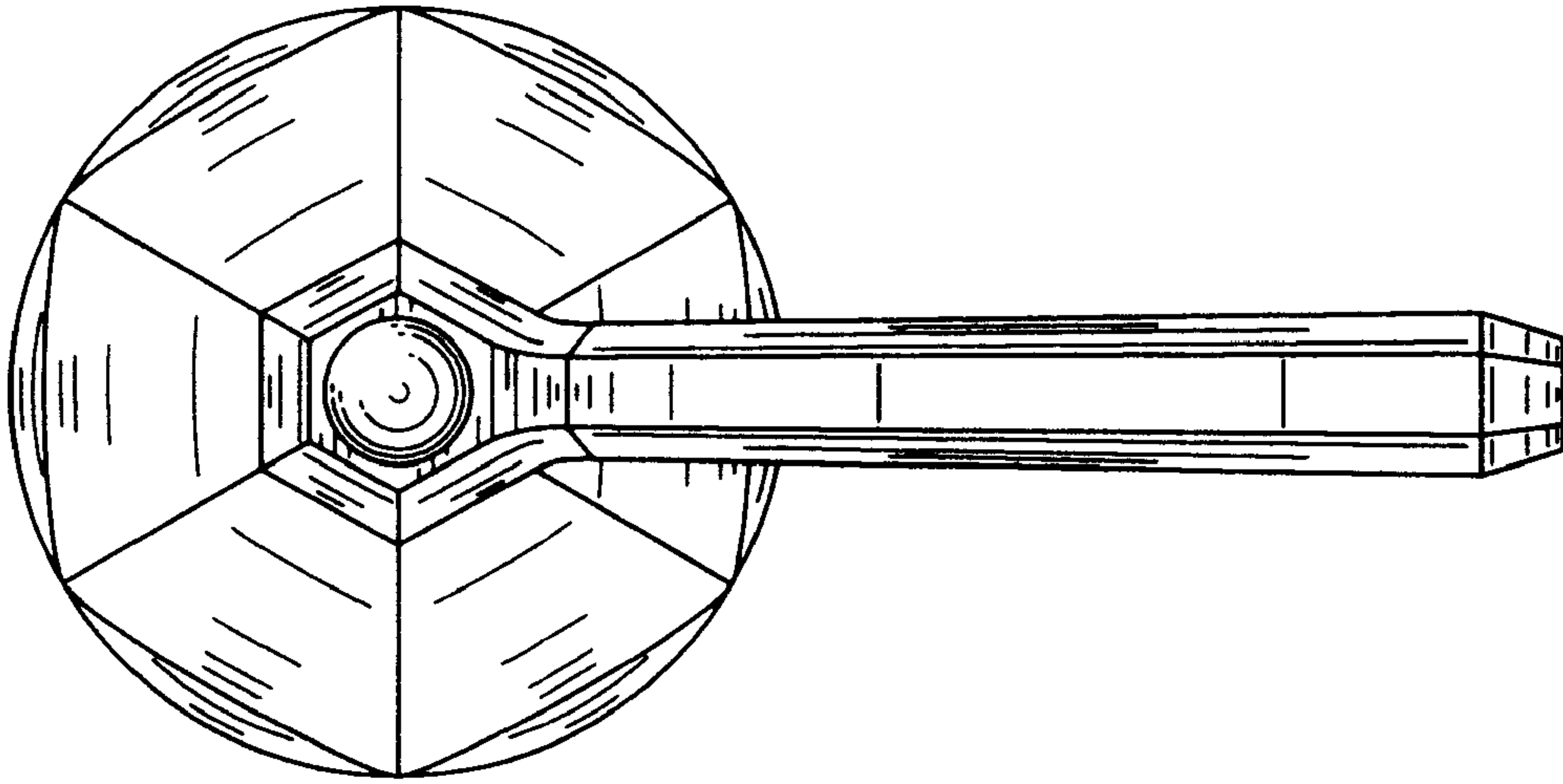


FIG. 3

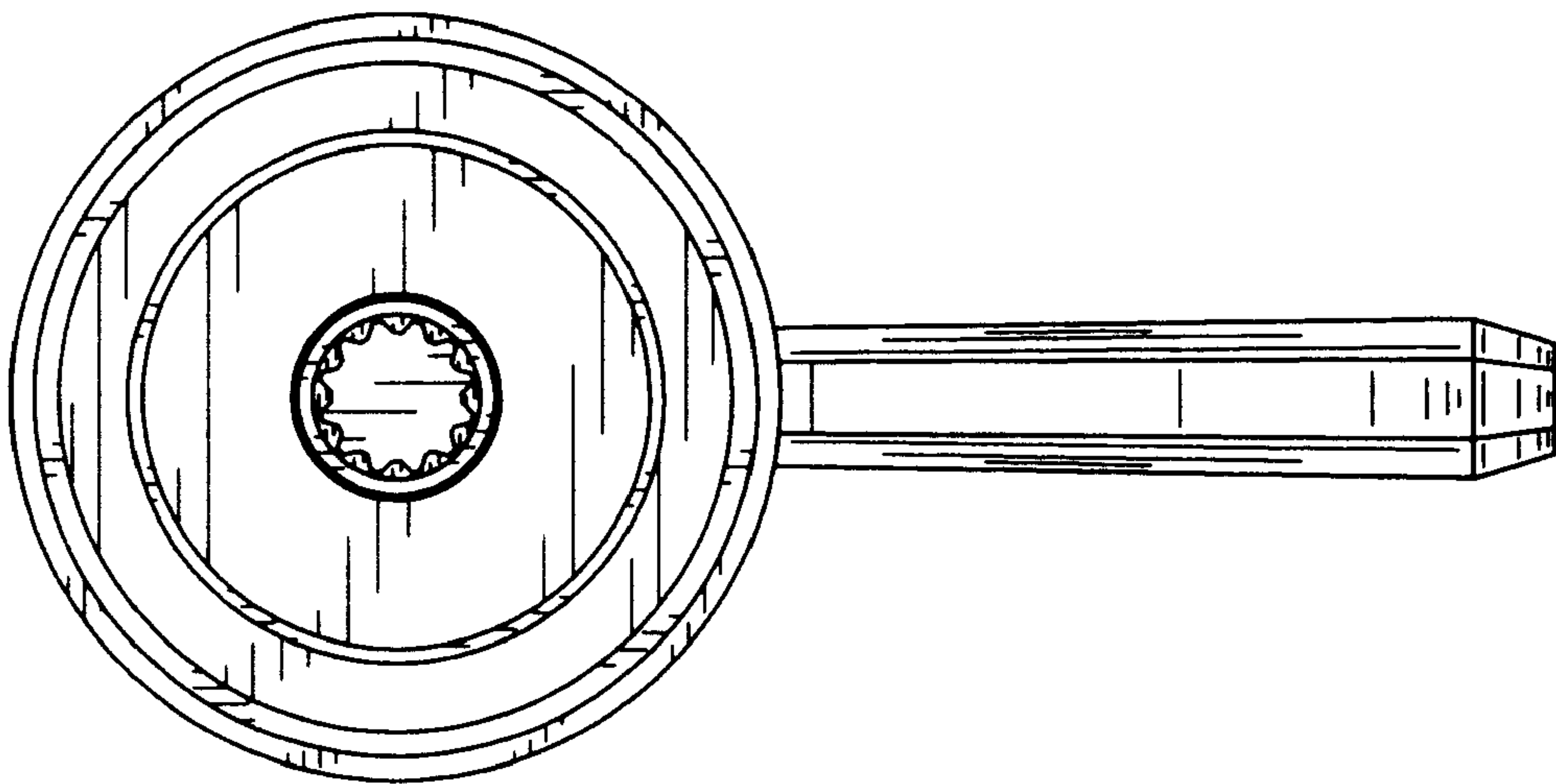


FIG. 4

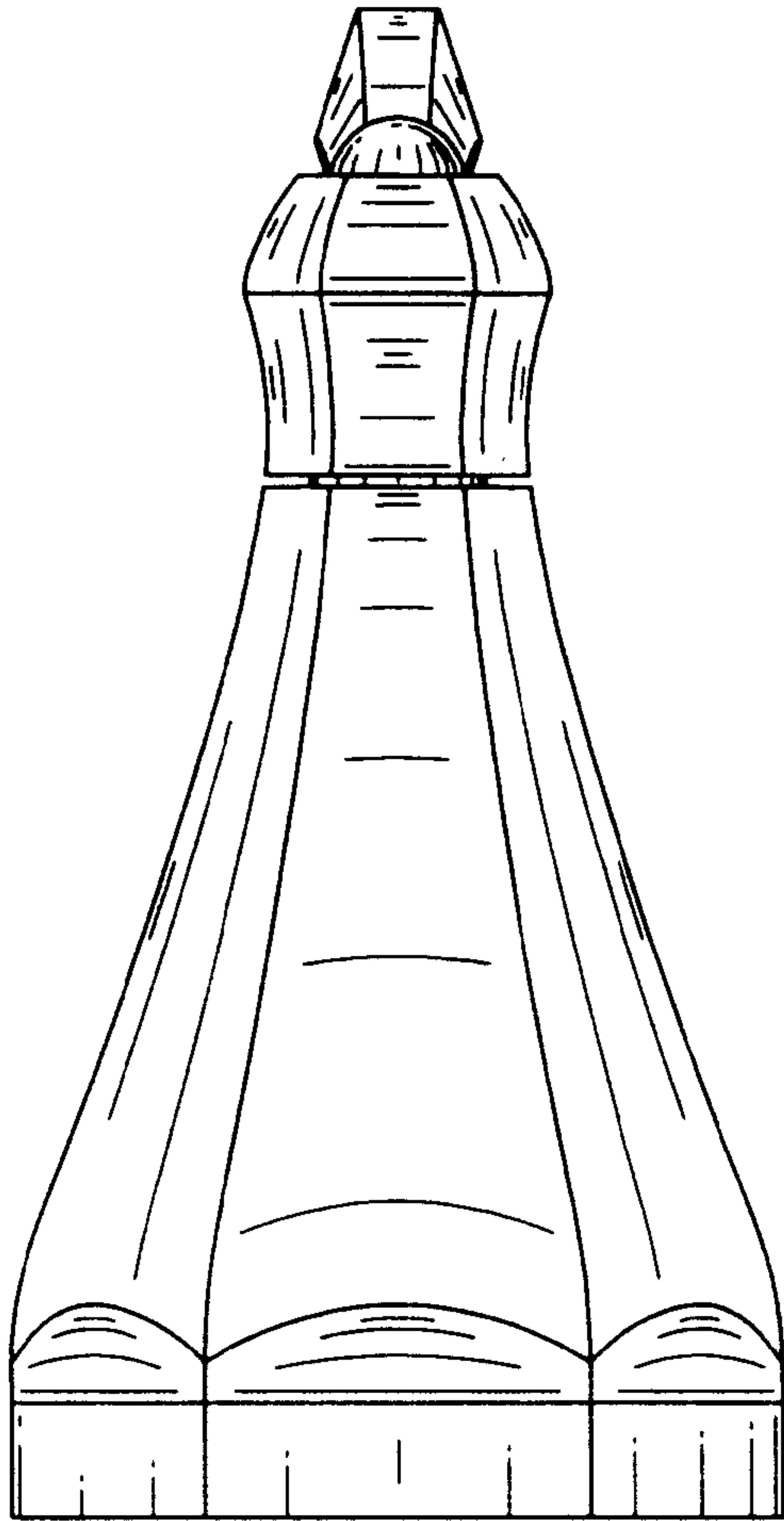


FIG. 5

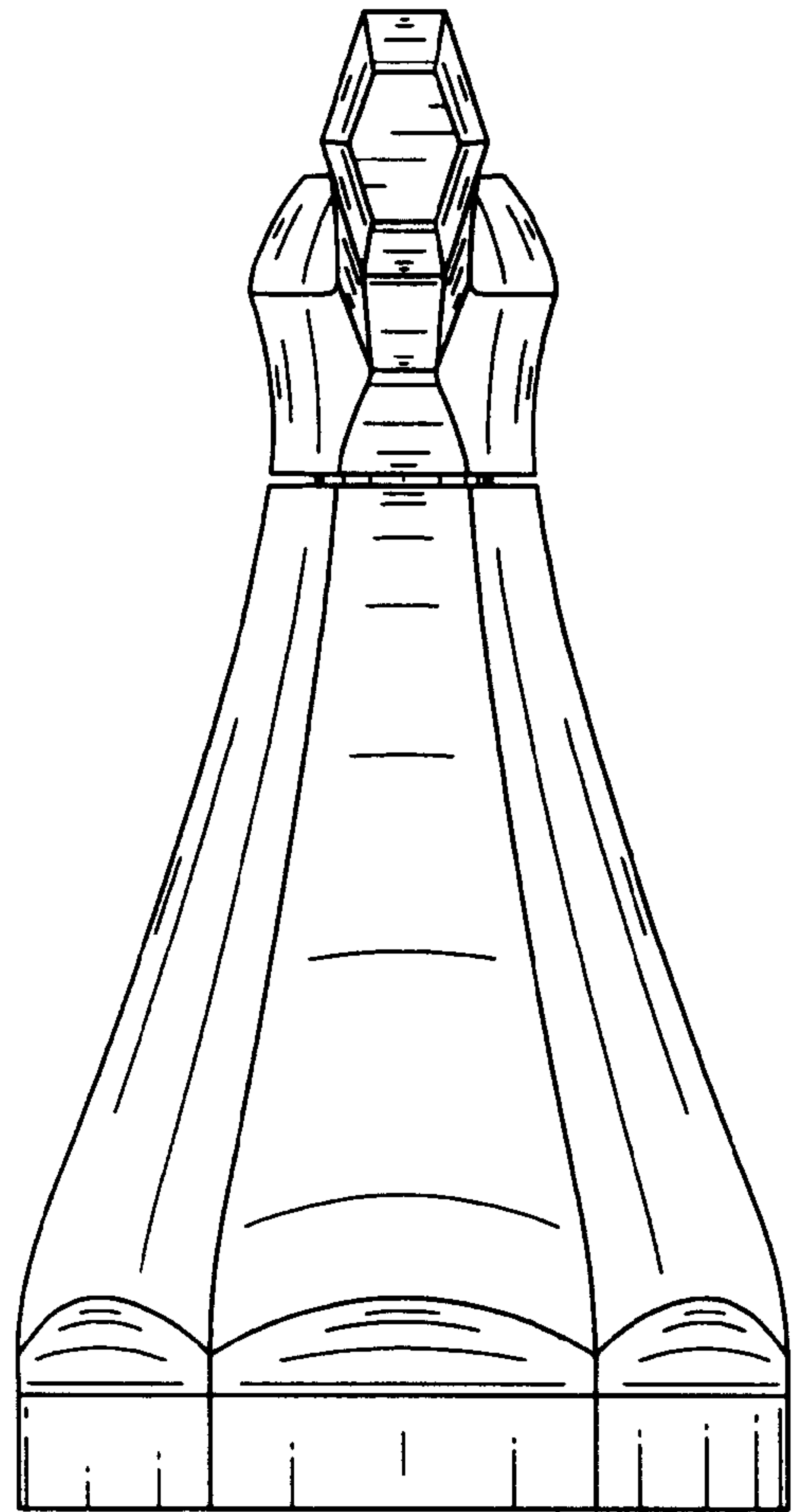


FIG. 6