



US00D461535S

(12) **United States Design Patent**
Antoniello et al.

(10) **Patent No.:** **US D461,535 S**

(45) **Date of Patent:** **** Aug. 13, 2002**

(54) **HANDLE**

(75) Inventors: **Frank Antoniello**, Commack; **Glenn Davis**, Wheatley Heights, both of NY (US)

(73) Assignee: **I.W. Industries, Inc.**, Melville, NY (US)

(**) Term: **14 Years**

(21) Appl. No.: **29/146,475**

(22) Filed: **Aug. 10, 2001**

(51) **LOC (7) Cl.** **23-01**

(52) **U.S. Cl.** **D23/252**

(58) **Field of Search** D23/238-245,
D23/249-257; D8/300-310, 350-354; 4/675-678;
16/110 R-121; 137/801

(56) **References Cited**

U.S. PATENT DOCUMENTS

D289,676 S * 5/1987 Evans et al. D23/252

D303,140 S * 8/1989 Robbins et al. D23/252

D364,216 S * 11/1995 Hill et al. D23/252

D430,924 S * 9/2000 Wei et al. D23/252

* cited by examiner

Primary Examiner—Louis S. Zarfes

Assistant Examiner—Gregory Andoll

(74) *Attorney, Agent, or Firm*—Alfred M. Walker

(57) **CLAIM**

The ornamental design for a handle, as shown and described.

DESCRIPTION

FIG. 1 is a perspective view of a handle, showing my new design;

FIG. 2 is a left side elevational view thereof;

FIG. 3 is a right side elevational view thereof;

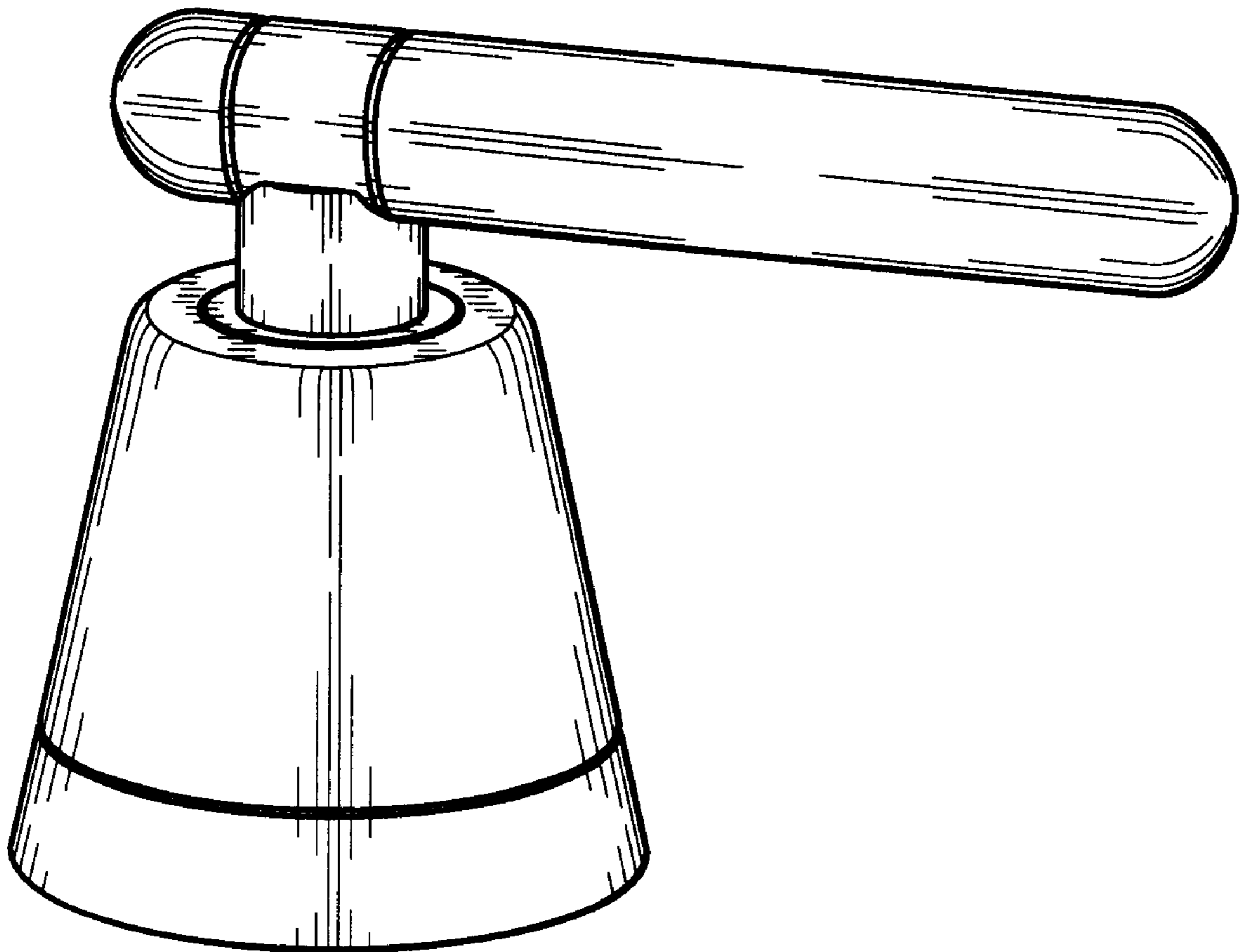
FIG. 4 is a front elevational view thereof;

FIG. 5 is a top plan view thereof; and,

FIG. 6 is a bottom view thereof.

The broken lines in the Figures are for illustrative purposes only and form no part of the claimed design.

1 Claim, 6 Drawing Sheets



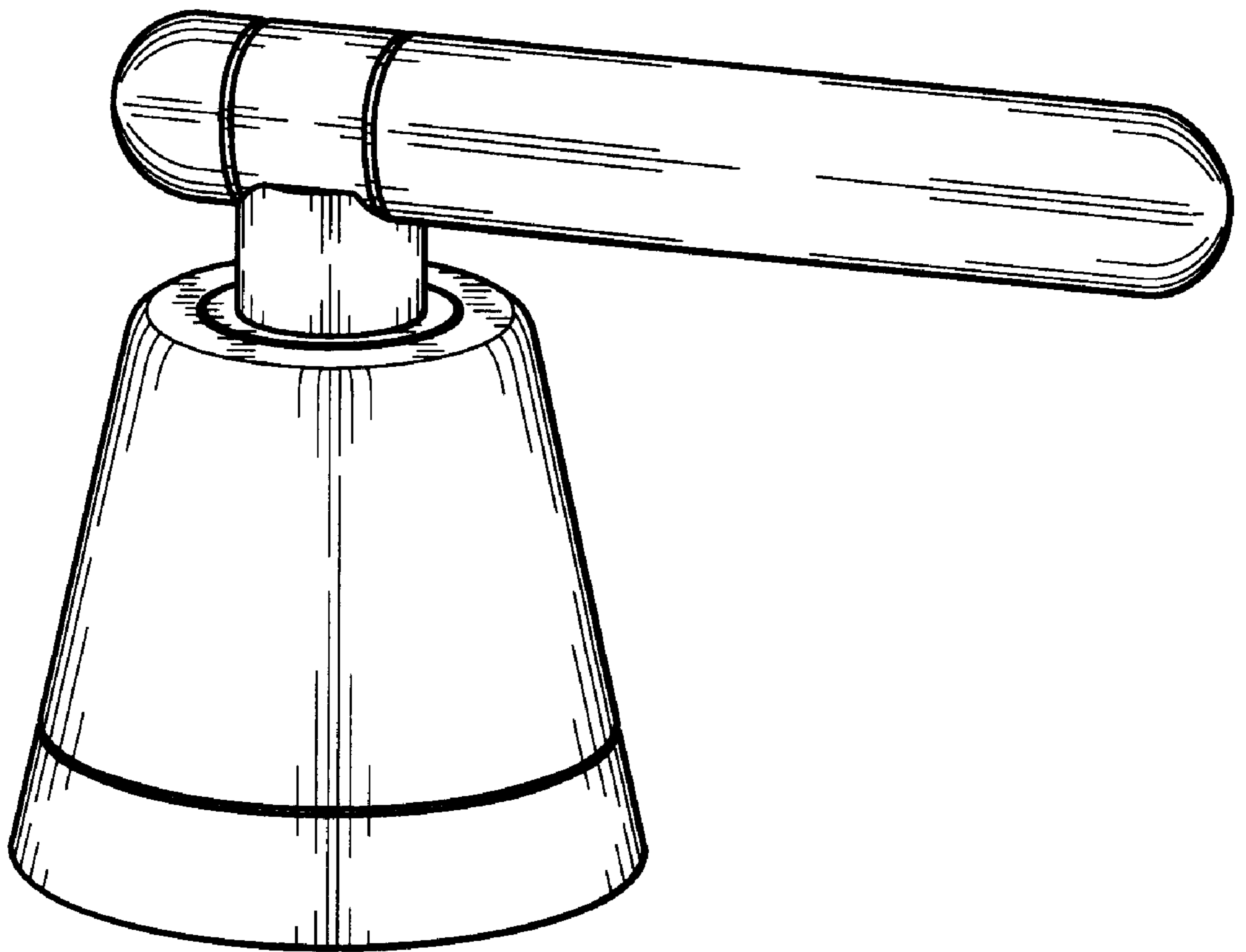


FIG. 1

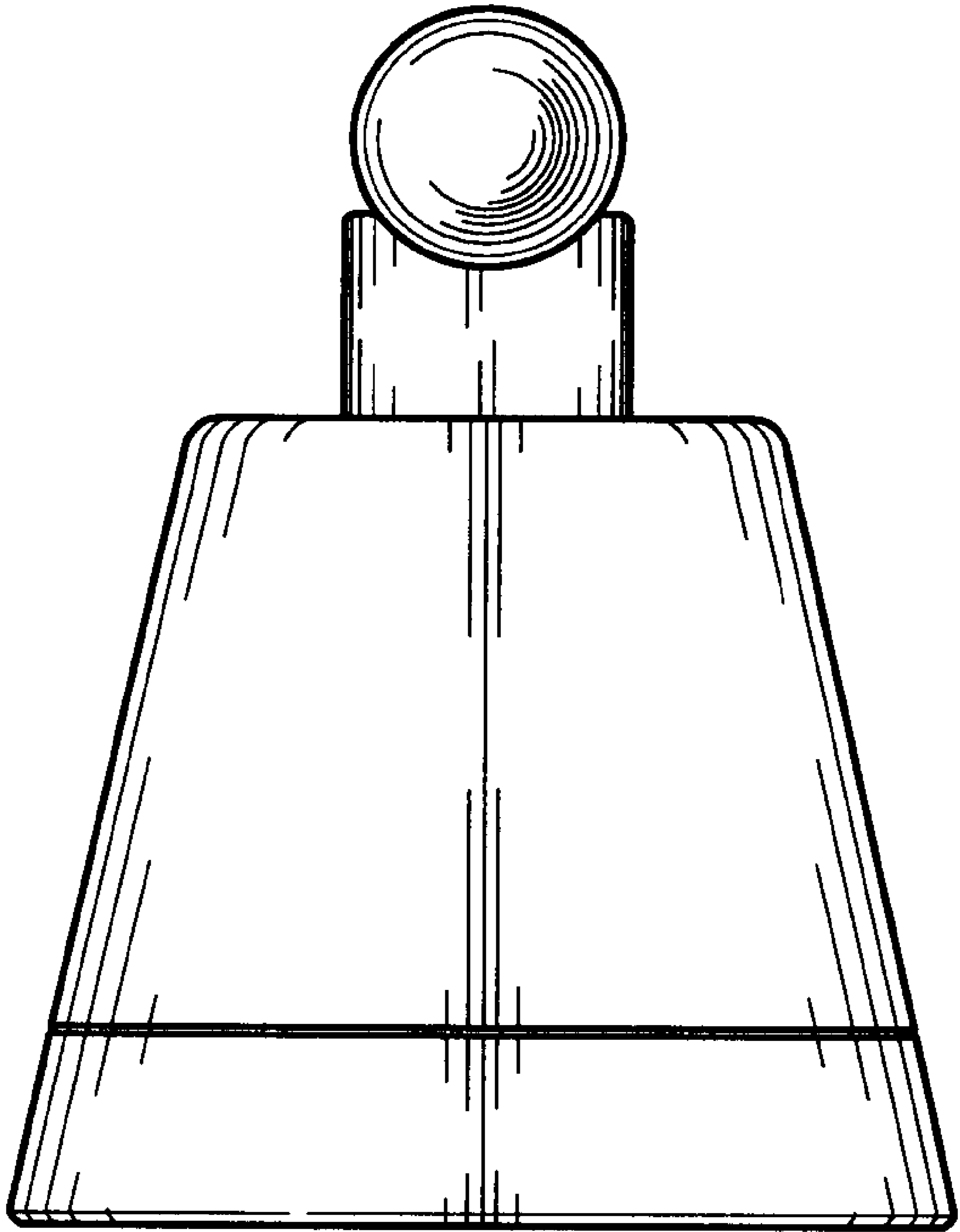


FIG. 2

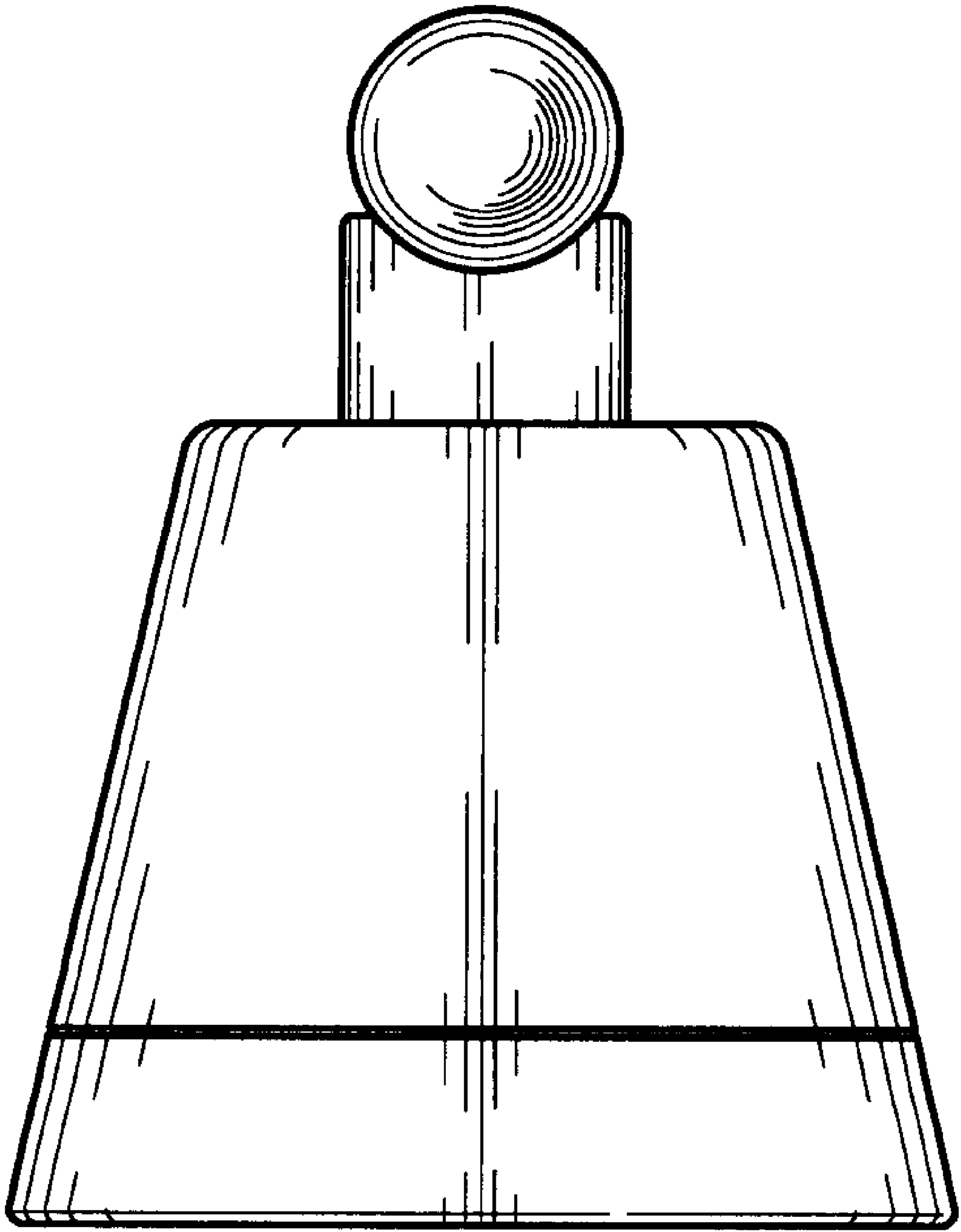


FIG. 3

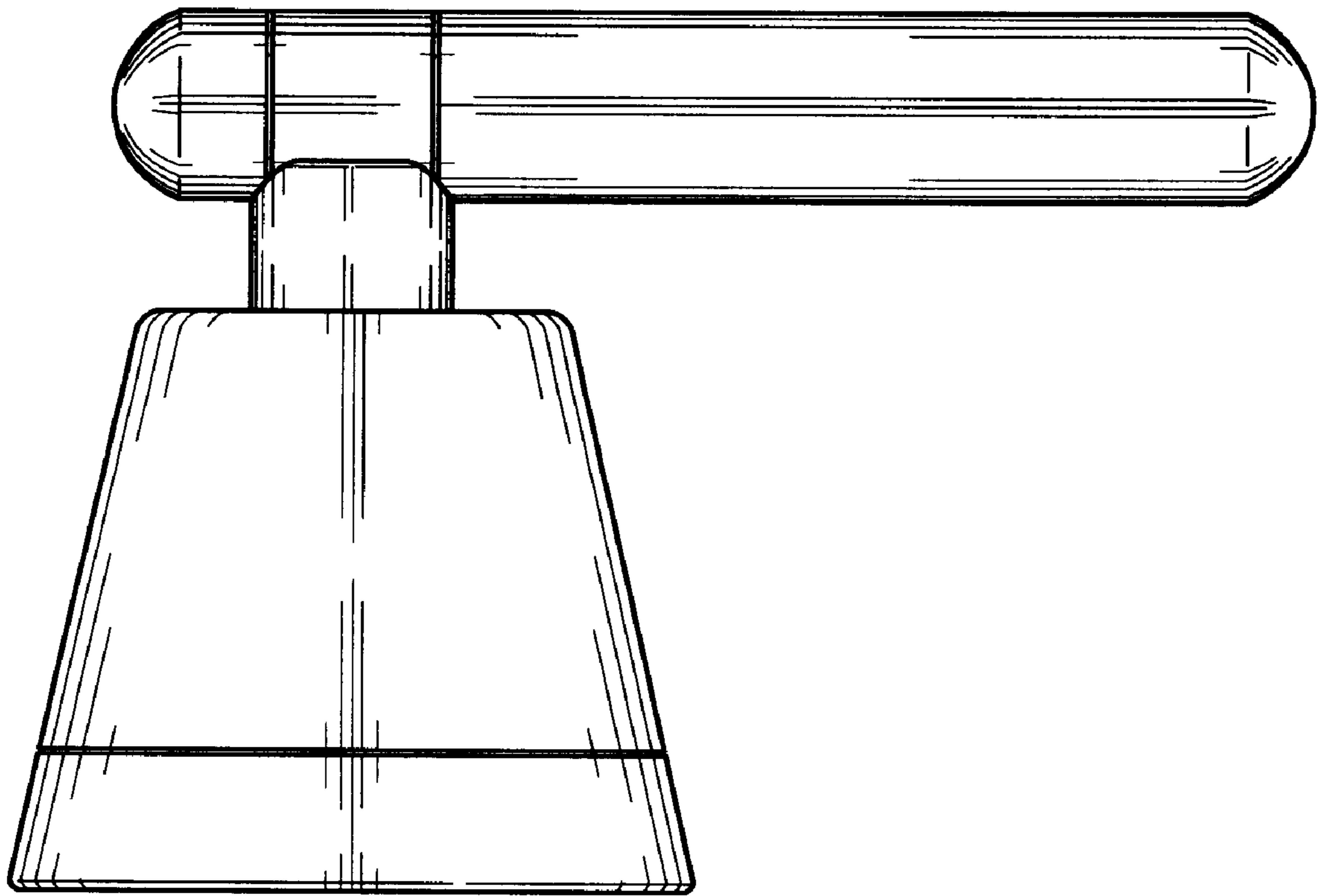


FIG. 4

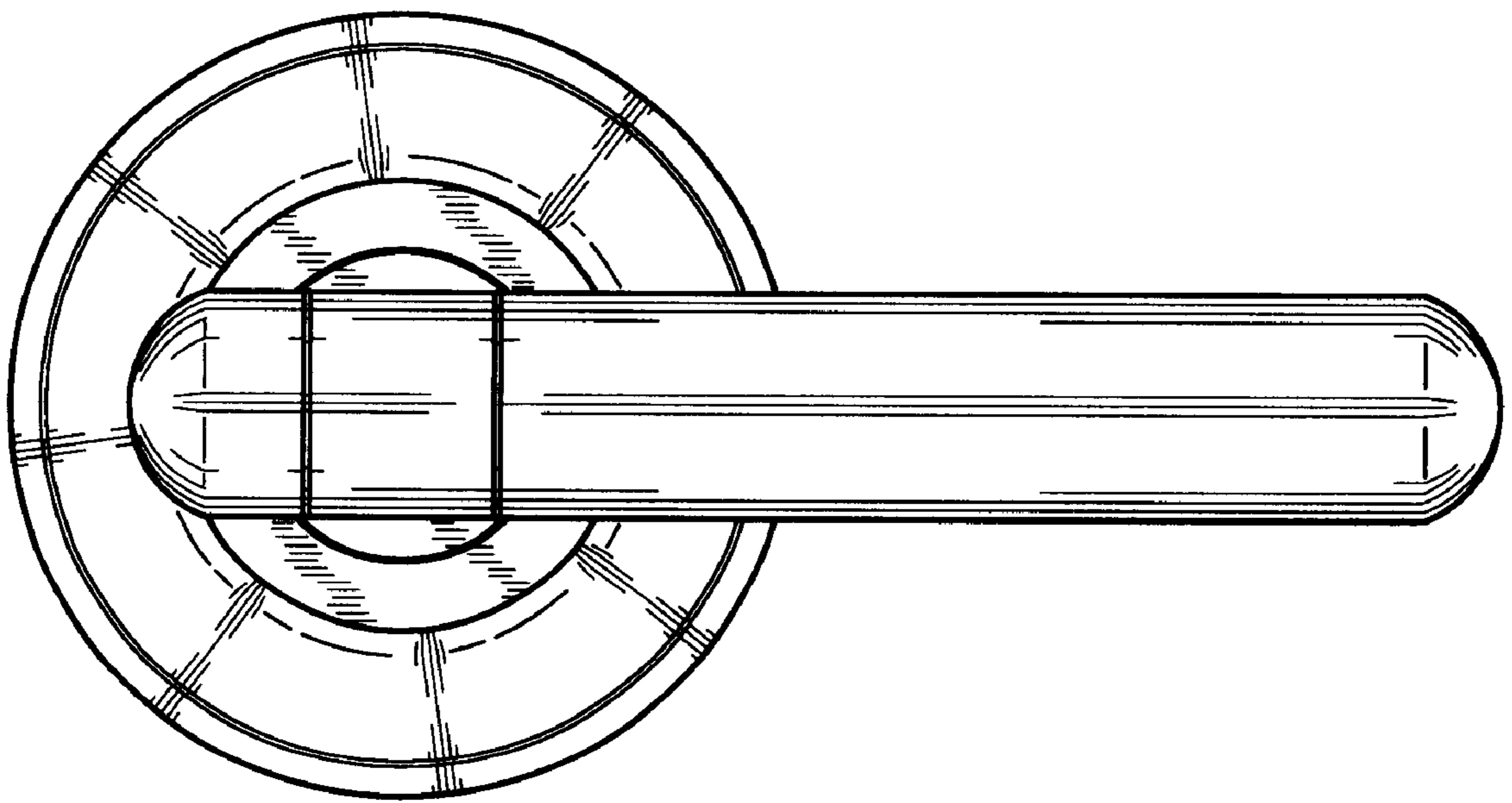


FIG. 5

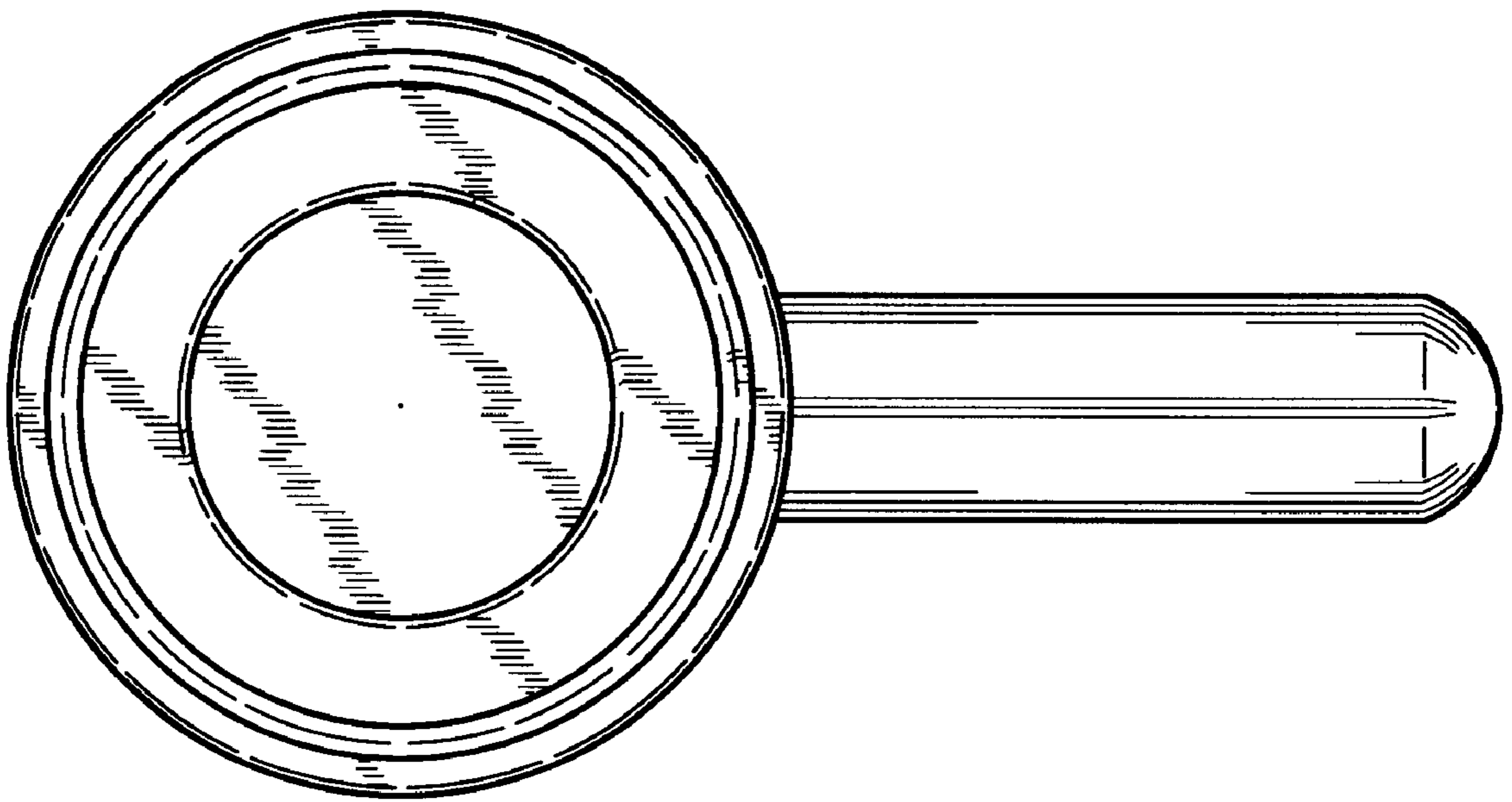


FIG. 6