



US00D461530S

(12) **United States Design Patent**
Moll

(10) **Patent No.:** **US D461,530 S**

(45) **Date of Patent:** **** Aug. 13, 2002**

(54) **FAUCET**

(75) **Inventor:** **Reiner Moll, Schwäbisch Gmünd (DE)**

(73) **Assignee:** **Aloys F. Dornbracht GmbH & Co. KG, Iserlohn (DE)**

(**) **Term:** **14 Years**

(21) **Appl. No.:** **29/148,558**

(22) **Filed:** **Sep. 21, 2001**

(30) **Foreign Application Priority Data**

Mar. 26, 2001 (XH) DM/055 700

(51) **LOC (7) Cl.** **23-01**

(52) **U.S. Cl.** **D23/242; D23/241; D23/238**

(58) **Field of Search** **D23/238-257; 4/675-678; 16/110 R-121; 137/801**

(56) **References Cited**

U.S. PATENT DOCUMENTS

D265,229 S * 6/1982 Paul D23/242

D265,580 S * 7/1982 Paul D23/242

D290,870 S * 7/1987 Paul D23/242

D298,564 S * 11/1988 Paul D23/250

D360,016 S * 7/1995 Hseih D23/241

D369,651 S * 5/1996 Saadi et al. D23/255

* cited by examiner

Primary Examiner—Louis S. Zarfes

Assistant Examiner—Gregory Andoll

(74) *Attorney, Agent, or Firm*—Herbert Dubno

(57) **CLAIM**

The ornamental design for a faucet, as shown and described.

DESCRIPTION

FIG. 1 is at top, front, left-side perspective view of a faucet showing my new design;

FIG. 2 is a front elevational view thereof;

FIG. 3 is a rear elevational view thereof;

FIG. 4 is a top plan view thereof;

FIG. 5 is a bottom plan view thereof; and,

FIG. 6 is a left side elevational view thereof, the right side elevational view being mirror symmetrical thereto.

1 Claim, 6 Drawing Sheets

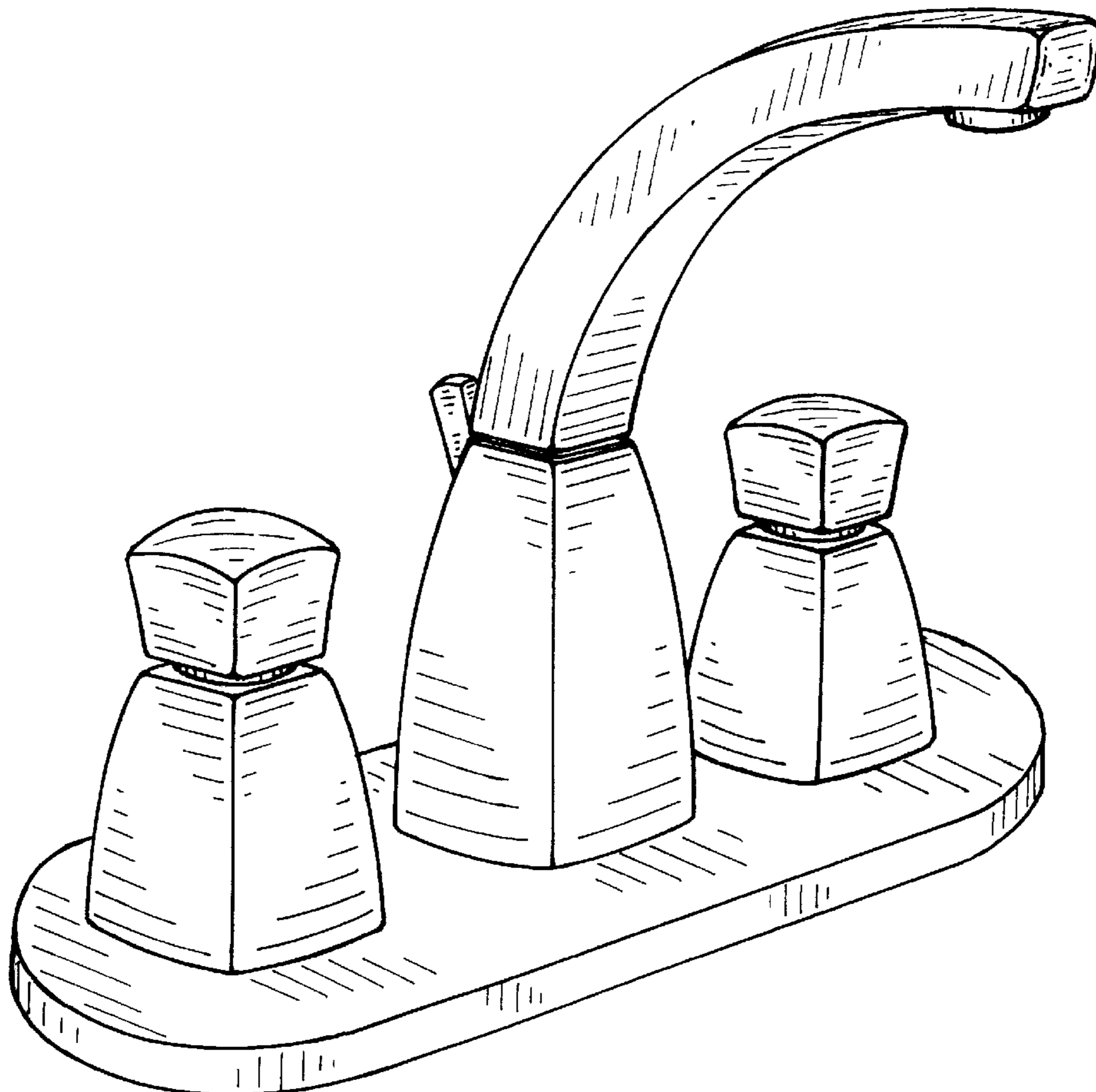


Fig.1

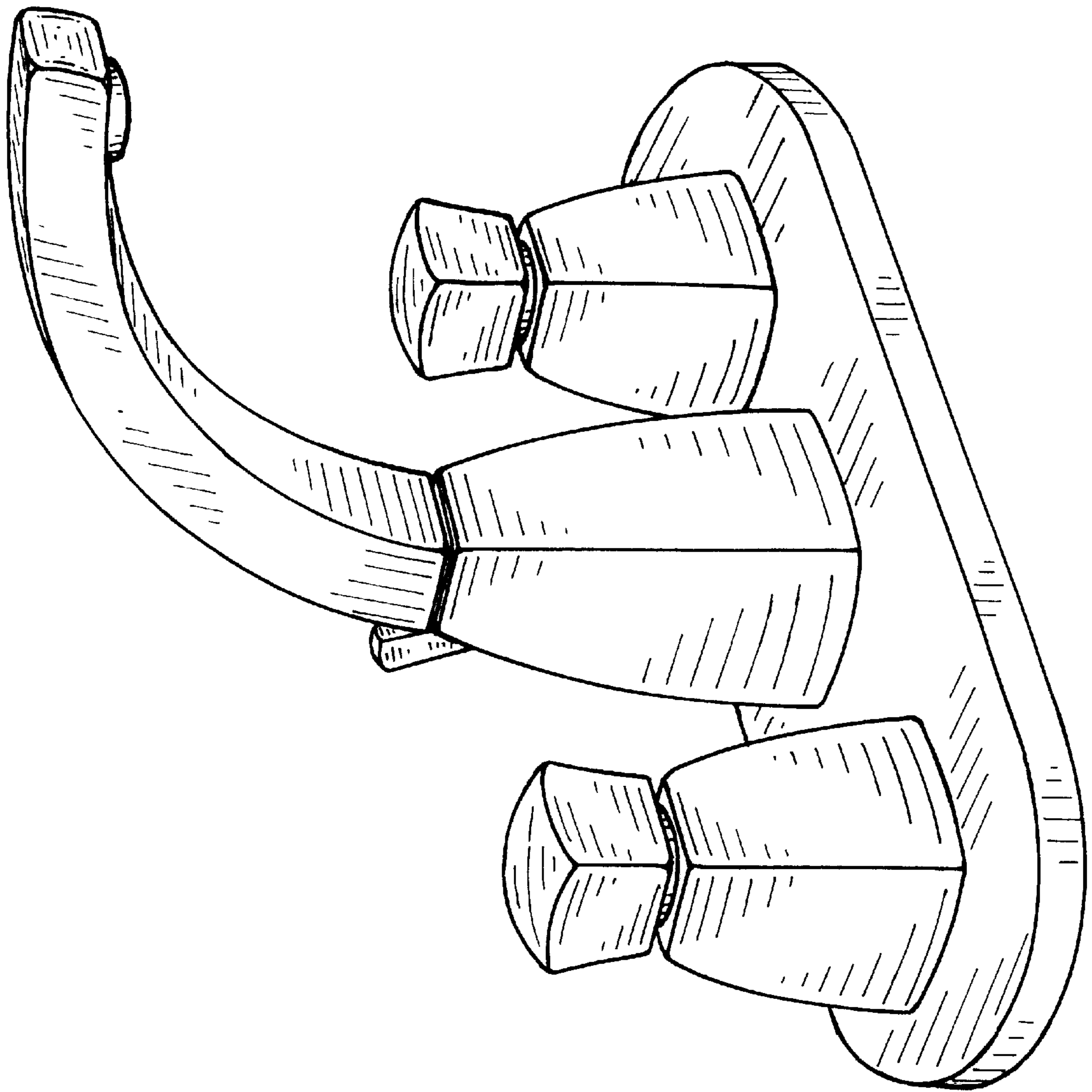


Fig. 2

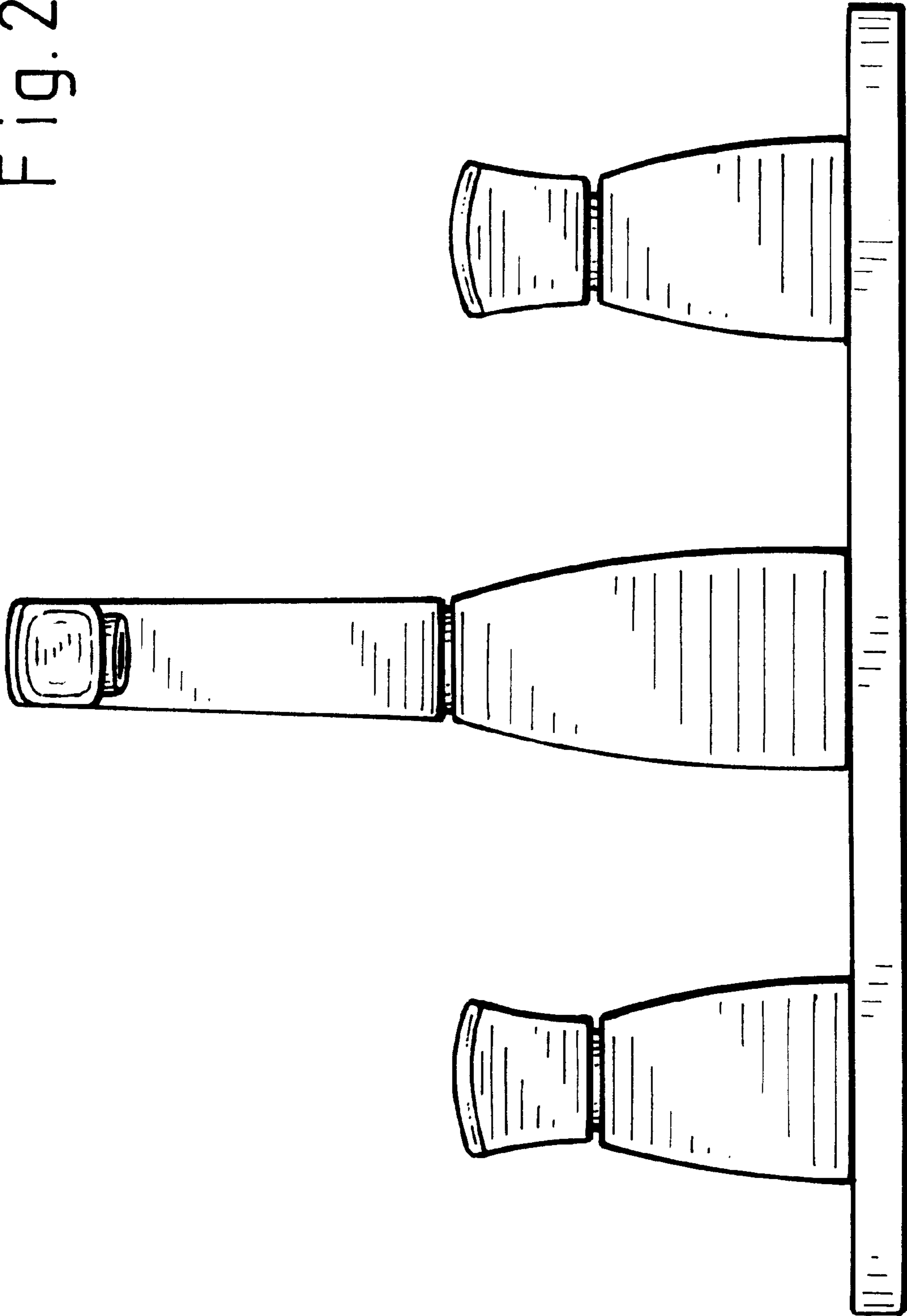


Fig. 3

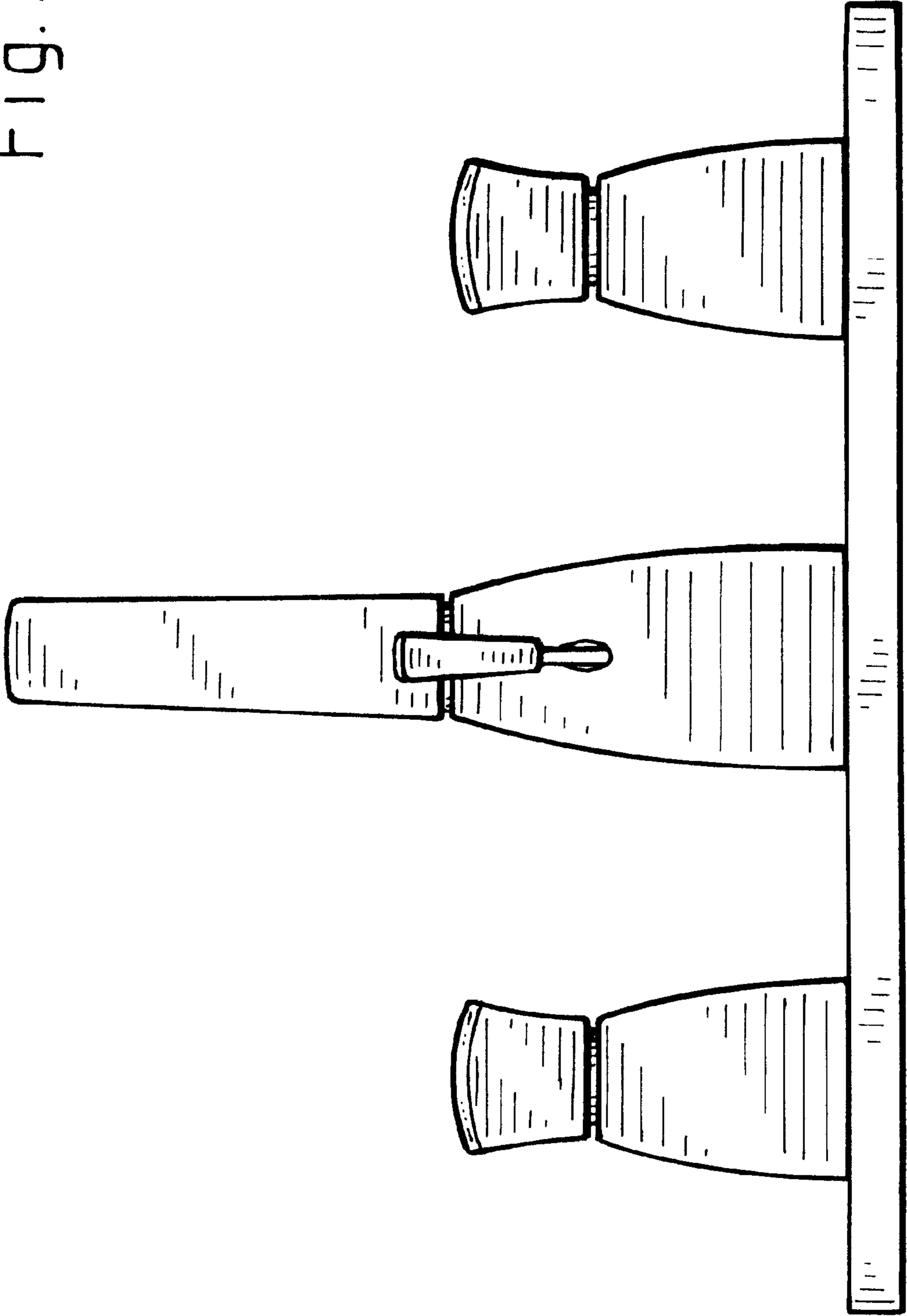


Fig. 4

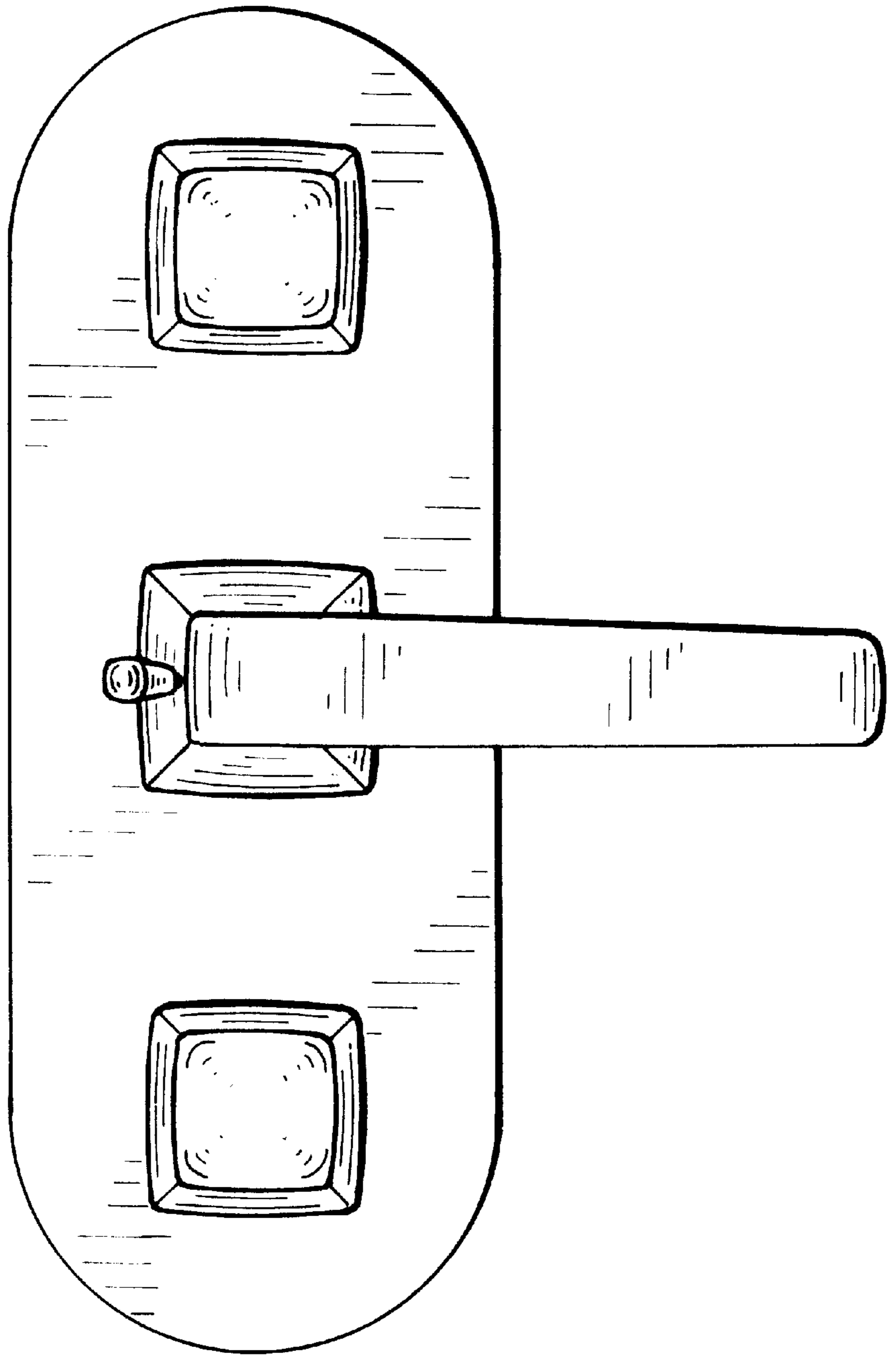


Fig. 5

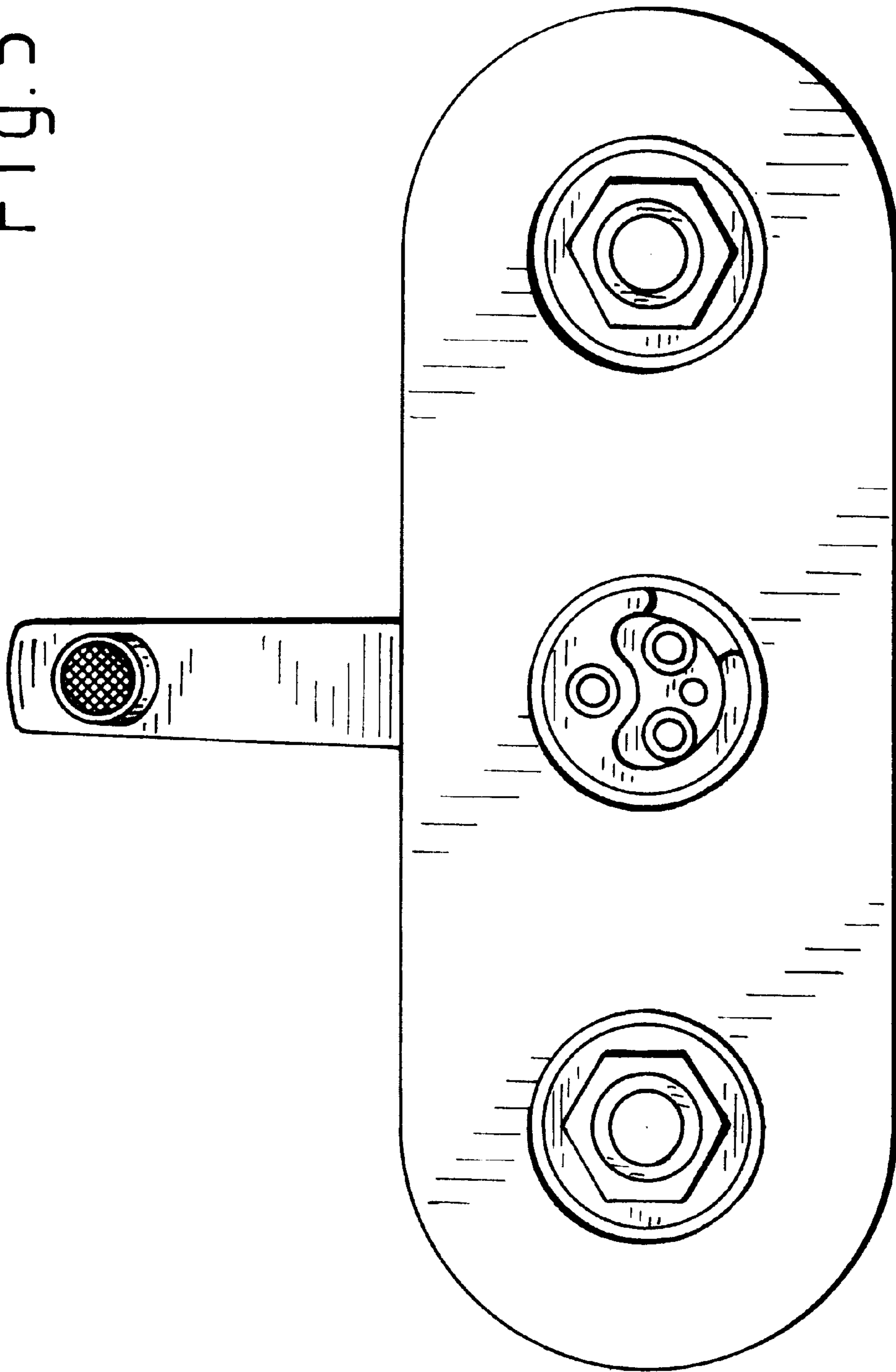


Fig. 6

