



US00D461529S

(12) **United States Design Patent**
Gottwald

(10) **Patent No.:** **US D461,529 S**

(45) **Date of Patent:** **** Aug. 13, 2002**

(54) **FAUCET**

(75) **Inventor:** **Adolf Gottwald, Iserlohn (DE)**

(73) **Assignee:** **Friedrich Grohe AG Co. KG, Hemer (DE)**

(**) **Term:** **14 Years**

(21) **Appl. No.:** **29/141,113**

(22) **Filed:** **Apr. 29, 2001**

(30) **Foreign Application Priority Data**

Nov. 24, 2000 (DE) 4 00 11 047

(51) **LOC (7) Cl.** **23-01**

(52) **U.S. Cl.** **D23/242; D23/241; D23/239; D23/238**

(58) **Field of Search** **D23/238-257; 4/675-678; 137/801**

(56) **References Cited**

U.S. PATENT DOCUMENTS

D64,298 S * 3/1924 Crane D23/241
D309,342 S * 7/1990 Nowlin et al. D23/239

D312,300 S * 11/1990 Joerger D23/241
D322,841 S * 12/1991 Kohler, Jr. et al. D23/255
D351,218 S * 10/1994 Sieger D23/241
D375,149 S * 10/1996 Robbins D23/257
D420,726 S * 2/2000 Slothower et al. D23/257

* cited by examiner

Primary Examiner—Louis S. Zarfaz

Assistant Examiner—Gregory Andoll

(74) *Attorney, Agent, or Firm*—Herbert Dubno

(57) **CLAIM**

The ornamental design for a faucet, as shown and described.

DESCRIPTION

FIG. 1 is a top, front, left-side perspective view of a faucet showing my new design;

FIG. 2 is a front elevational view thereof;

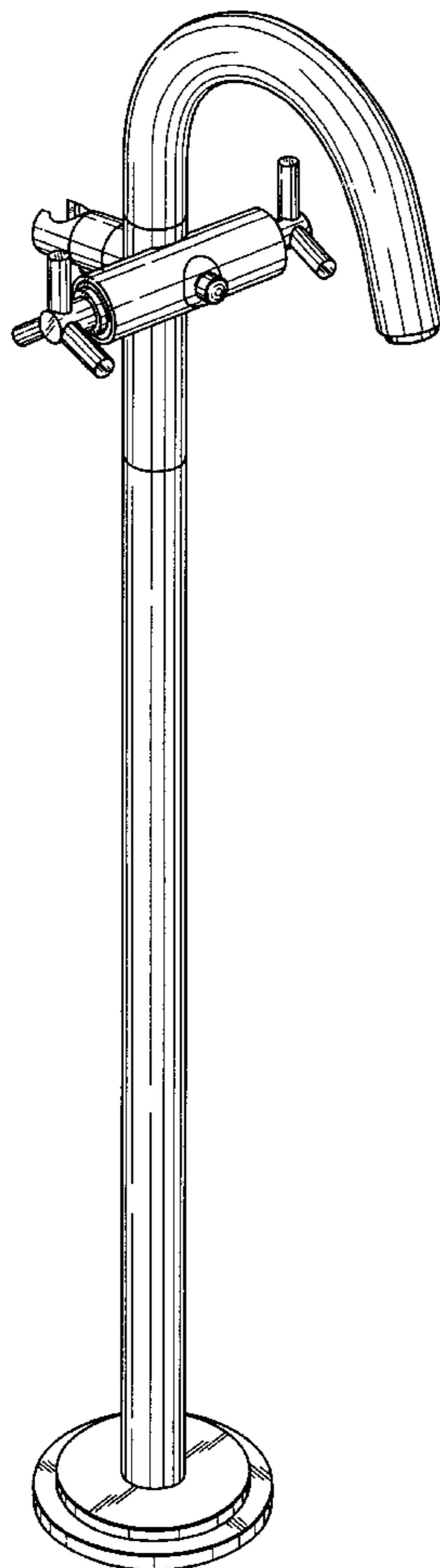
FIG. 3 is a rear elevational view thereof;

FIG. 4 is a left side elevational view thereof, the right side view being mirror symmetrical thereto;

FIG. 5 is a top plan view thereof; and,

FIG. 6 is a bottom plan view thereof.

1 Claim, 3 Drawing Sheets



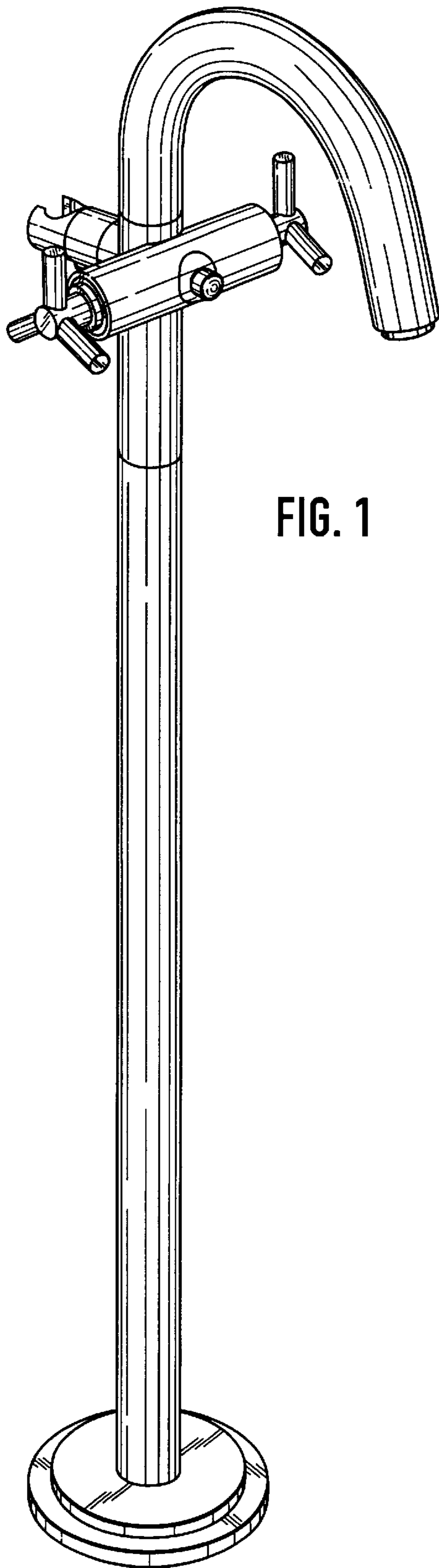
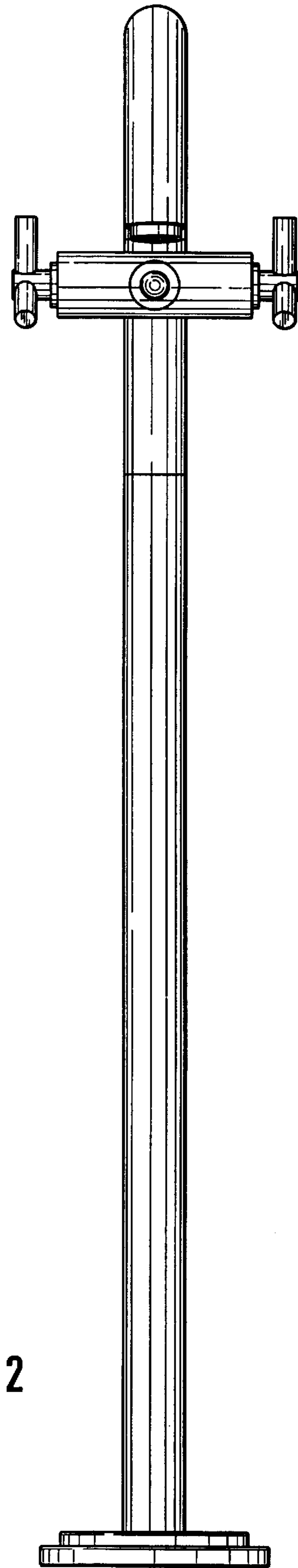


FIG. 2



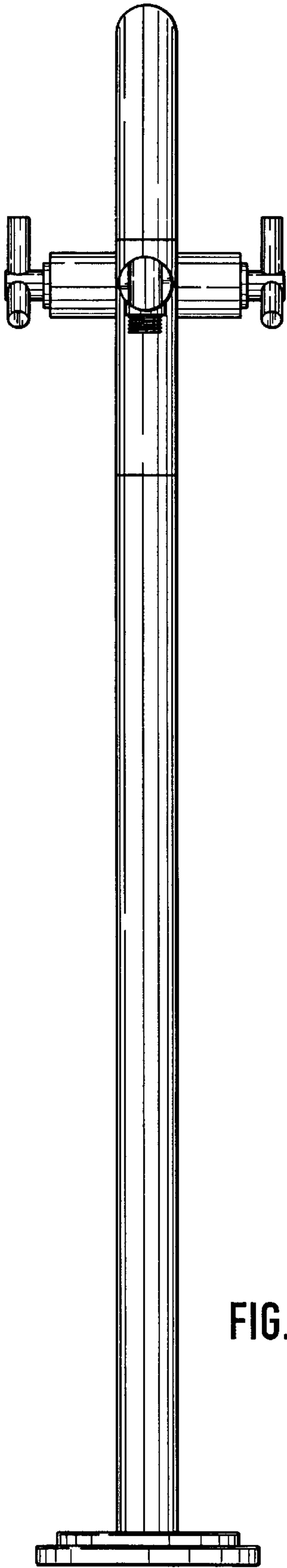


FIG. 3

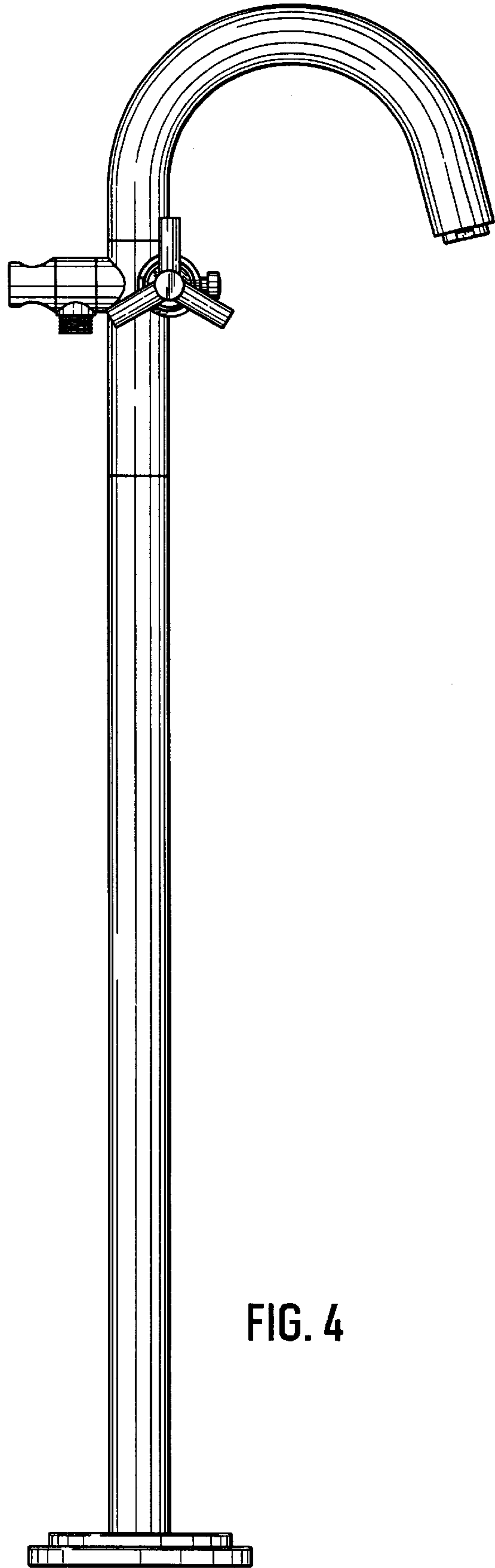


FIG. 4

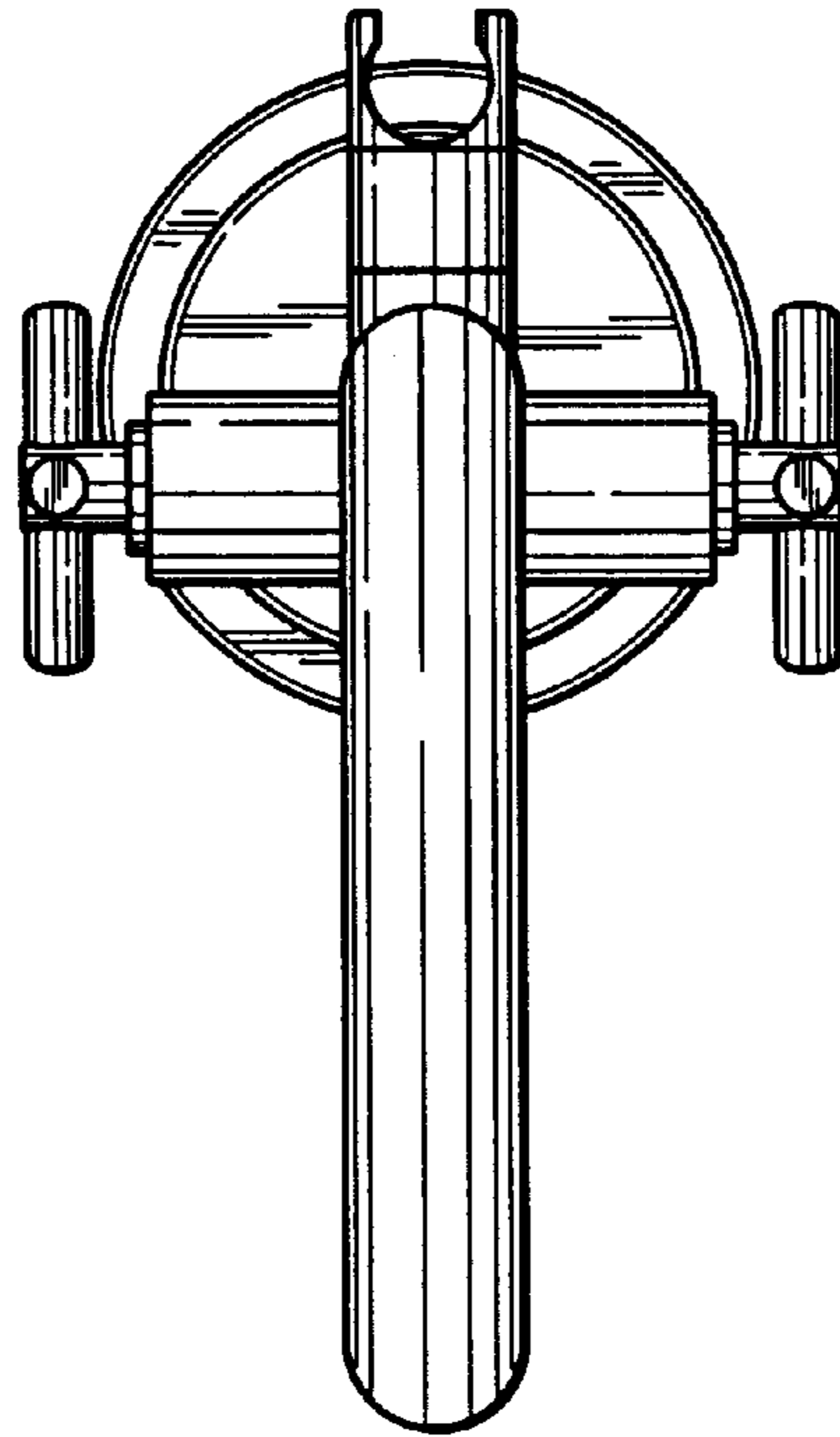


FIG. 5

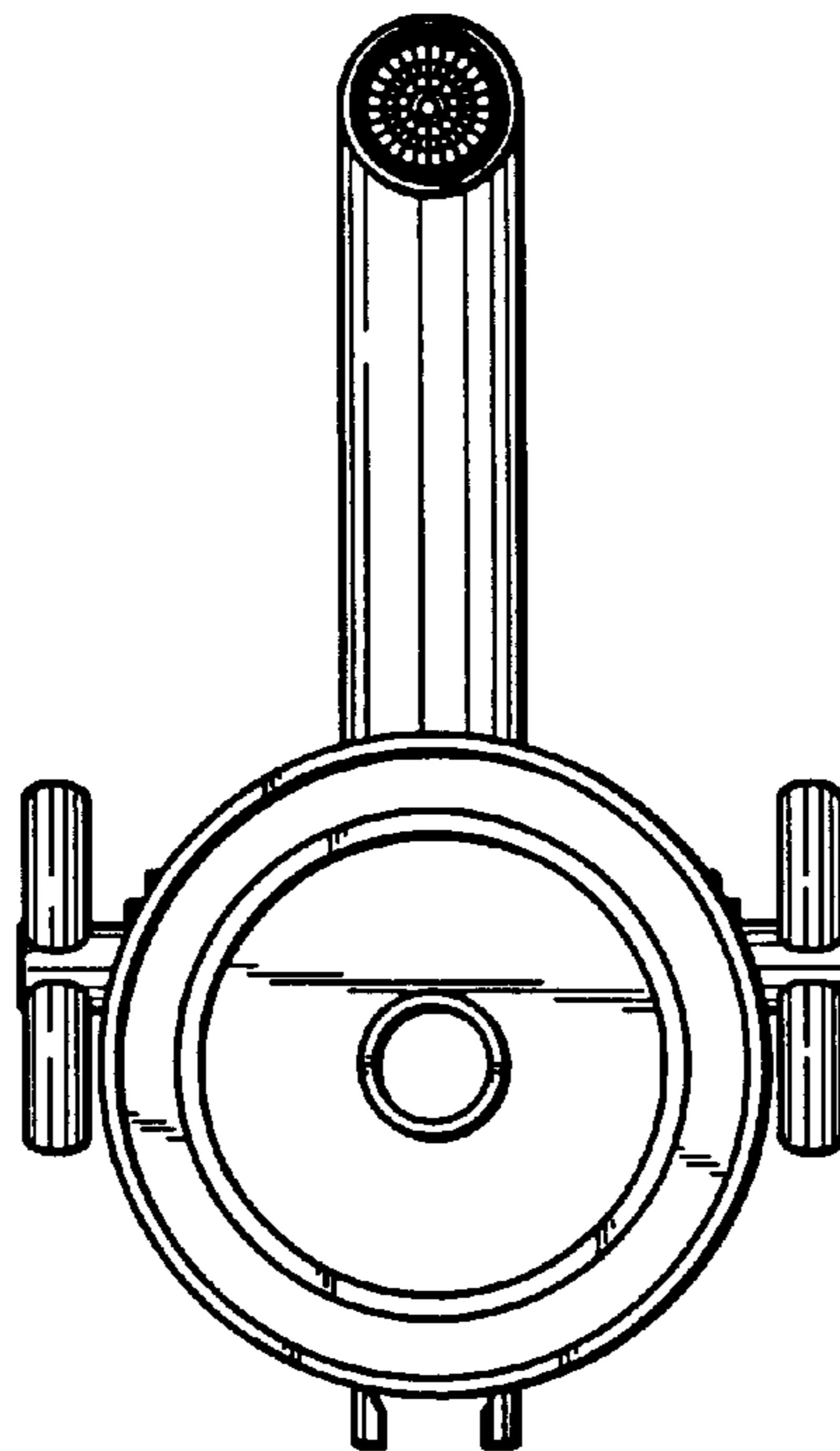


FIG. 6