



US00D461527S

(12) **United States Design Patent**  
**Ko**

(10) **Patent No.:** **US D461,527 S**

(45) **Date of Patent:** **\*\* Aug. 13, 2002**

(54) **DUAL-HANDLED FAUCET**

D429,316 S \* 8/2000 McKeone ..... D23/238

(75) Inventor: **Hsi-Chia Ko**, Changhua Hsien (TW)

\* cited by examiner

(73) Assignee: **Chung Cheng Faucet Co., Ltd.** (TW)

*Primary Examiner*—Louis S. Zarfes

*Assistant Examiner*—Gregory Andoll

(\*\*) Term: **14 Years**

(74) *Attorney, Agent, or Firm*—Troxell Law Office PLLC

(21) Appl. No.: **29/136,697**

(57) **CLAIM**

(22) Filed: **Feb. 7, 2001**

The ornamental design for a dual-handled faucet, as shown and described.

(51) **LOC (7) Cl.** ..... **23-01**

**DESCRIPTION**

(52) **U.S. Cl.** ..... **D23/241; D23/242**

(58) **Field of Search** ..... D23/238–257;  
4/675–678; 16/110 R–121; 137/801

FIG. 1 is a perspective view of a dual-handled faucet showing my new design;

FIG. 2 is a front view thereof;

FIG. 3 is a rear view thereof;

FIG. 4 is a left side view thereof, the right side view being a mirror image;

FIG. 5 is a top view thereof; and,

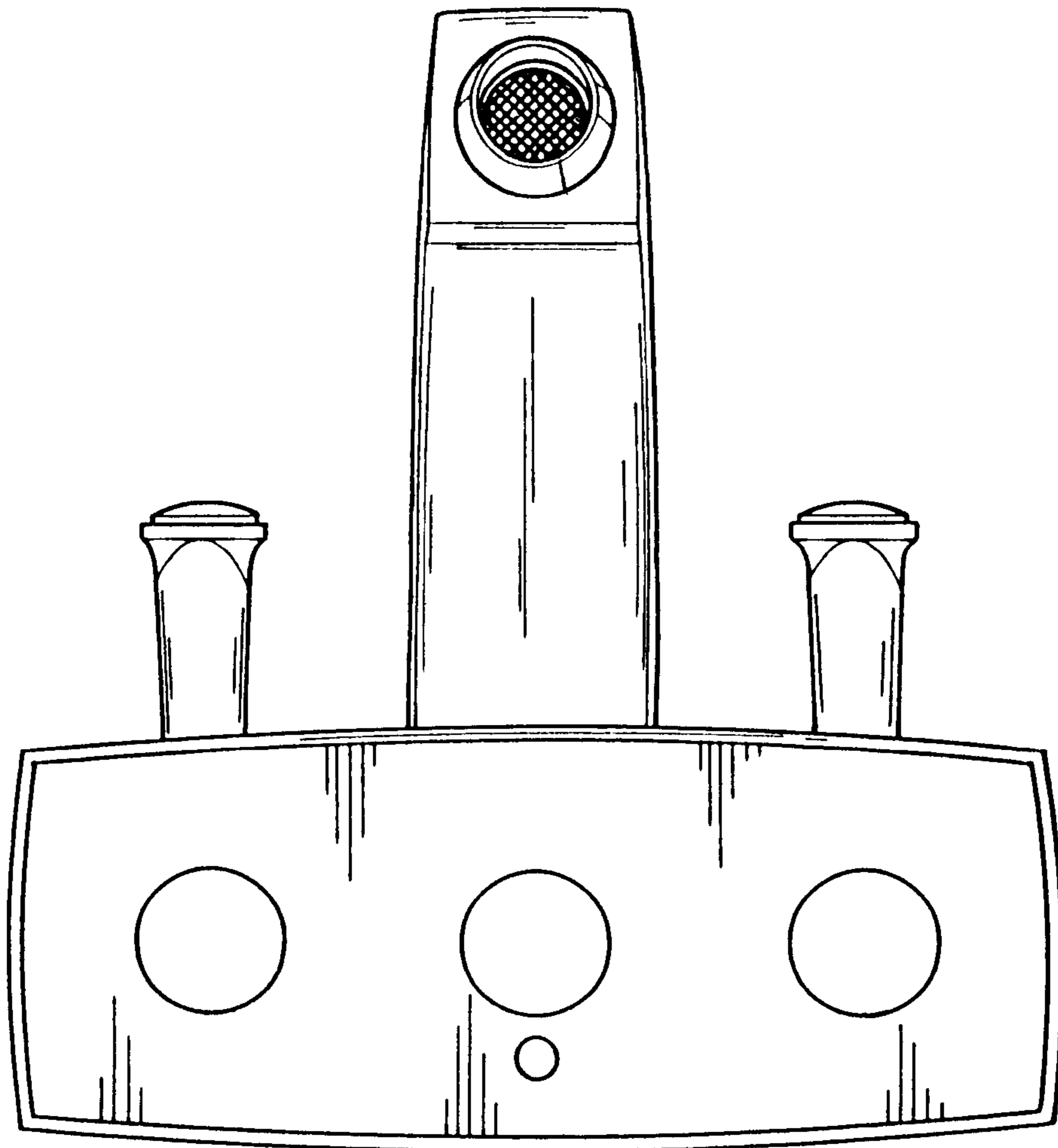
FIG. 6 is a bottom view thereof.

(56) **References Cited**

**U.S. PATENT DOCUMENTS**

- D96,839 S \* 9/1935 Johnston ..... D23/240
- D369,651 S \* 5/1996 Saadi et al. .... D23/255
- D417,262 S \* 11/1999 Caplow ..... D23/255

**1 Claim, 3 Drawing Sheets**



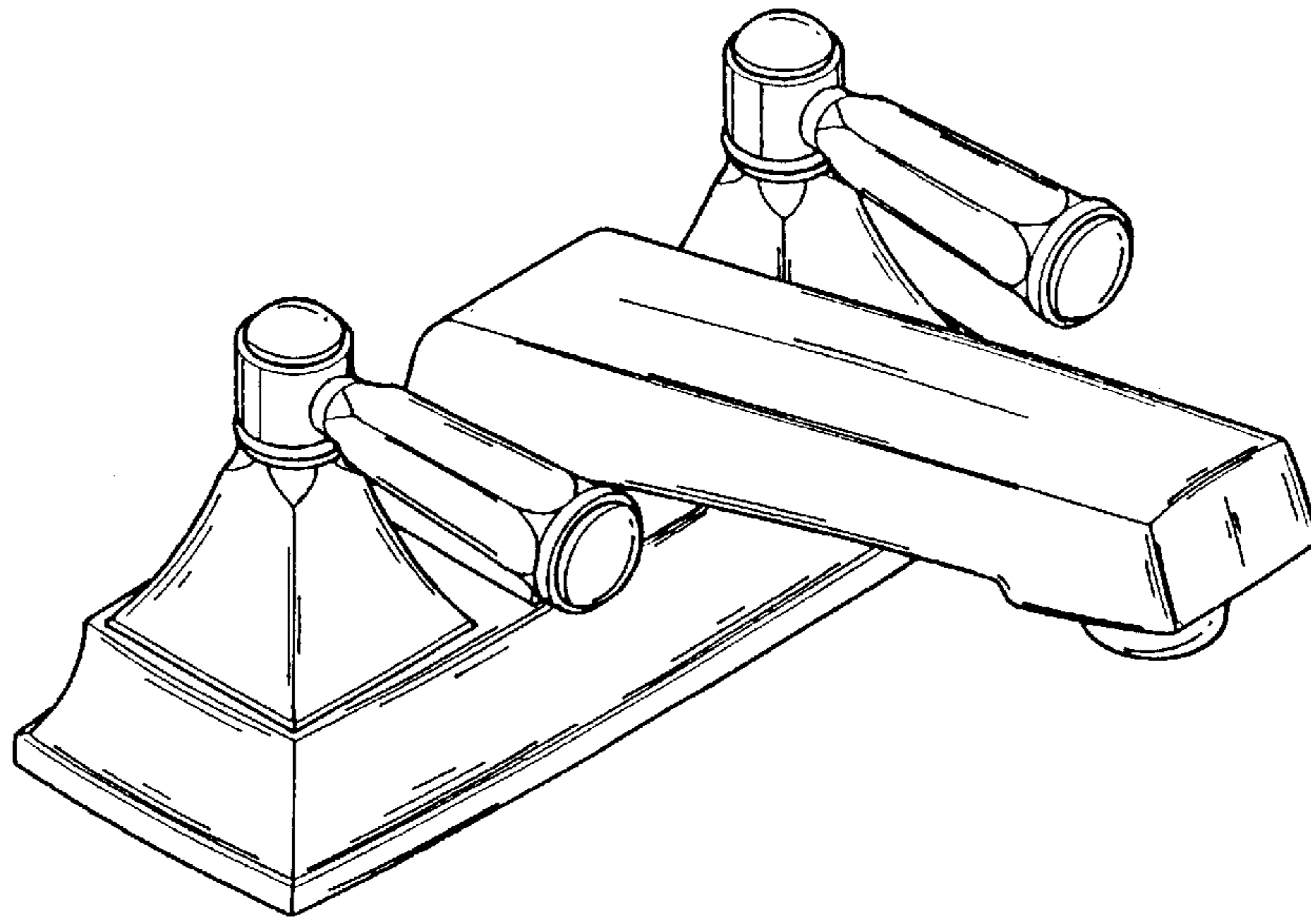


FIG. 1

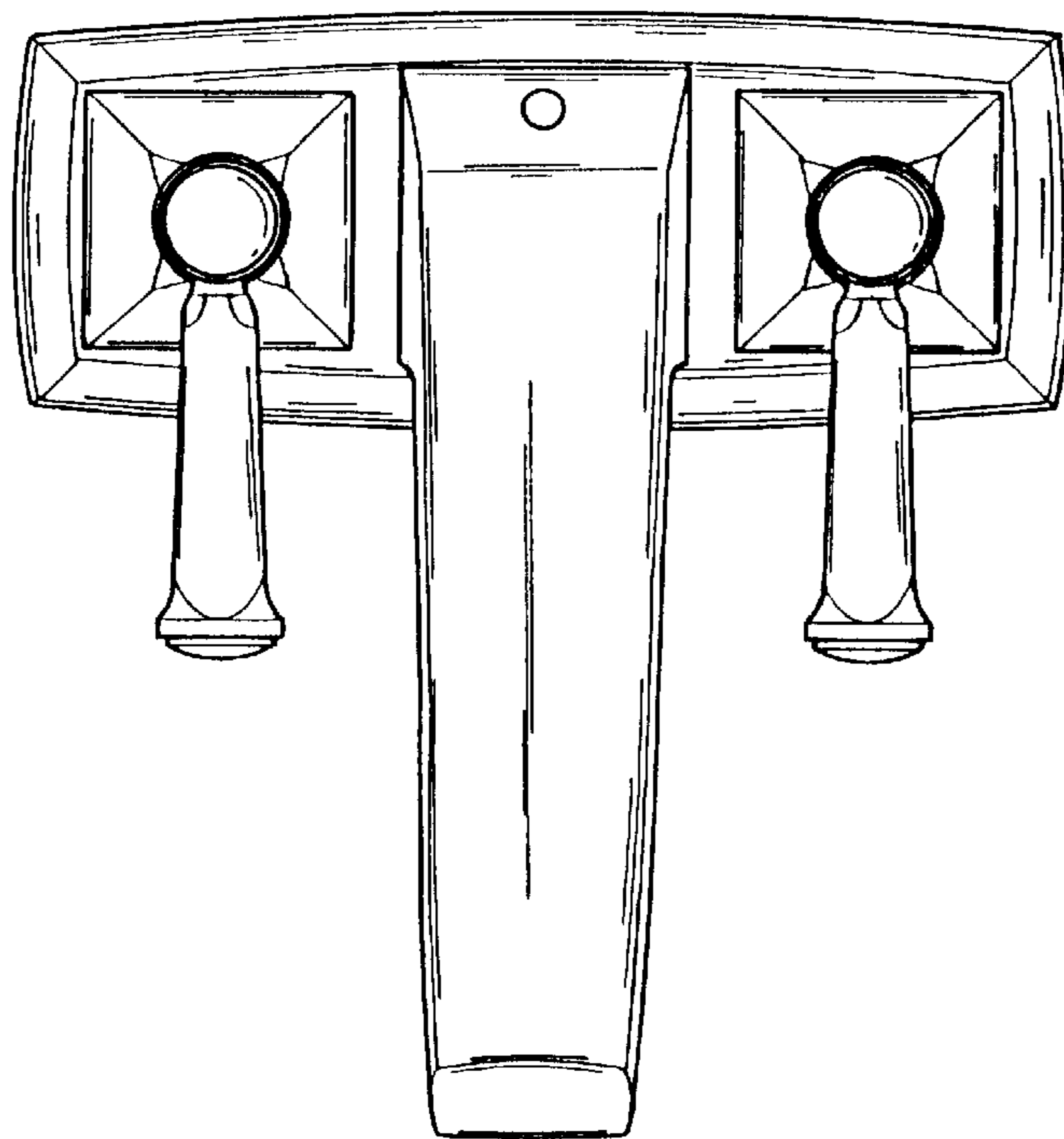


FIG. 5

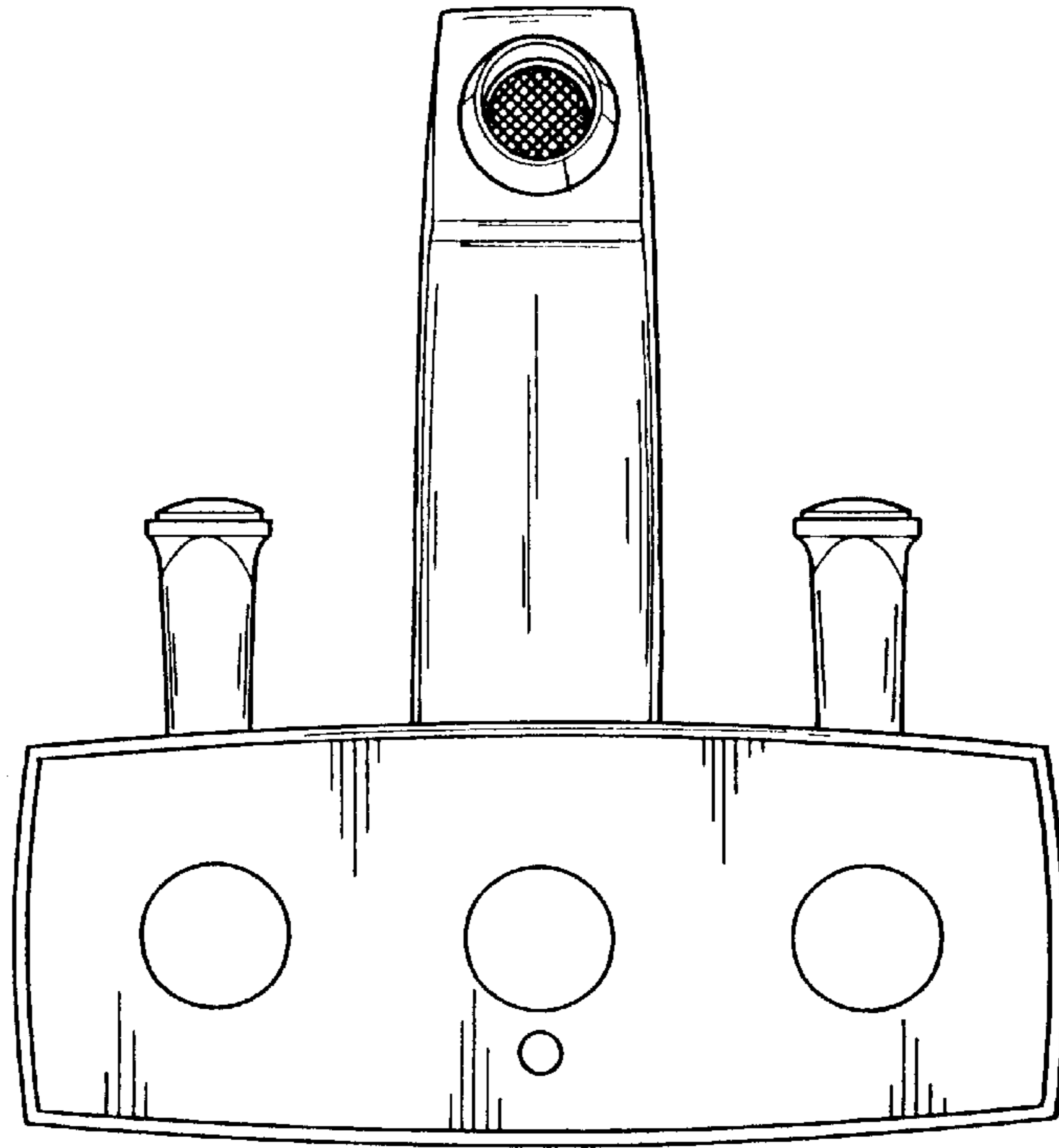


FIG. 6

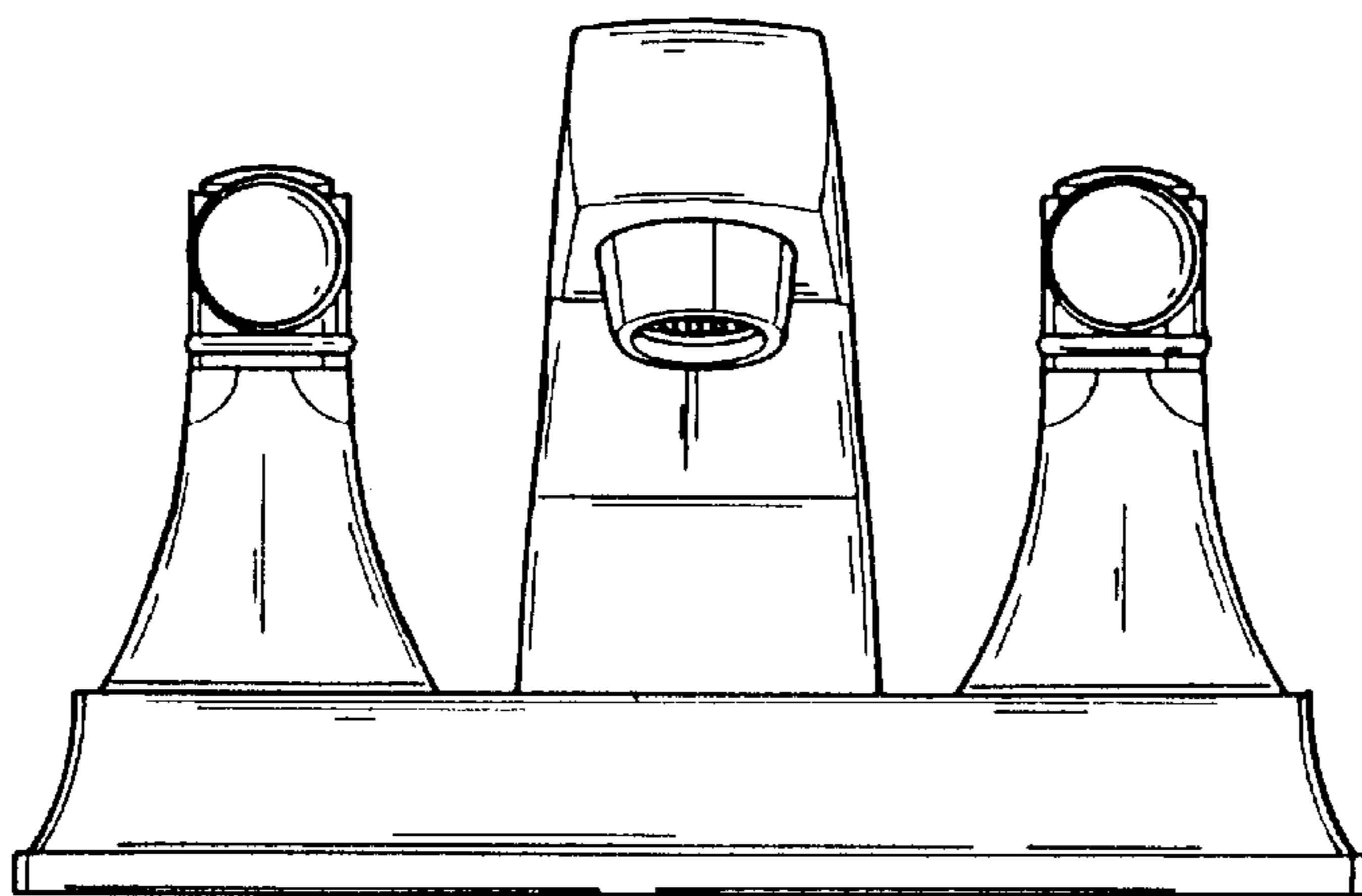


FIG. 2

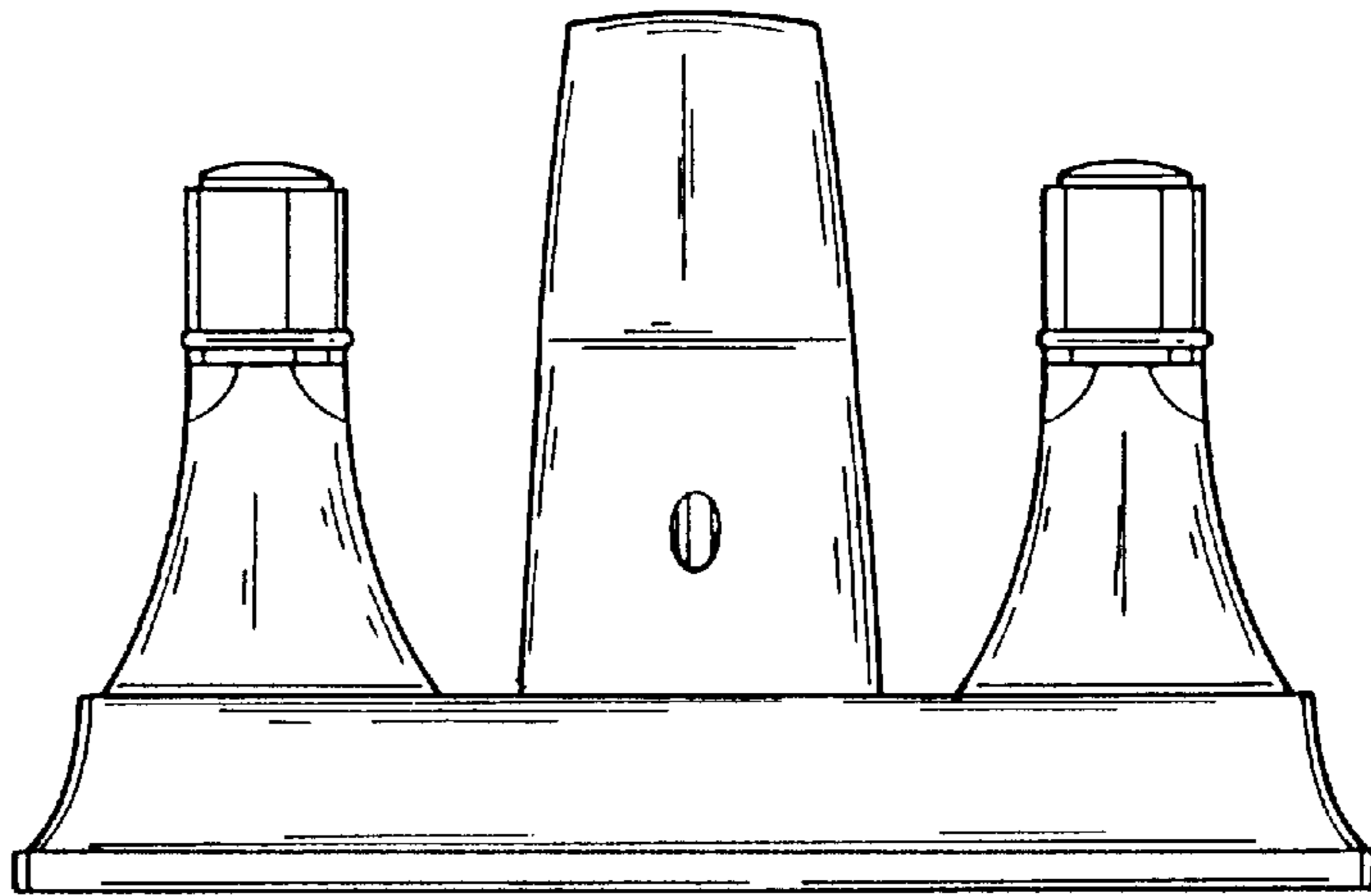


FIG. 3

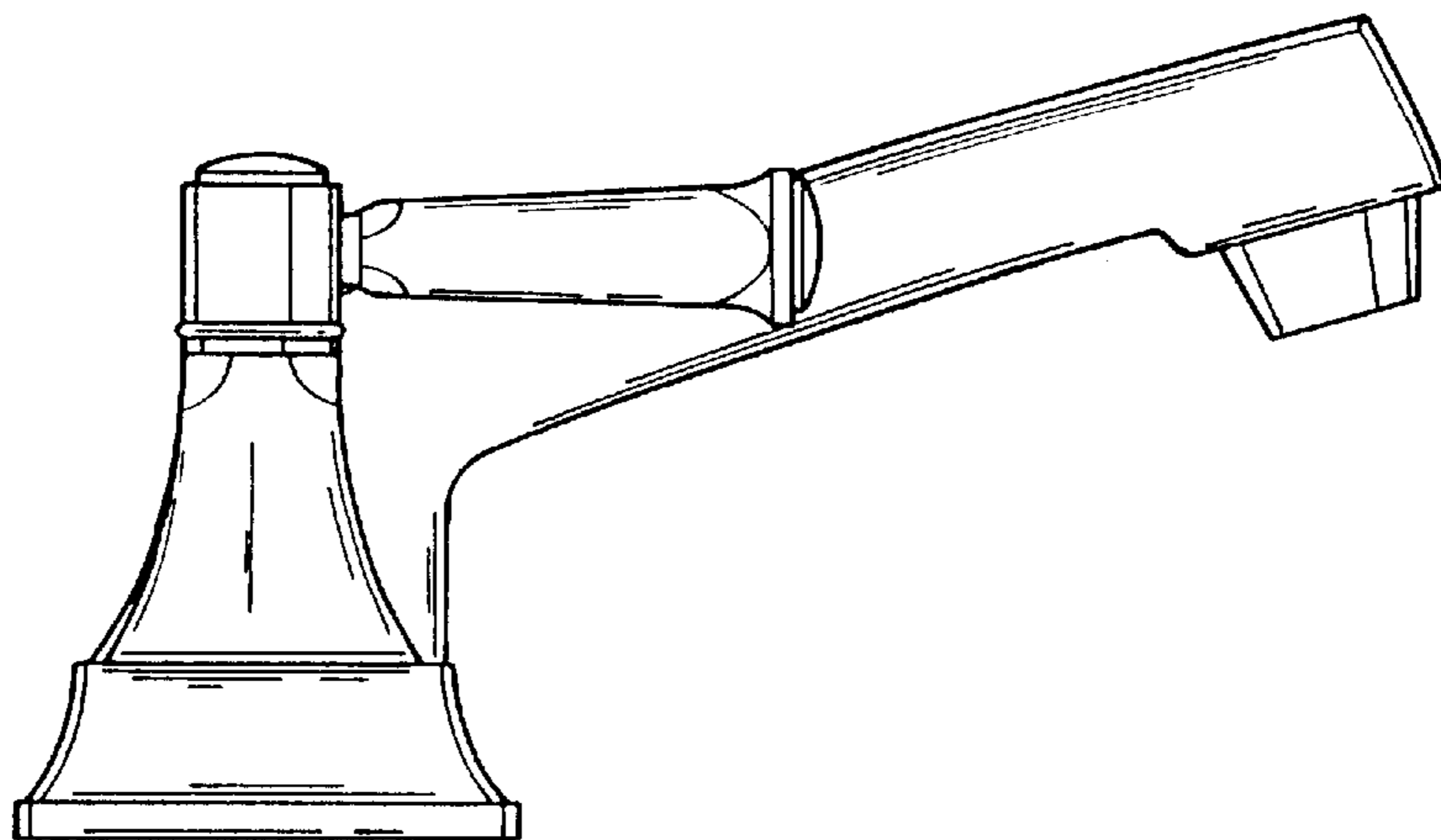


FIG. 4