



US00D461526S

(12) **United States Design Patent**  
**Chang**

(10) **Patent No.:** **US D461,526 S**

(45) **Date of Patent:** **\*\* Aug. 13, 2002**

(54) **FAUCET**

(75) **Inventor:** **Cheng-Lang Chang**, Taichung (TW)

(73) **Assignee:** **Jing Yudh Industrial Co., Ltd.** (TW)

(\*\*) **Term:** **14 Years**

(21) **Appl. No.:** **29/146,489**

(22) **Filed:** **Aug. 13, 2001**

(51) **LOC (7) Cl.** ..... **23-01**

(52) **U.S. Cl.** ..... **D23/238**

(58) **Field of Search** ..... D23/238-257;  
4/675-678; 16/110 R-121; D8/300-308

(56) **References Cited**

**U.S. PATENT DOCUMENTS**

D323,877 S	*	2/1992	Huag et al.	.....	D23/238
D380,810 S	*	7/1997	Doughty et al.	.....	D23/242
D441,428 S	*	5/2001	Donell	.....	D23/238
D441,838 S	*	5/2001	Haas	.....	D23/238

\* cited by examiner

*Primary Examiner*—Louis S. Zarfaz

*Assistant Examiner*—Gregory Andoll

(74) *Attorney, Agent, or Firm*—Troxell Law Office PLLC

(57) **CLAIM**

The ornamental design for the faucet, as shown and described.

**DESCRIPTION**

FIG. 1 is a perspective view of a faucet showing my new design;

FIG. 2 is a front view thereof;

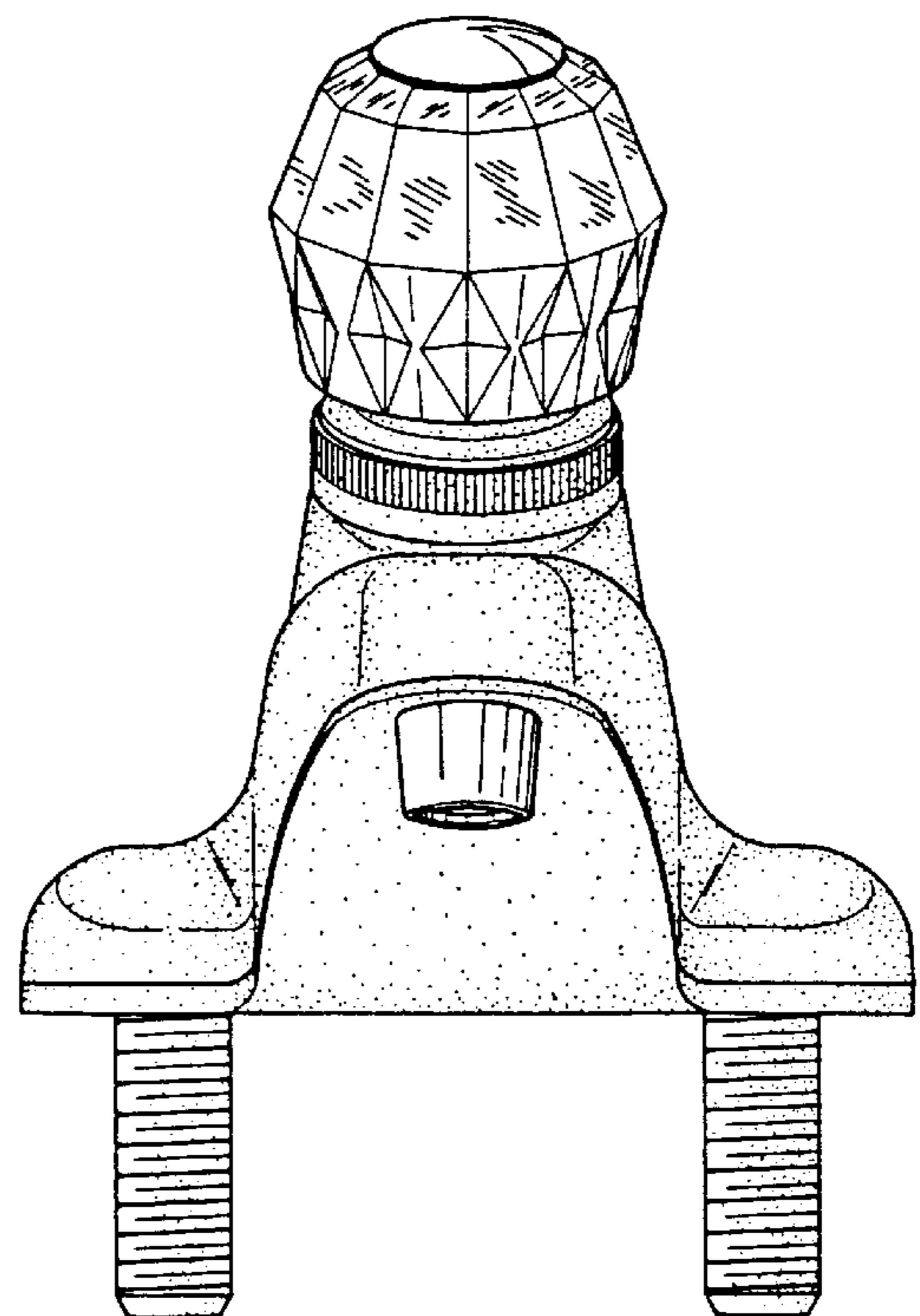
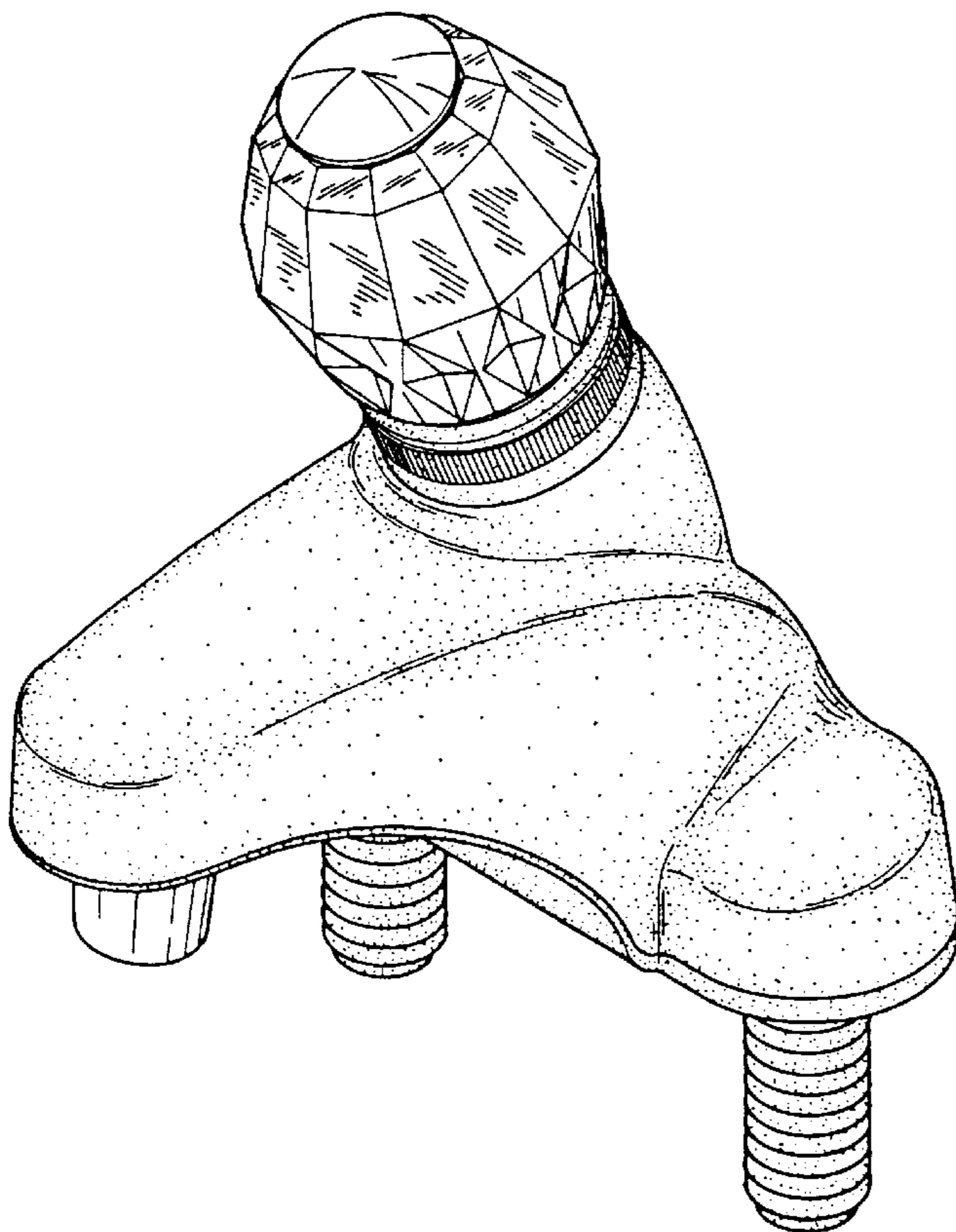
FIG. 3 is a rear view thereof;

FIG. 4 is a right side view thereof, the left side view being a mirror image thereof;

FIG. 5 is a top view thereof; and,

FIG. 6 is a bottom view thereof.

**1 Claim, 3 Drawing Sheets**



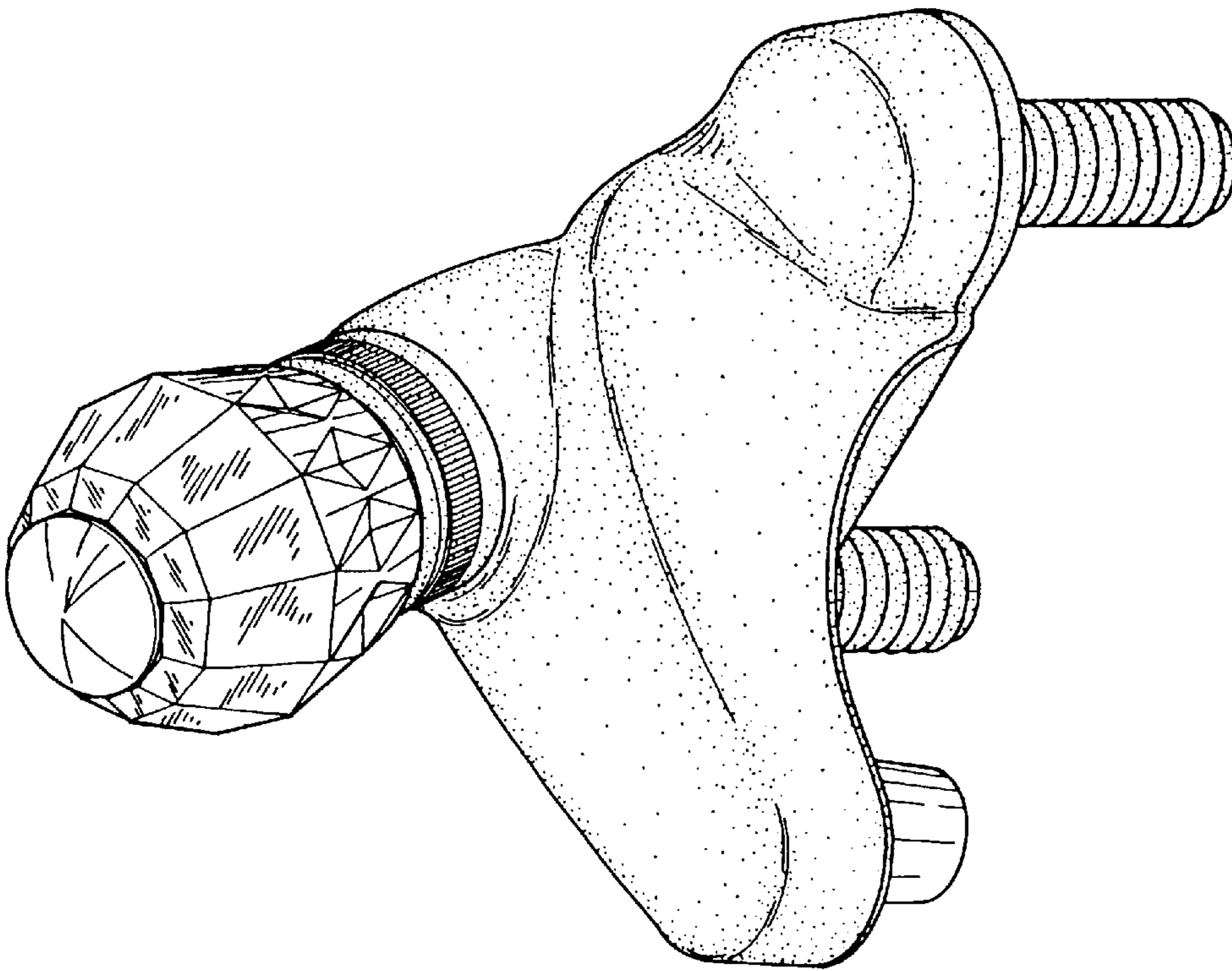


FIG. 1

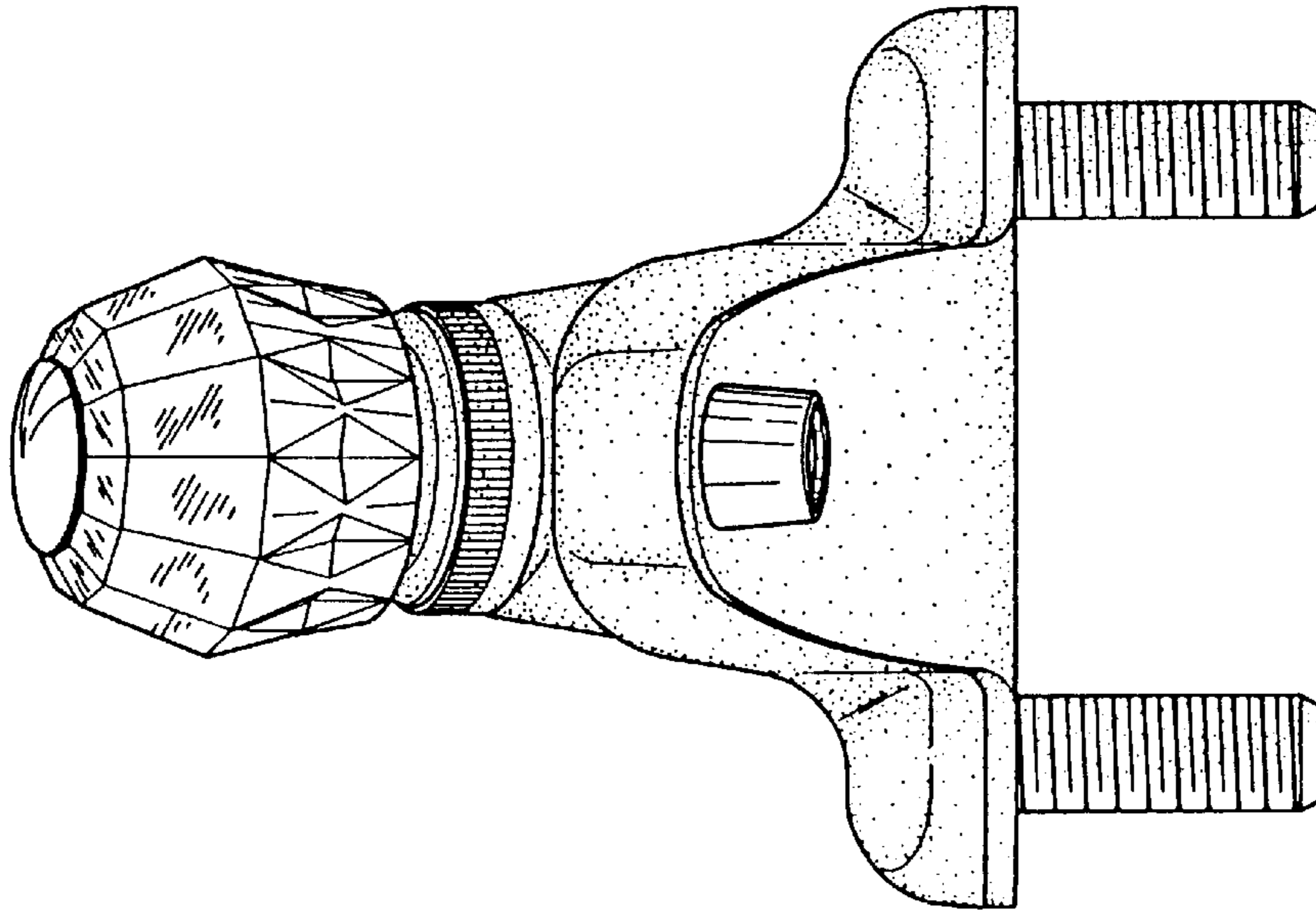


FIG. 2

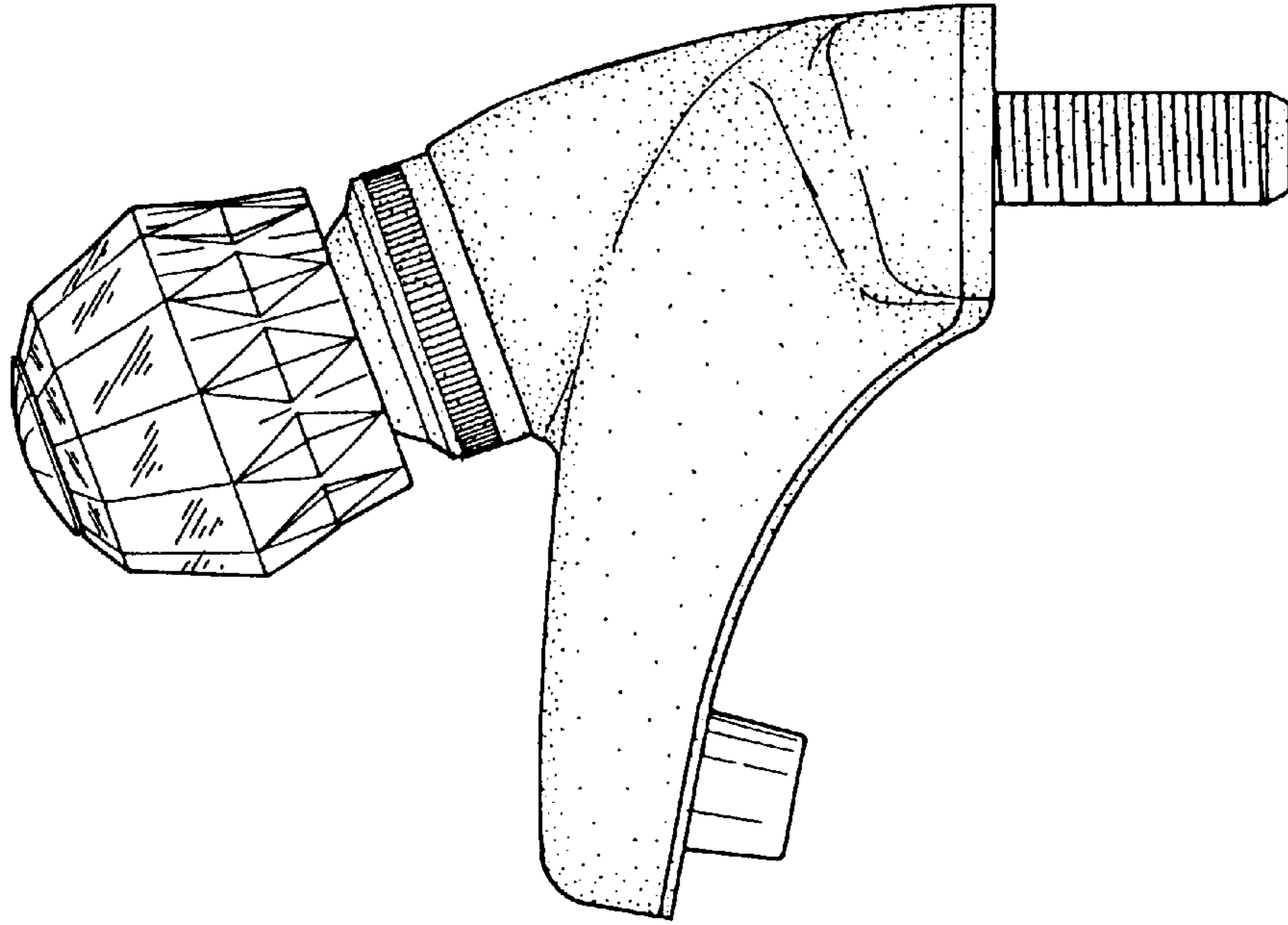


FIG. 3

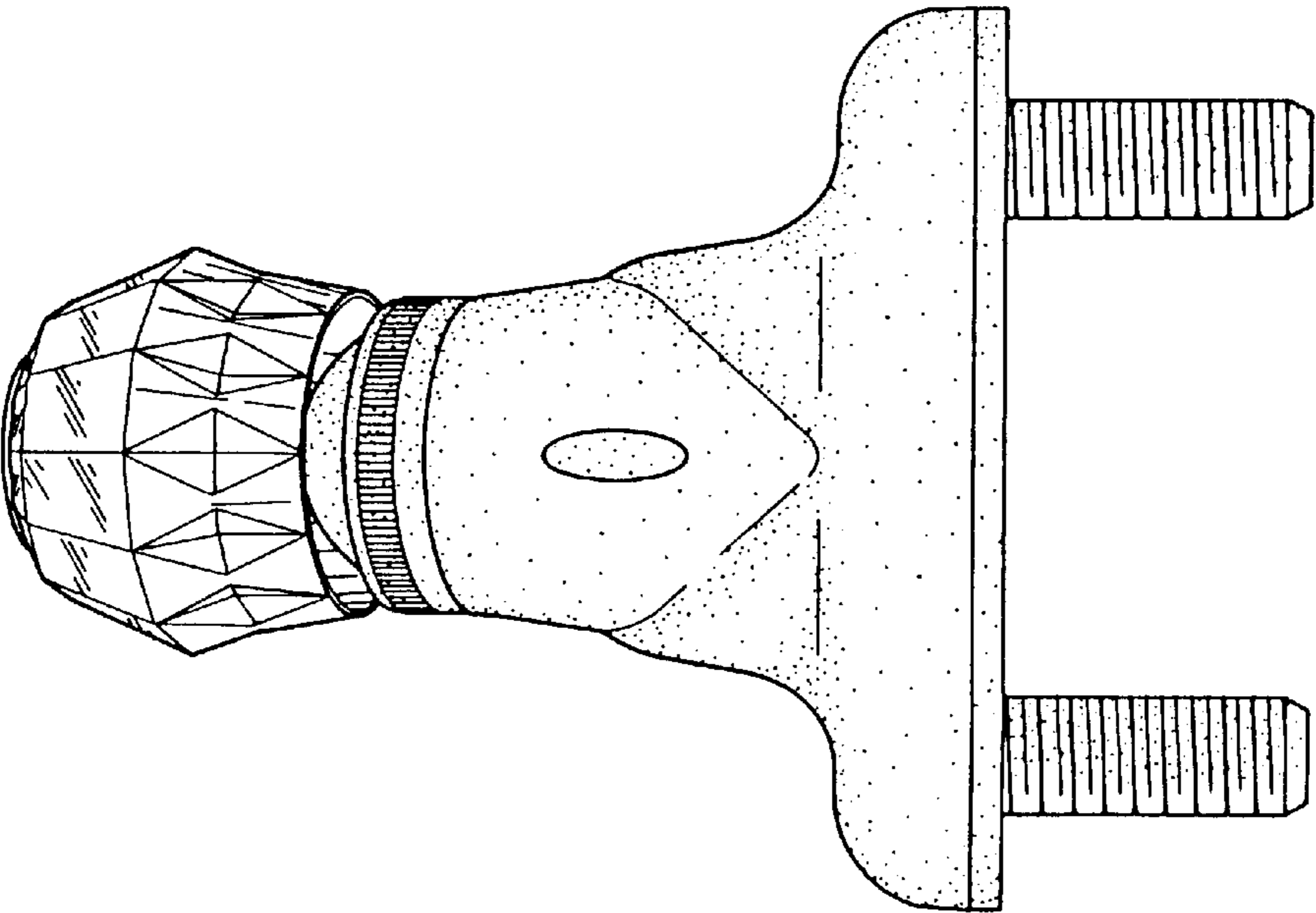


FIG. 4

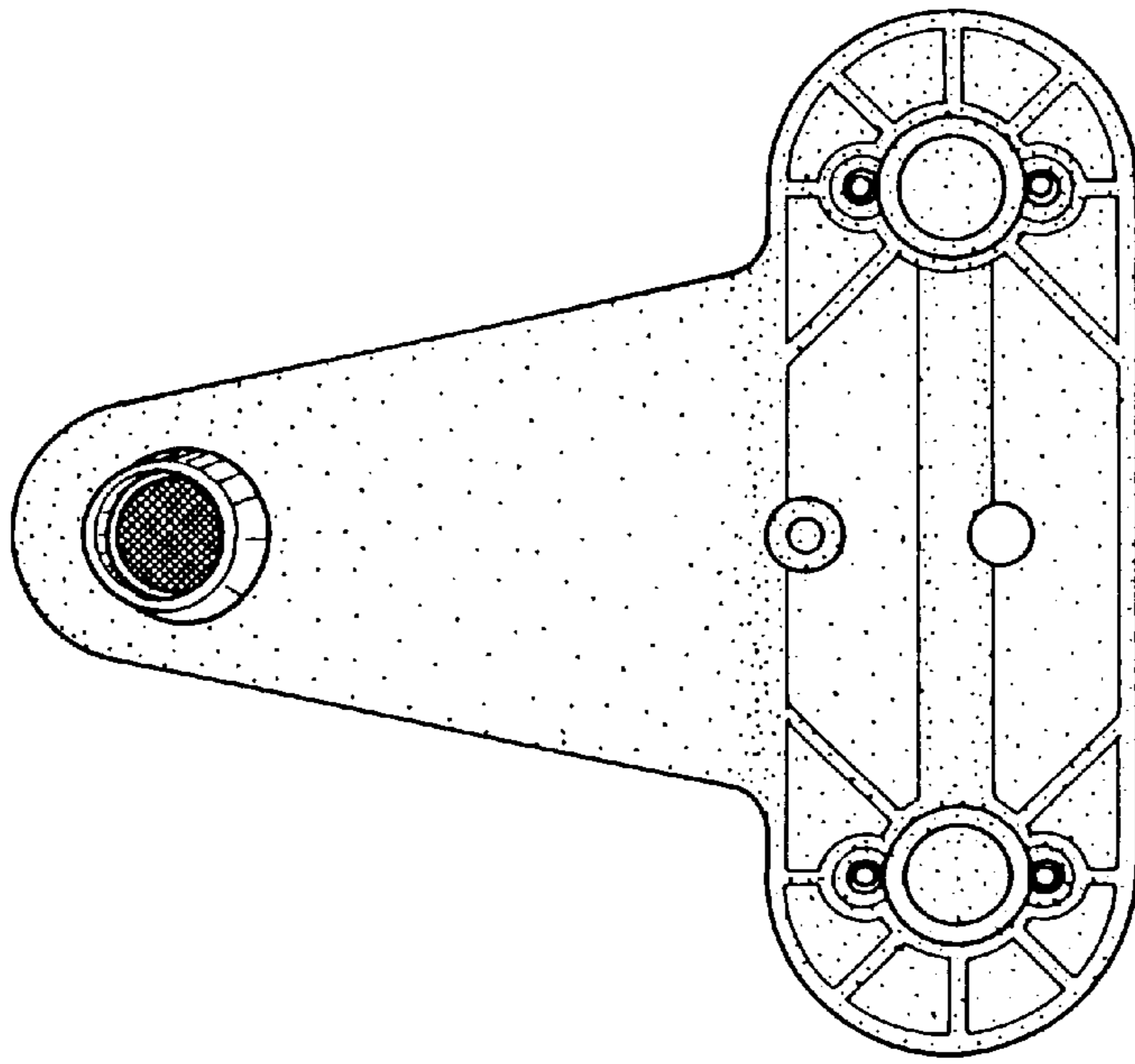


FIG. 5

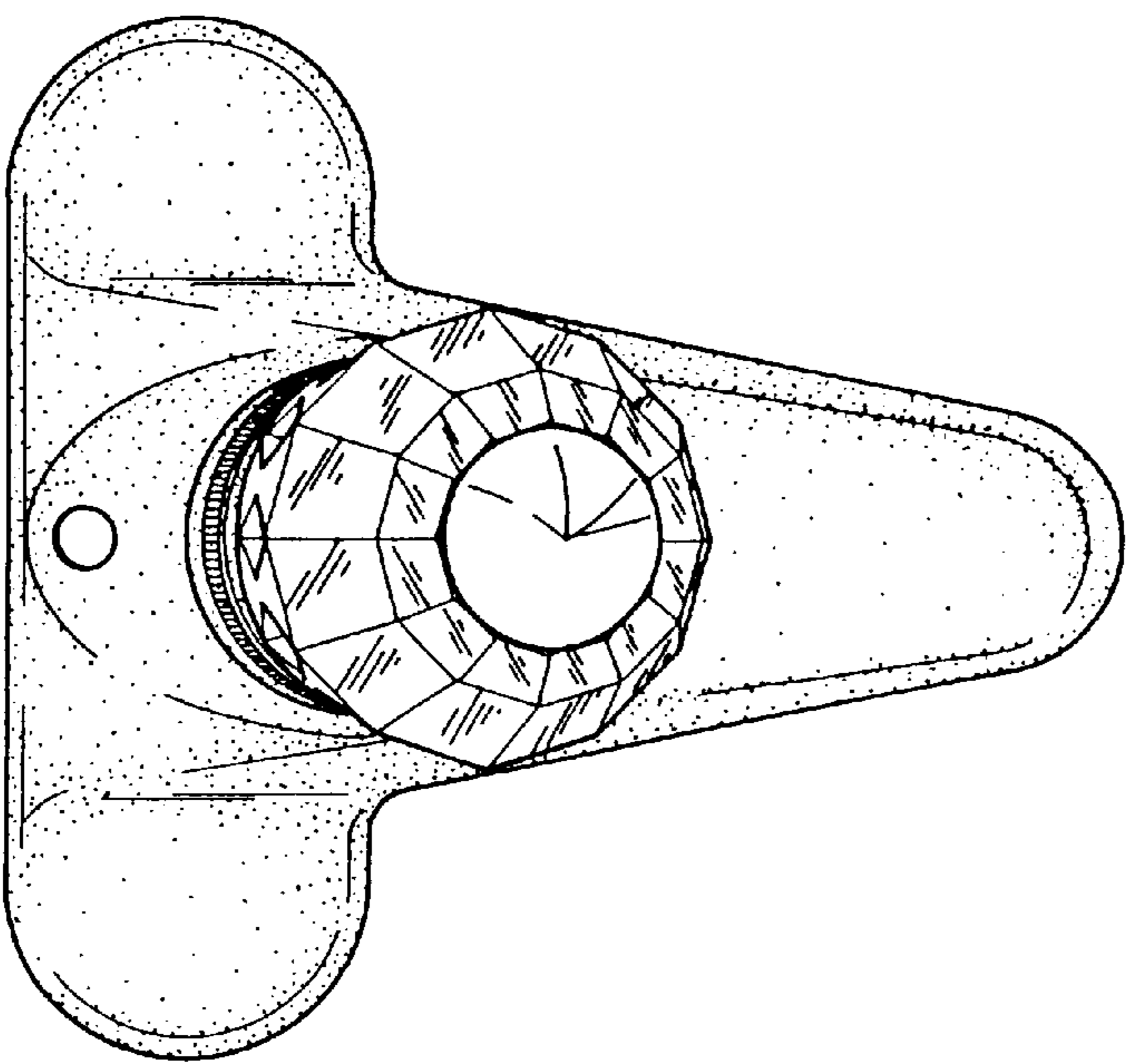


FIG. 6