



US00D461525S

(12) **United States Design Patent**
Lai

(10) **Patent No.:** **US D461,525 S**

(45) **Date of Patent:** **** Aug. 13, 2002**

(54) **SHOWER HEAD**

(75) **Inventor:** **Johnson Lai**, Taichung Export Processing Zone (TW)

(73) **Assignee:** **Globe Union Industrial Corp.**, Taichung Export Processing Zone (TW)

(**) **Term:** **14 Years**

(21) **Appl. No.:** **29/145,284**

(22) **Filed:** **Jul. 19, 2001**

(51) **LOC (7) Cl.** **23-01**

(52) **U.S. Cl.** **D23/229**

(58) **Field of Search** D23/213, 223, D23/229-230; 239/460, 461, 414

(56) **References Cited**

U.S. PATENT DOCUMENTS

- 2,285,831 A * 6/1942 Pennypacker 239/460
- 3,030,033 A * 4/1962 Rosenkranz 239/460
- 4,394,969 A * 7/1983 Jette 239/414

- D443,026 S * 5/2001 Kollmann et al. D23/229
- D450,370 S * 11/2001 Wales et al. D23/213
- D452,897 S * 1/2002 Gillette et al. D23/223

* cited by examiner

Primary Examiner—Robin V. Taylor

(74) *Attorney, Agent, or Firm*—Akin, Gump, Strauss, Hauer & Feld, L.L.P.

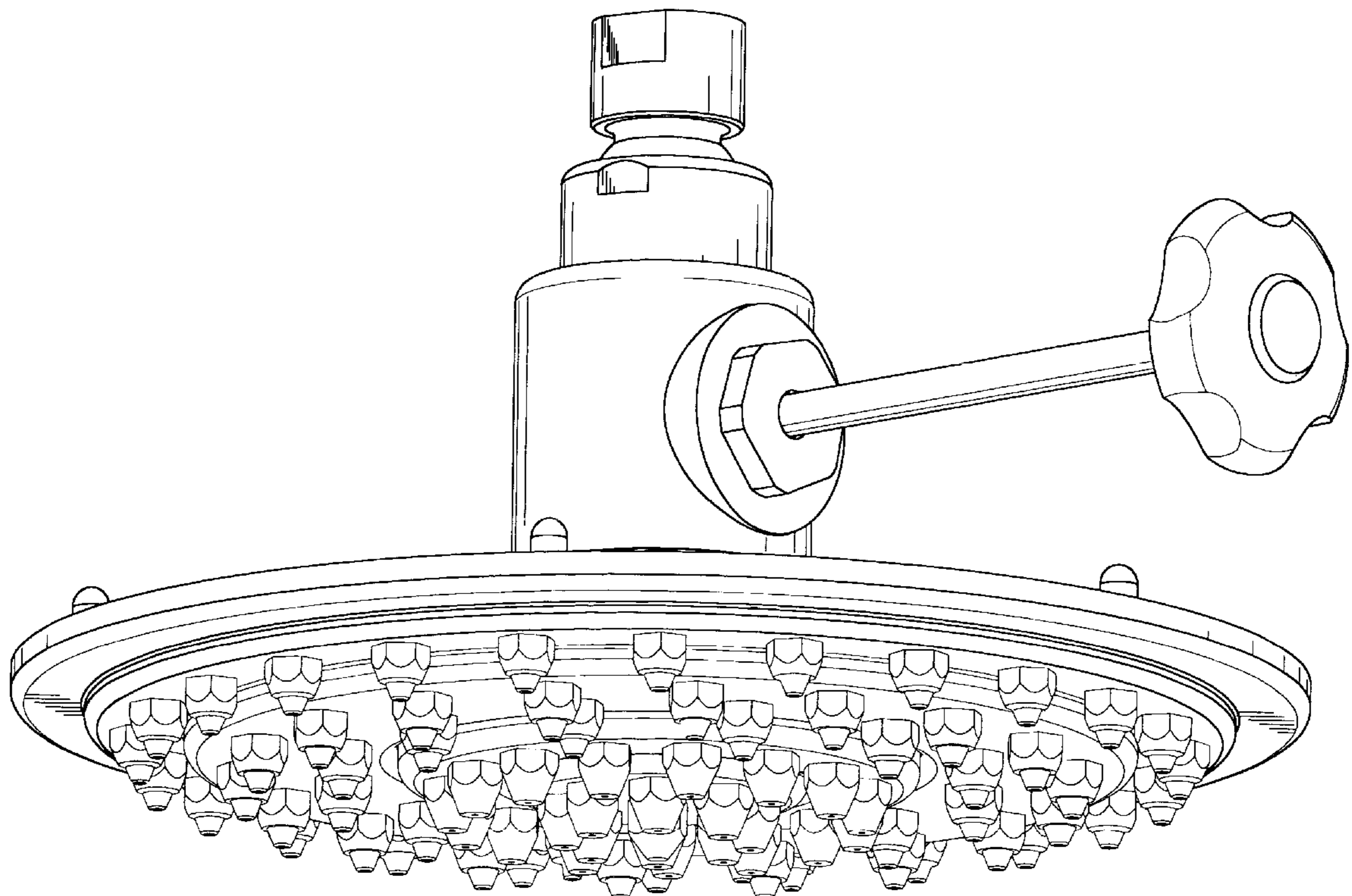
(57) **CLAIM**

The ornamental design for shower head, as shown and described.

DESCRIPTION

FIG. 1 is a enlarged perspective view of shower head showing my new design;
 FIG. 2 is a front elevational view thereof;
 FIG. 3 is a rear elevational view thereof;
 FIG. 4 is a left side elevational view thereof;
 FIG. 5 is a right side elevational view thereof;
 FIG. 6 is a top plan view thereof; and,
 FIG. 7 is a bottom plan view thereof.

1 Claim, 7 Drawing Sheets



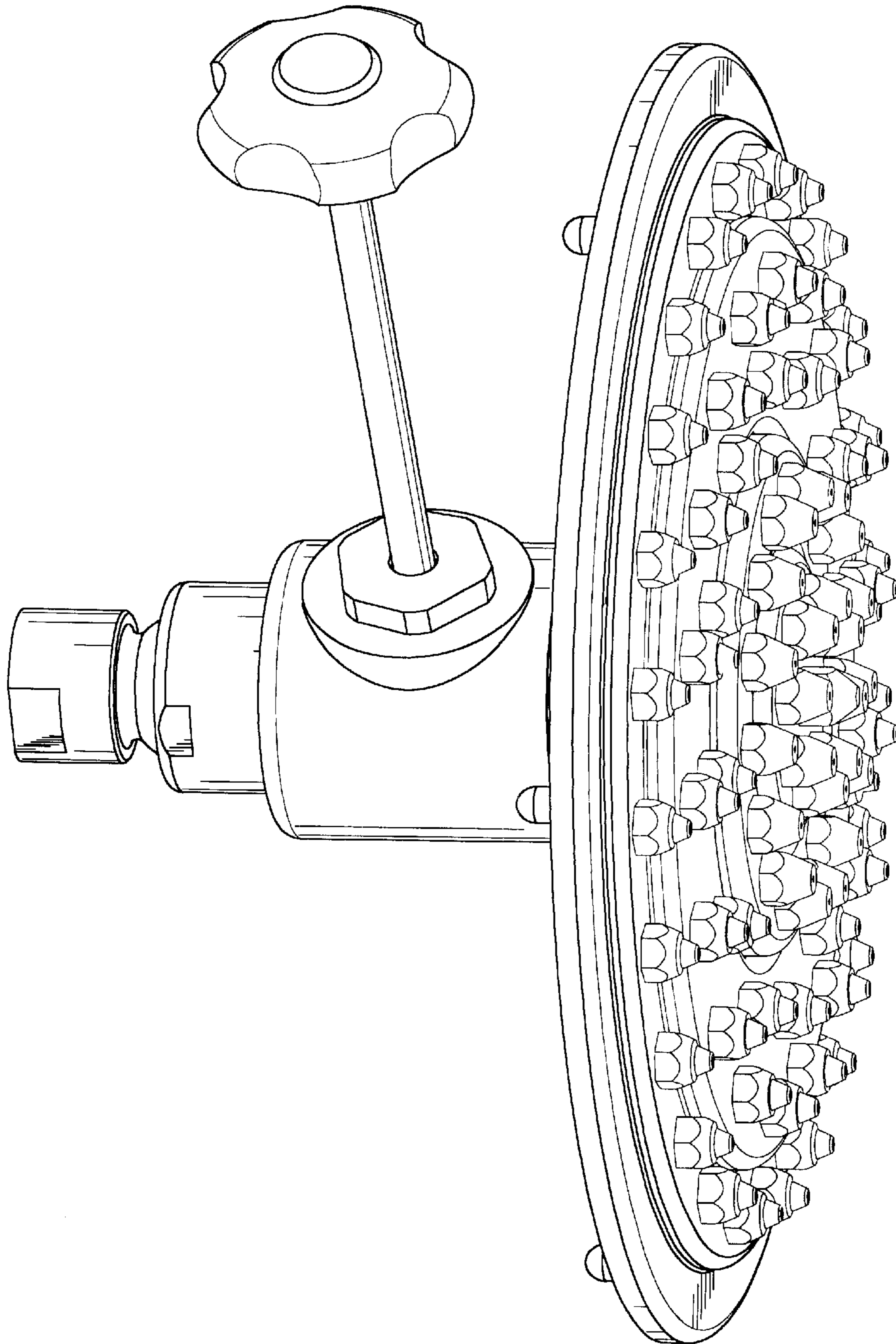


FIG. 1

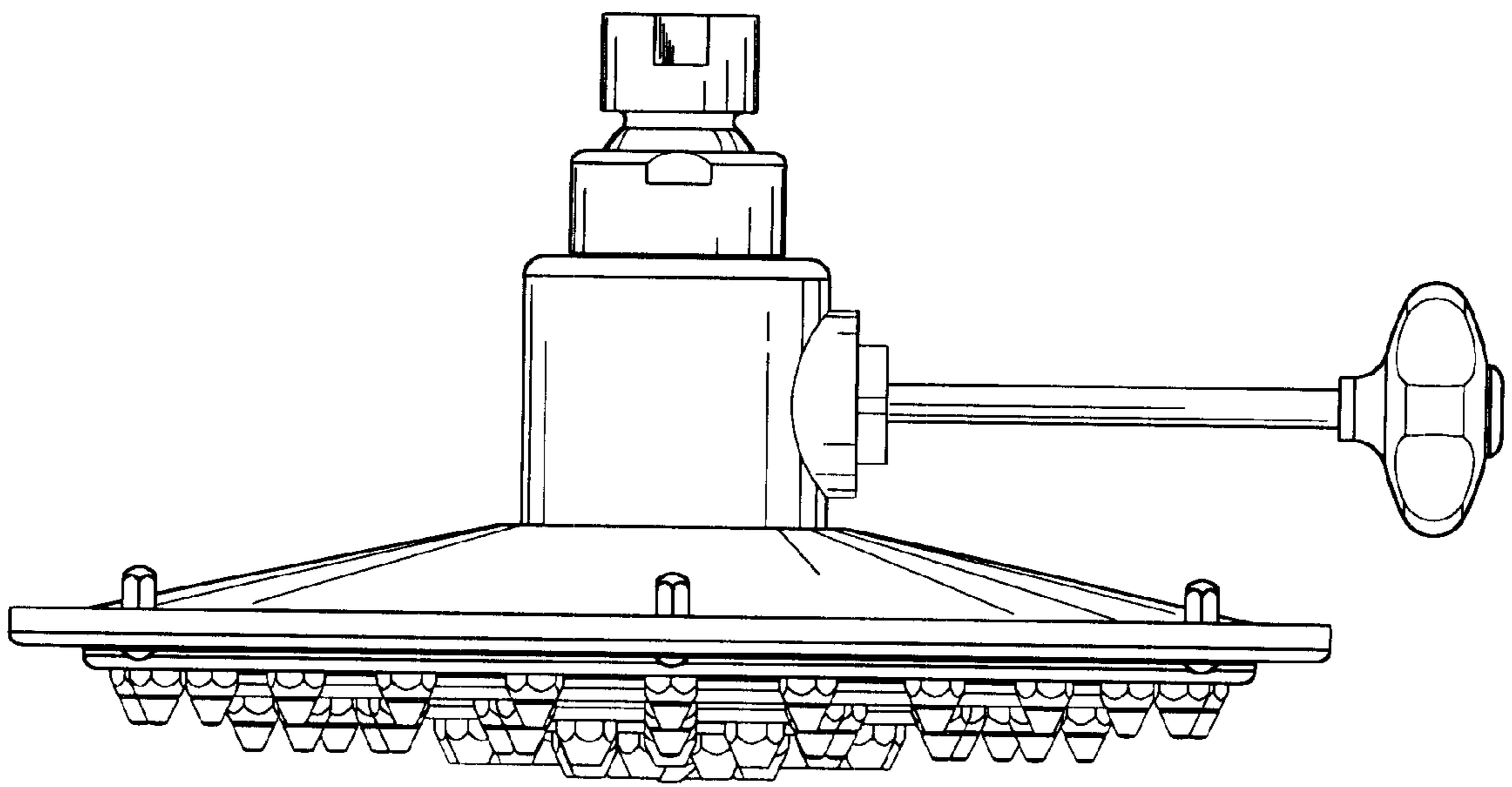


FIG. 2

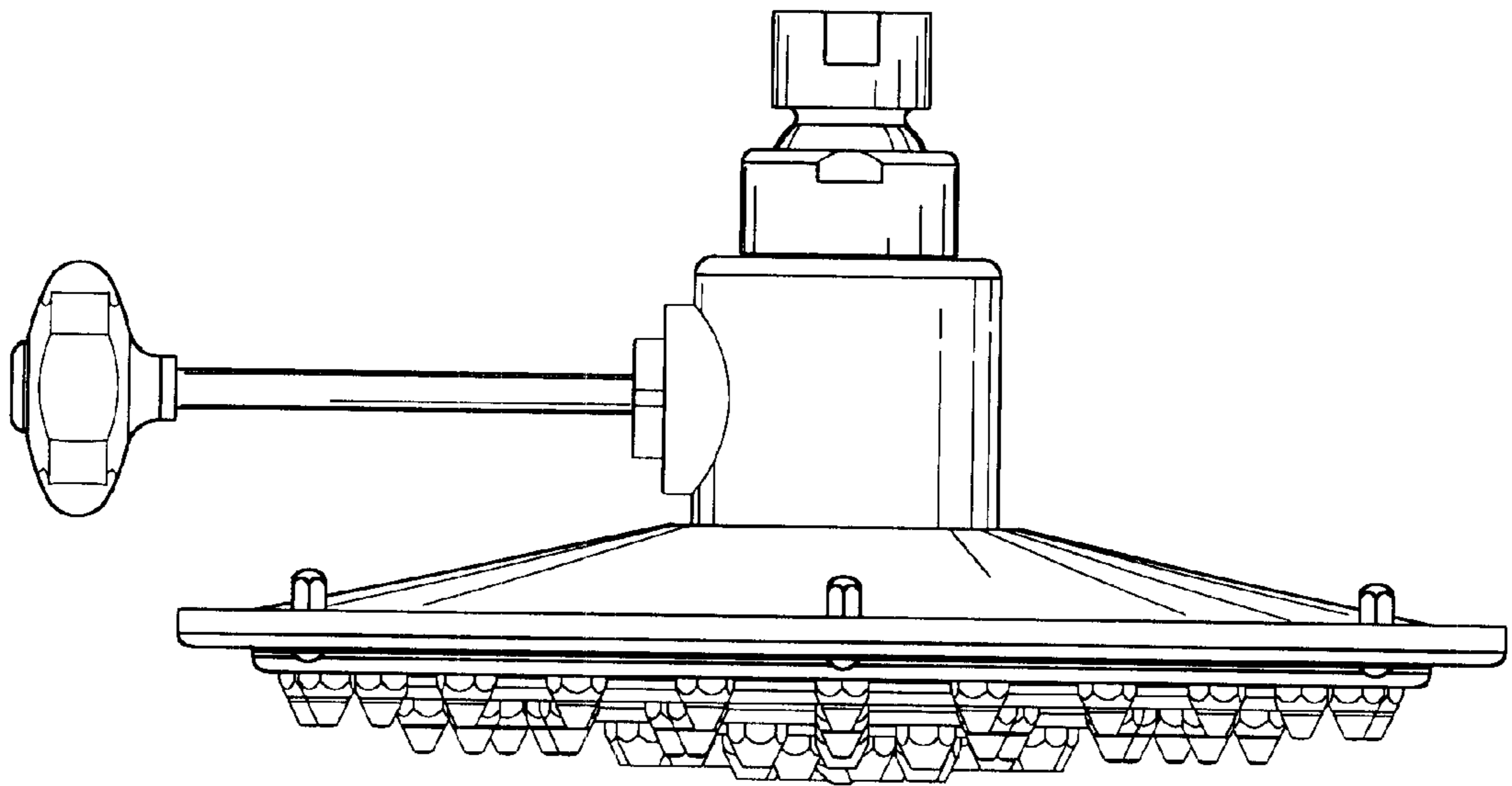


FIG. 3

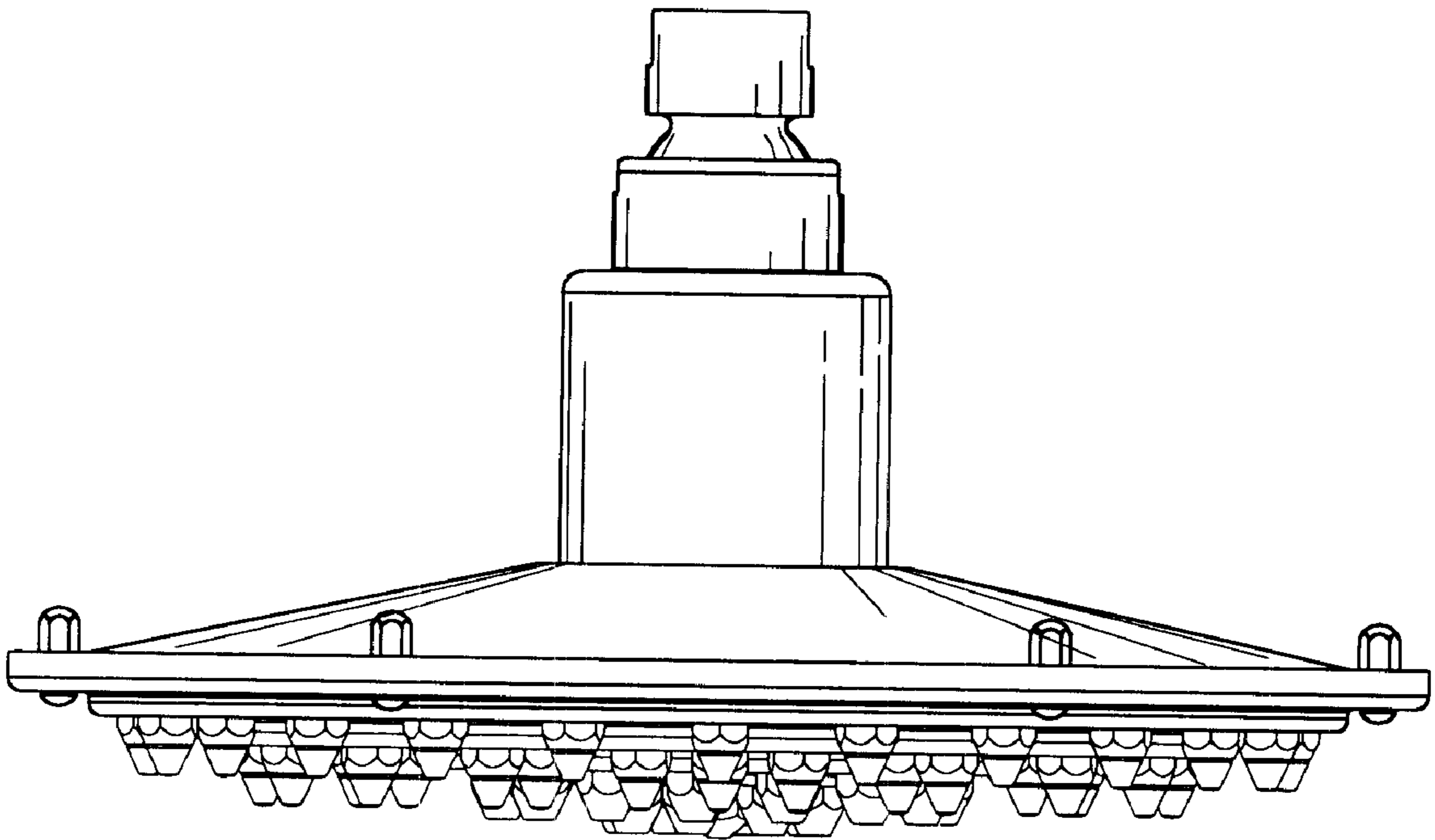


FIG. 4

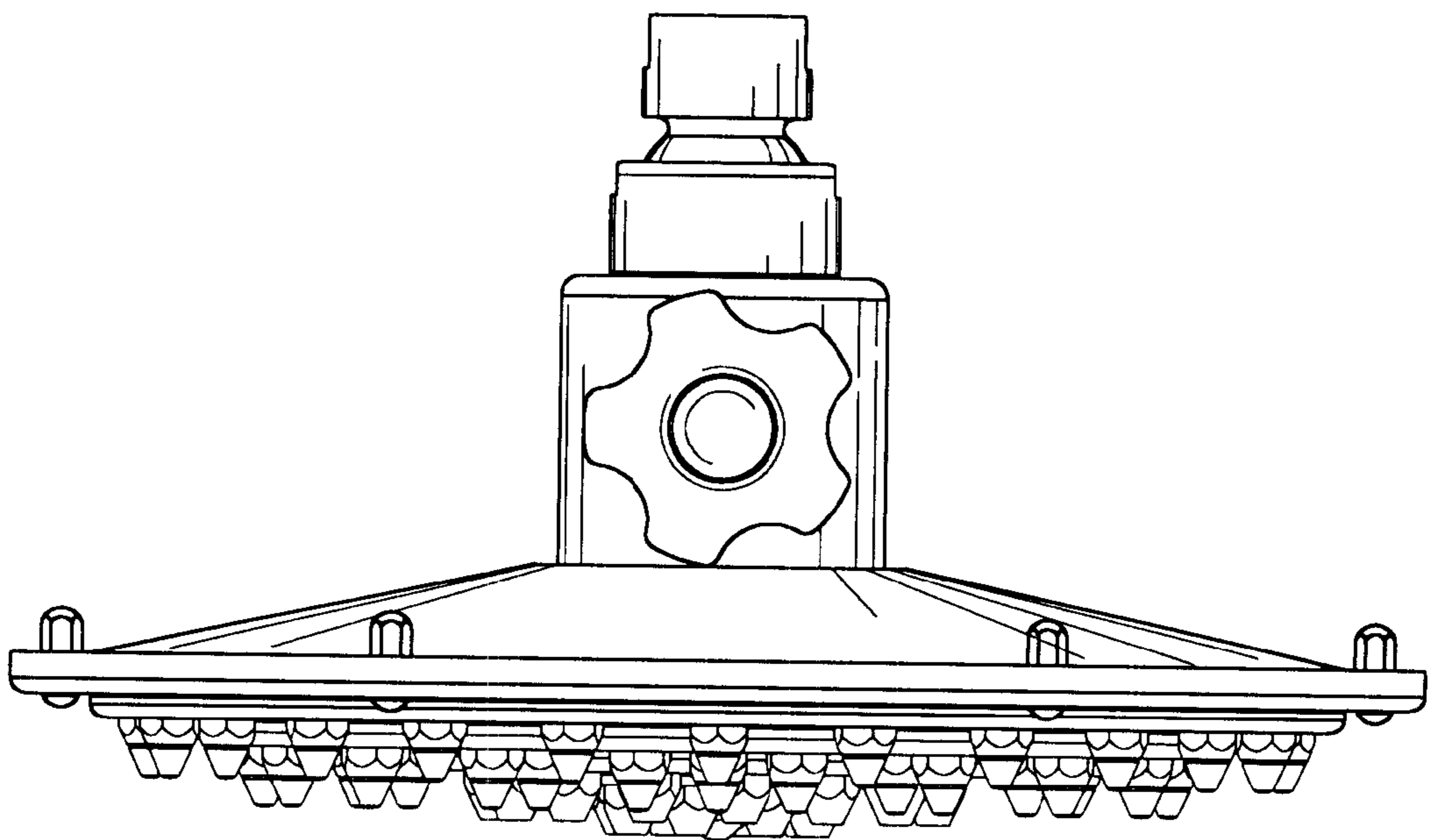


FIG. 5

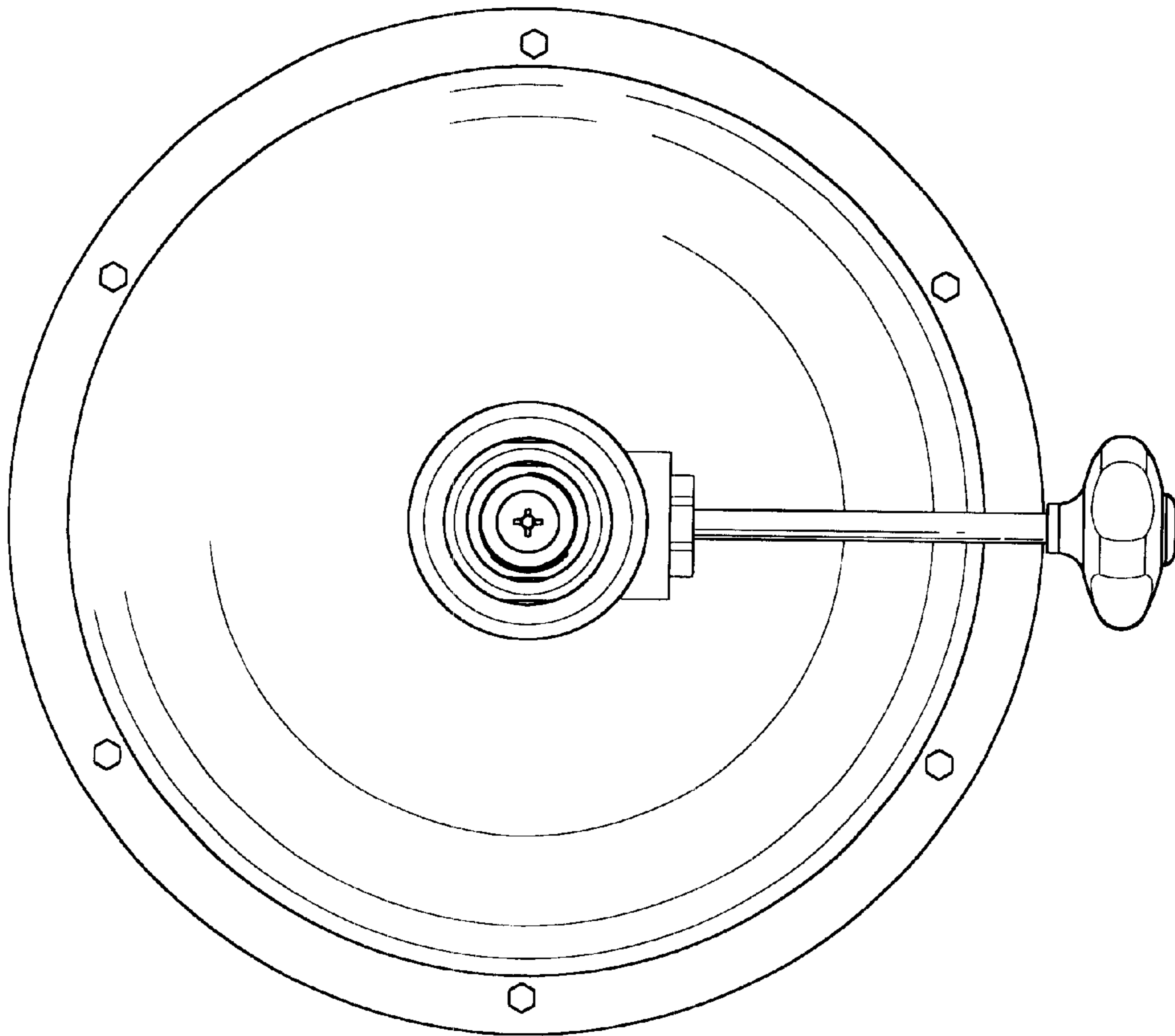


FIG. 6

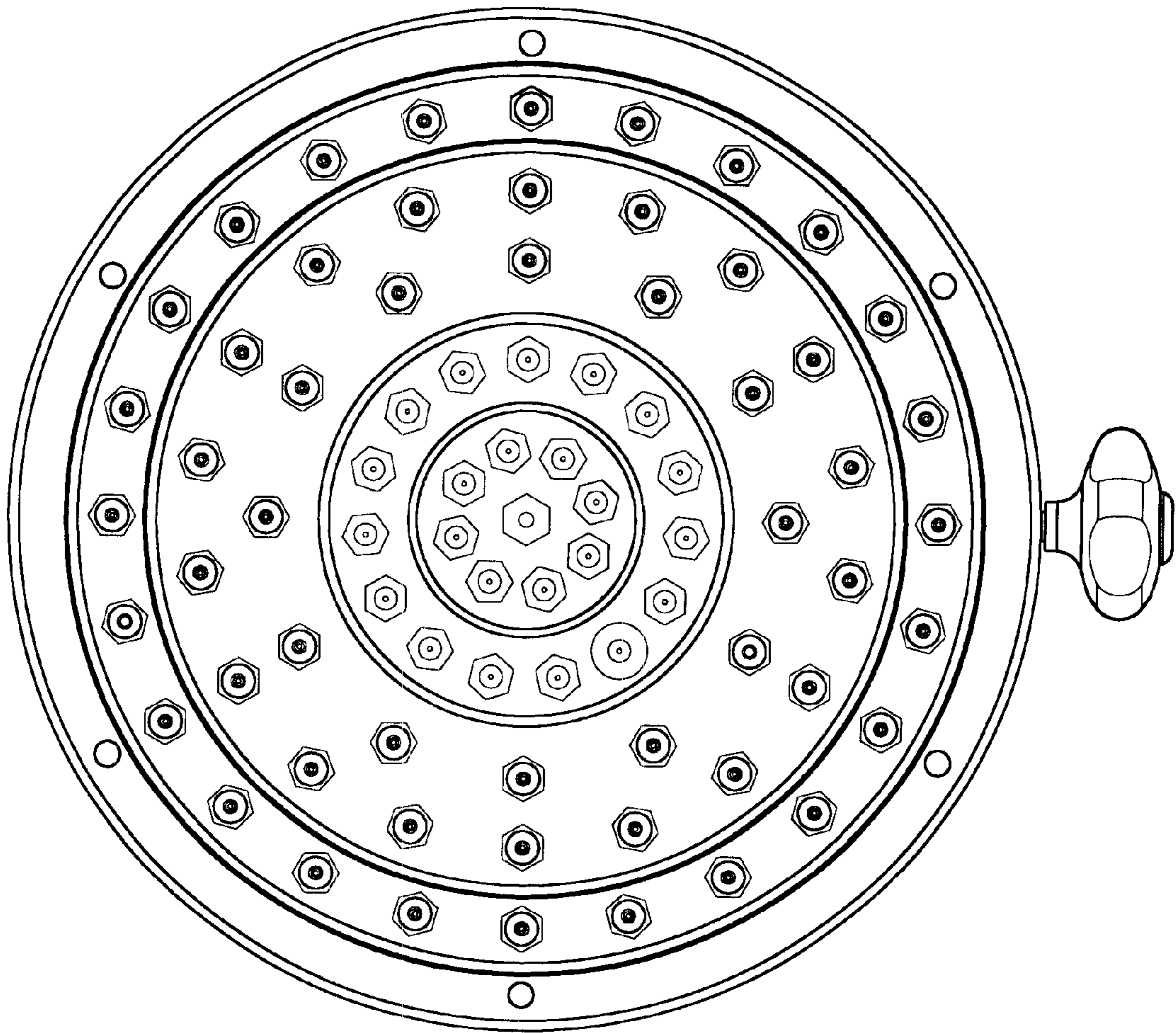


FIG. 7