

US00D461522S

(12) **United States Design Patent**  
**James et al.**

(10) **Patent No.:** **US D461,522 S**

(45) **Date of Patent:** **\*\* Aug. 13, 2002**

(54) **SPRING-LOADED FISHING ROD HOLDER**

(76) Inventors: **George E. James; Juanita James**, both  
of P.O.Box 3948, Porterville, CA (US)  
93258

(\*\*) Term: **14 Years**

(21) Appl. No.: **29/147,165**

(22) Filed: **Aug. 24, 2001**

(51) **LOC (7) Cl.** ..... **22-05**

(52) **U.S. Cl.** ..... **D22/147**

(58) **Field of Search** ..... D22/147; 43/15,  
43/16, 21.2; 248/538, 515

(56) **References Cited**

**U.S. PATENT DOCUMENTS**

1,025,657	A	5/1912	Towne	43/21.2
2,835,065	A *	5/1958	Schwartzkopf	43/15
3,837,109	A *	9/1974	DeJulio	43/15
4,012,861	A *	3/1977	Gellatly	43/15
4,031,651	A *	6/1977	Titze	43/15
4,065,869	A	1/1978	Berry	43/43.12
4,112,607	A	9/1978	Scher	43/17

4,154,015	A	5/1979	Holland	43/17
4,471,553	A	9/1984	Copeland	43/15
4,676,018	A *	6/1987	Kimball	43/15
D332,821	S *	1/1993	Padilla	D22/147
D352,543	S	11/1994	Venable	D22/147
6,336,287	B1 *	1/2002	Lobato	43/16

\* cited by examiner

*Primary Examiner*—Catherine R. Oliver

(74) *Attorney, Agent, or Firm*—Donald R. Schoonover

(57) **CLAIM**

The ornamental design for a spring-loaded fishing rod holder, as shown and described.

**DESCRIPTION**

FIG. 1 is a perspective view of the spring-loaded fishing rod holder embodying the design of the present invention.

FIG. 2 is a front elevational view thereof;

FIG. 3 is a rear elevational view thereof;

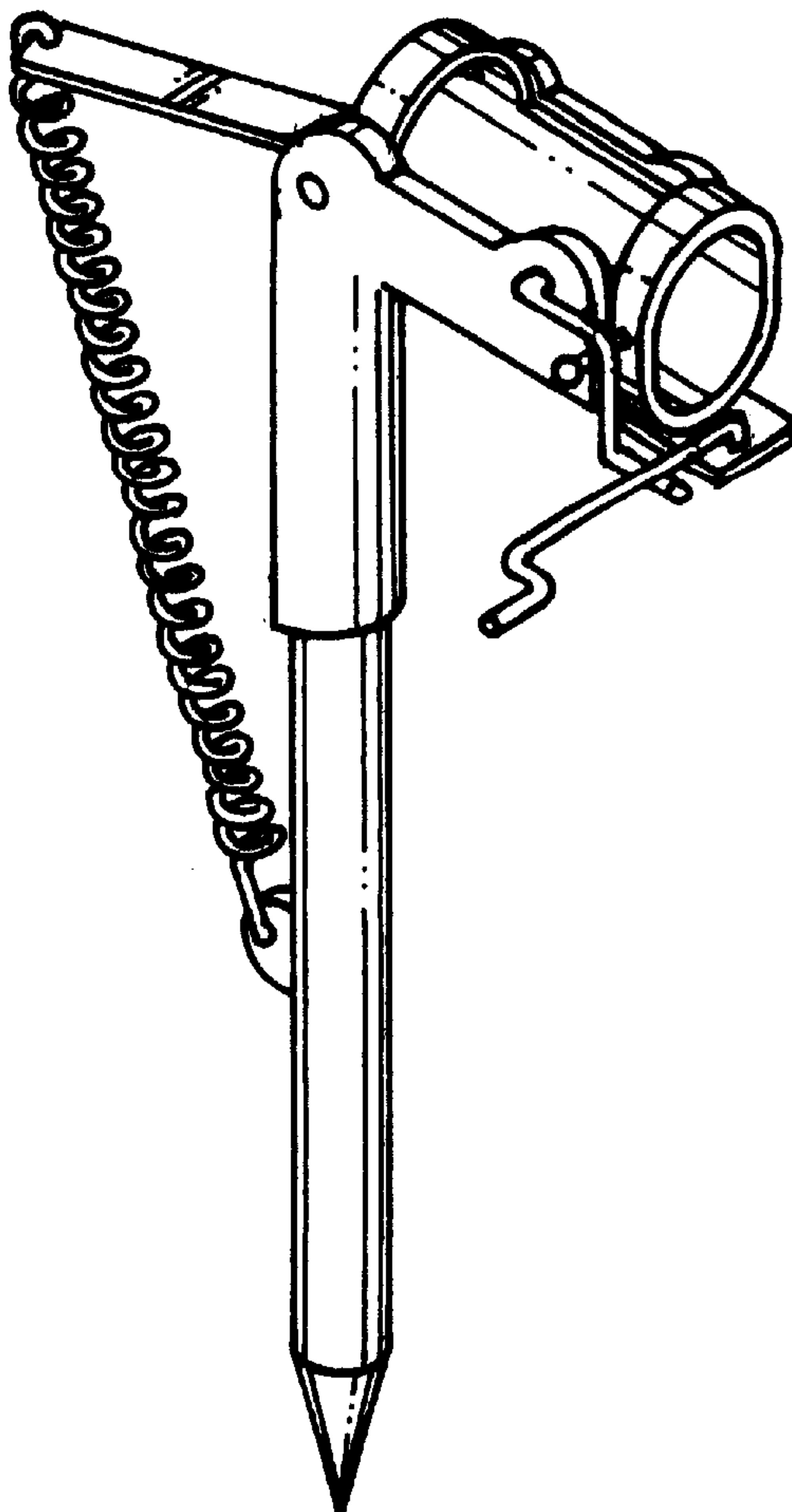
FIG. 4 is a left side elevational view thereof;

FIG. 5 is a right side elevational view thereof;

FIG. 6 is a top plan view thereof; and,

FIG. 7 is a bottom plan view thereof.

**1 Claim, 4 Drawing Sheets**



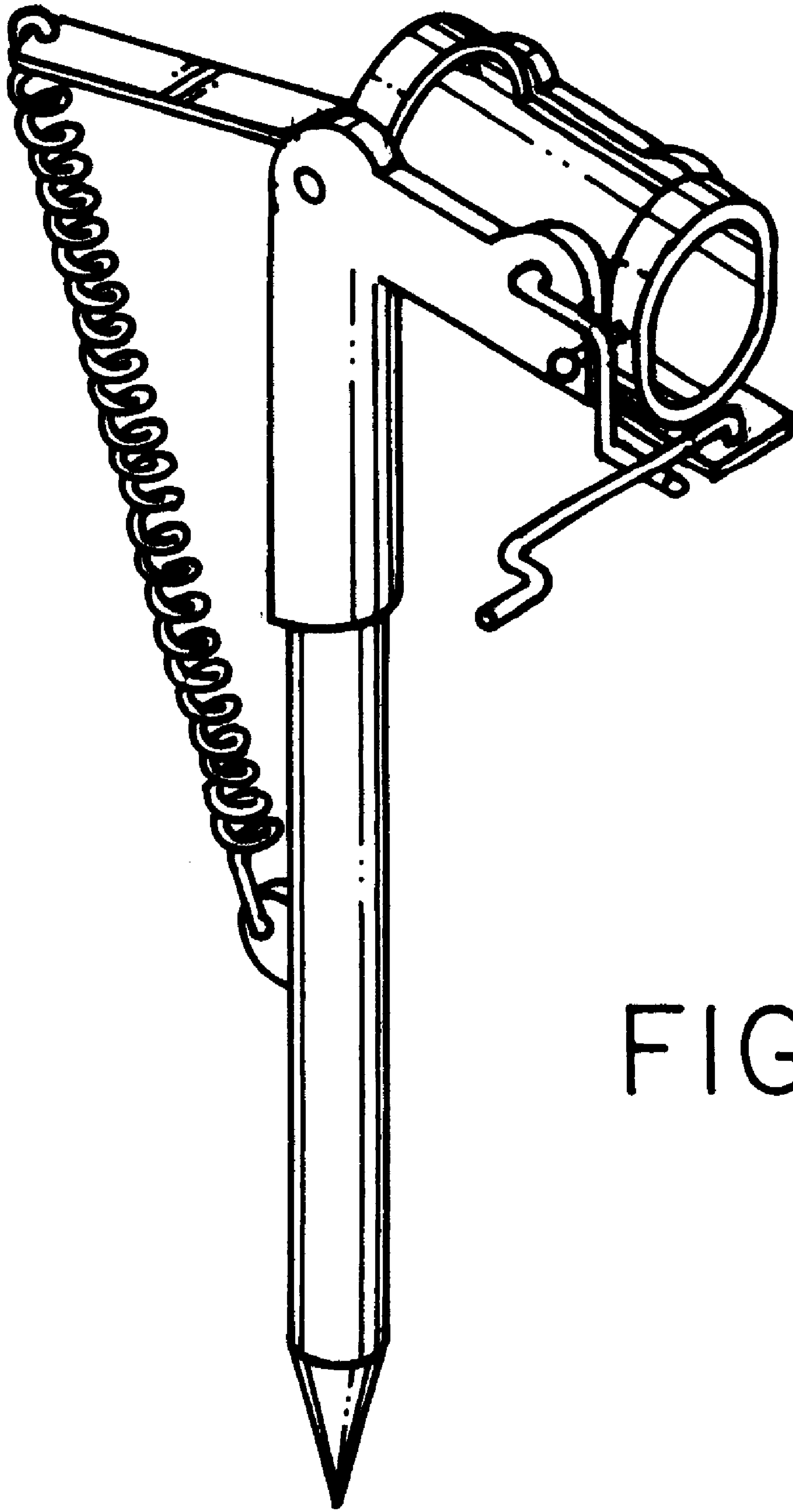


FIG. 1.

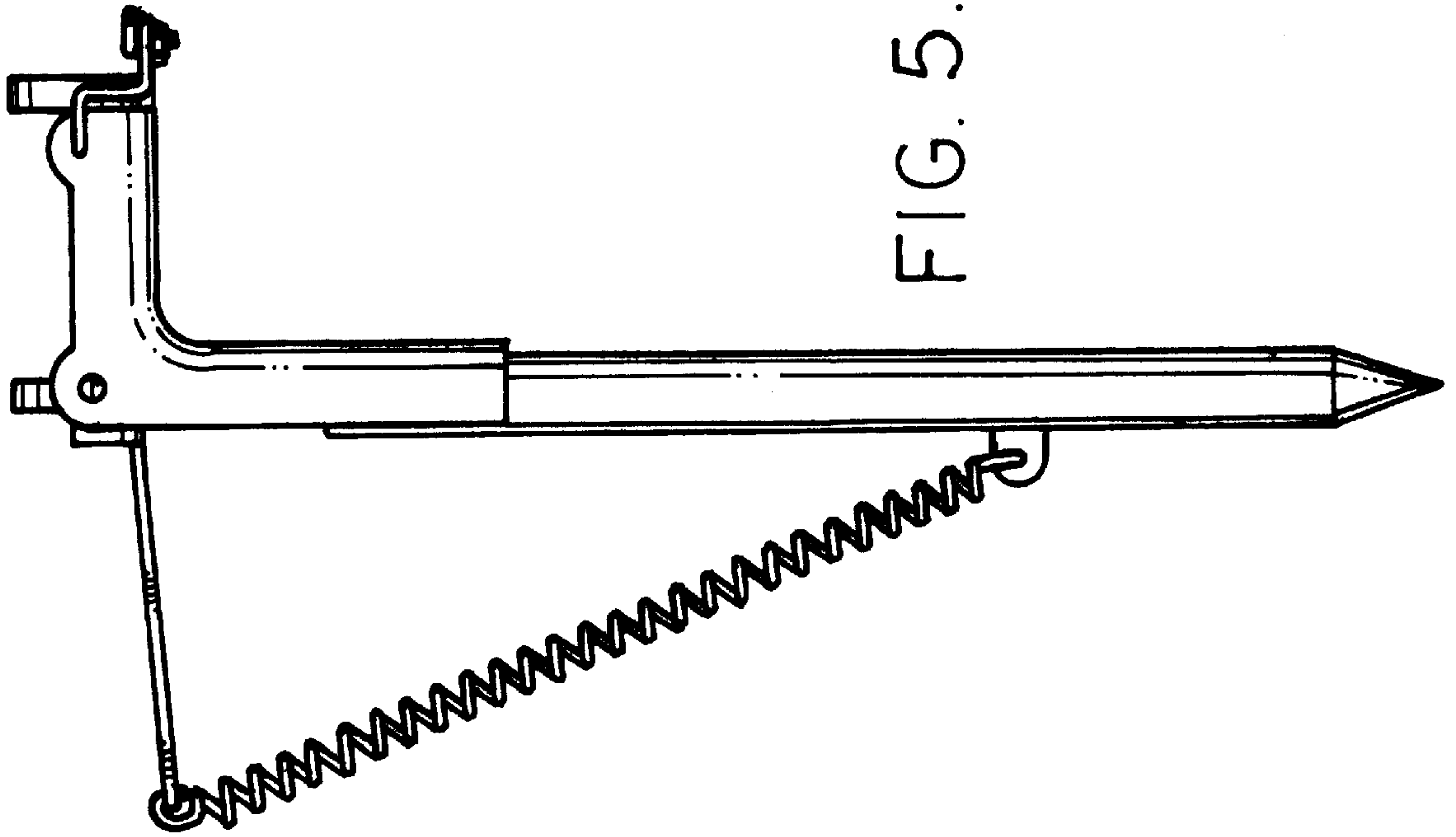


FIG. 5.

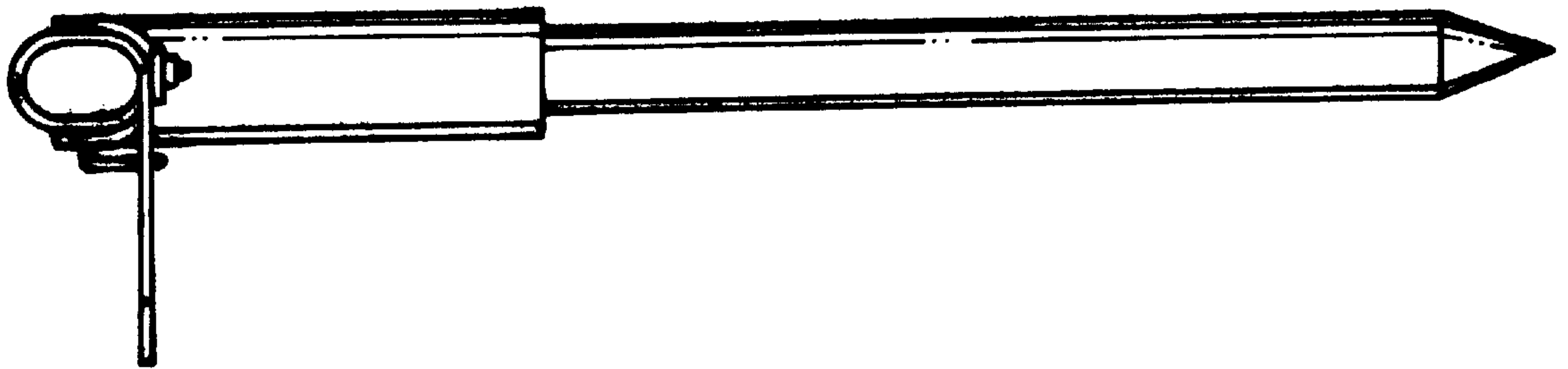


FIG. 2.

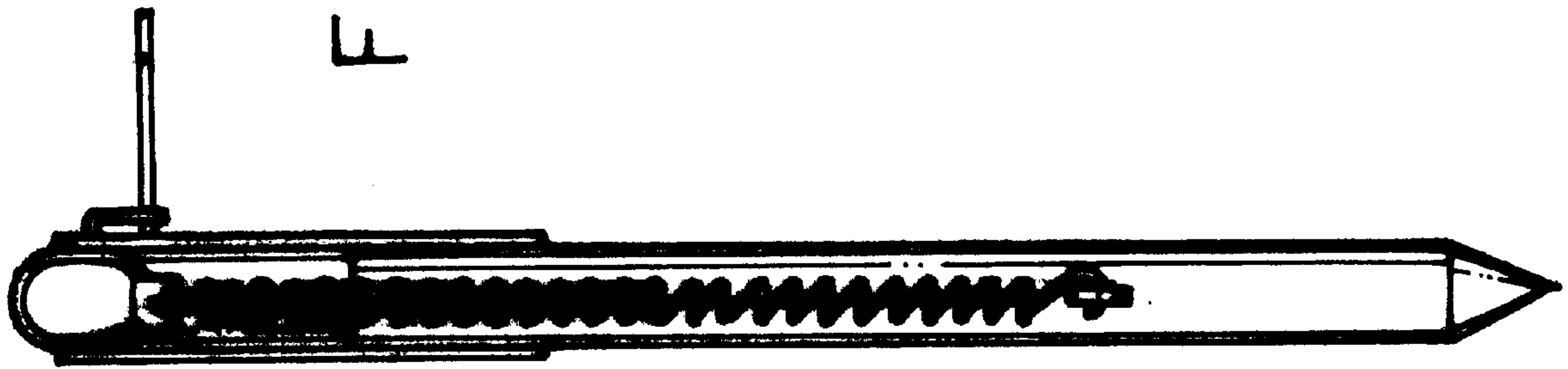


FIG. 3.

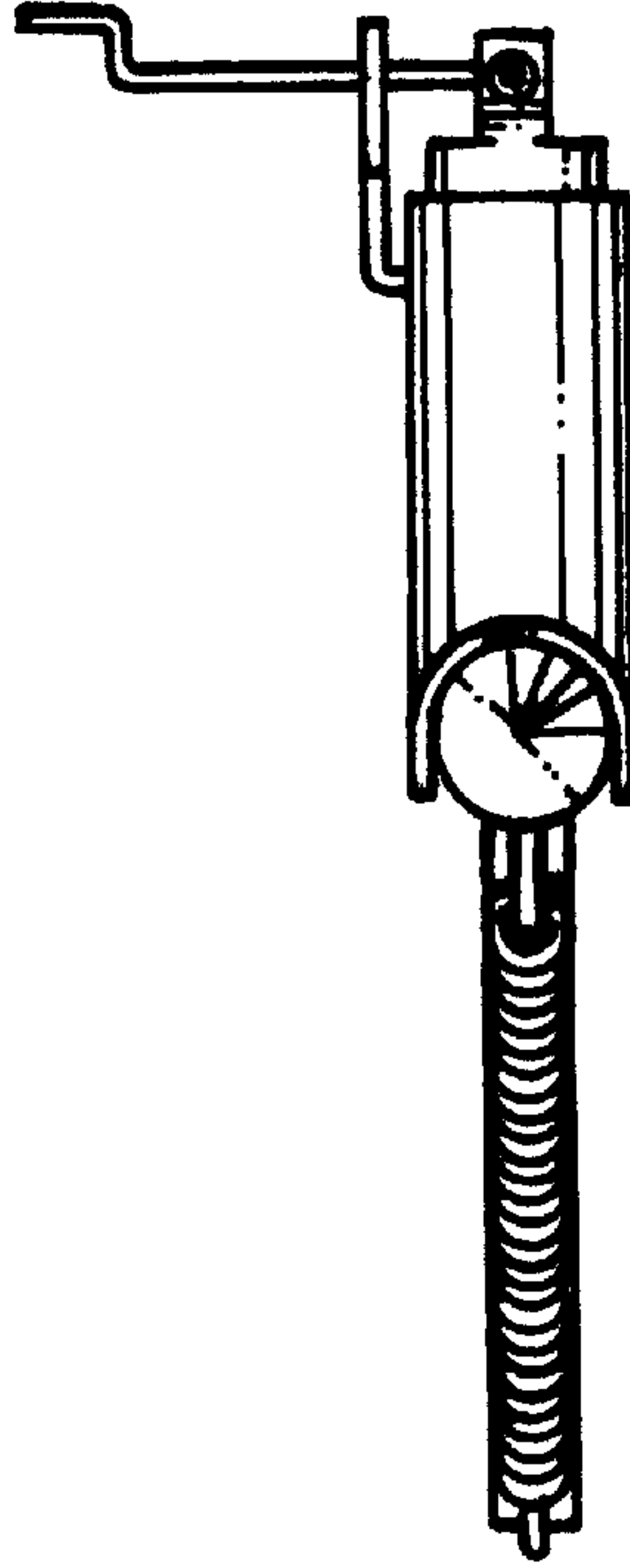


FIG. 7.

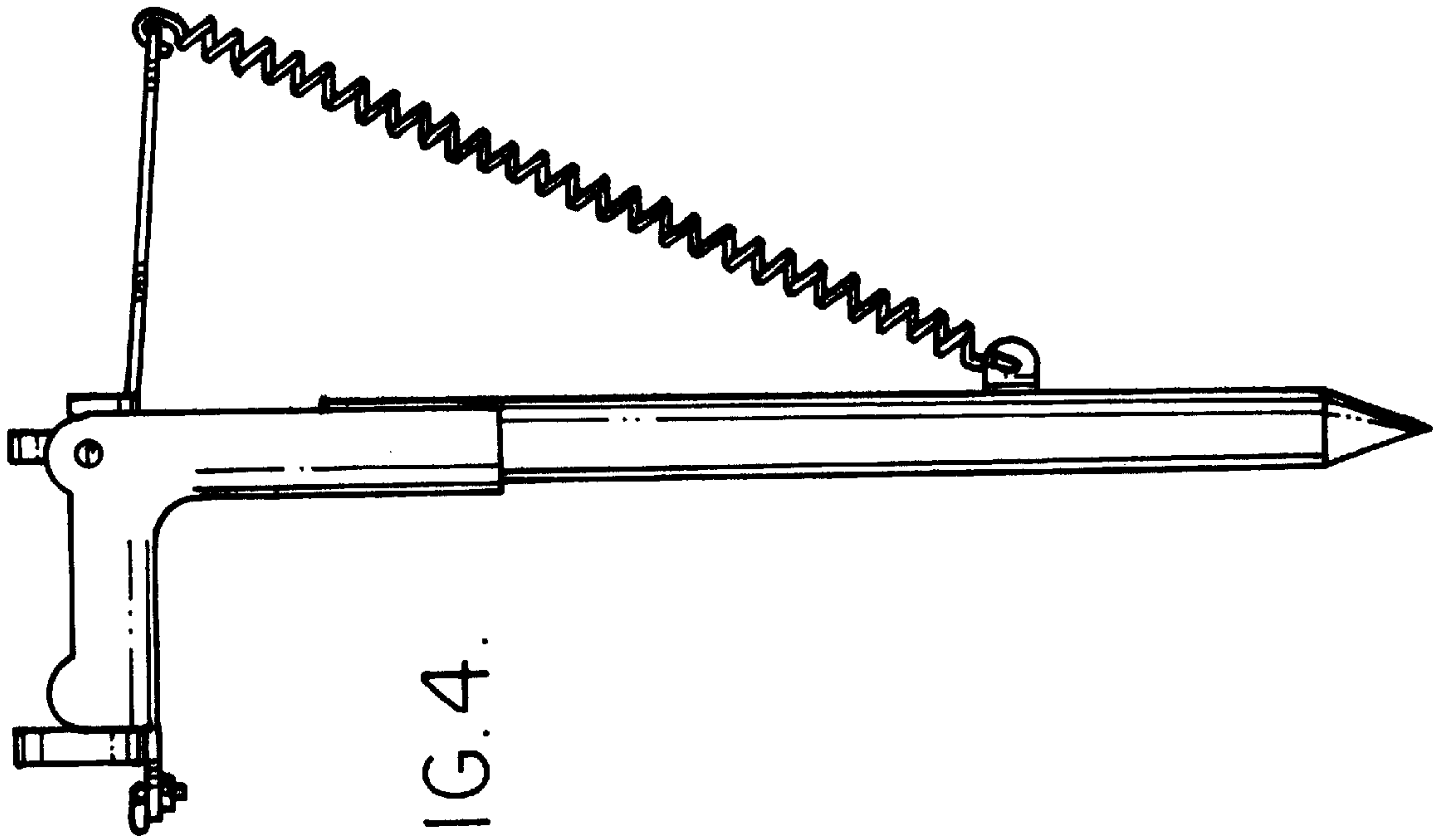


FIG. 4.

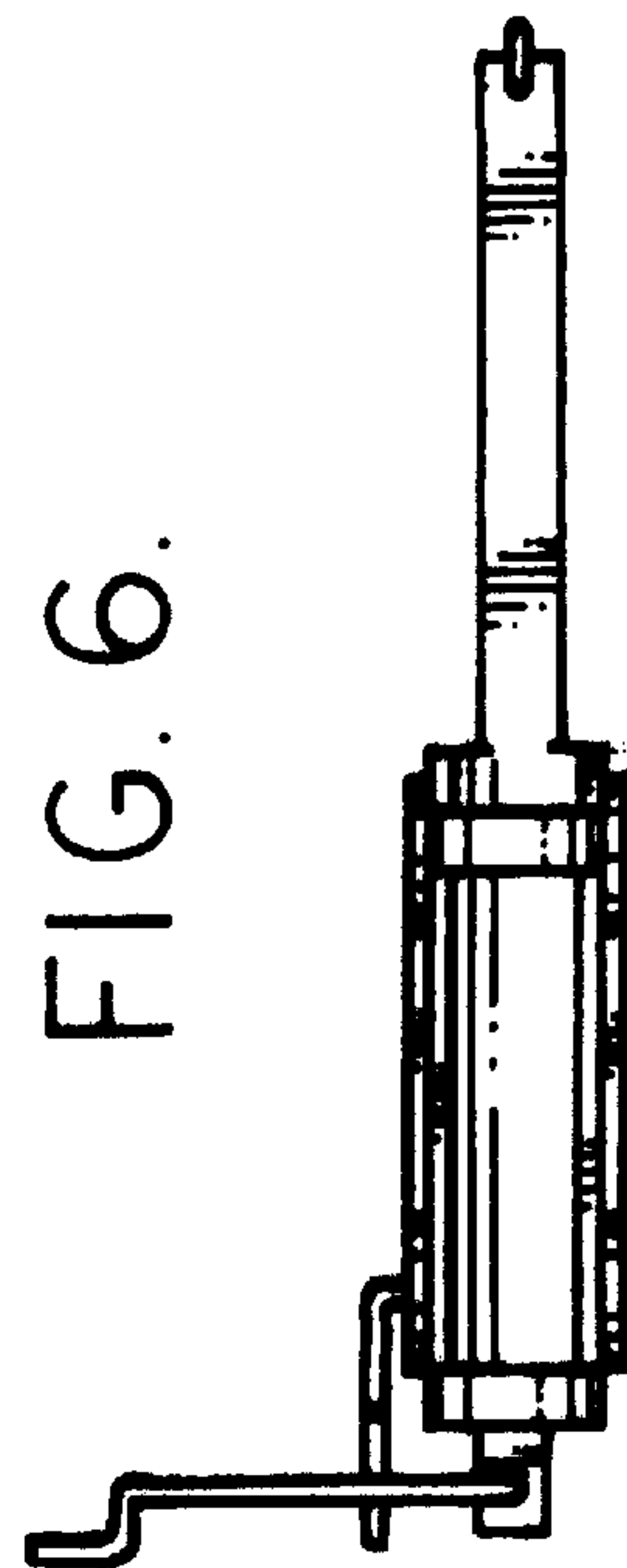


FIG. 6.