



US00D461518S

(12) **United States Design Patent**
Vigneron

(10) **Patent No.:** **US D461,518 S**

(45) **Date of Patent:** **** Aug. 13, 2002**

(54) **HOUSING**

(75) Inventor: **Bertrand Vigneron**, Cholot (FR)

(73) Assignee: **Wesco**, Cerizay (FR)

(**) Term: **14 Years**

(21) Appl. No.: **29/143,857**

(22) Filed: **Jun. 22, 2001**

(30) **Foreign Application Priority Data**

Jan. 5, 2001 (FR) 01 0077

(51) **LOC (7) Cl.** **21-03**

(52) **U.S. Cl.** **D21/814**

(58) **Field of Search** D21/811, 814,
D21/826, 827, 797; 482/34-36

(56) **References Cited**

U.S. PATENT DOCUMENTS

- 3,570,848 A * 3/1971 Bowen 482/34
- D246,477 S * 11/1977 Callecod D21/826
- 5,180,349 A * 1/1993 Marcus 482/34
- D340,498 S * 10/1993 Warren et al. D21/826

- D389,550 S * 1/1998 Williams D21/826
- 5,769,756 A * 6/1998 Parks 482/34
- 5,893,819 A * 4/1999 Dunn, Jr. et al. 482/35

* cited by examiner

Primary Examiner—Mitchell Siegel

(74) *Attorney, Agent, or Firm*—Nixon & Vanderhye, P.C.;
Frank P. Presta

(57) **CLAIM**

The ornamental design for a “housing”, as shown and described.

DESCRIPTION

FIG. 1 is a top plan view of the housing of the present invention;

FIG. 2 is a bottom plan view of the housing;

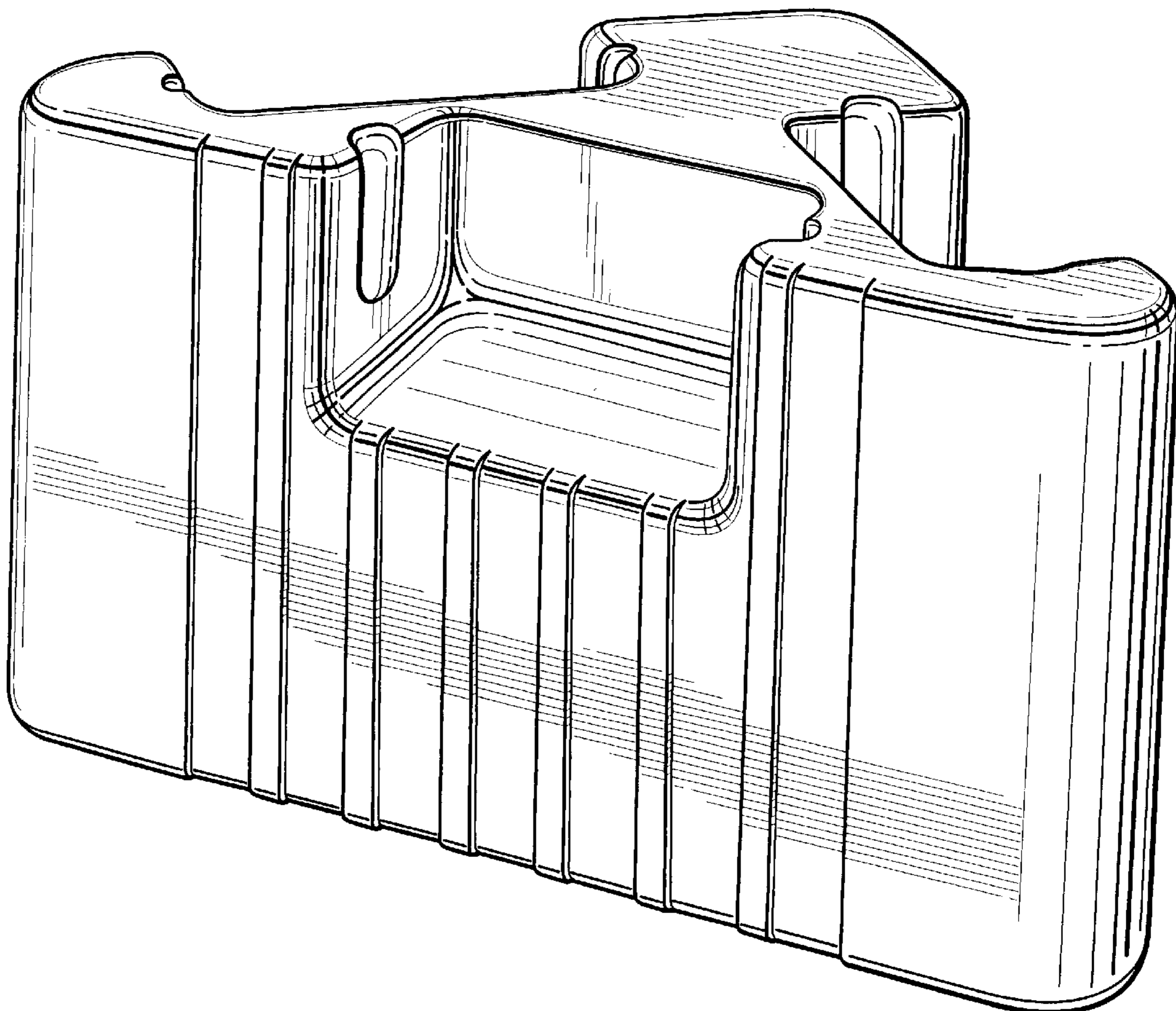
FIG. 3 is a side elevational view of one side of the housing;

FIG. 4 is a side elevational view of the other side of the housing;

FIG. 5 is a perspective view of the housing showing the top and one side thereof; and,

FIG. 6 is a perspective view of the housing showing the bottom and rear thereof.

1 Claim, 6 Drawing Sheets



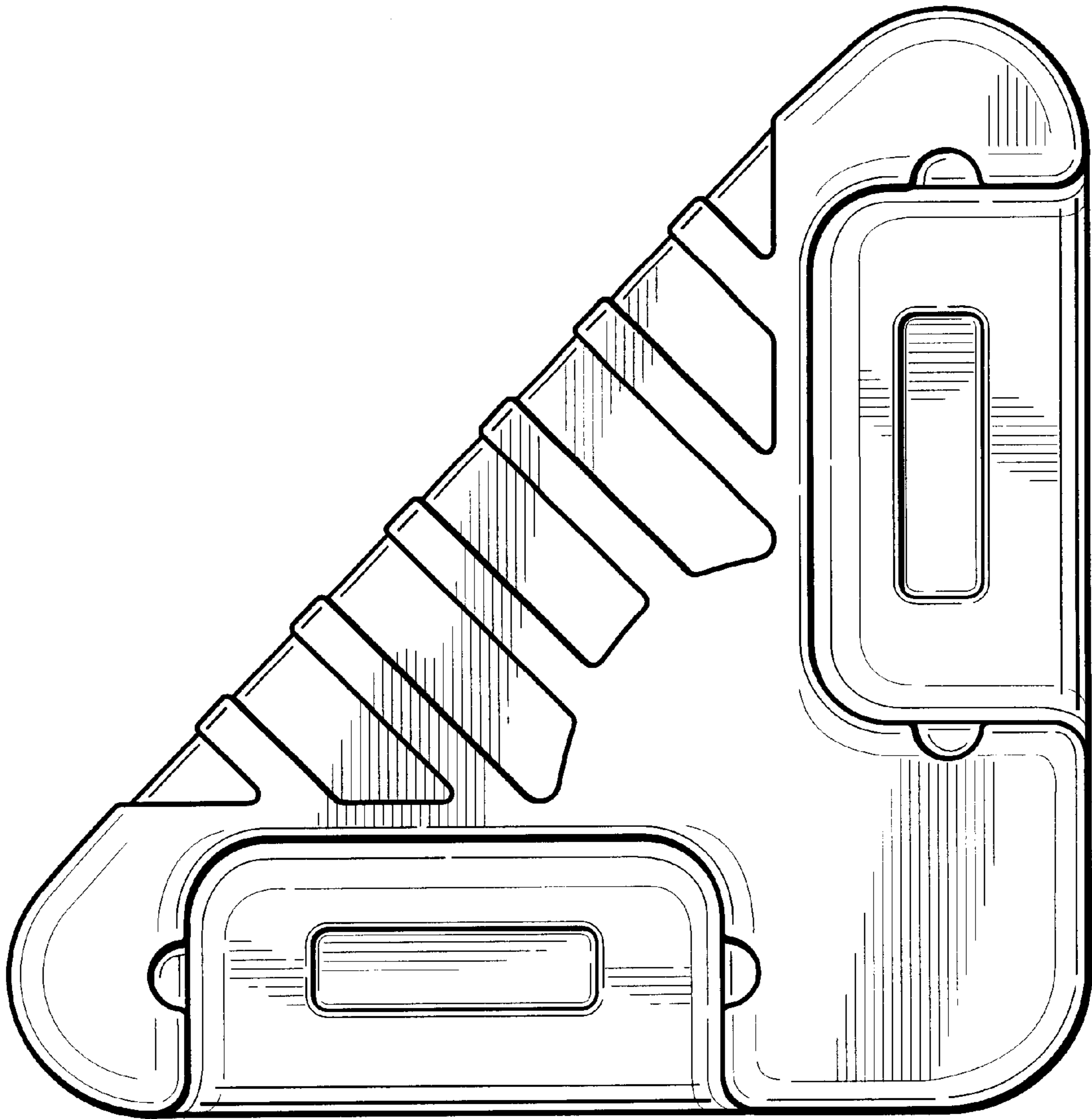


Fig. 1

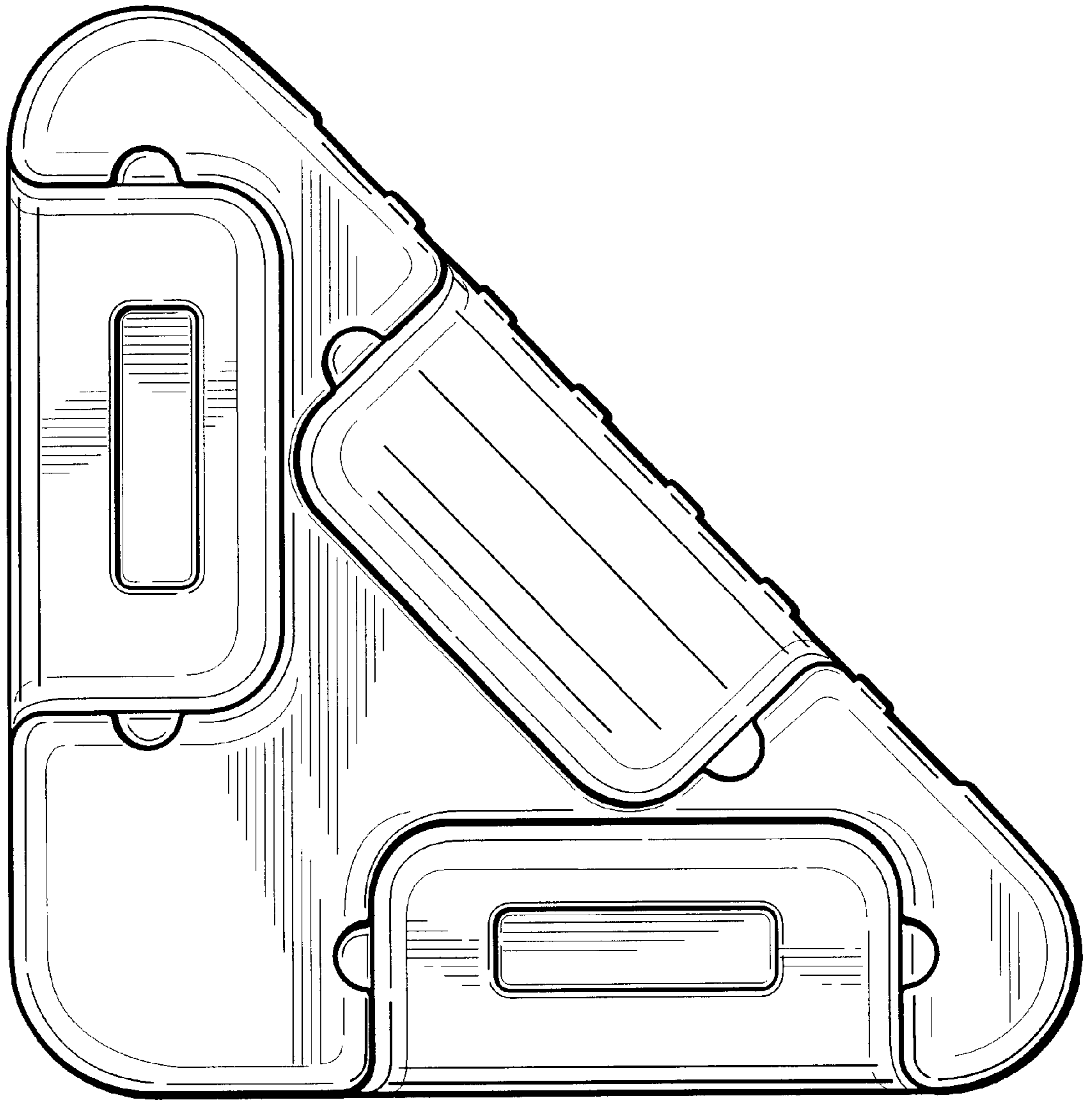


Fig. 2

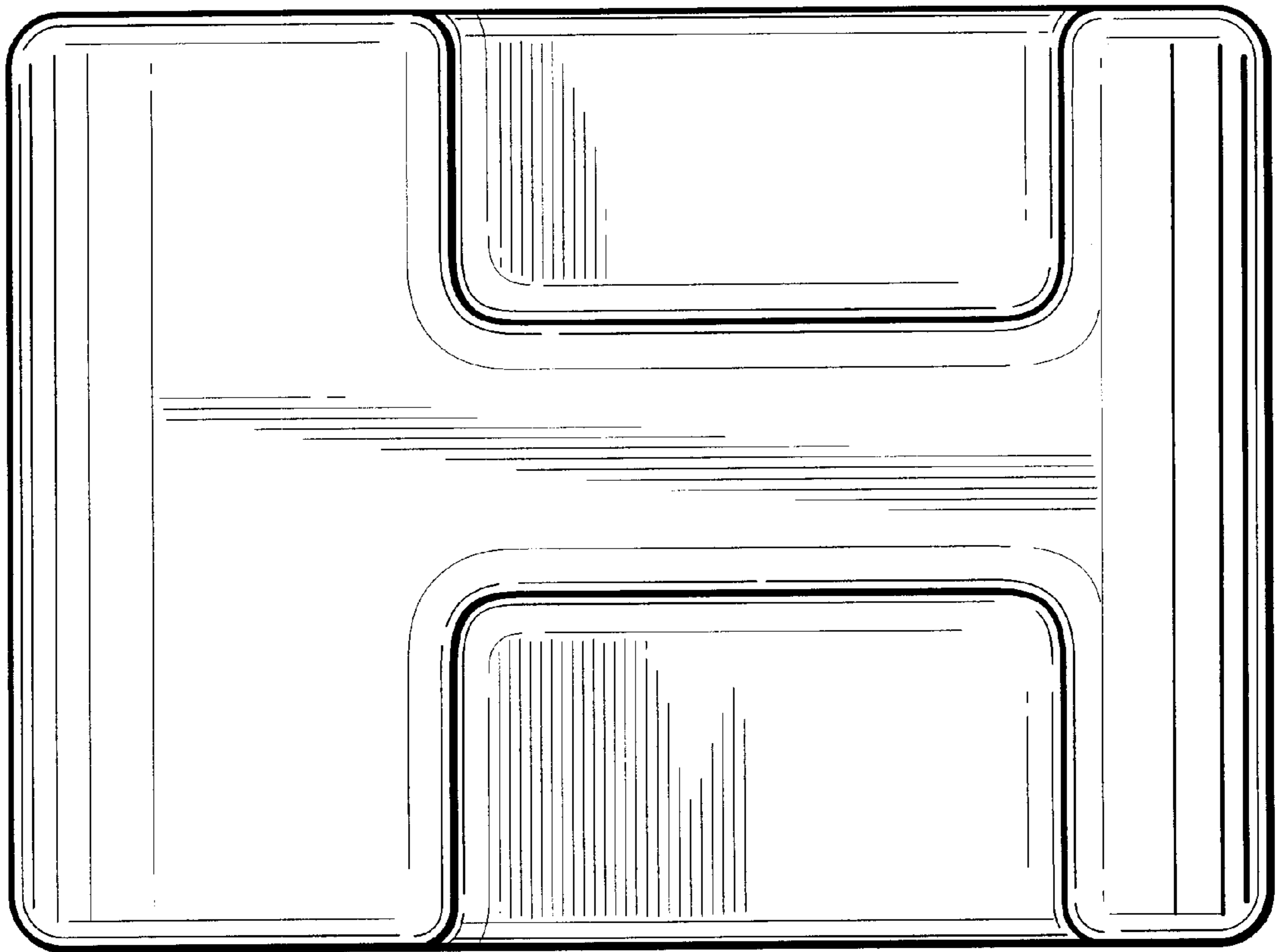


Fig. 3

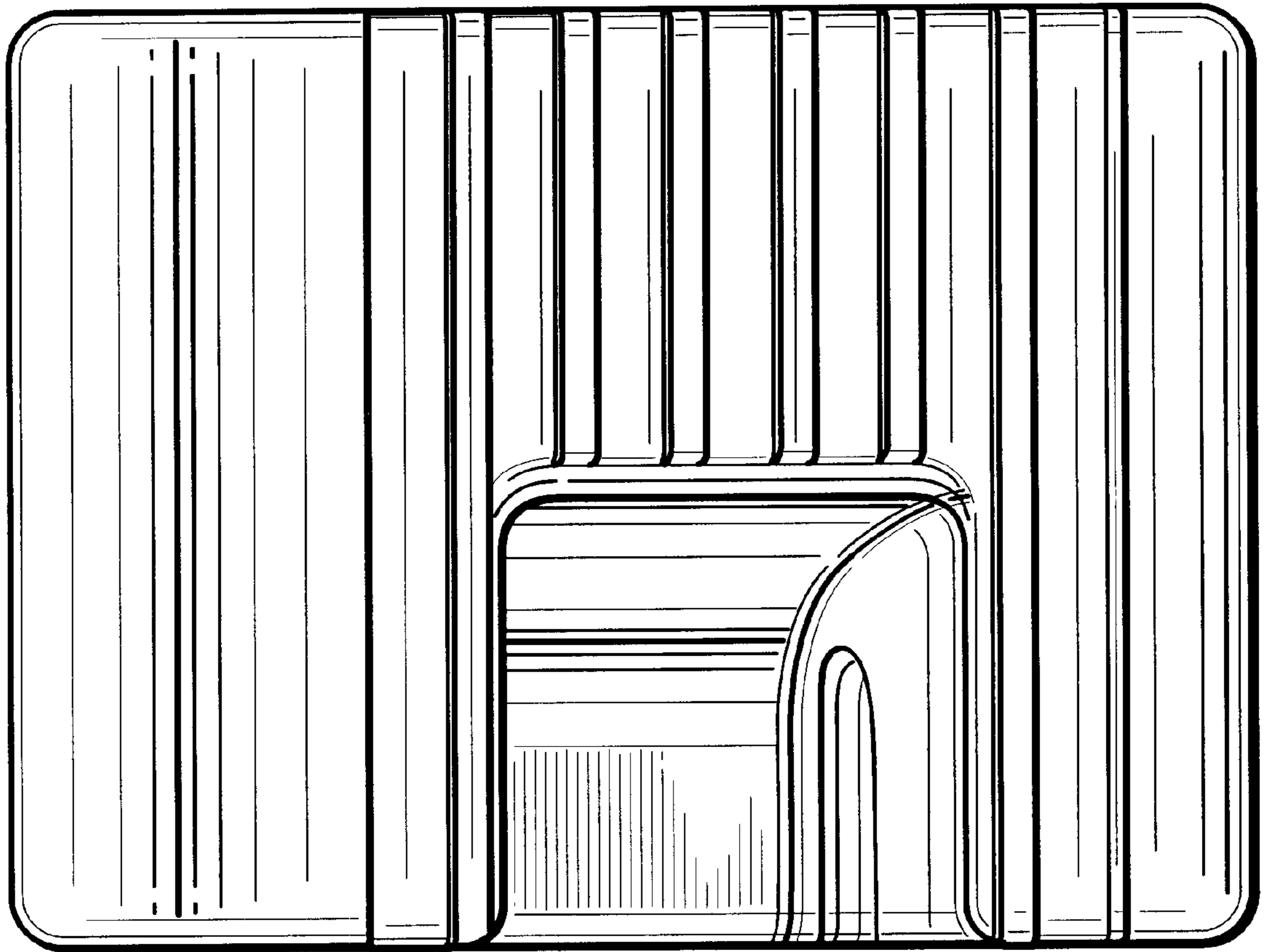


Fig. 4

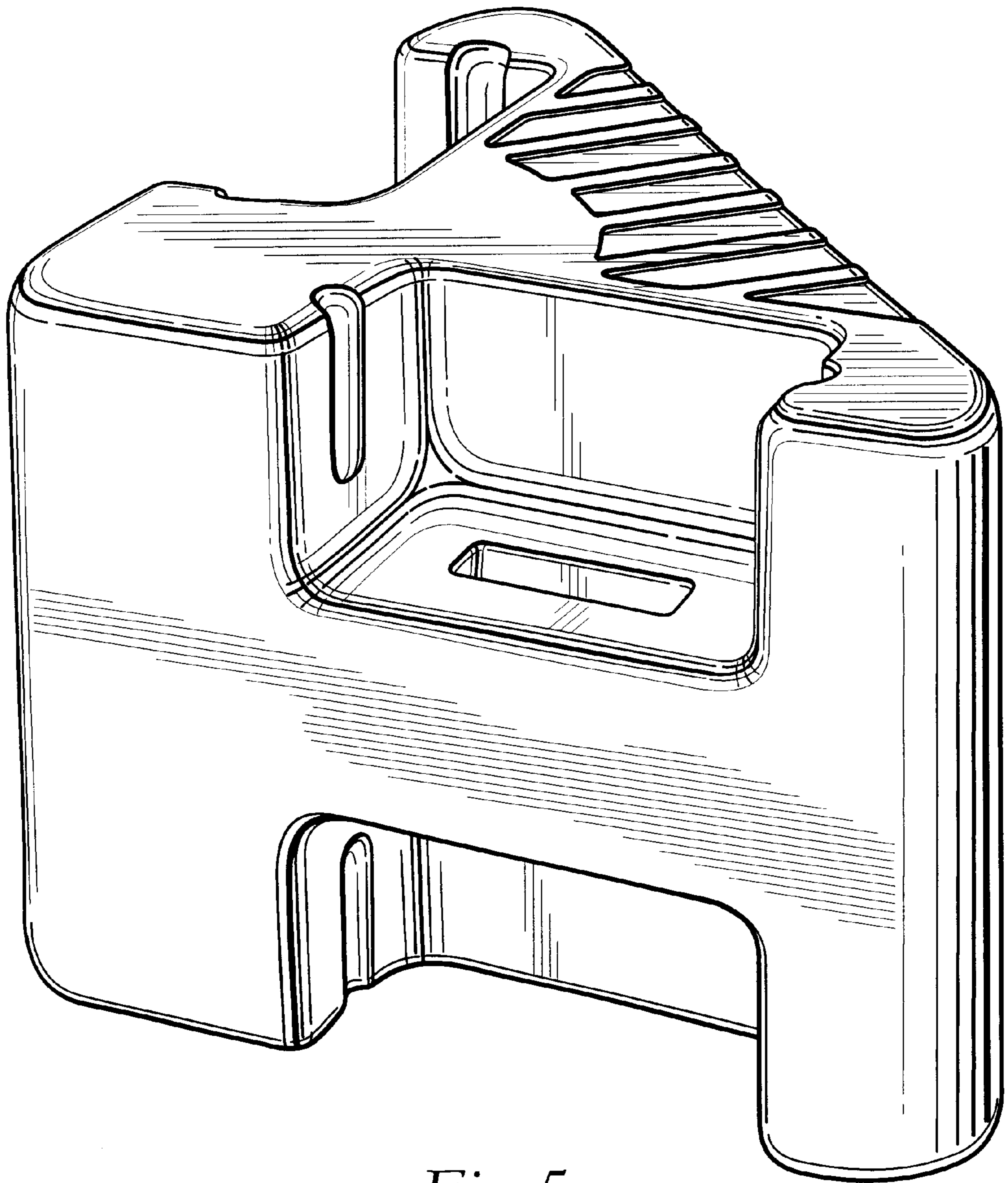


Fig. 5

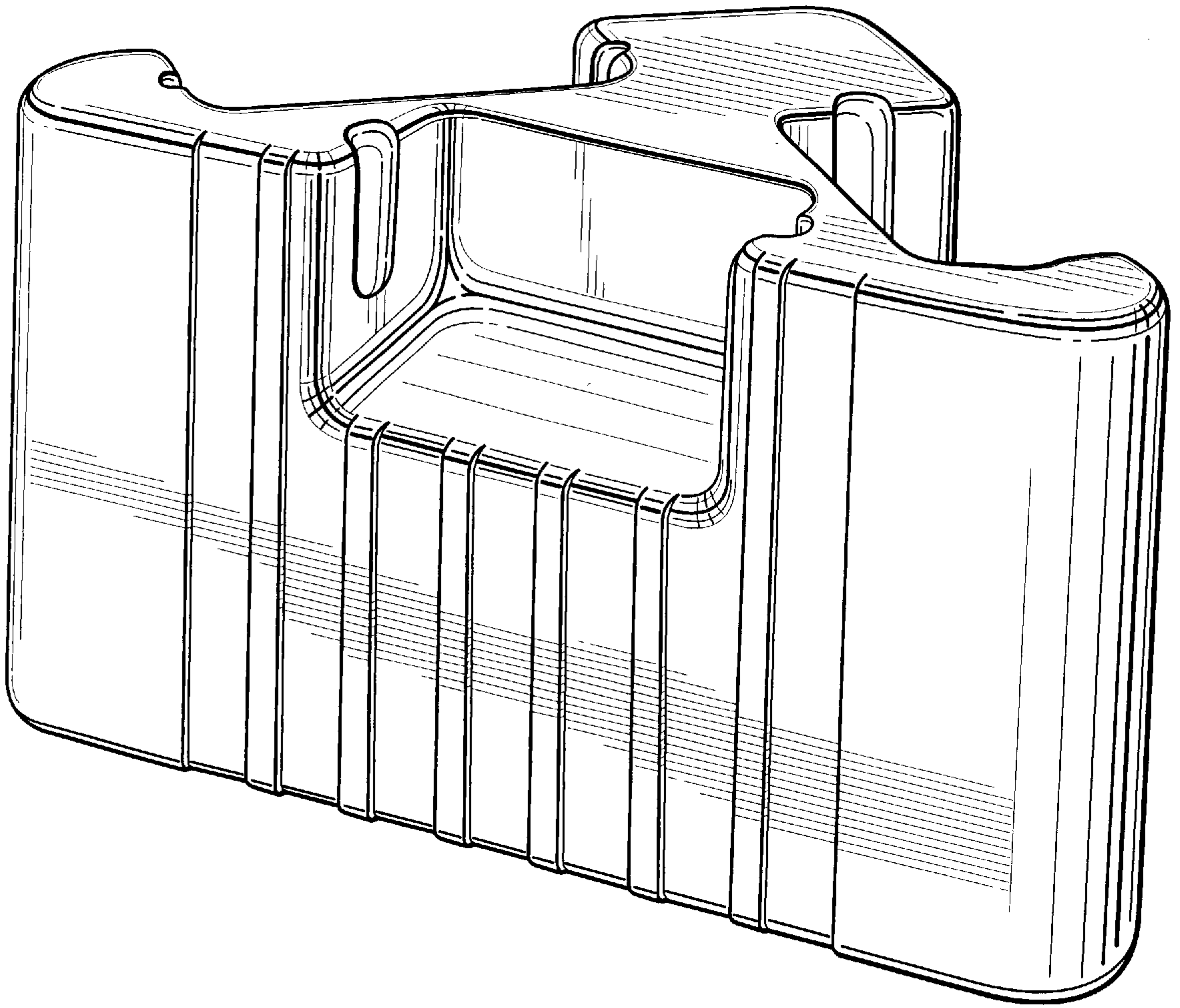


Fig. 6