



US00D461510S

(12) **United States Design Patent**  
**Wu**

(10) **Patent No.:** **US D461,510 S**

(45) **Date of Patent:** **\*\* Aug. 13, 2002**

(54) **LEISURE CAR FOR CHILDREN**

(76) **Inventor:** **Jung-Jyh Wu**, No. 20, Da Yeou 1st Street, Da Lian Shiang, Kaohsiung Hsien (TW)

(\*\*) **Term:** **14 Years**

(21) **Appl. No.:** **29/149,936**

(22) **Filed:** **Oct. 23, 2001**

(51) **LOC (7) Cl.** ..... **21-01**

(52) **U.S. Cl.** ..... **D21/433**

(58) **Field of Search** ..... D21/424-435, D21/533, 548-562; D12/16, 163, 169, 170, 87; 446/424, 425, 427, 433, 454, 456, 457, 462, 465, 470, 471; 280/87.01, 87.021, 828; 293/13, 15, 17, 20; 296/190, 185, 186

(56) **References Cited**

**U.S. PATENT DOCUMENTS**

- D300,011 S \* 2/1989 Oba ..... D12/87
- D395,023 S \* 6/1998 Hikida ..... D12/16
- D410,502 S \* 6/1999 Harrod ..... D21/433
- D417,244 S \* 11/1999 Yeh ..... D21/433
- D417,245 S \* 11/1999 Wang ..... D21/433

- D419,932 S \* 2/2000 Horbury ..... D12/169
- D424,630 S \* 5/2000 Tasy ..... D21/433
- D426,270 S \* 6/2000 Rubau ..... D21/433
- D432,062 S \* 10/2000 Larson ..... D12/169
- D436,386 S \* 1/2001 Huntsberger ..... D21/424
- D438,150 S \* 2/2001 Yokomaku ..... D12/169
- D447,452 S \* 9/2001 Im ..... D12/169

\* cited by examiner

*Primary Examiner*—Raphael Barkai

(74) *Attorney, Agent, or Firm*—Rosenberg, Klein & Lee

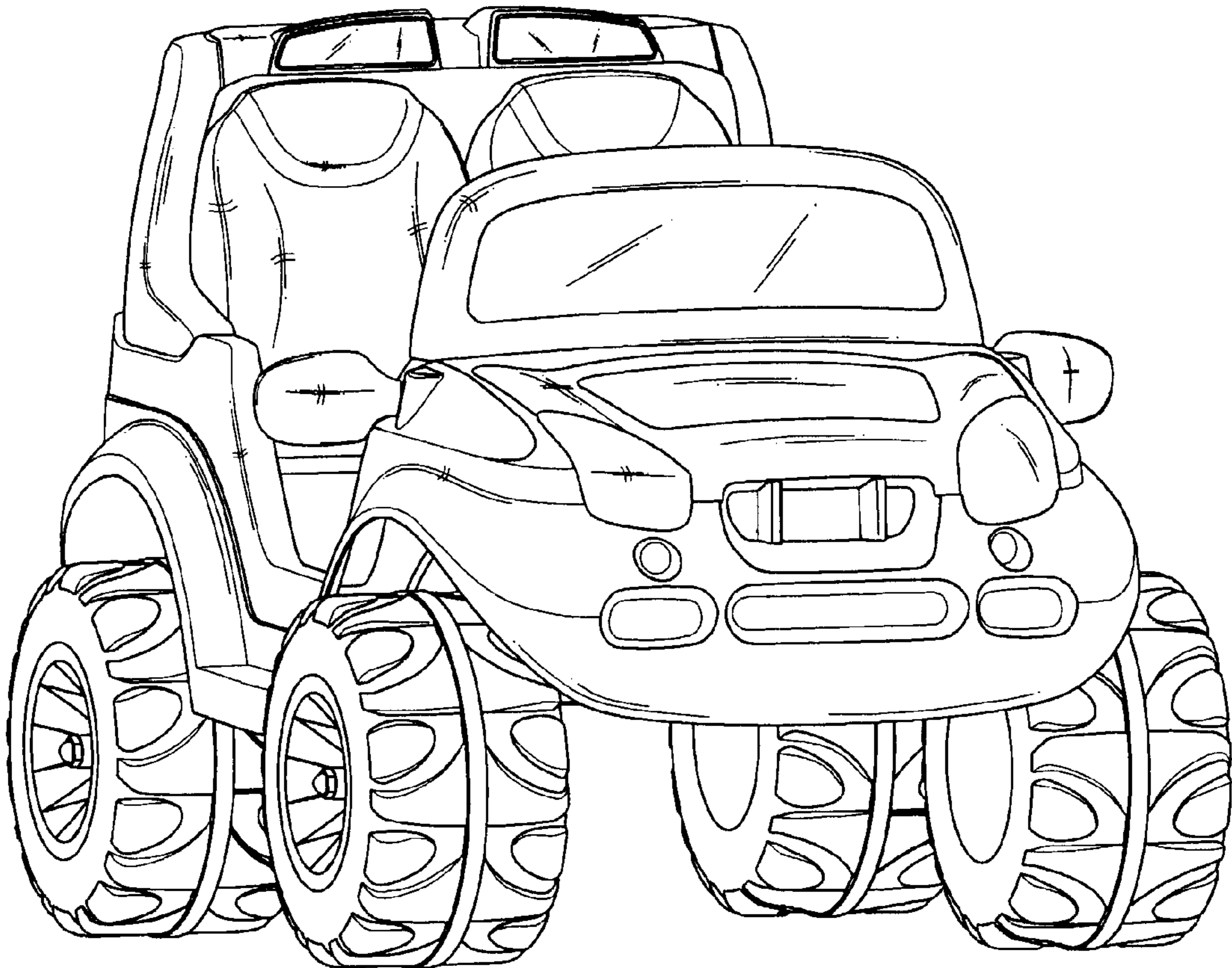
(57) **CLAIM**

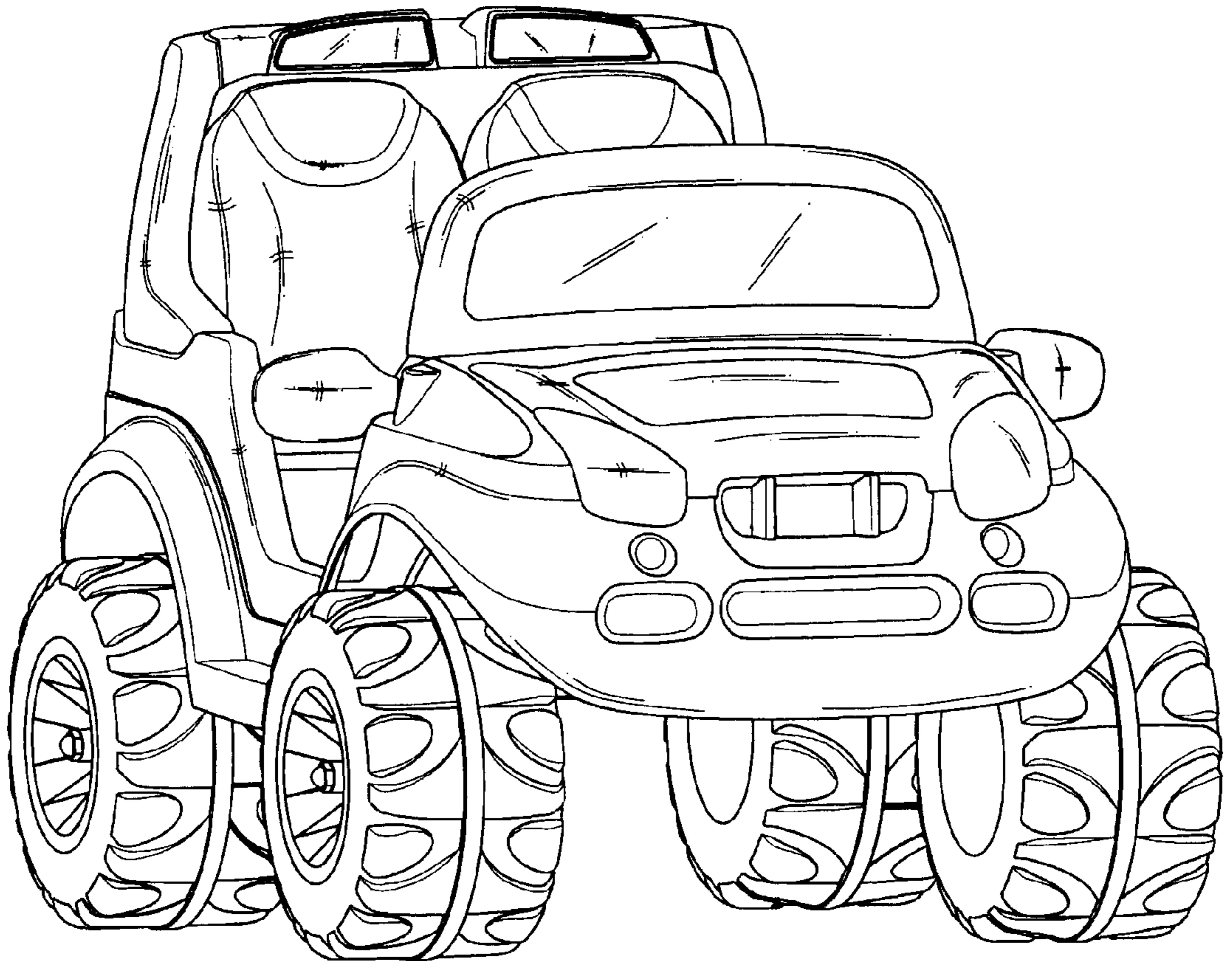
The ornamental design for a leisure car for children, as shown and described.

**DESCRIPTION**

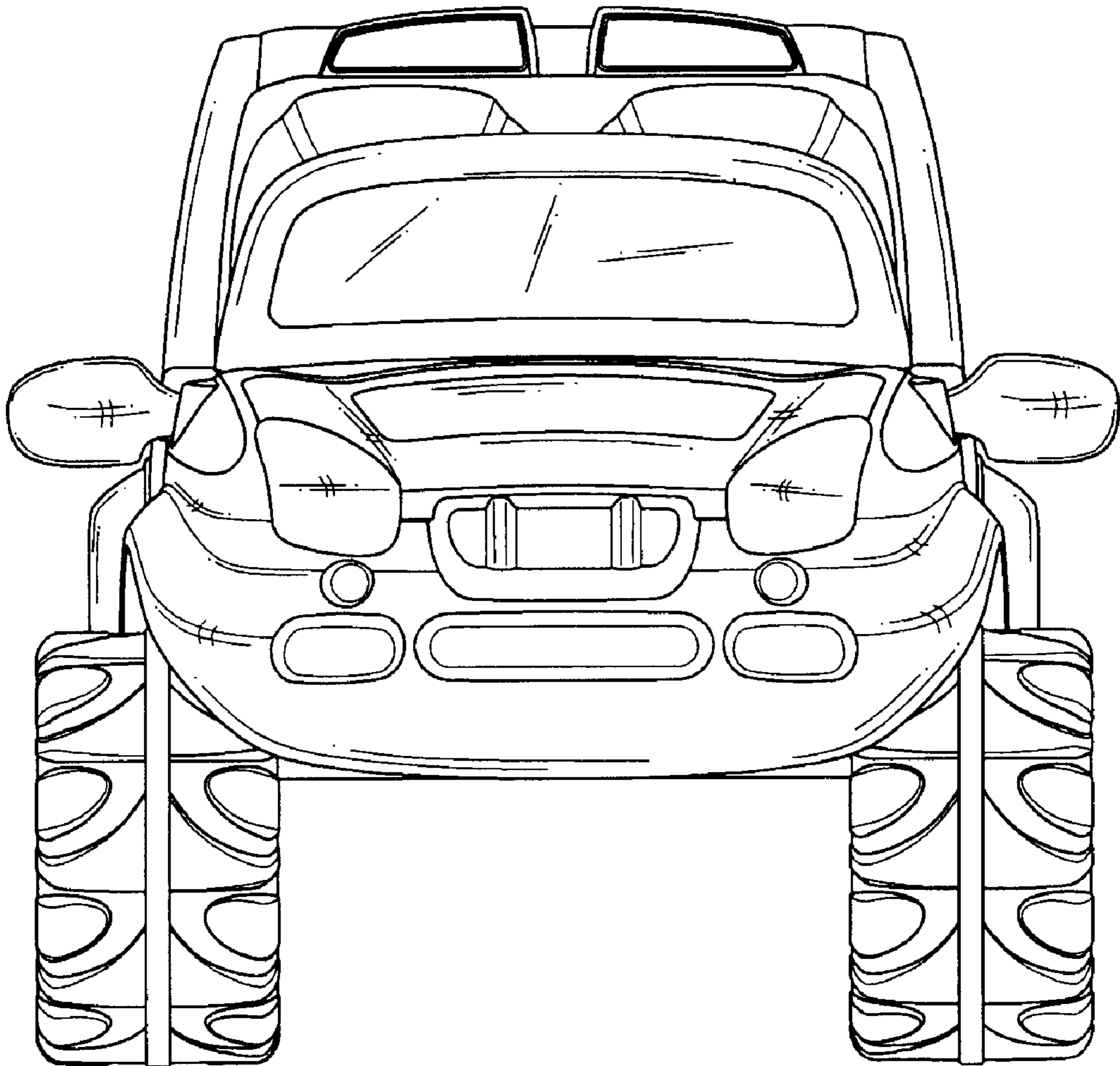
FIG. 1 is a perspective view of a leisure car for children showing my design;  
 FIG. 2 is a front elevational view thereof;  
 FIG. 3 is rear elevational view thereof;  
 FIG. 4 is a left elevational view thereof;  
 FIG. 5 is a right elevational view thereof;  
 FIG. 6 is a top plan view thereof; and,  
 FIG. 7 is a bottom plan view thereof.

**1 Claim, 7 Drawing Sheets**

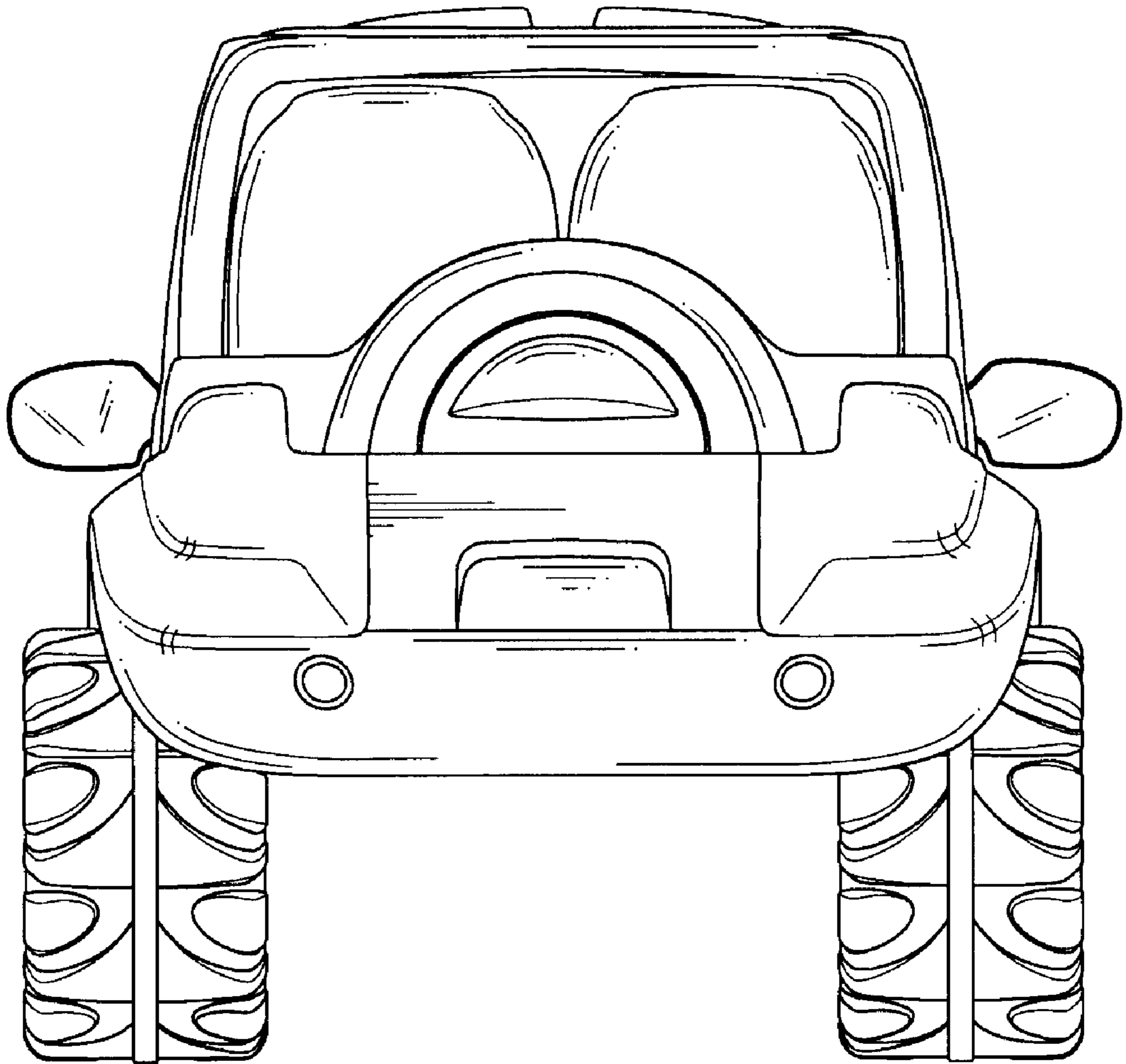




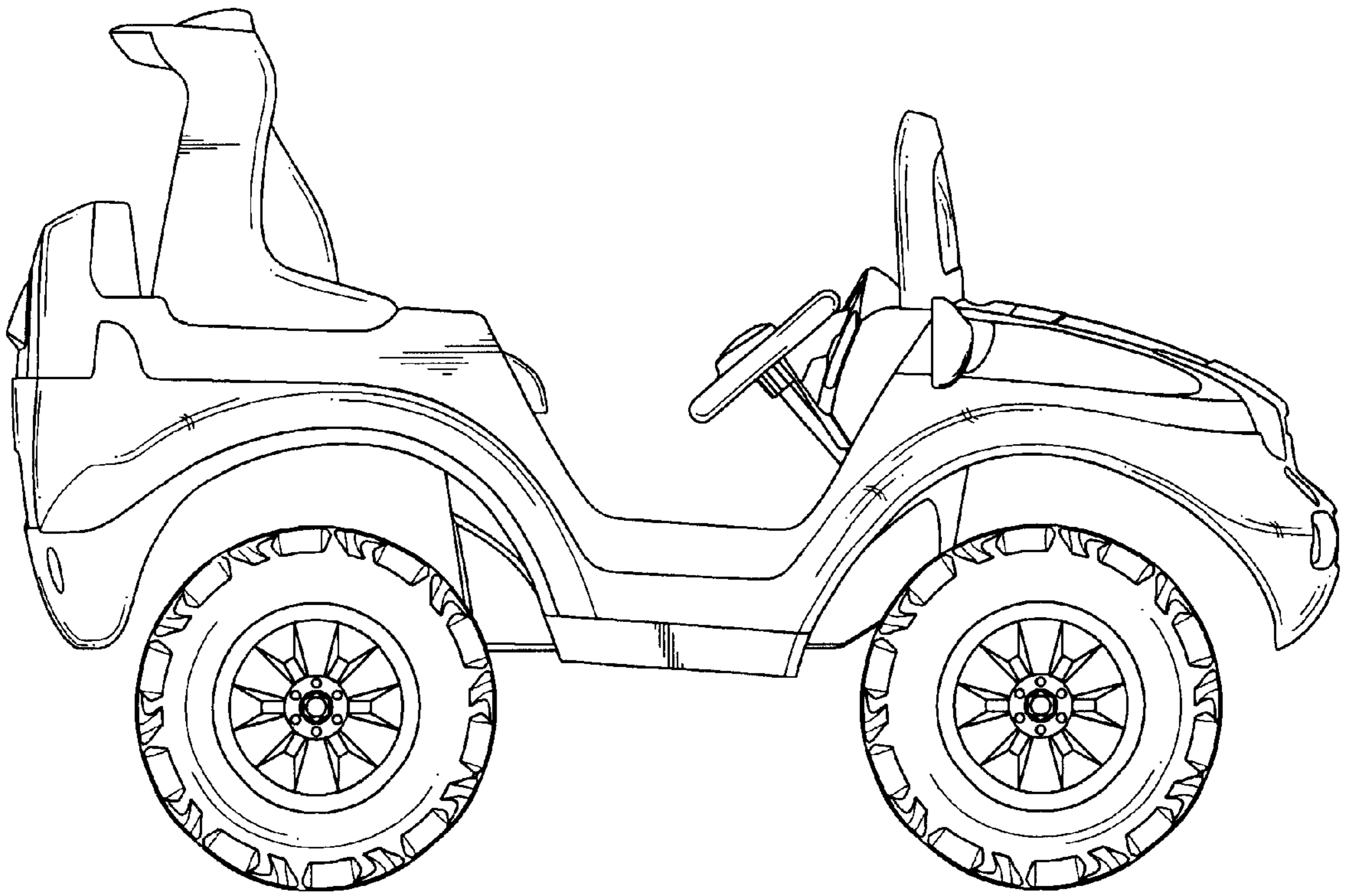
*Fig. 1*



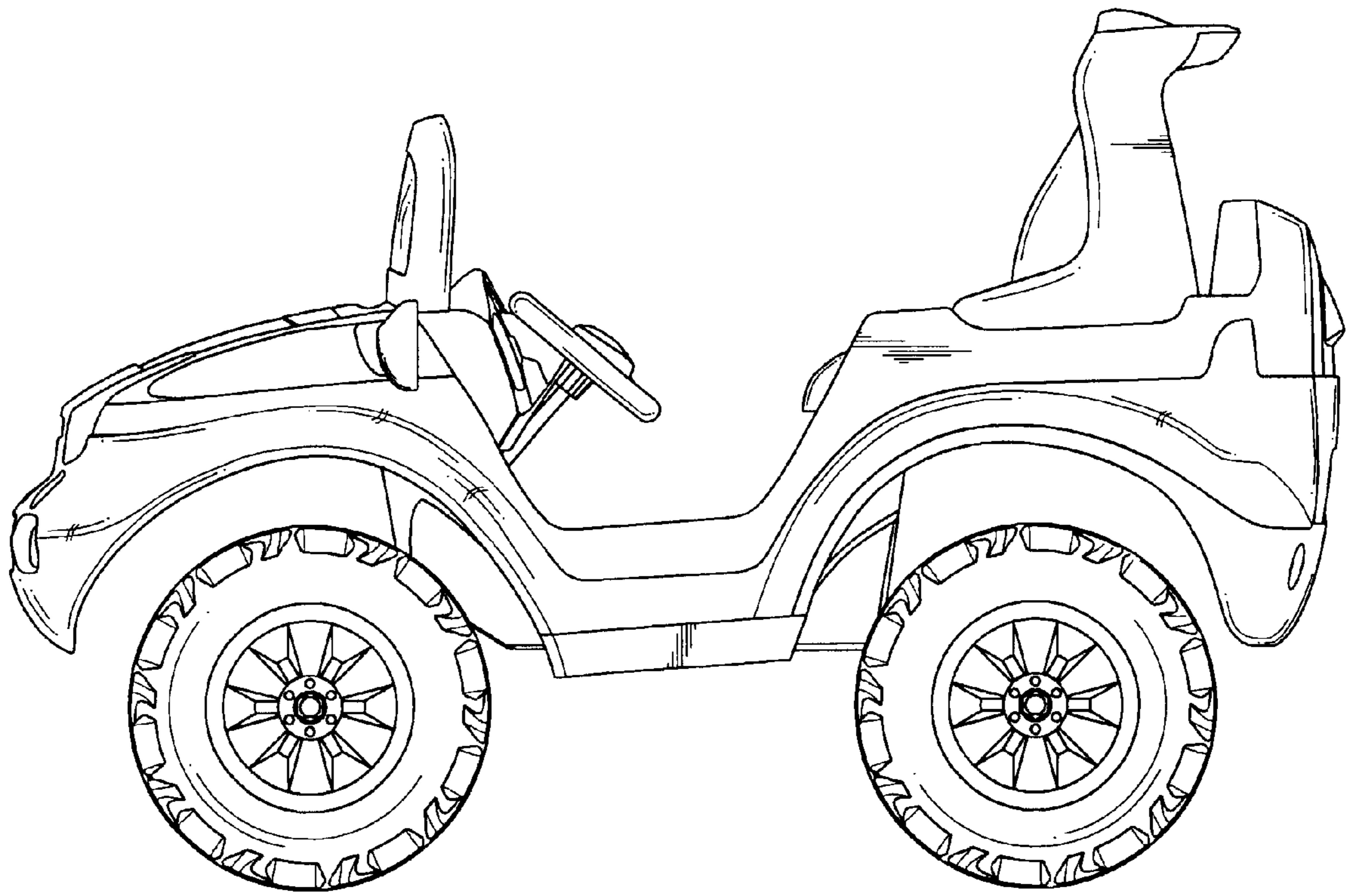
*Fig. 2*



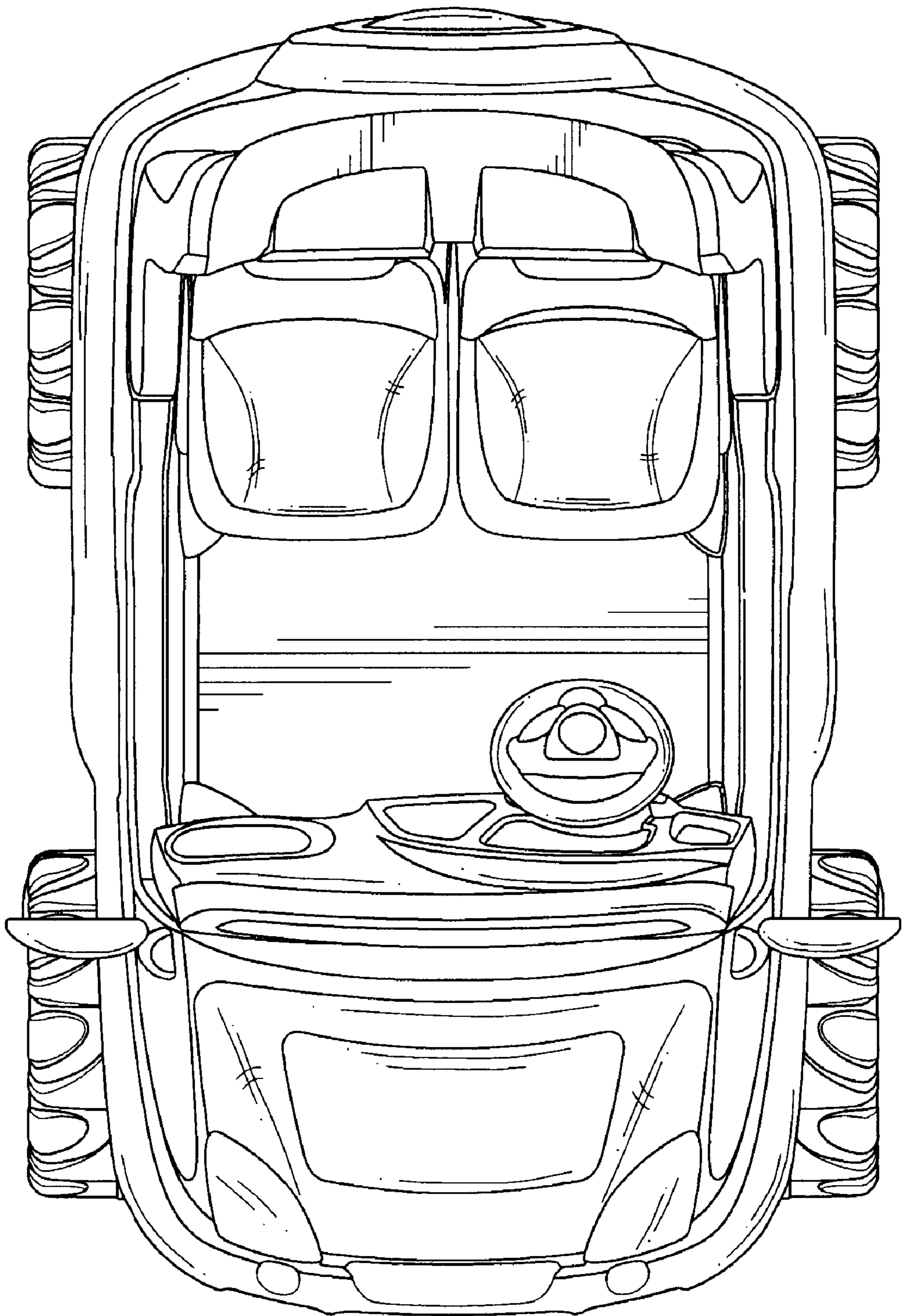
*Fig. 3*



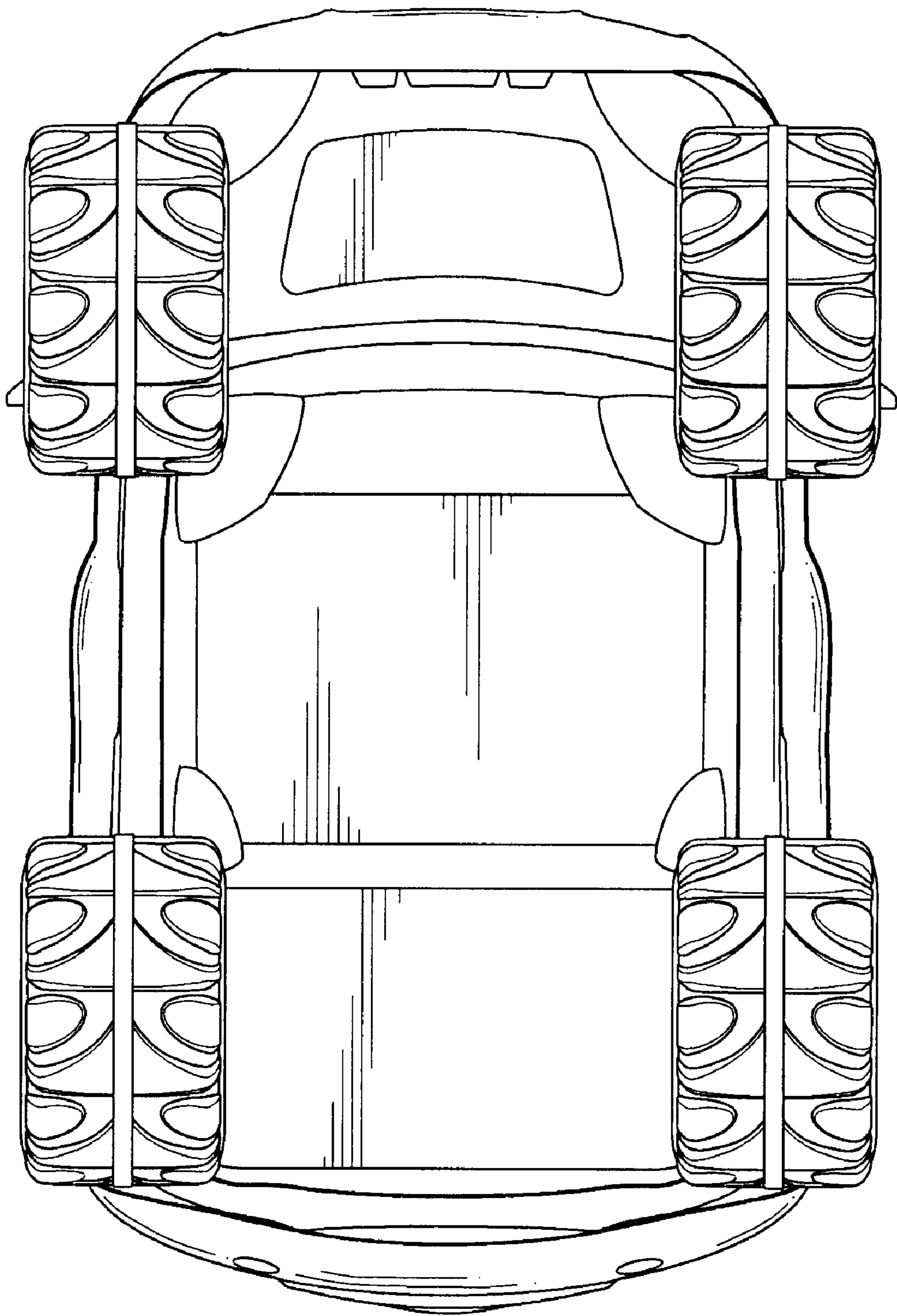
*Fig. 4*



*Fig. 5*



*Fig. 6*



*Fig. 7*