



US00D461509S

(12) **United States Design Patent**
Yu

(10) **Patent No.:** **US D461,509 S**

(45) **Date of Patent:** **** Aug. 13, 2002**

(54) **PROTECTIVE COVER WITH LIGHT FOR
HANDHELD ELECTRONIC GAME**

(75) **Inventor:** **Man-Chiu Yu, Kowloon (HK)**

(73) **Assignee:** **Storm Electronics Company Limited,
Kowloon (HK)**

(**) **Term:** **14 Years**

(21) **Appl. No.:** **29/146,311**

(22) **Filed:** **Aug. 8, 2001**

(30) **Foreign Application Priority Data**

Feb. 13, 2001 (HK) 0110204

(51) **LOC (7) Cl.** **21-01**

(52) **U.S. Cl.** **D21/333**

(58) **Field of Search** D21/324, 329,
D21/330, 333, 385; 273/148 B, 148 A;
463/1, 29-35, 46, 47, 48; D26/51, 52, 72,
24; 362/26, 86, 135, 257, 362, 365, 109;
D14/496

(56) **References Cited**

U.S. PATENT DOCUMENTS

4,589,659 A * 5/1986 Yokoi et al. 463/34

4,756,528 A * 7/1988 Umashankar 463/1
D316,454 S * 4/1991 Tortola et al. D26/24
5,130,907 A * 7/1992 Tortola et al. 362/109
5,165,779 A * 11/1992 Tortola et al. 362/109
5,217,295 A * 6/1993 Tortola et al. 273/148 B
D341,855 S * 11/1993 Tortola et al. D21/385
5,325,280 A * 6/1994 Tortola et al. 363/23
D416,948 S * 11/1999 Soga D21/330

* cited by examiner

Primary Examiner—Prabhakar Deshmukh

(74) *Attorney, Agent, or Firm*—Alix, Yale & Ristas, LLP

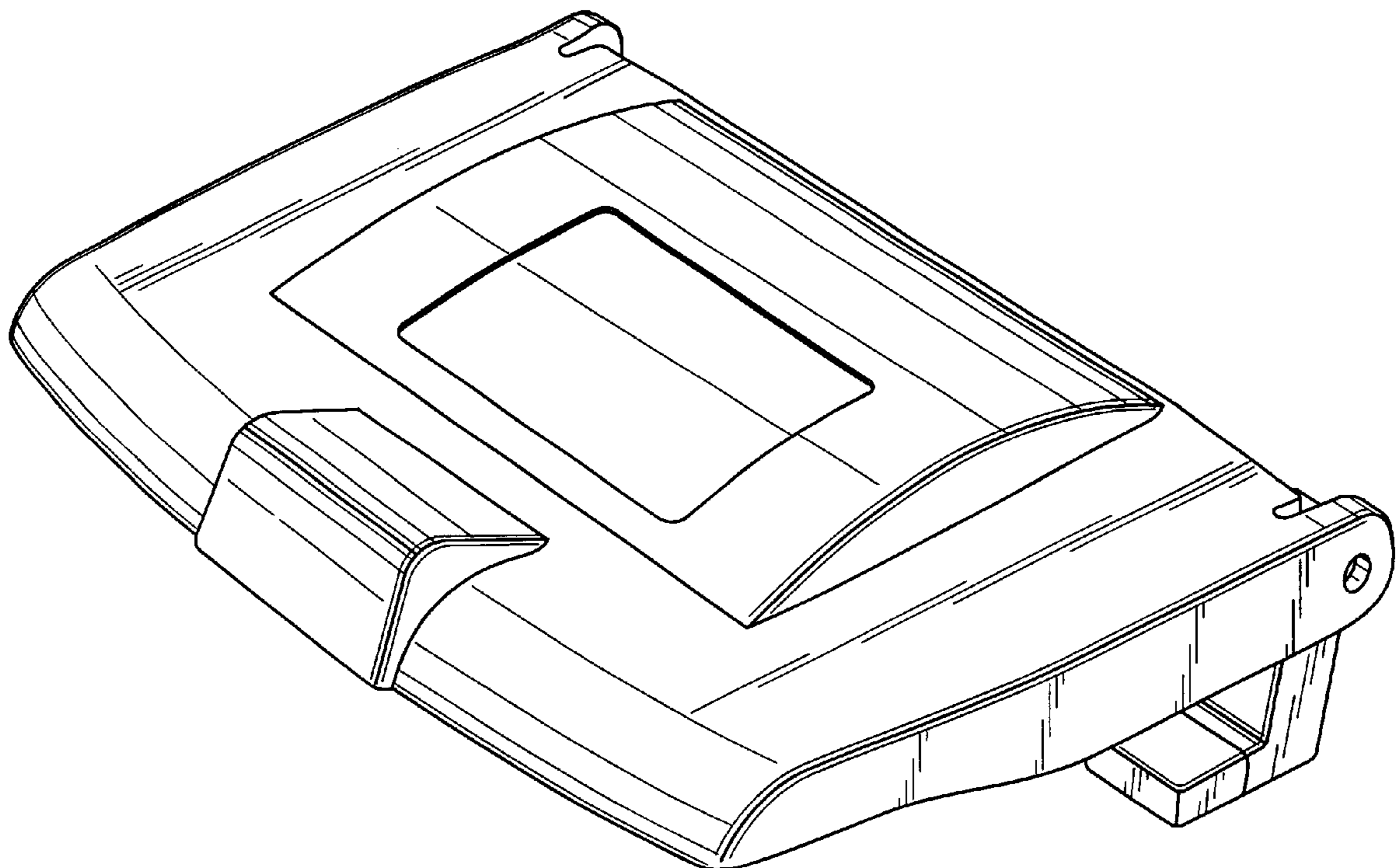
(57) **CLAIM**

The ornamental design for a protective cover with light for handheld electronic game, as shown and described.

DESCRIPTION

FIG. 1 is a perspective view of a protector cover with light for handheld electronic game showing my new design;
FIG. 2 is a top plan view thereof;
FIG. 3 is a rear elevational view thereof;
FIG. 4 is a left side elevational view thereof;
FIG. 5 is a right side elevational view thereof;
FIG. 6 is a bottom plan view thereof; and,
FIG. 7 is a front elevational view thereof.

1 Claim, 4 Drawing Sheets



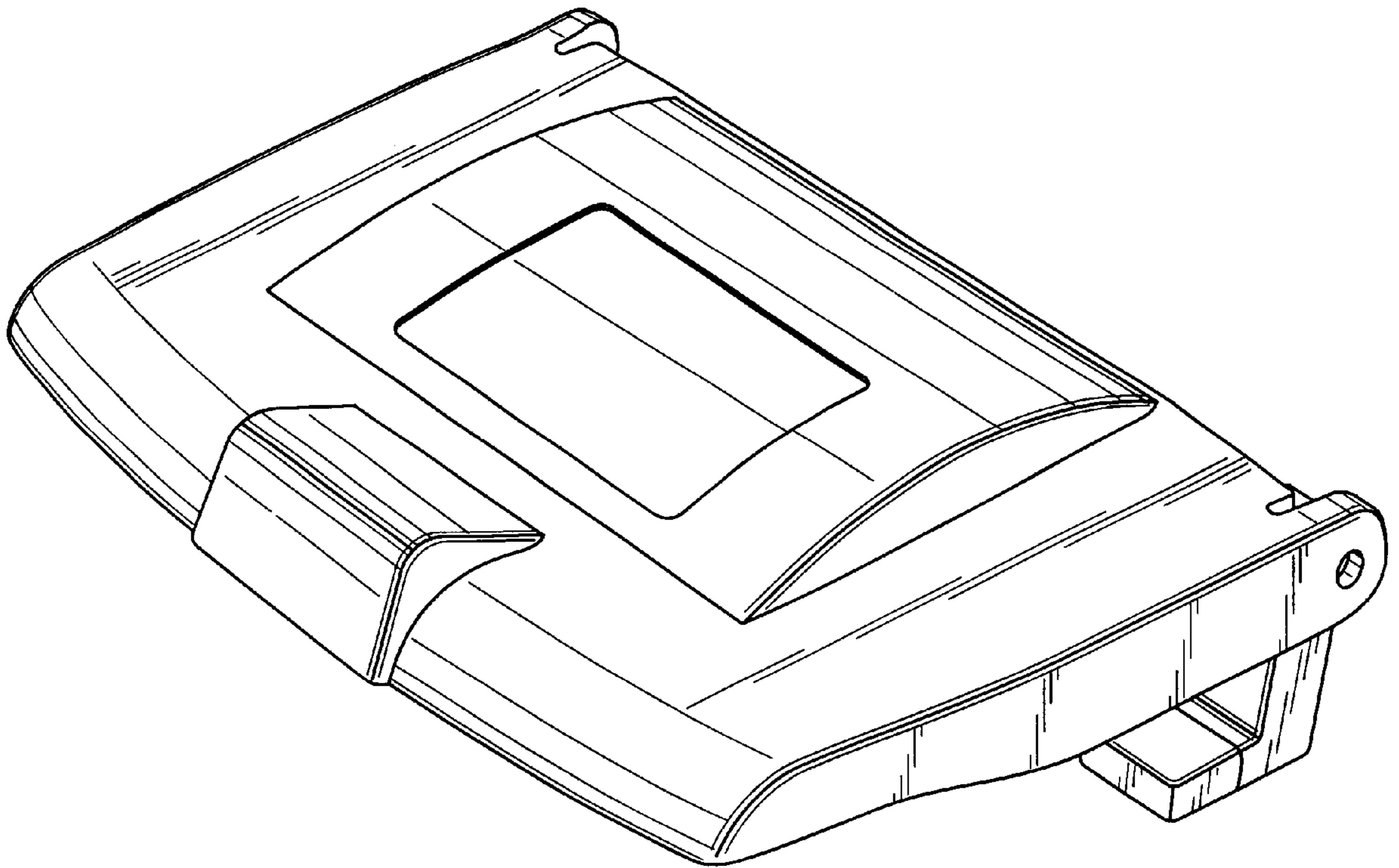


FIG. 1

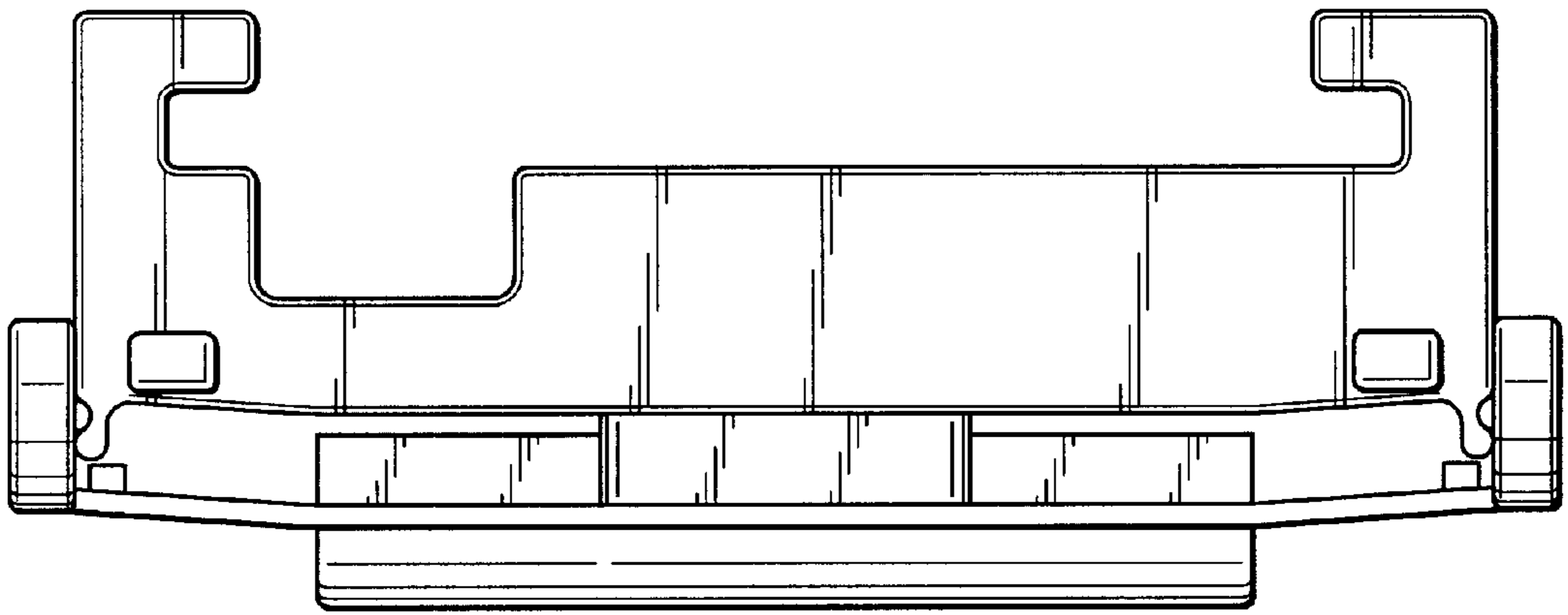


FIG. 3

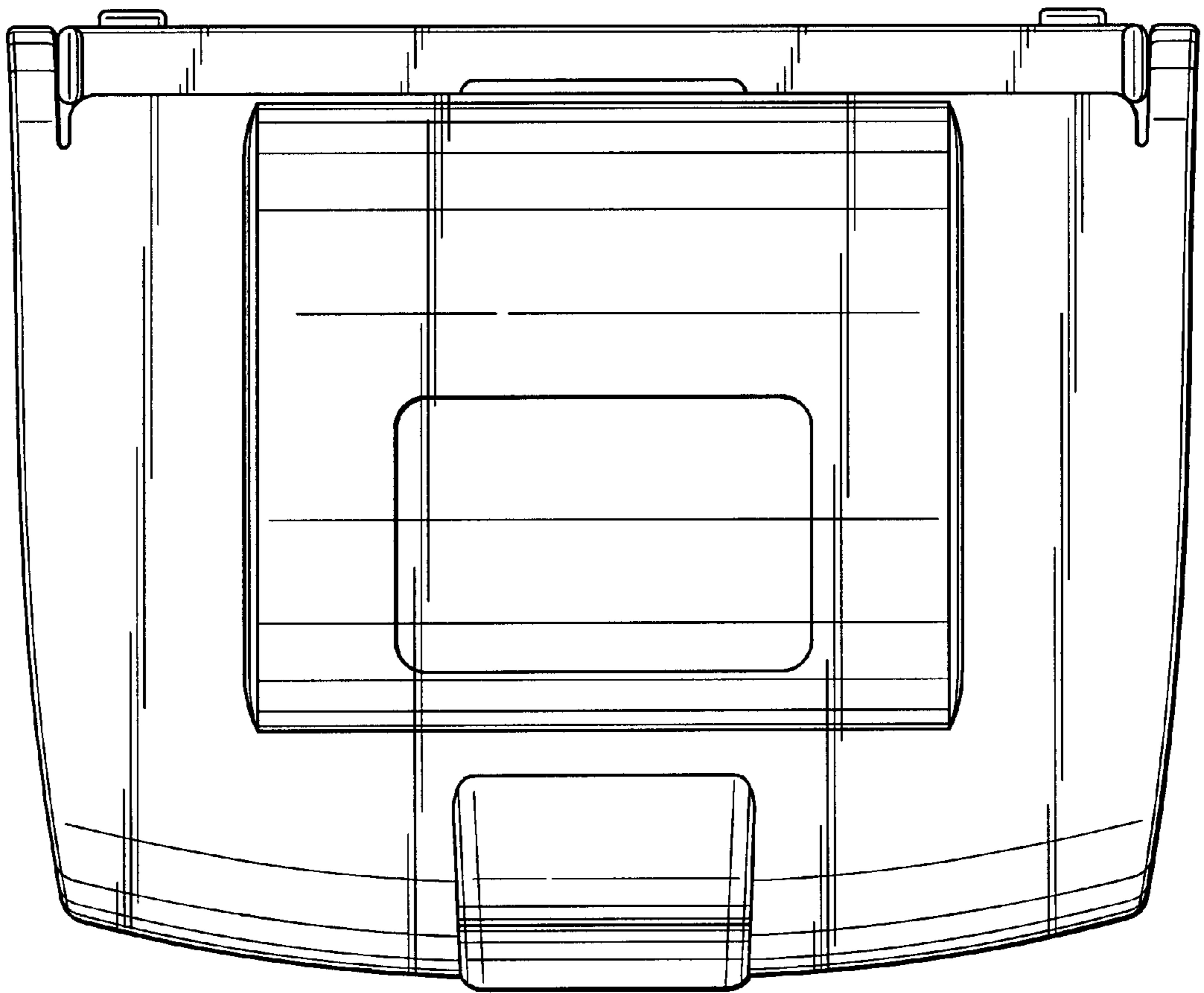


FIG. 2

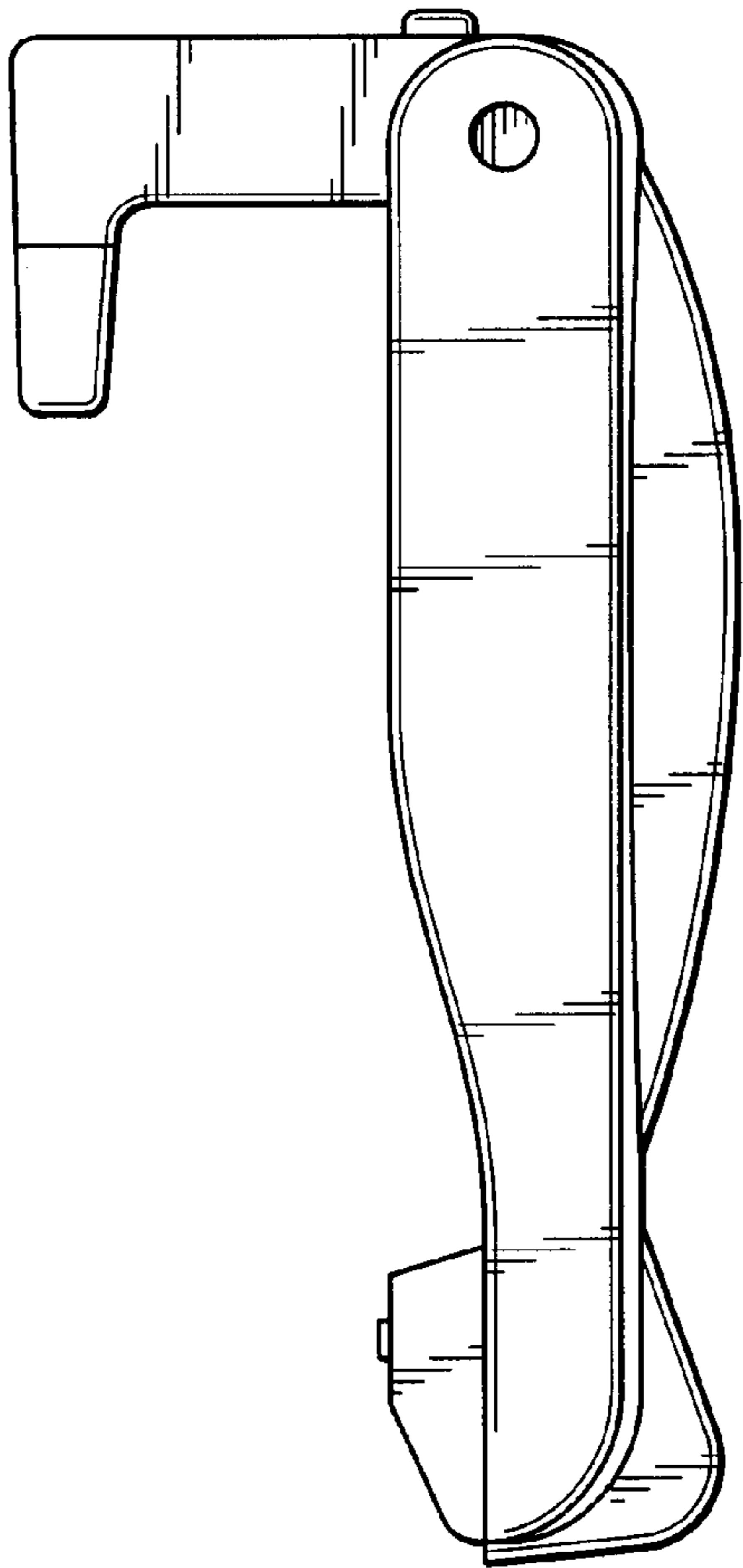


FIG. 4

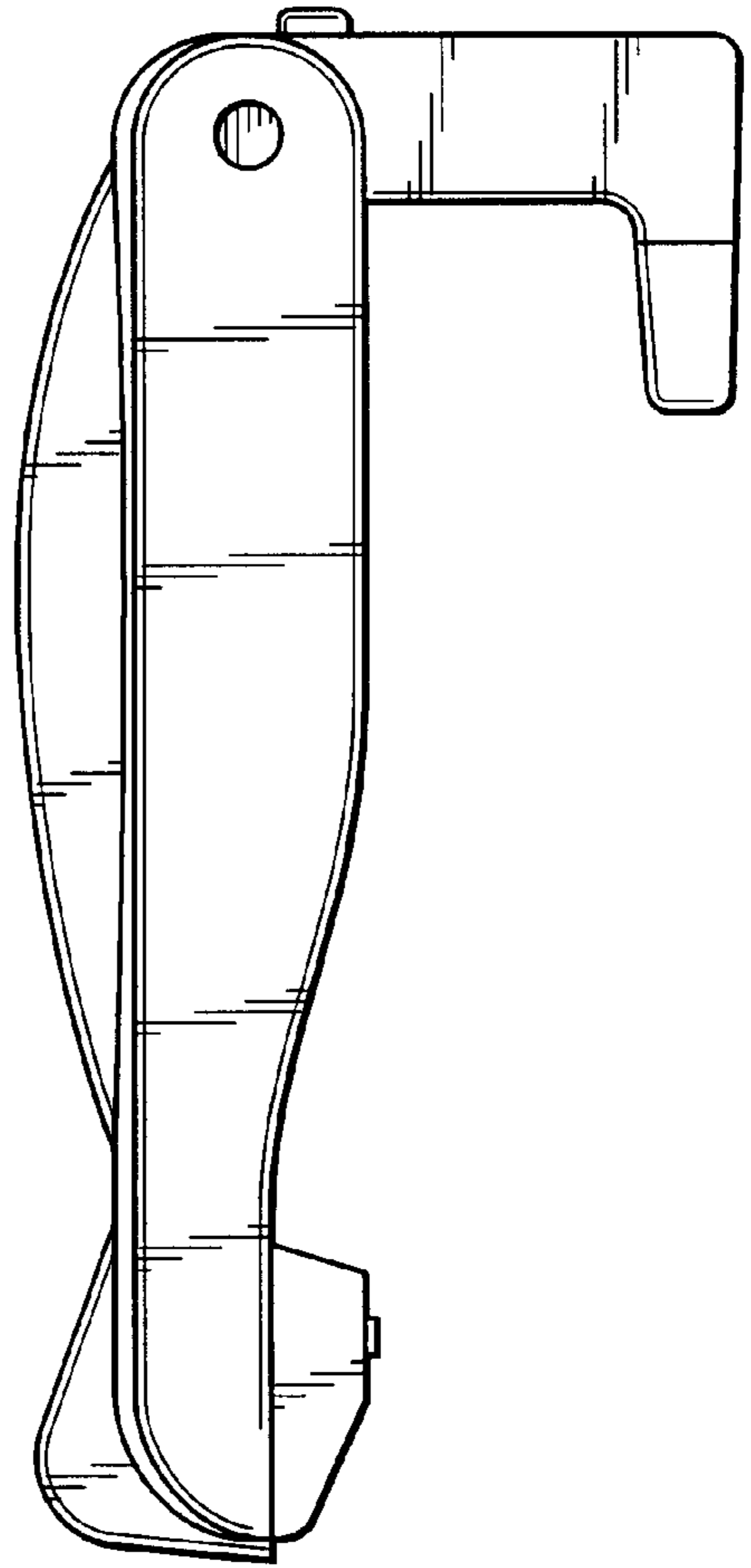


FIG. 5

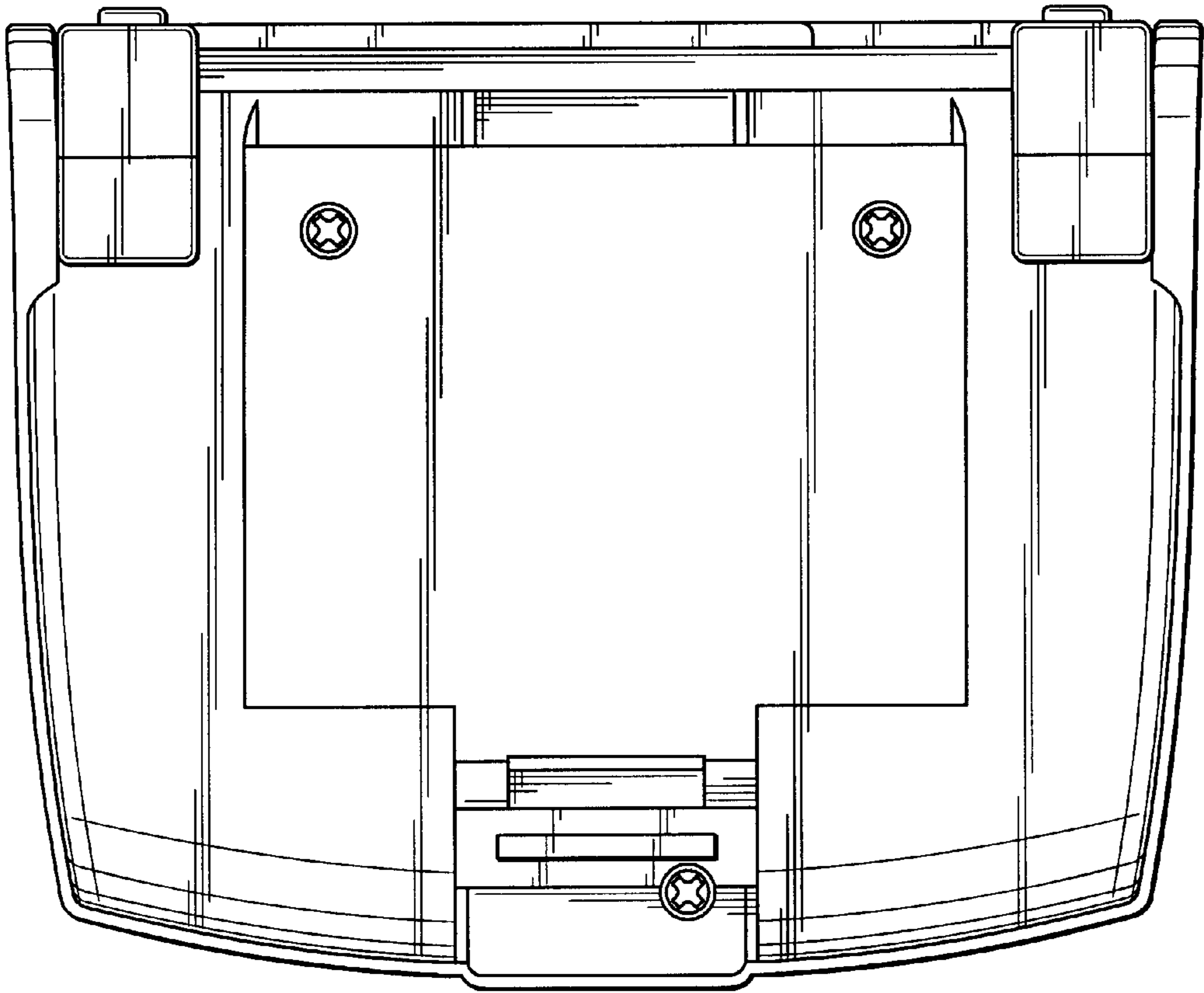


FIG. 6

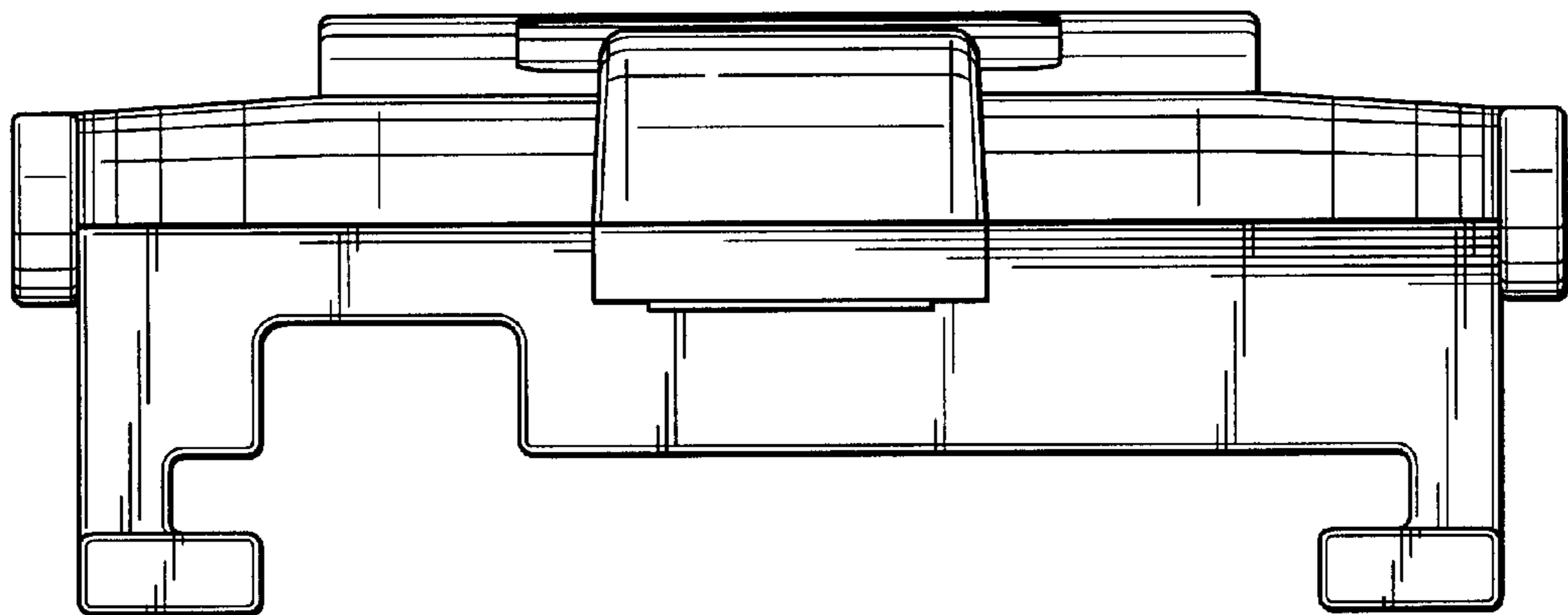


FIG. 7